



US00D680843S

(12) **United States Design Patent**
Onello et al.

(10) **Patent No.:** **US D680,843 S**

(45) **Date of Patent:** **** Apr. 30, 2013**

(54) **PORTABLE WORK HOLDING DEVICE**

(75) Inventors: **Timothy Scott Onello**, Murfreesboro, TN (US); **Charles Weber**, Onalaska, WI (US)

(73) Assignee: **Walter Meier (Manufacturing) Inc.**, La Vergne, TN (US)

(**) Term: **14 Years**

(21) Appl. No.: **29/406,958**

(22) Filed: **Nov. 21, 2011**

(51) **LOC (9) Cl.** **08-05**

(52) **U.S. Cl.**
USPC **D8/74**

(58) **Field of Classification Search** D8/71-74,
D8/394, 59; 248/62, 63, 72, 74.1, 689, 124.2;
81/487; 269/3, 4, 6, 143, 165, 240, 243,
269/246-249, 254 R, 147-149; 29/256,
29/257, 276; D15/140; 408/103, 104-109;
D6/400

See application file for complete search history.

(56) **References Cited**

U.S. PATENT DOCUMENTS

D254,376	S	*	3/1980	Glomb et al.	D15/140
D282,143	S	*	1/1986	Tarquinio	D8/74
4,807,863	A	*	2/1989	Yang	269/247
4,971,301	A	*	11/1990	Yang	269/247
D333,963	S	*	3/1993	Goodman	D8/74
5,531,428	A	*	7/1996	Dembicks et al.	269/247
D406,036	S	*	2/1999	Flachslaender et al.	D8/74
6,361,034	B1	*	3/2002	Wolfe	269/247

D471,070	S	*	3/2003	Howell	D8/72
D484,018	S	*	12/2003	Boyer et al.	D8/74
D544,328	S	*	6/2007	Ranieri	D8/72
7,293,765	B2	*	11/2007	Hooper	269/246
D556,530	S	*	12/2007	Workman et al.	D8/72

* cited by examiner

Primary Examiner — David Muller

(74) *Attorney, Agent, or Firm* — Schiff Hardin LLP

(57) **CLAIM**

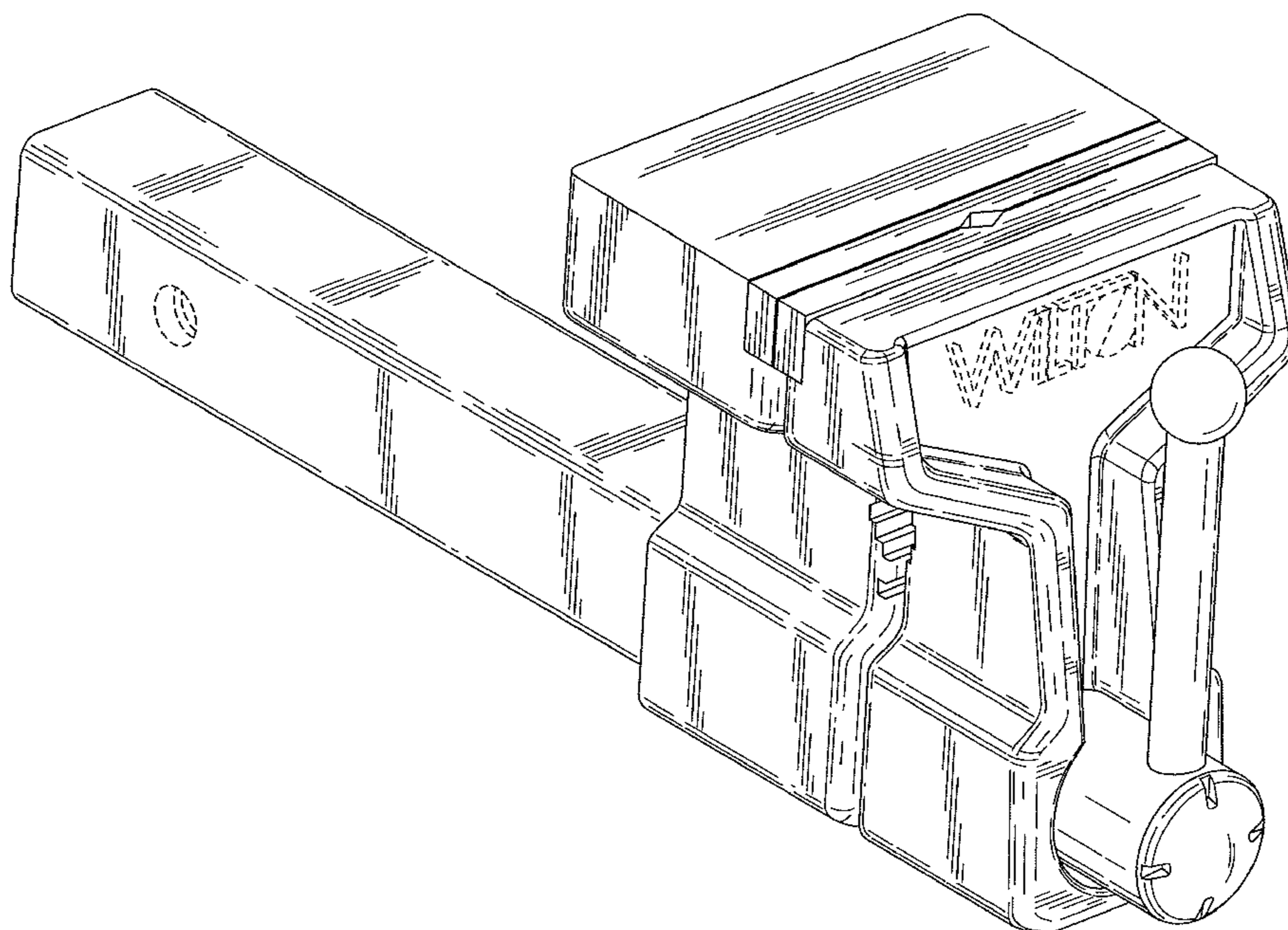
The ornamental design for a portable work holding device, as shown and described.

DESCRIPTION

FIG. 1 is a perspective view of a portable work holding device showing our new design;
 FIG. 2 is a front elevational view of the portable work holding device shown in FIG. 1;
 FIG. 3 is a rear elevational view of the portable work holding device shown in FIG. 1;
 FIG. 4 is a right side elevational view of the portable work holding device shown in FIG. 1;
 FIG. 5 is a left side elevational view of the portable work holding device shown in FIG. 1;
 FIG. 6 is a top plan view of the portable work holding device shown in FIG. 1; and,
 FIG. 7 is a bottom plan view of the portable work holding device shown in FIG. 1.

The features shown in broken lines depict environmental subject matter only and form no part of the claimed design. The claimed design is broken in two in FIGS. 4-7 to indicate truncation.

1 Claim, 7 Drawing Sheets



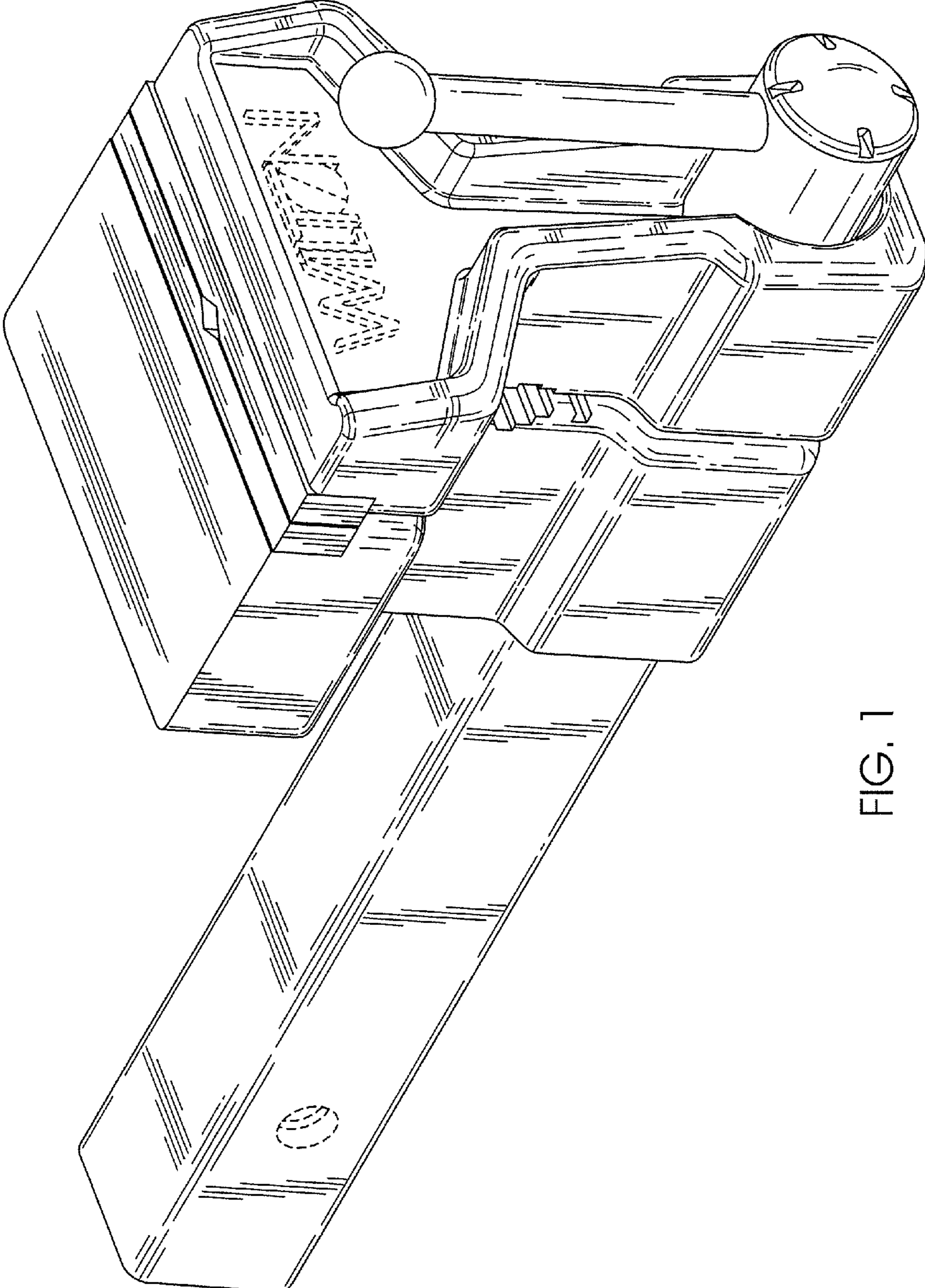


FIG. 1

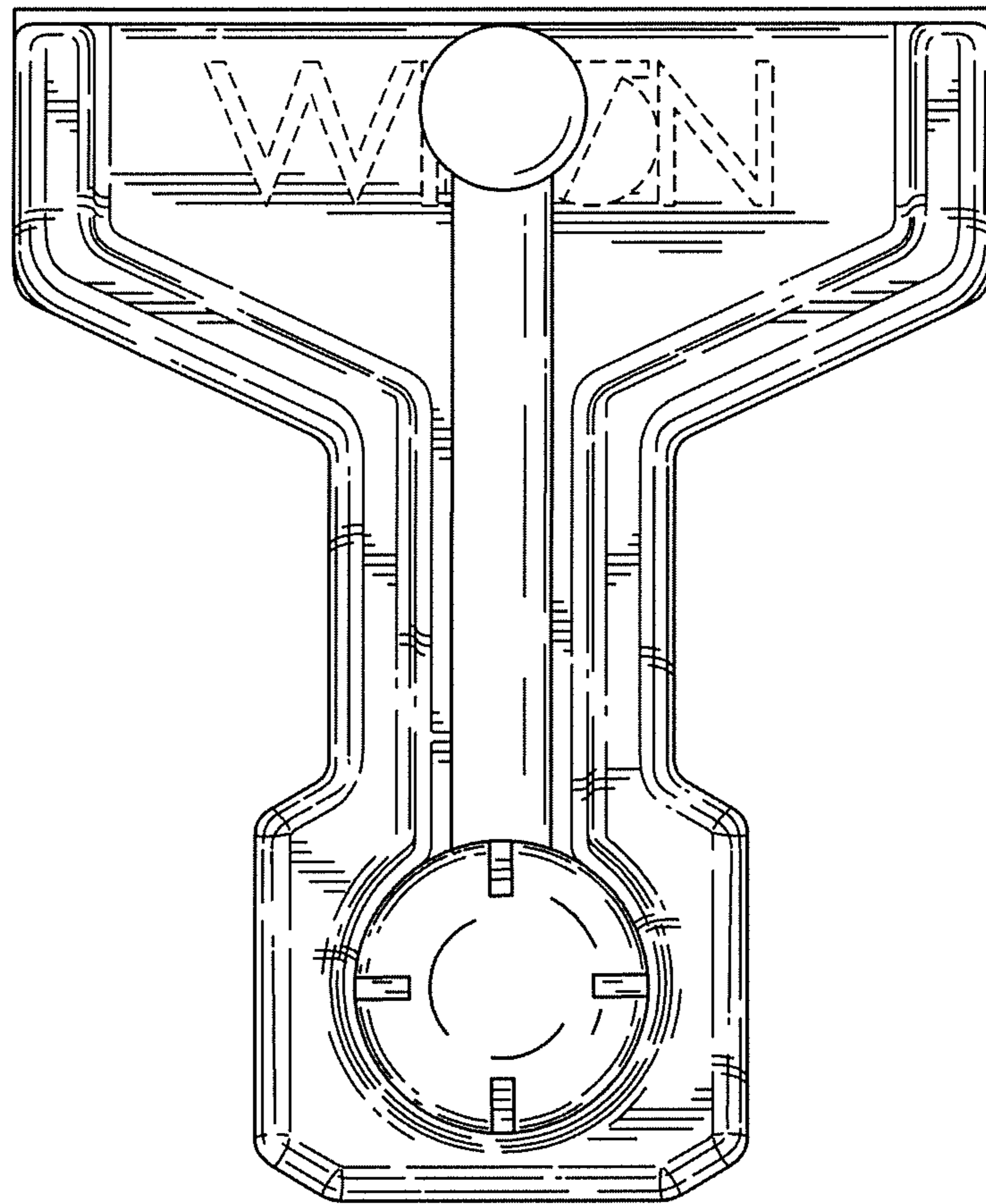


FIG. 2

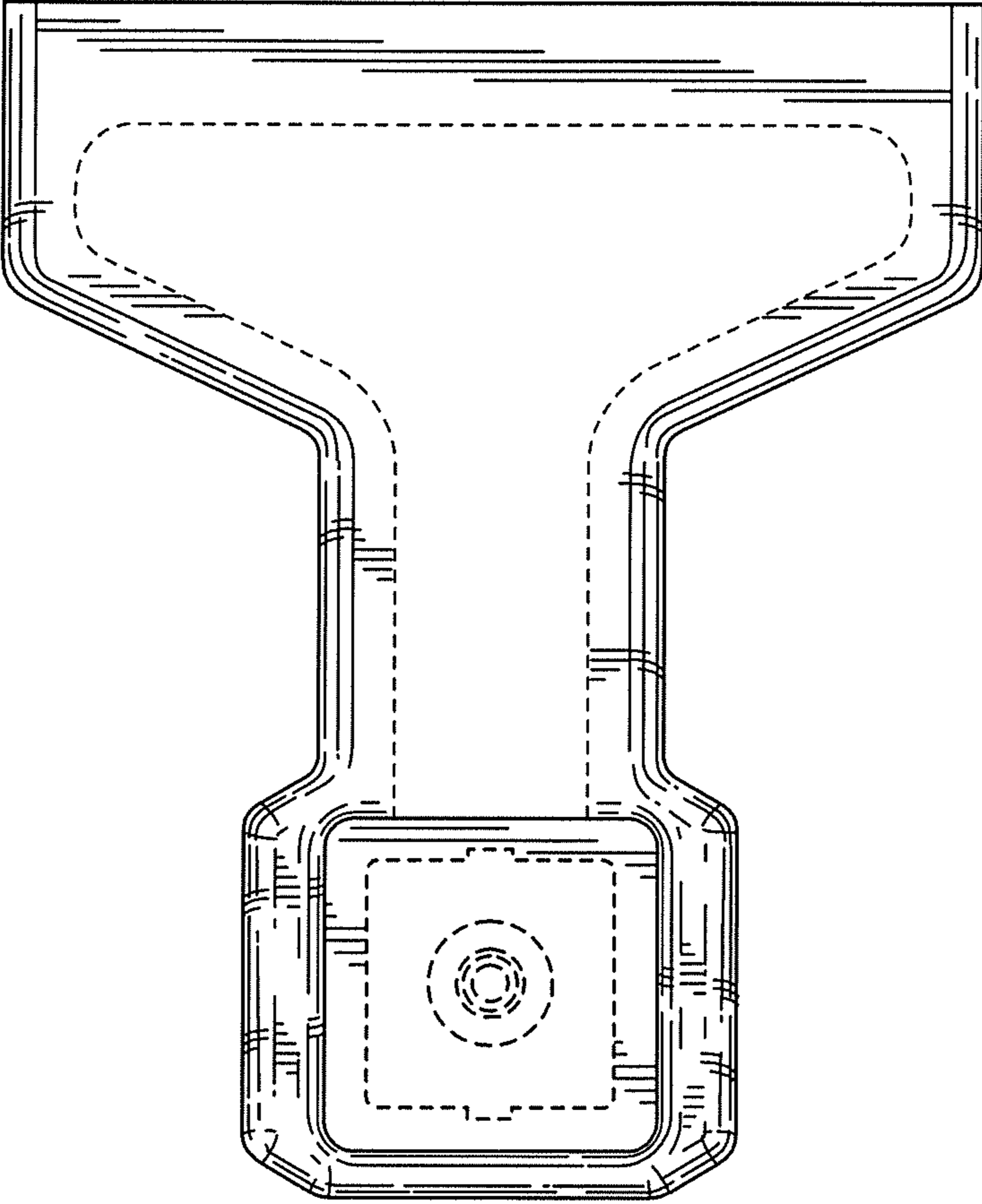


FIG. 3

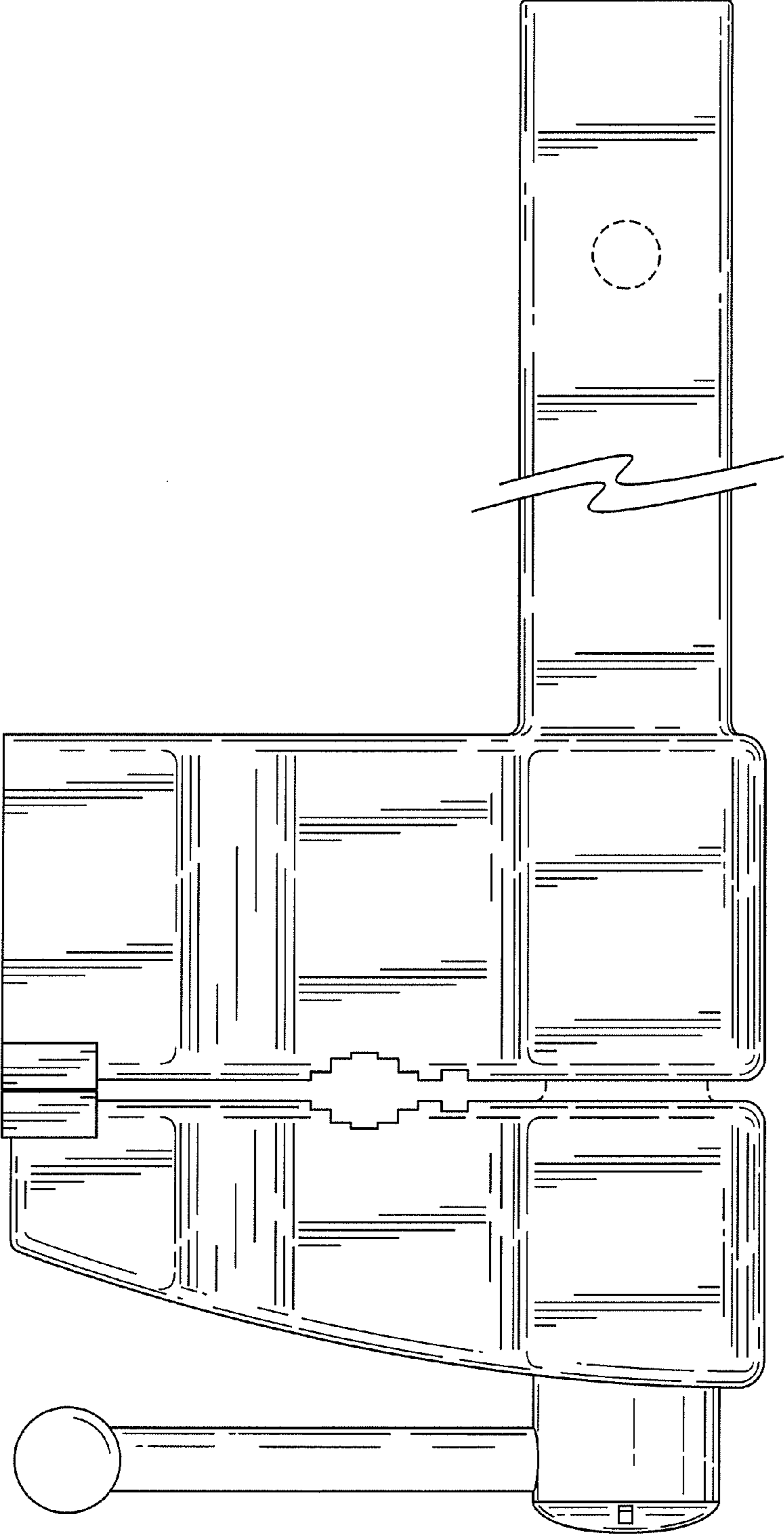


FIG. 4

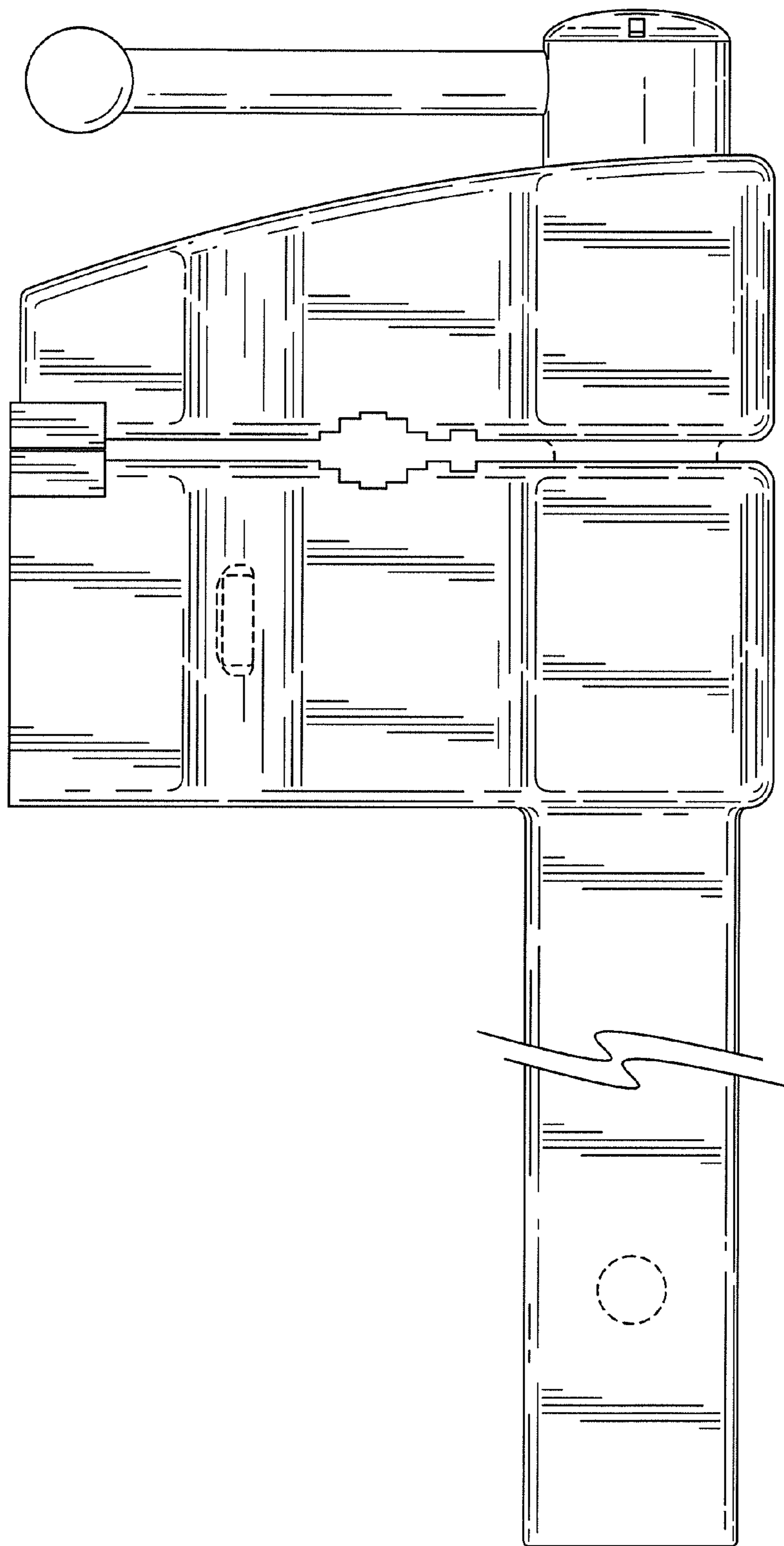


FIG. 5

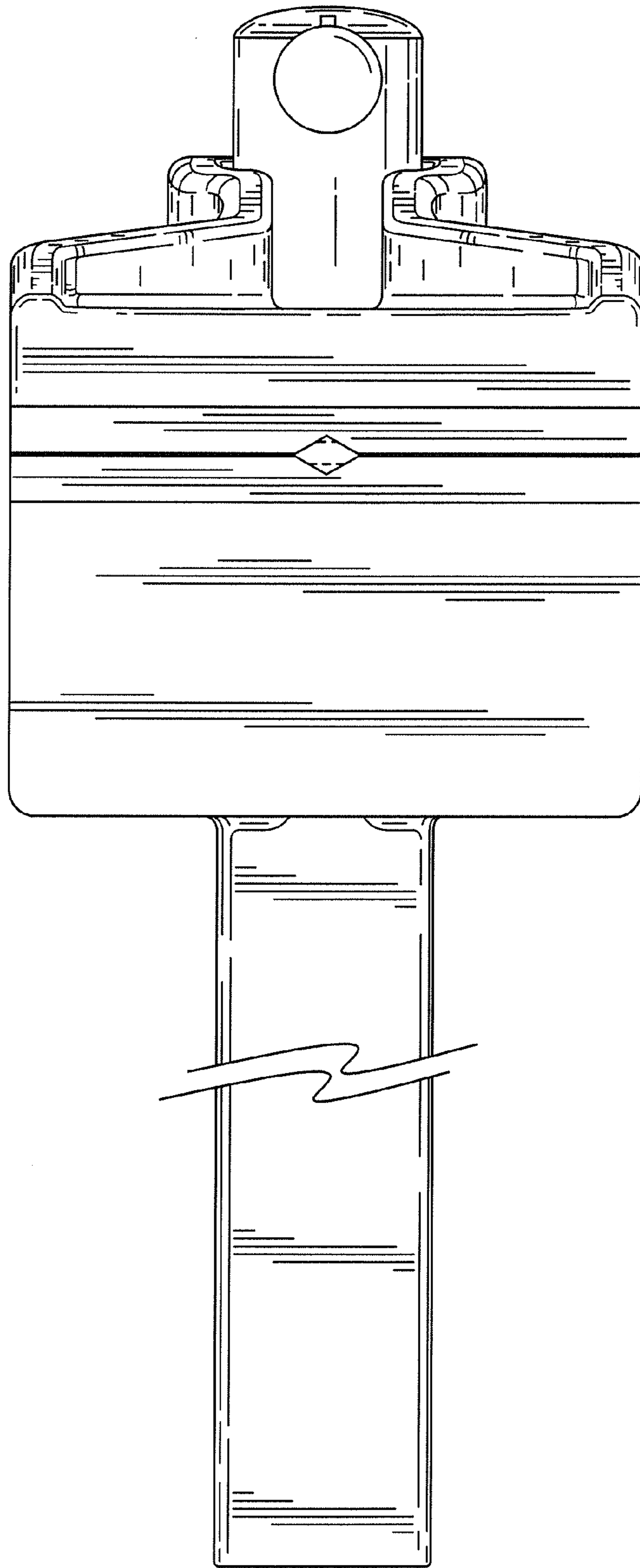


FIG. 6

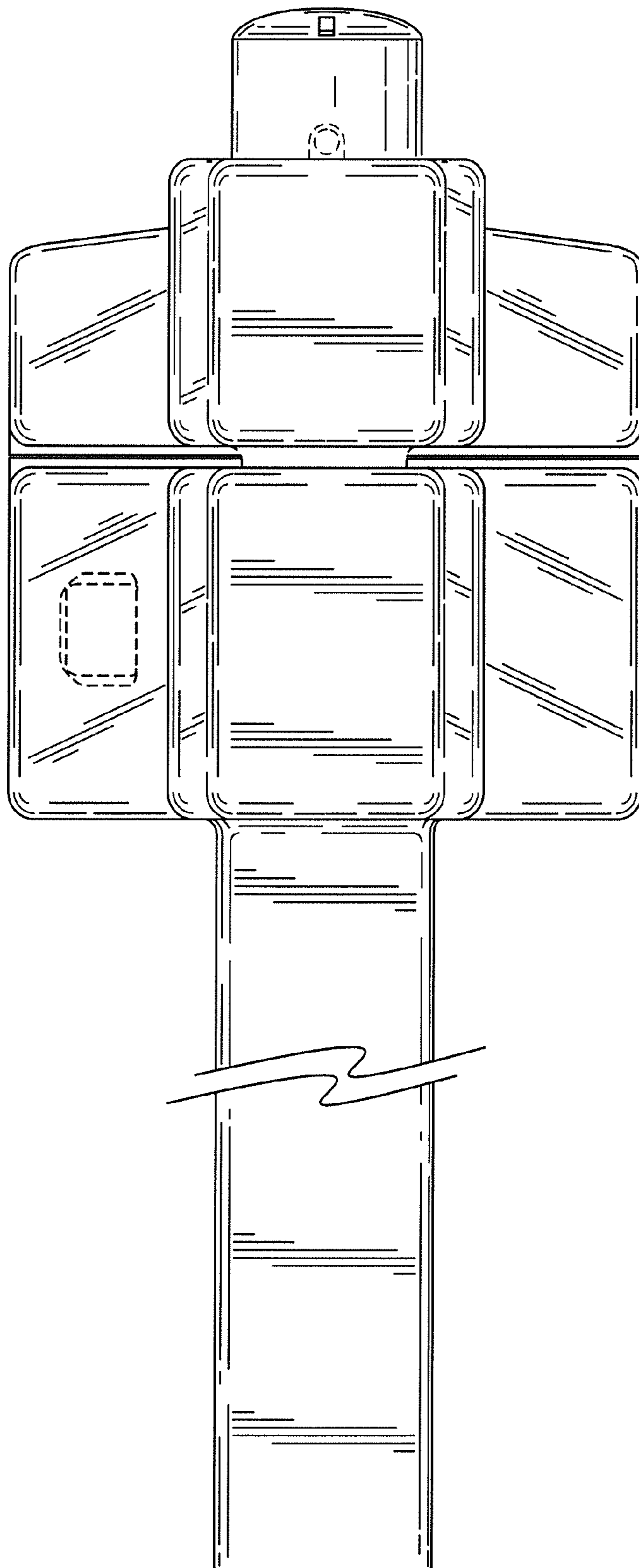


FIG. 7