



US00D680831S

(12) **United States Design Patent**
Zhang

(10) **Patent No.:** **US D680,831 S**

(45) **Date of Patent:** **** Apr. 30, 2013**

(54) **SAW BLADE**

(75) Inventor: **Xiaofeng Zhang**, Nanjing (CN)

(73) Assignee: **Chervon (HK) Limited**, Hong Kong (HK)

(**) Term: **14 Years**

(21) Appl. No.: **29/422,593**

(22) Filed: **May 22, 2012**

(30) **Foreign Application Priority Data**

Nov. 23, 2011 (CN) 2011 3 0434139

(51) **LOC (9) Cl.** **08-03**

(52) **U.S. Cl.**
USPC **D8/20**

(58) **Field of Classification Search** D8/5, 16,
D8/18-20, 64, 66, 70, 90-105; D15/127,
D15/133, 134, 138, 139; D22/117, 118;
D24/146, 147; 7/118, 148, 149; 30/142,
30/144, 165, 166.3, 272.1, 275.4, 276, 314,
30/320, 346, 346.5, 346.55, 346.56, 349,
30/351, 355-357; 83/663, 676, 835, 846,
83/854

See application file for complete search history.

(56) **References Cited**

U.S. PATENT DOCUMENTS

D31,716	S	*	10/1899	Bolton	D8/20
2,557,364	A	*	6/1951	Treace	D24/146
D187,977	S	*	5/1960	Pastoret	D8/19
D201,710	S	*	7/1965	Monek	D8/19
D285,900	S	*	9/1986	Chan	D8/105
D410,309	S	*	5/1999	Schmidt	D8/16
D412,230	S	*	7/1999	Schmidt	D8/16
D584,931	S	*	1/2009	Richardson	D8/19
2012/0144676	A1	*	6/2012	Davidian et al.	30/142

* cited by examiner

Primary Examiner — Garth Rademaker

(74) *Attorney, Agent, or Firm* — Greenberg Traurig, LLP

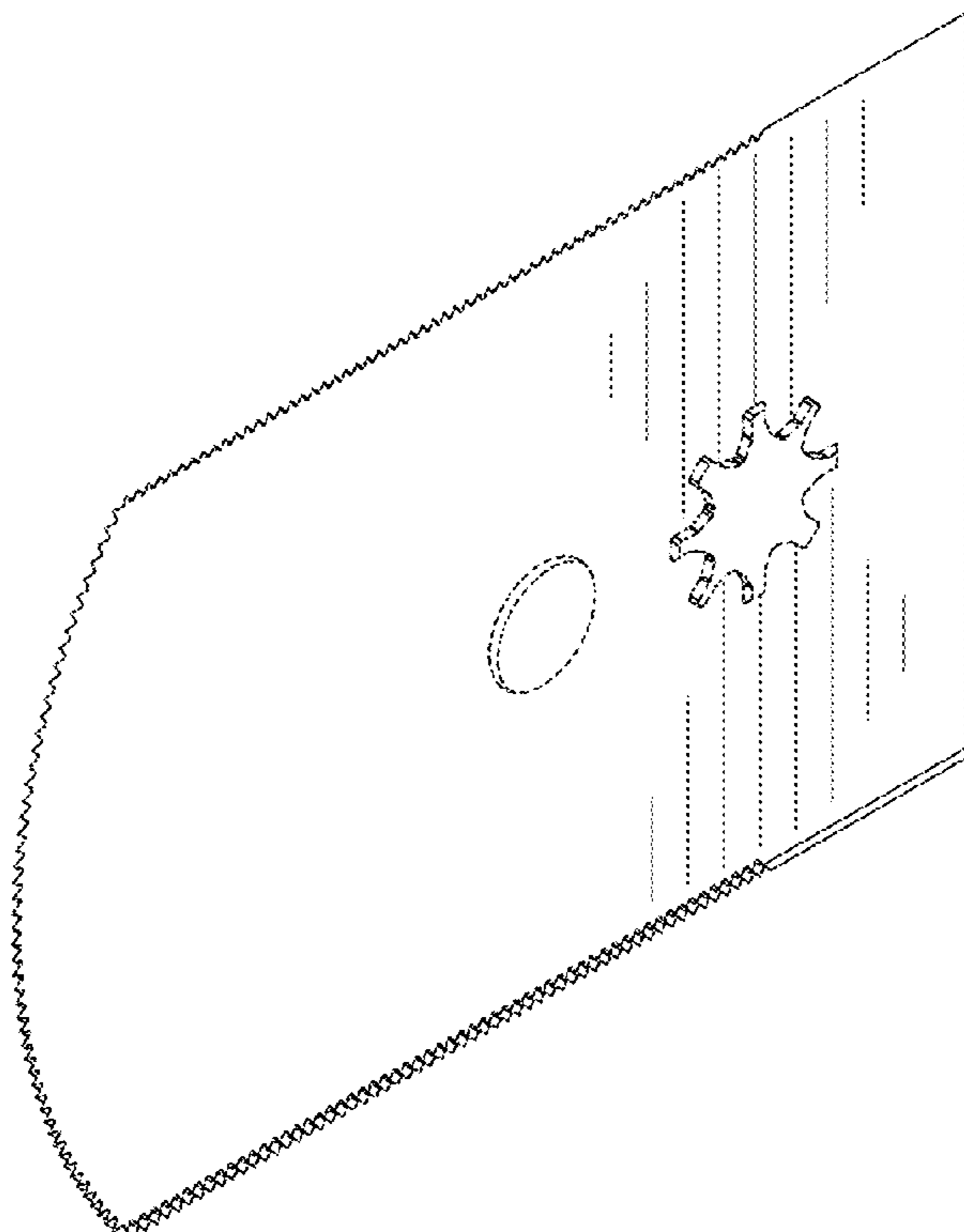
(57) **CLAIM**

What is claimed is the ornamental design for a saw blade, as shown and described.

DESCRIPTION

FIG. 1 is a front elevational view of a saw blade showing my new design, a back elevation view being identical thereto; FIG. 2 is a left side elevational view thereof; FIG. 3 is a right side elevational view thereof; FIG. 4 is a top plan view thereof, a bottom plan view being identical thereto; and, FIG. 5 is a perspective view thereof. The broken lines depict portions of the saw blade which form no part of the claimed design.

1 Claim, 5 Drawing Sheets



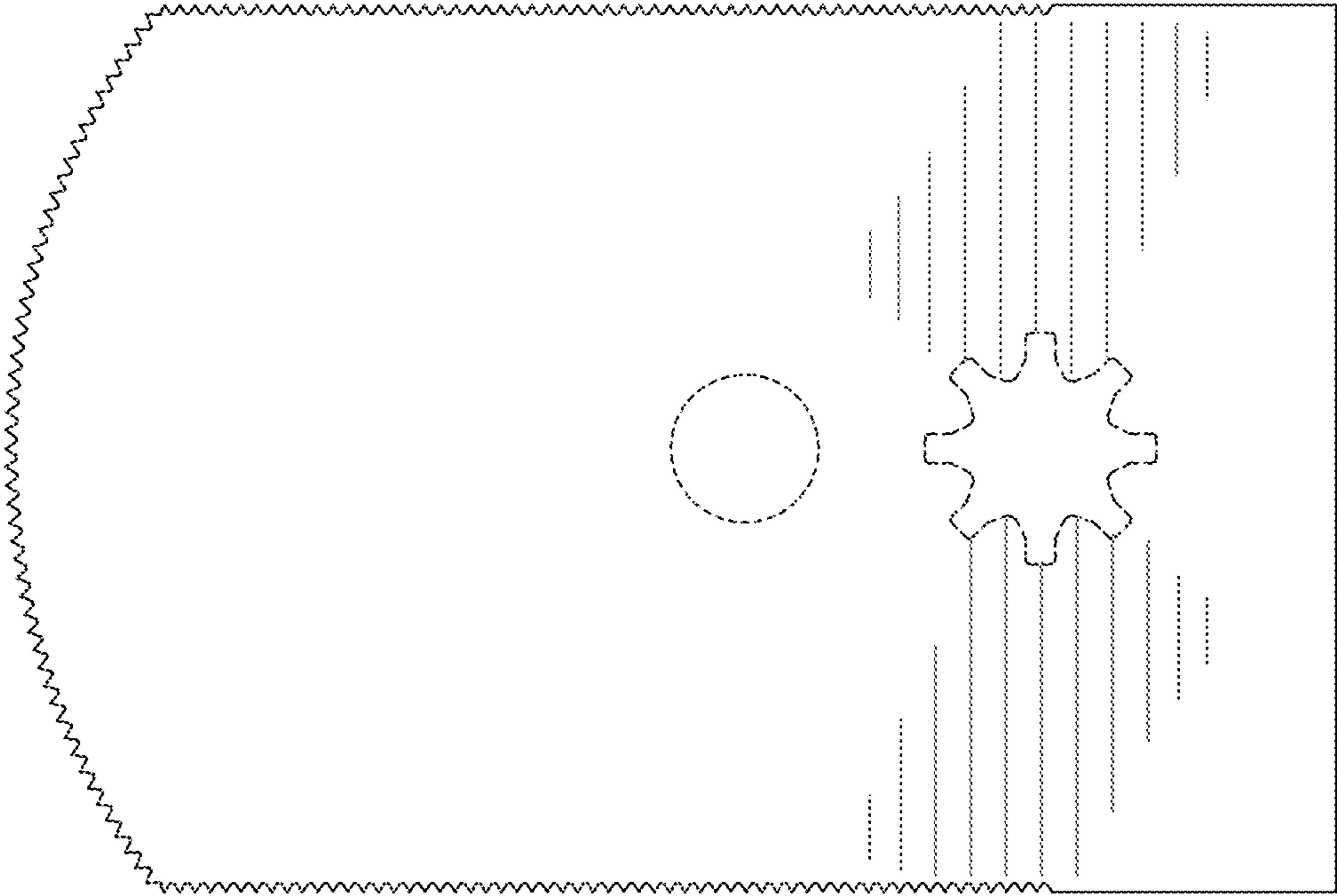


Fig. 1

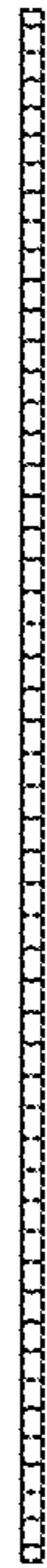


Fig. 2



Fig. 3



Fig. 4

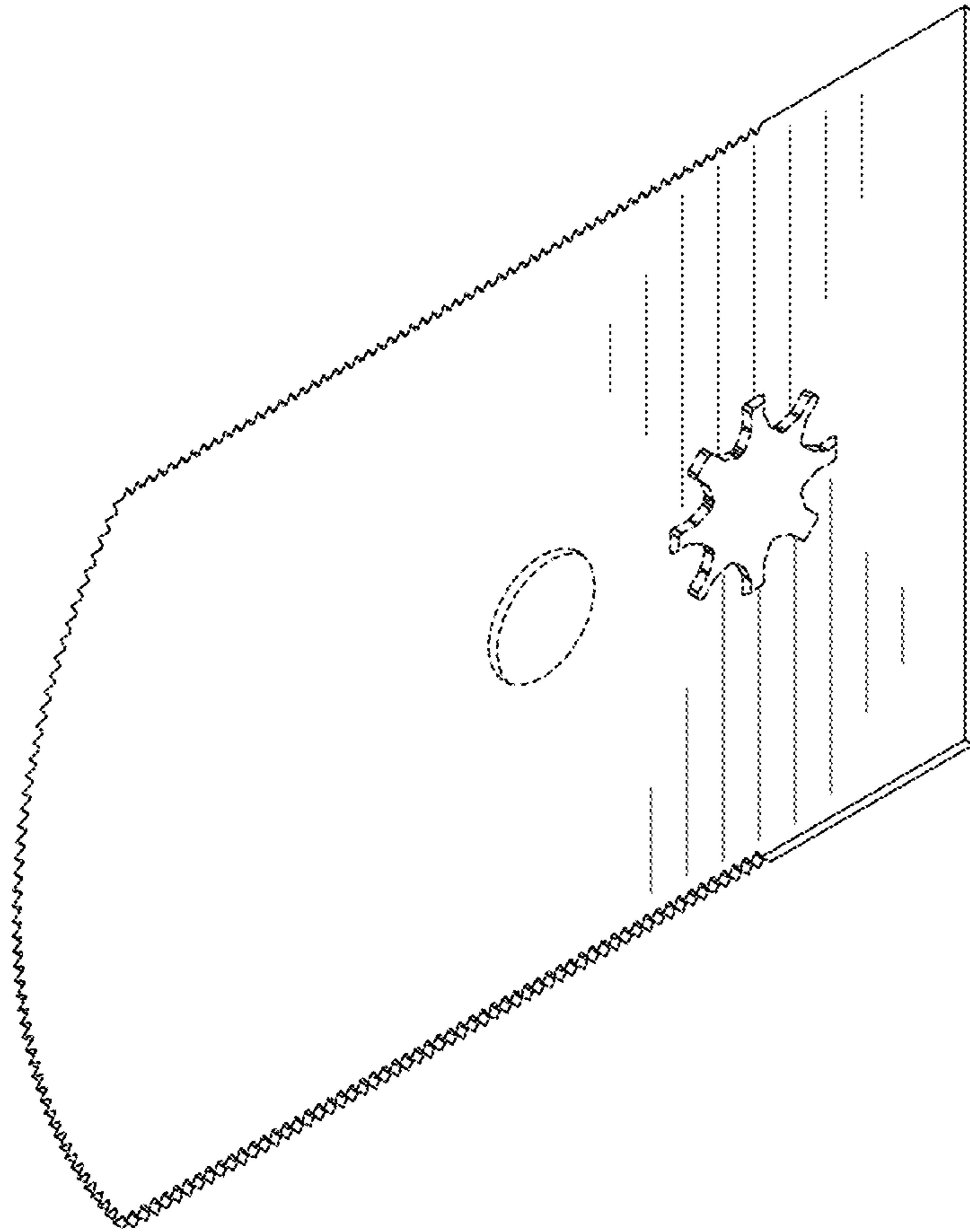


Fig. 5