



US00D680828S

(12) **United States Design Patent**
Decker

(10) **Patent No.:** **US D680,828 S**

(45) **Date of Patent:** **** Apr. 30, 2013**

(54) **BOTTLE CARRIER**

(56) **References Cited**

(75) Inventor: **James Decker**, Las Vegas, NV (US)

U.S. PATENT DOCUMENTS

(73) Assignee: **Eco Holdings, LLC**, Miami, FL (US)

2,365,914	A	*	12/1944	Stigler	206/168
D193,313	S	*	7/1962	Peca	D7/706
D195,152	S	*	4/1963	Angelakos	D7/706
D624,795	S	*	10/2010	Koeleman	D7/706

(**) Term: **14 Years**

* cited by examiner

(21) Appl. No.: **29/416,761**

Primary Examiner — Terry Wallace

(22) Filed: **Mar. 27, 2012**

(74) *Attorney, Agent, or Firm* — Laurence A. Greenberg;
Werner H. Stemer; Ralph E. Locher

(51) **LOC (9) Cl.** **06-04**

(57) **CLAIM**

The ornamental design for a bottle carrier, as shown and described.

(52) **U.S. Cl.**

DESCRIPTION

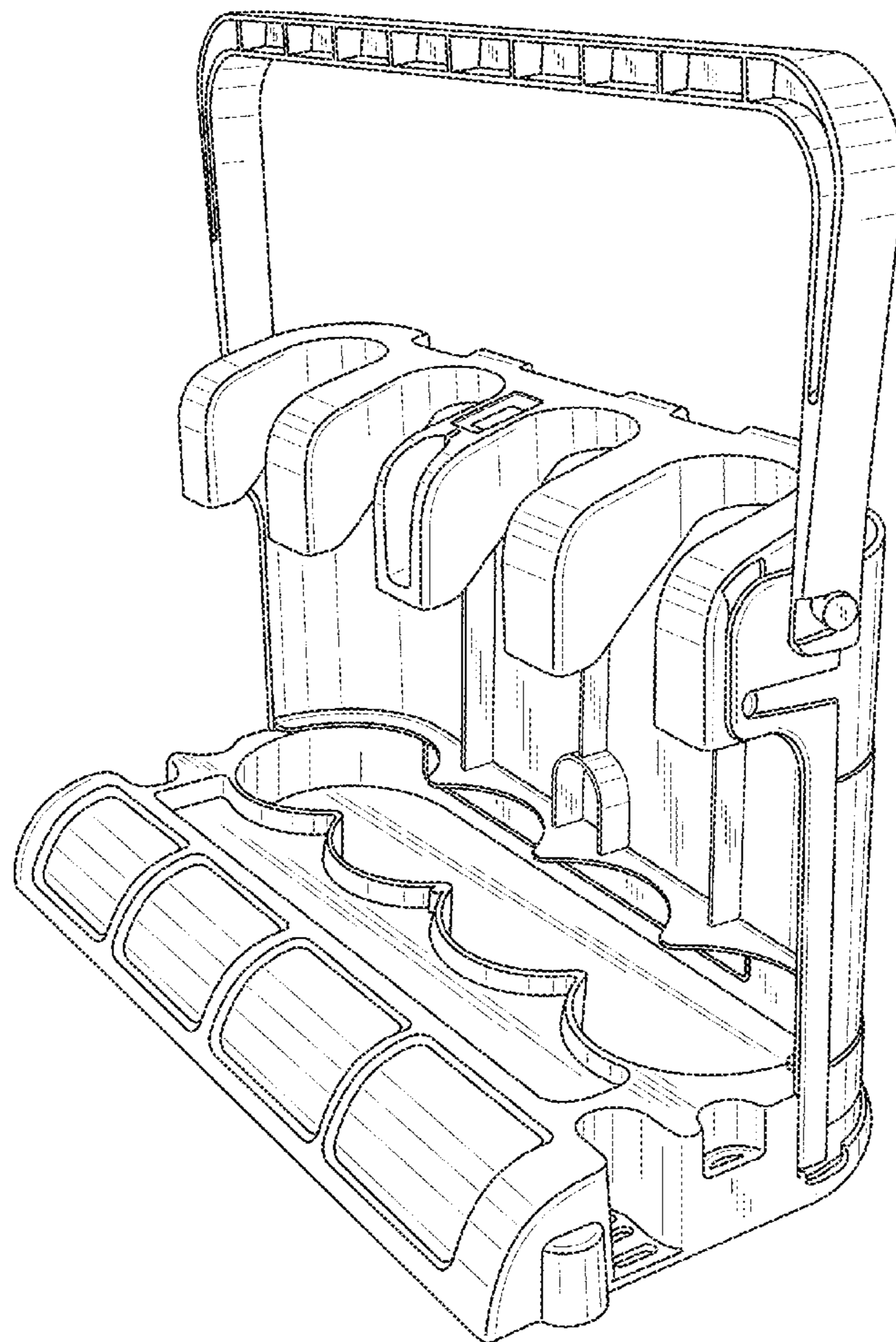
USPC **D7/705**

(58) **Field of Classification Search** D7/701–708;
211/74, 71.01, 70.6, 70.7, 113; 206/168

FIG. 1 is a front perspective view of the bottle carrier, showing my new design;
FIG. 2 is a front elevation view thereof;
FIG. 3 is a rear elevation view thereof; and,
FIG. 4 is a right-side perspective view, the left-side view being a mirror image thereof.

See application file for complete search history.

1 Claim, 4 Drawing Sheets



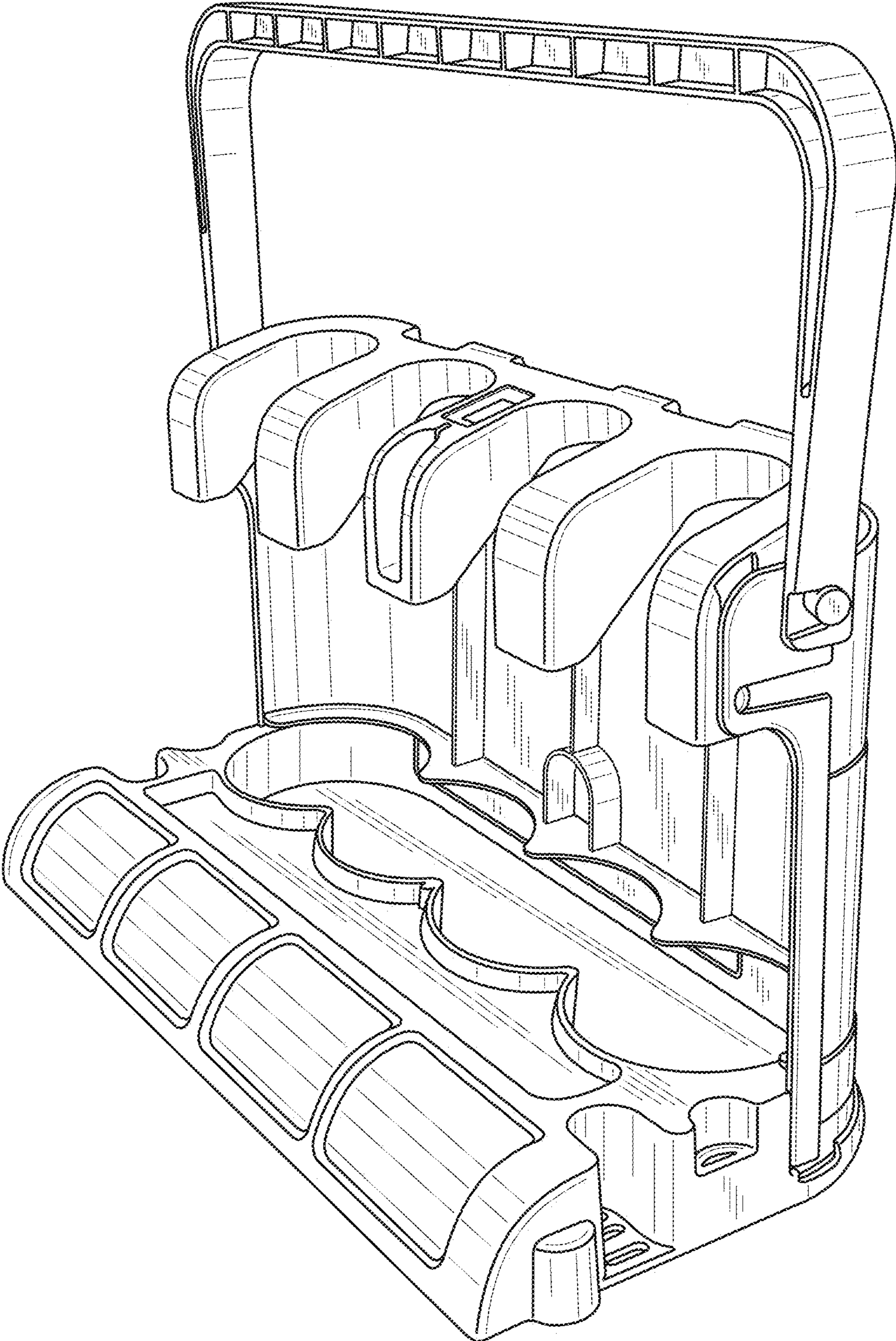


FIG. 1

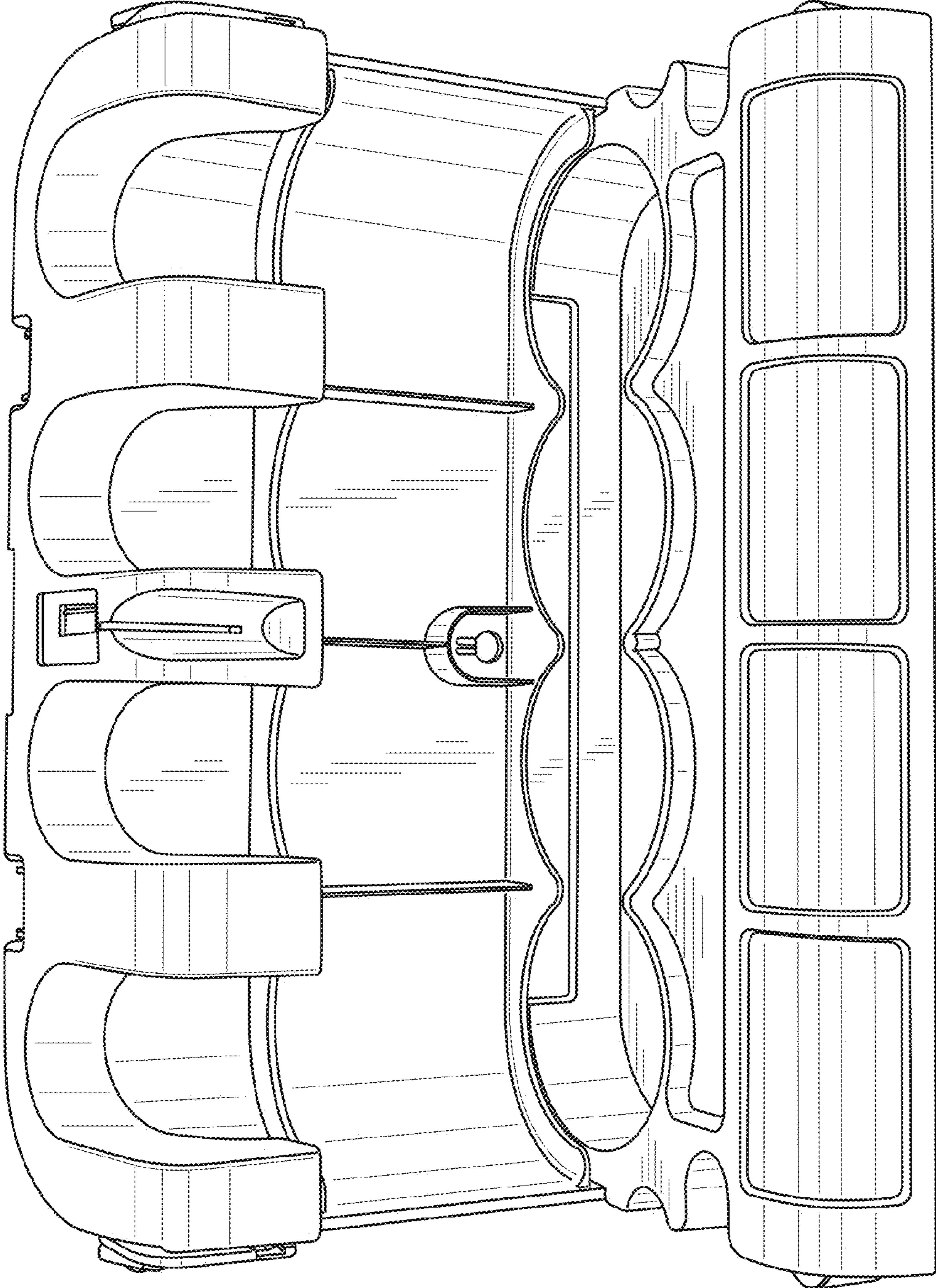


FIG. 2

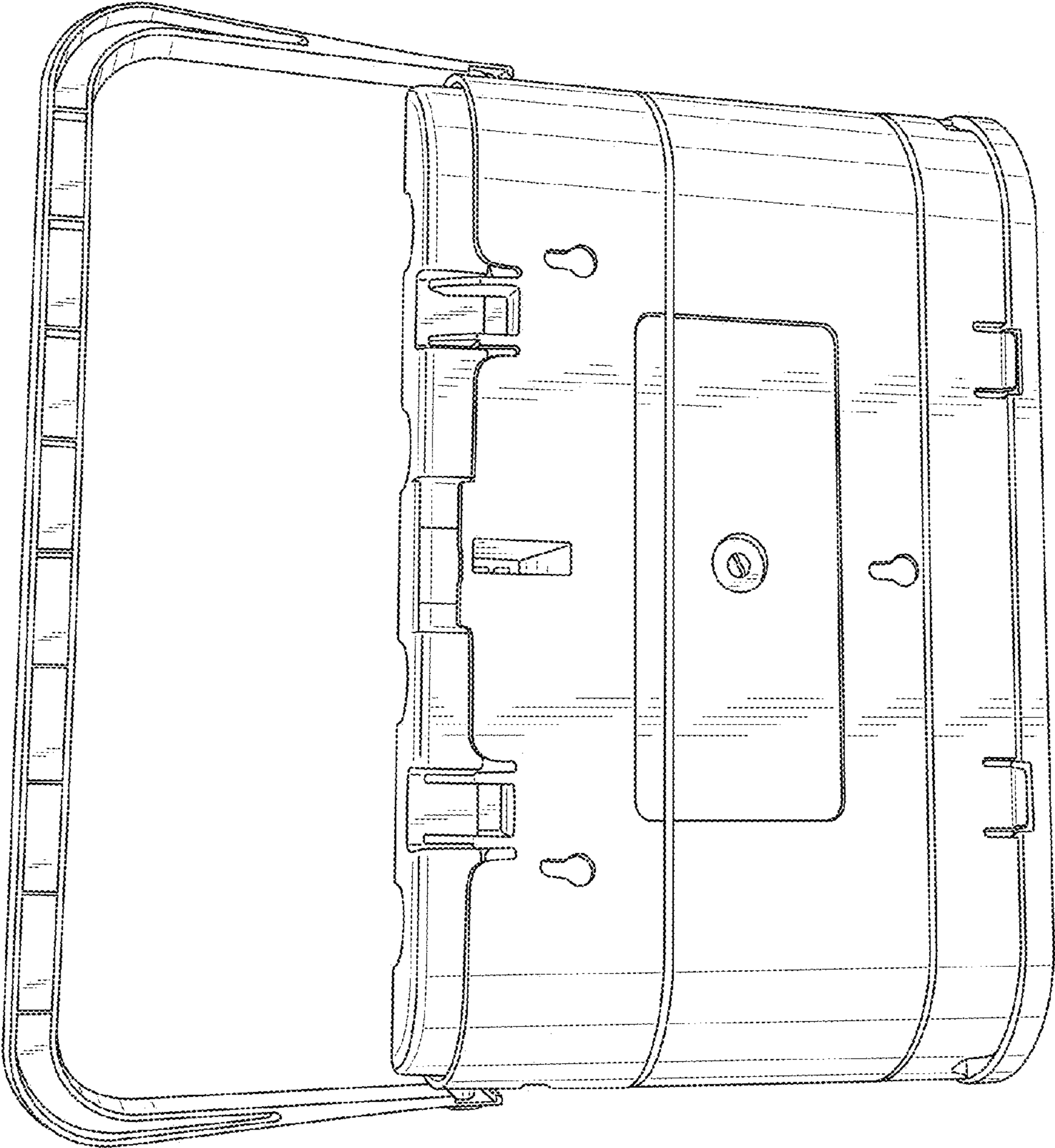


FIG. 3

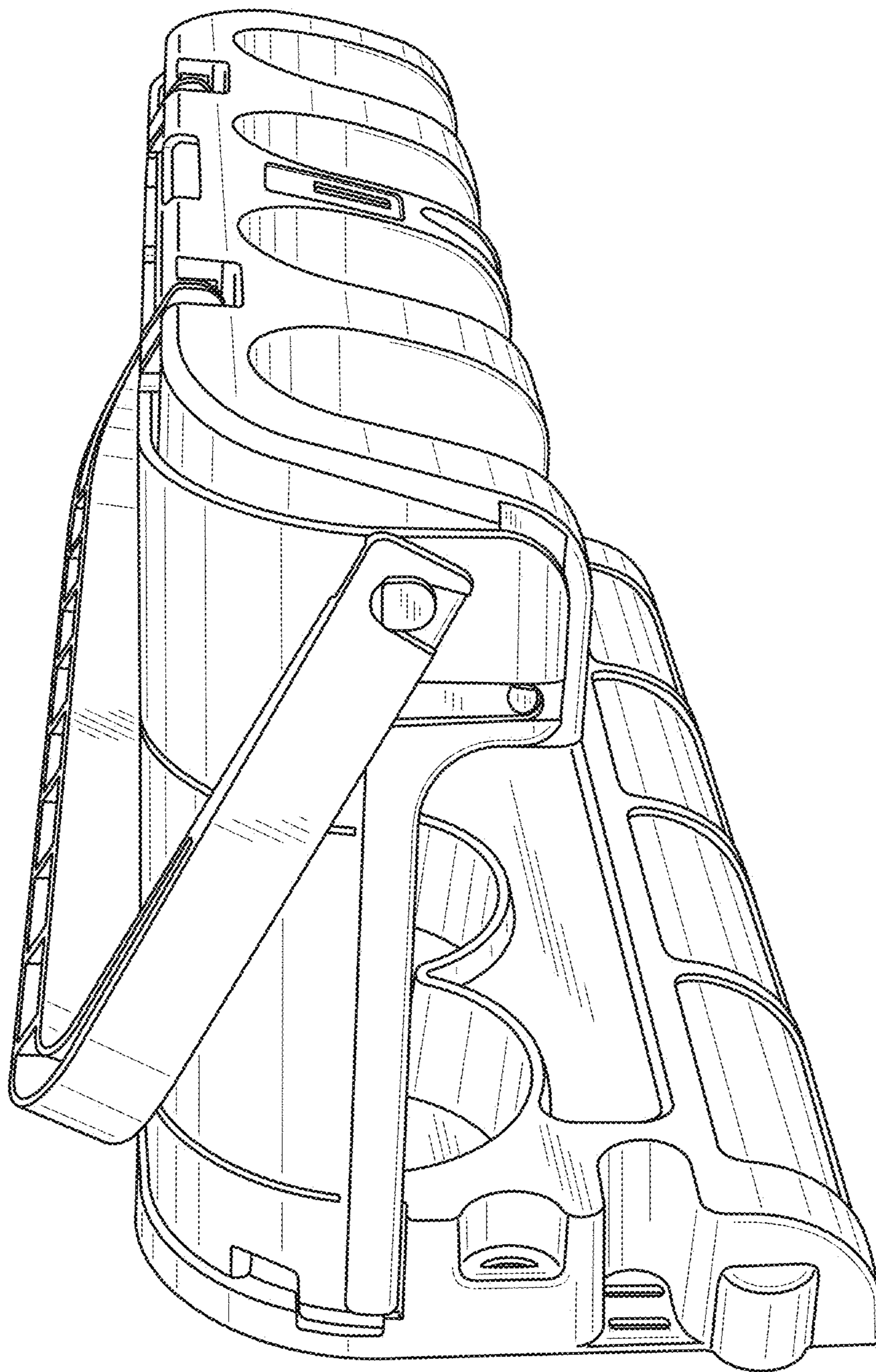


FIG. 4