



US00D680827S

(12) **United States Design Patent**
Cetera

(10) **Patent No.:** **US D680,827 S**

(45) **Date of Patent:** **** Apr. 30, 2013**

(54) **FUNNEL**

(75) Inventor: **Carl Cetera**, Westfield, NJ (US)

(73) Assignee: **Cotapaxi Custom Design and Manufacturing LLC**, Carlstadt, NJ (US)

(**) Term: **14 Years**

(21) Appl. No.: **29/395,249**

(22) Filed: **Dec. 23, 2011**

Related U.S. Application Data

(63) Continuation-in-part of application No. 29/374,978, filed on Nov. 2, 2011, now Pat. No. Des. 670,143.

(51) **LOC (9) Cl.** **07-99**

(52) **U.S. Cl.**
USPC **D7/700**

(58) **Field of Classification Search** D7/691,
D7/669, 629, 700; D9/434, 435, 436, 503,
D9/536; D15/152, 150; D23/200; 141/199–205,
141/95, 98, 297–300, 331–345, 384, 386;
215/316, 321, 329, 43

See application file for complete search history.

(56) **References Cited**

U.S. PATENT DOCUMENTS

D266,400	S	*	10/1982	Shatz	D15/152
4,706,720	A	*	11/1987	Pattison et al.	141/327
5,535,793	A	*	7/1996	Tantre	141/337
D415,552	S	*	10/1999	Malorni	D7/700
6,035,907	A	*	3/2000	DeCoster	141/331
6,155,315	A	*	12/2000	Peterson	141/331
6,425,424	B1	*	7/2002	Calvo et al.	141/331
D560,105	S	*	1/2008	McKenzie	D7/700
D562,091	S	*	2/2008	Shlomo et al.	D7/700

* cited by examiner

Primary Examiner — Terry Wallace

(74) *Attorney, Agent, or Firm* — Steven E. Shapiro

(57) **CLAIM**

The ornamental design for a funnel, as shown and described.

DESCRIPTION

FIG. 1 is a top, front perspective view of a funnel, with a handle in broken lines for illustrative purposes only and forming no part of the claimed design;

FIG. 2 is a bottom, rear perspective view of the funnel, with a handle in broken lines for illustrative purposes only and forming no part of the claimed design;

FIG. 3 is a top, rear perspective view of the funnel, with a handle in broken lines for illustrative purposes only and forming no part of the claimed design;

FIG. 4 is a top, left side perspective view of the funnel;

FIG. 5 is a right side view of the funnel, with a handle in broken lines for illustrative purposes only and forming no part of the claimed design;

FIG. 6 is a left side view of the funnel;

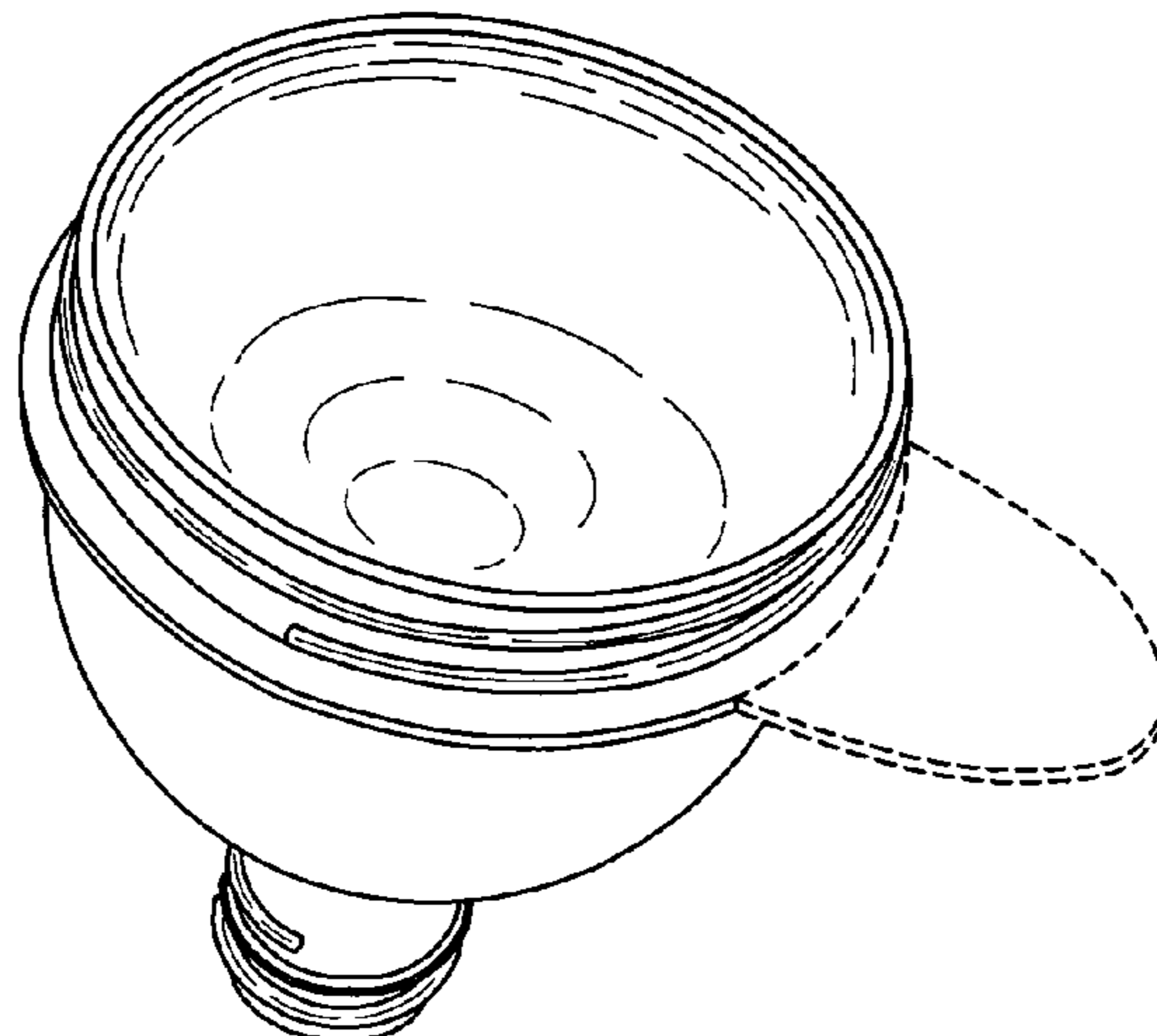
FIG. 7 is a rear view of the funnel, with a handle in broken lines for illustrative purposes only and forming no part of the claimed design;

FIG. 8 is a front view of funnel, with a handle in broken lines for illustrative purposes only and forming no part of the claimed design;

FIG. 9 is a top plan view of the funnel, with a handle in broken lines for illustrative purposes only and forming no part of the claimed design; and,

FIG. 10 is a bottom plan view of the funnel, with a handle in broken lines for illustrative purposes only and forming no part of the claimed design.

1 Claim, 10 Drawing Sheets



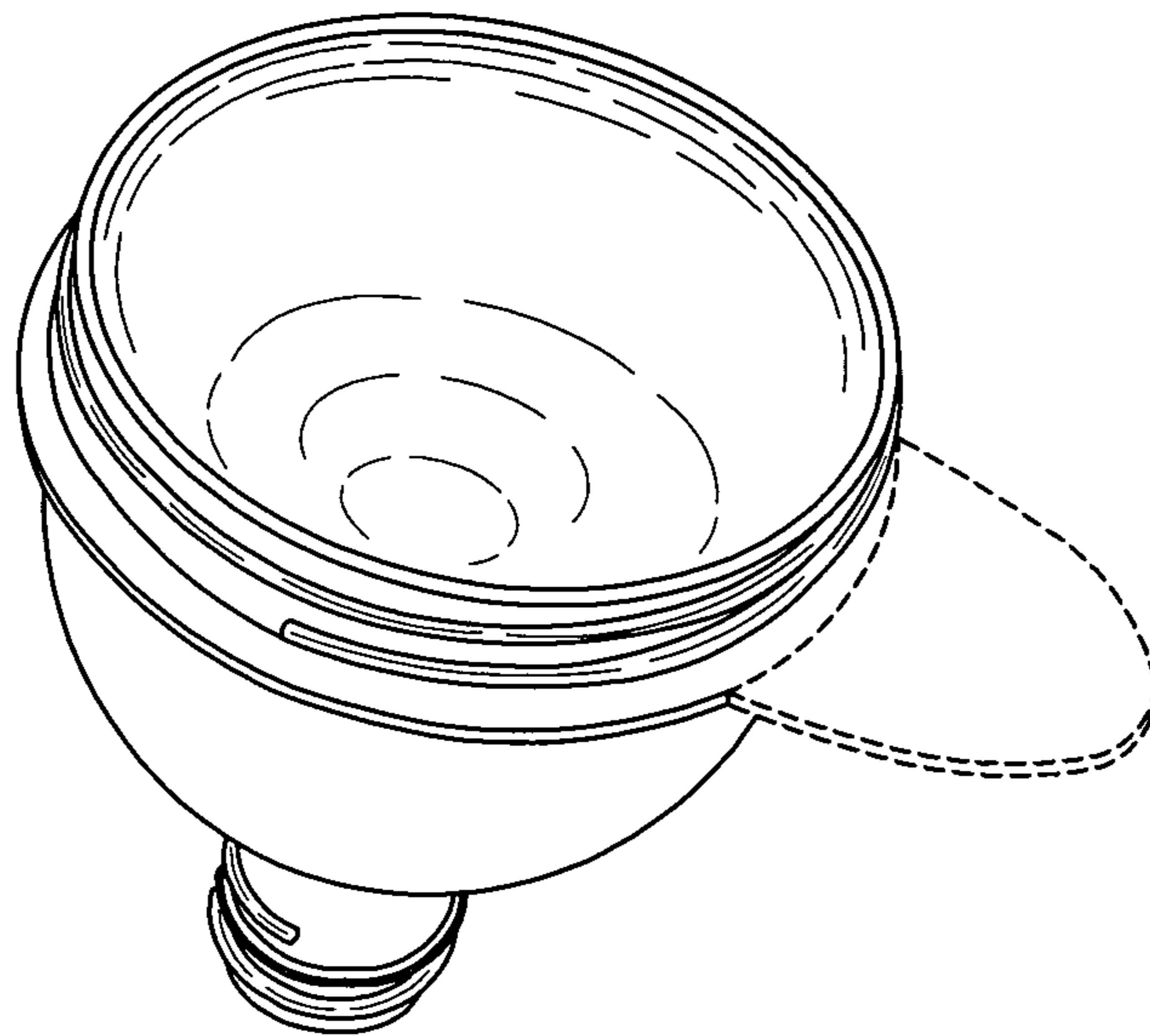


FIG. 1

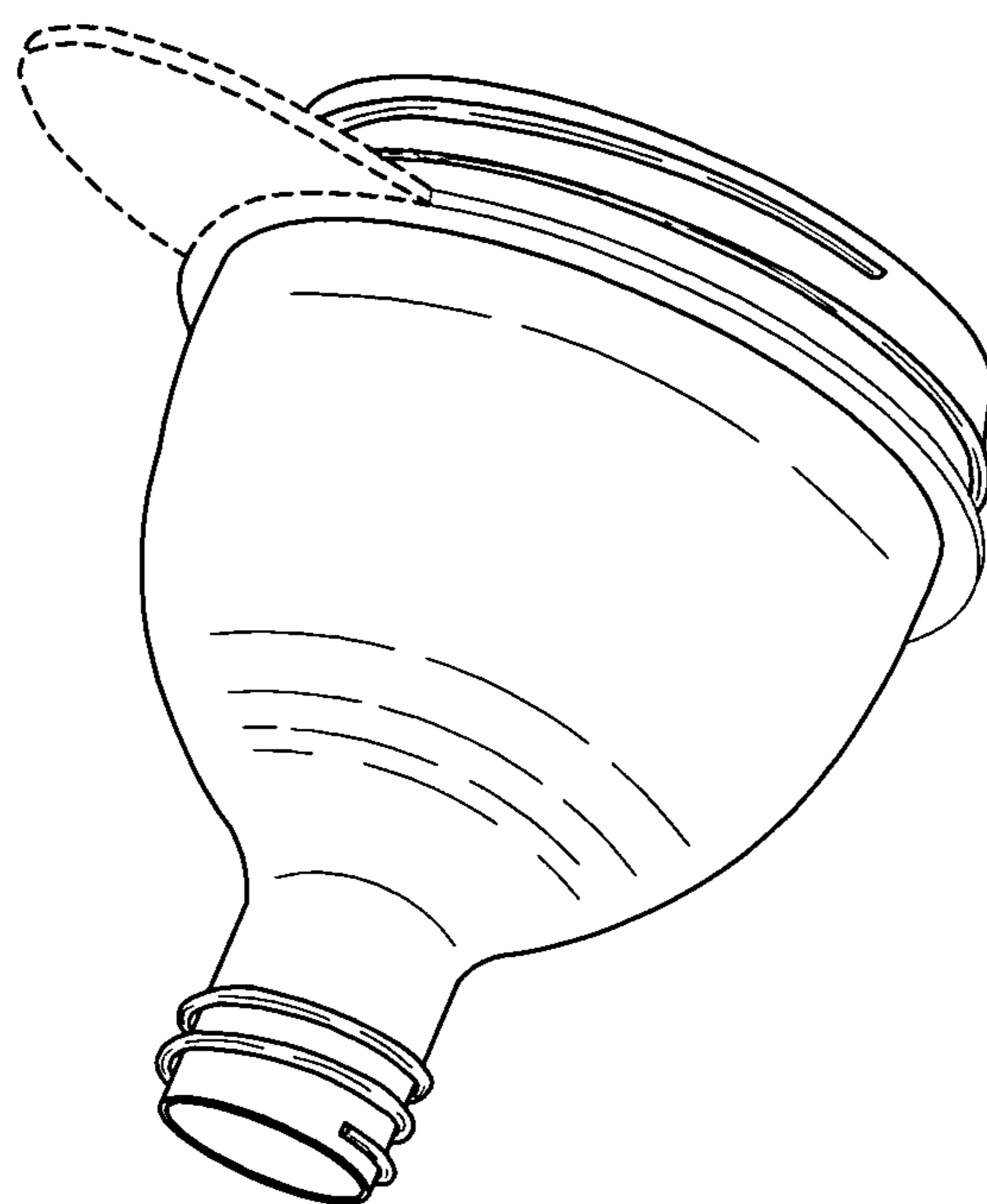


FIG. 2

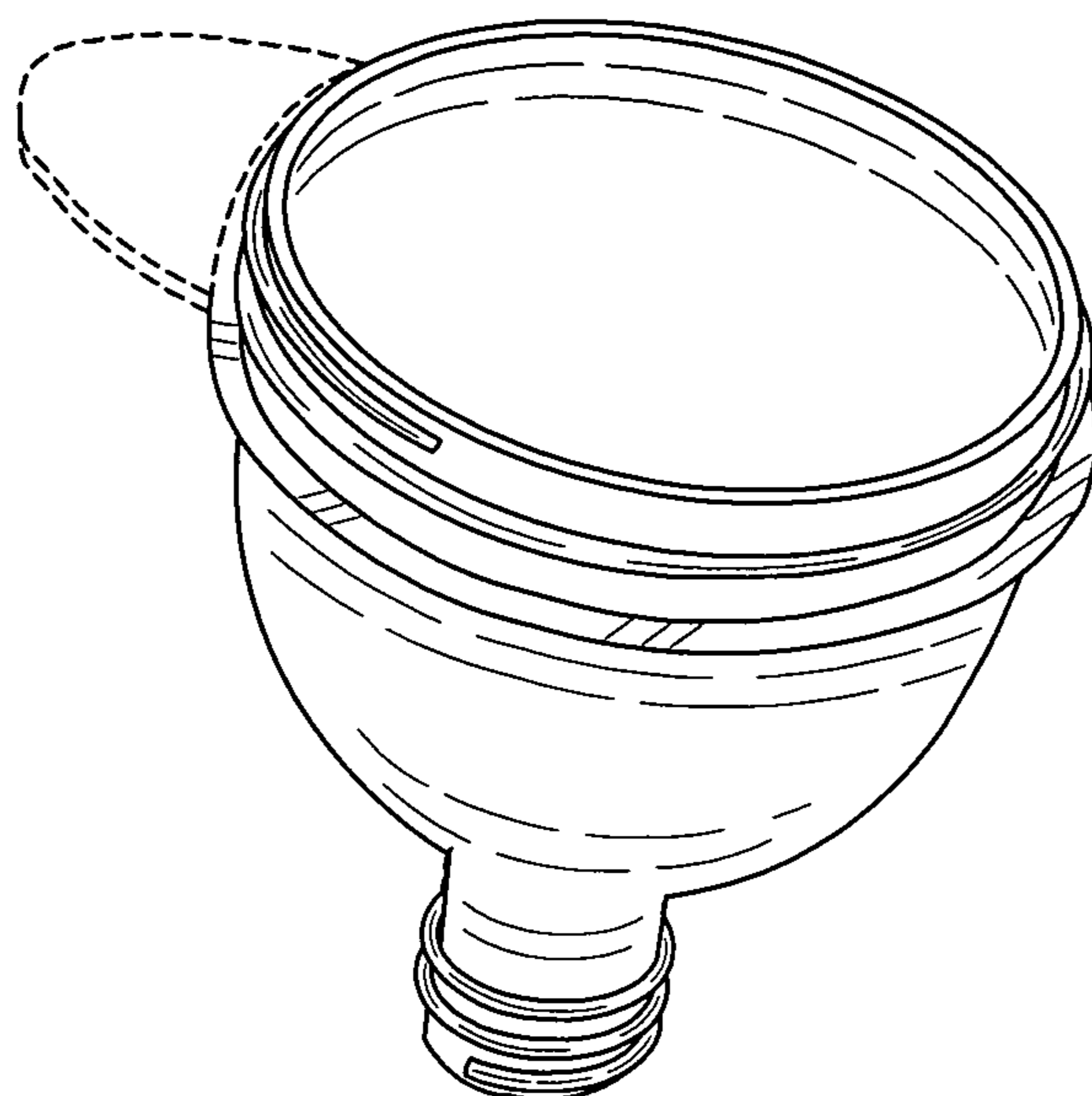


FIG. 3

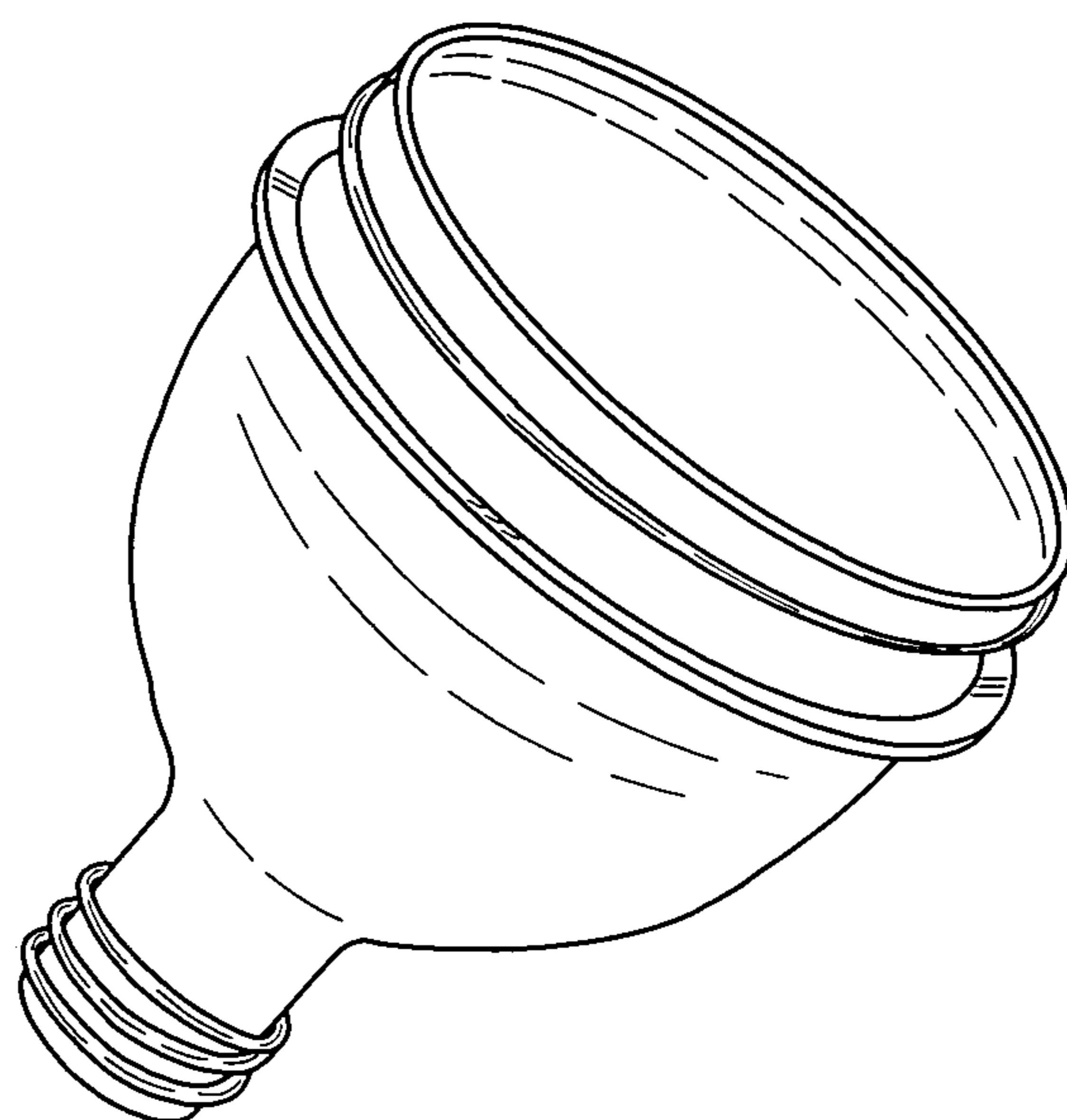


FIG. 4

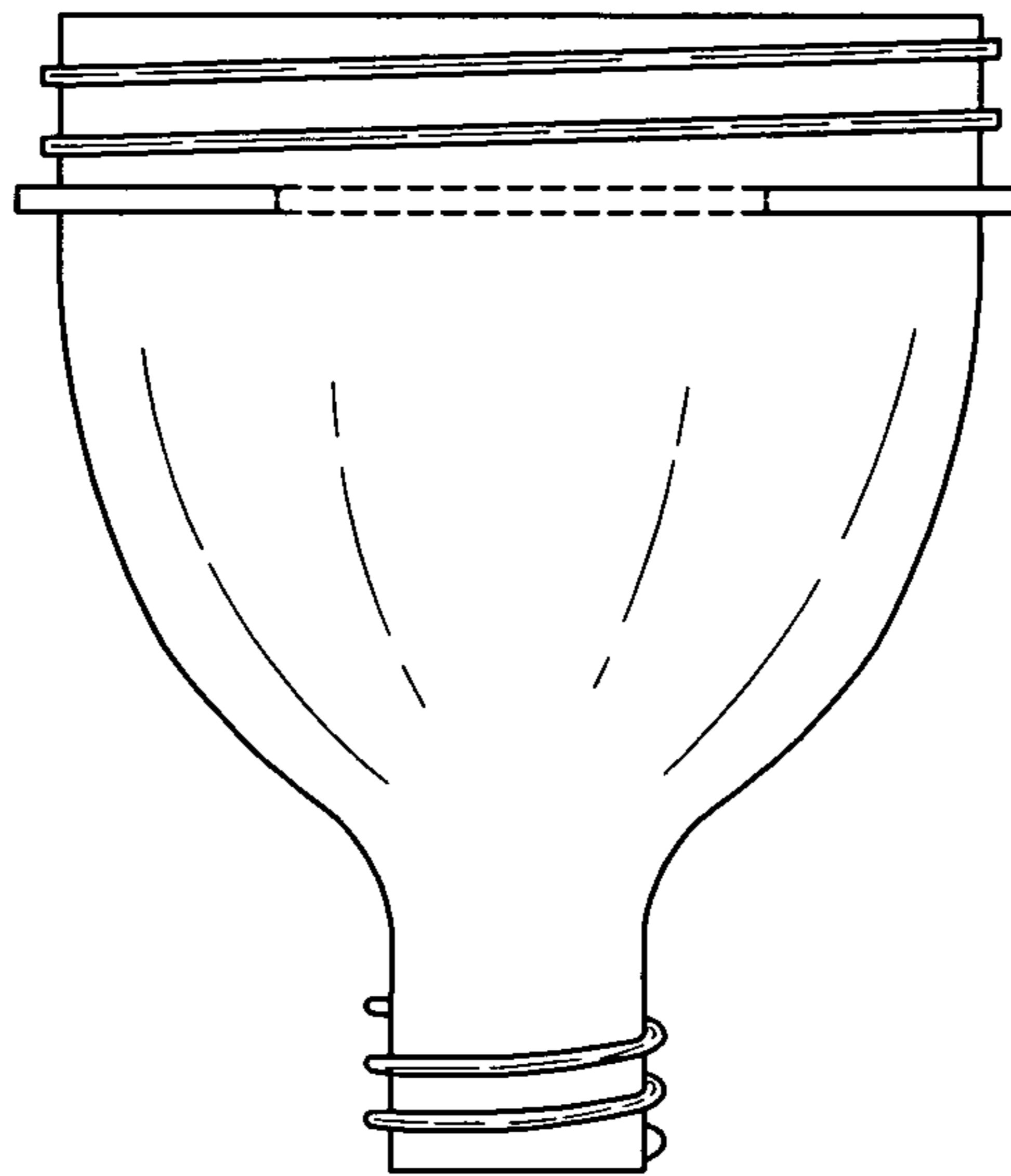


FIG. 5

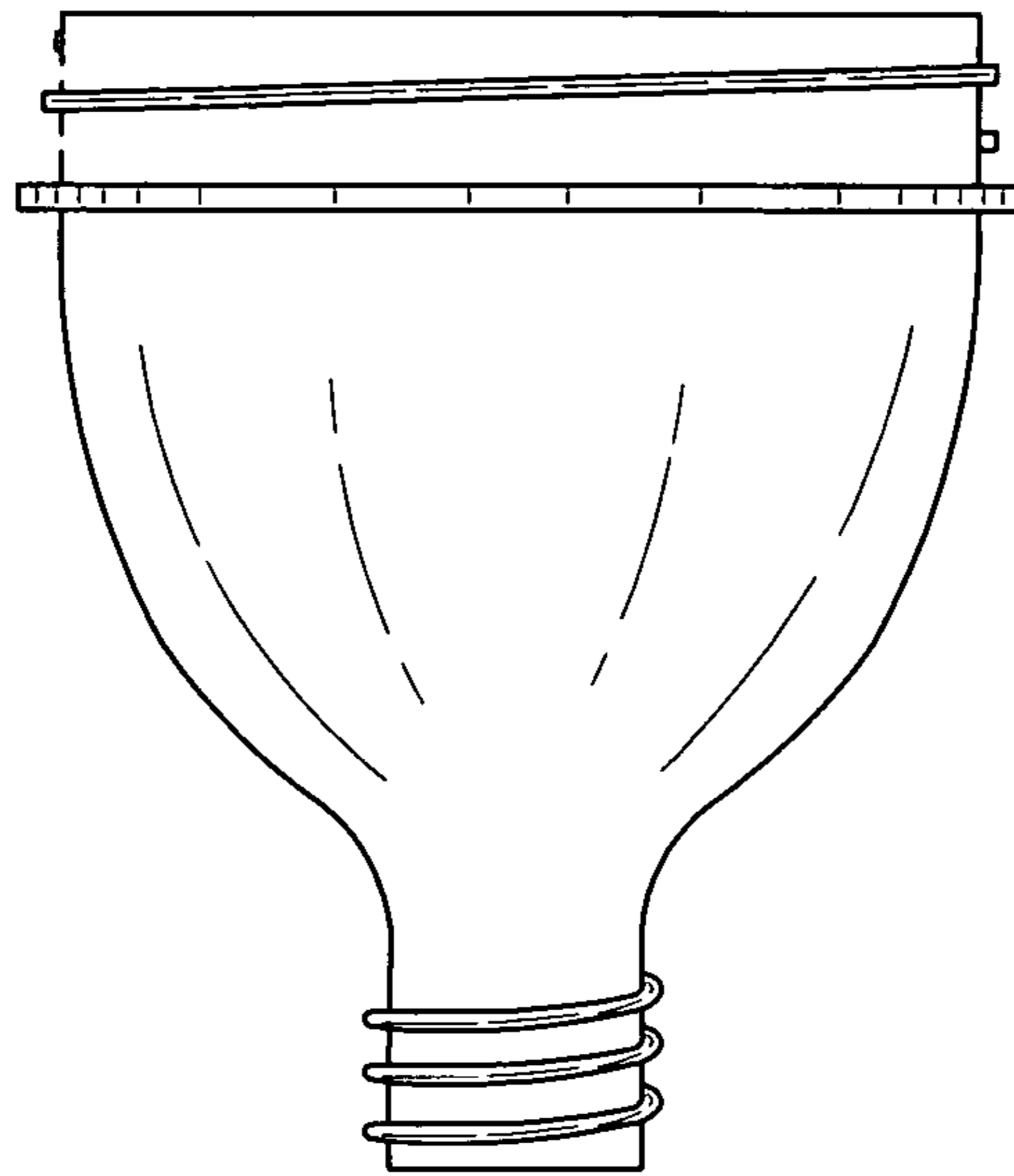


FIG. 6

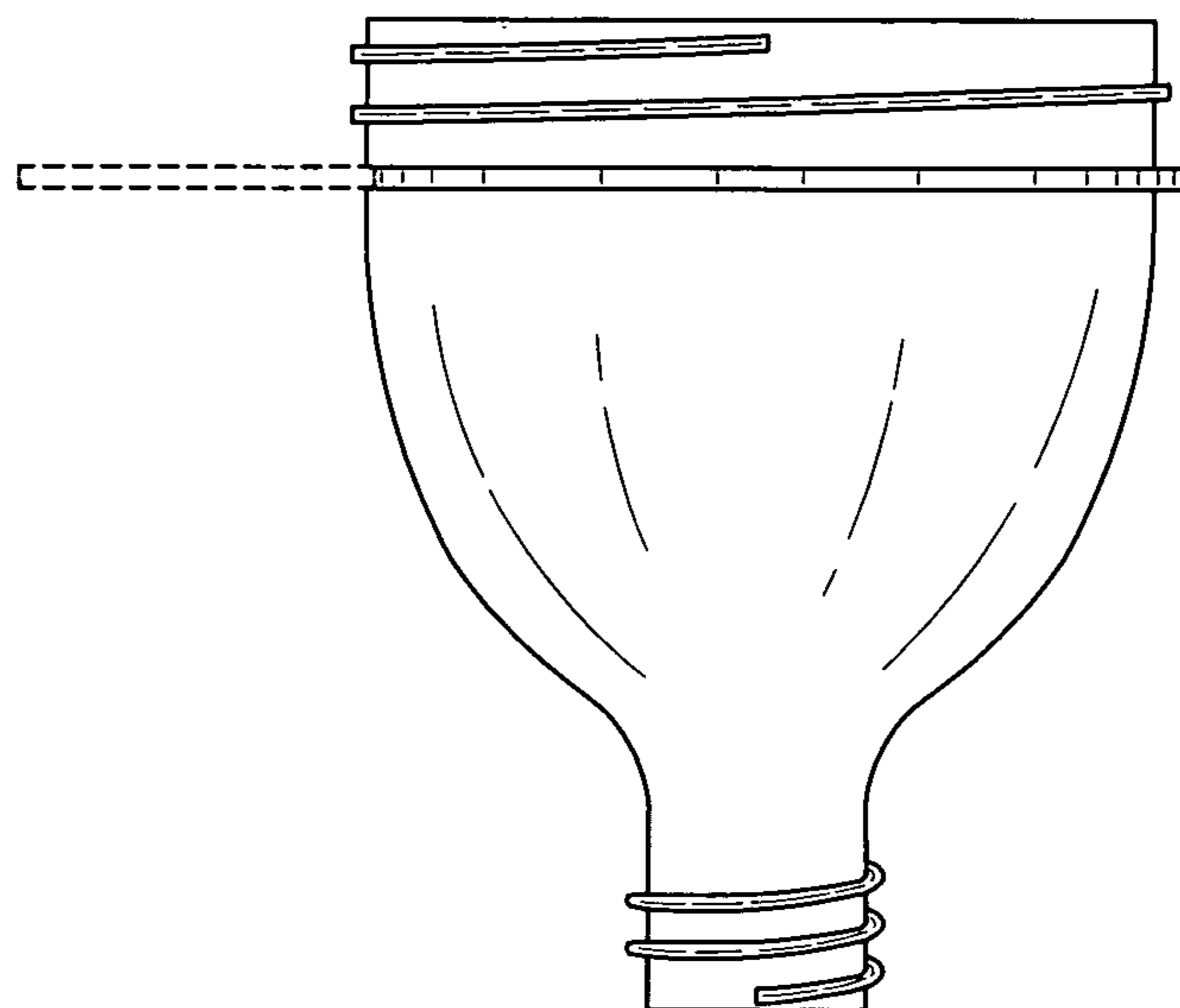


FIG. 7

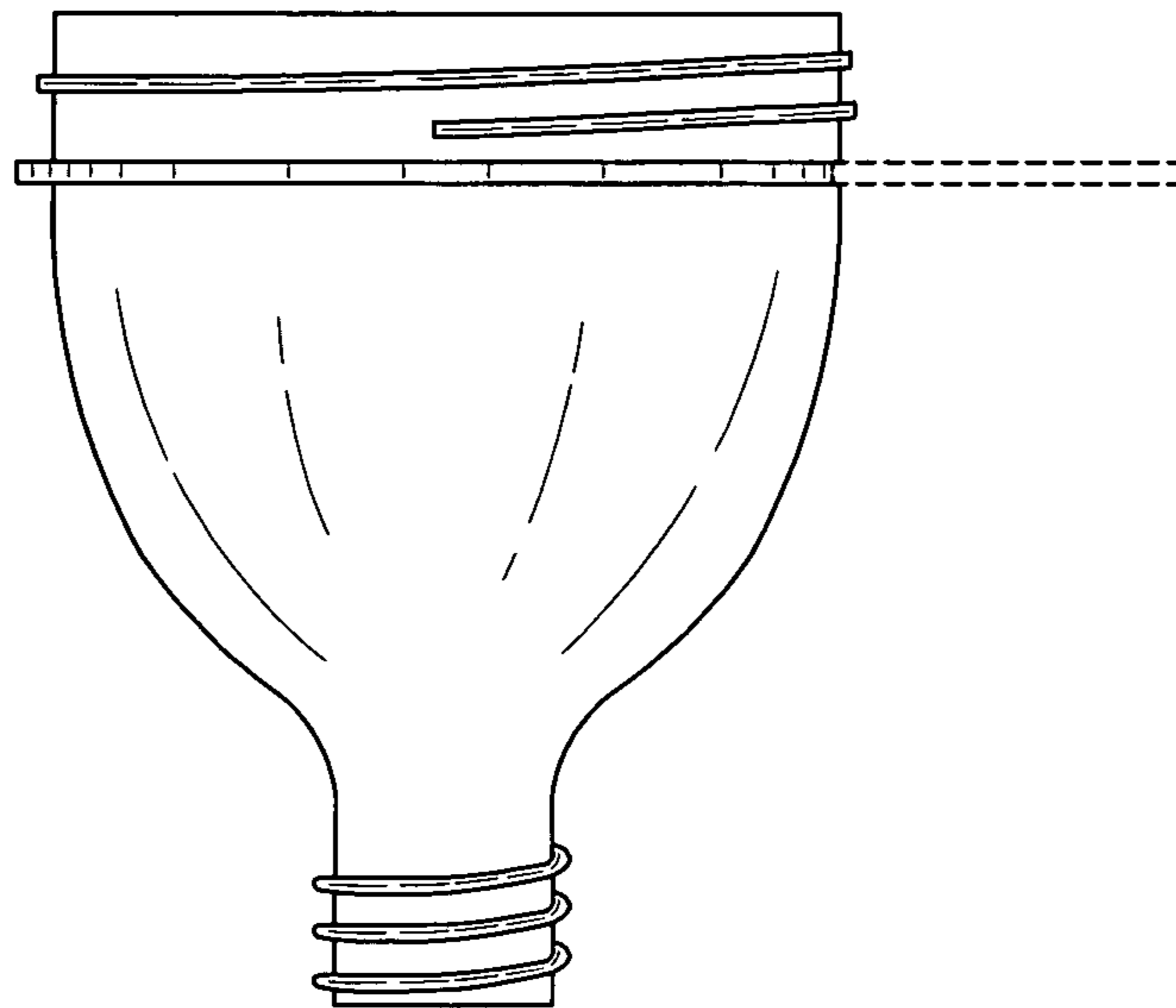


FIG. 8

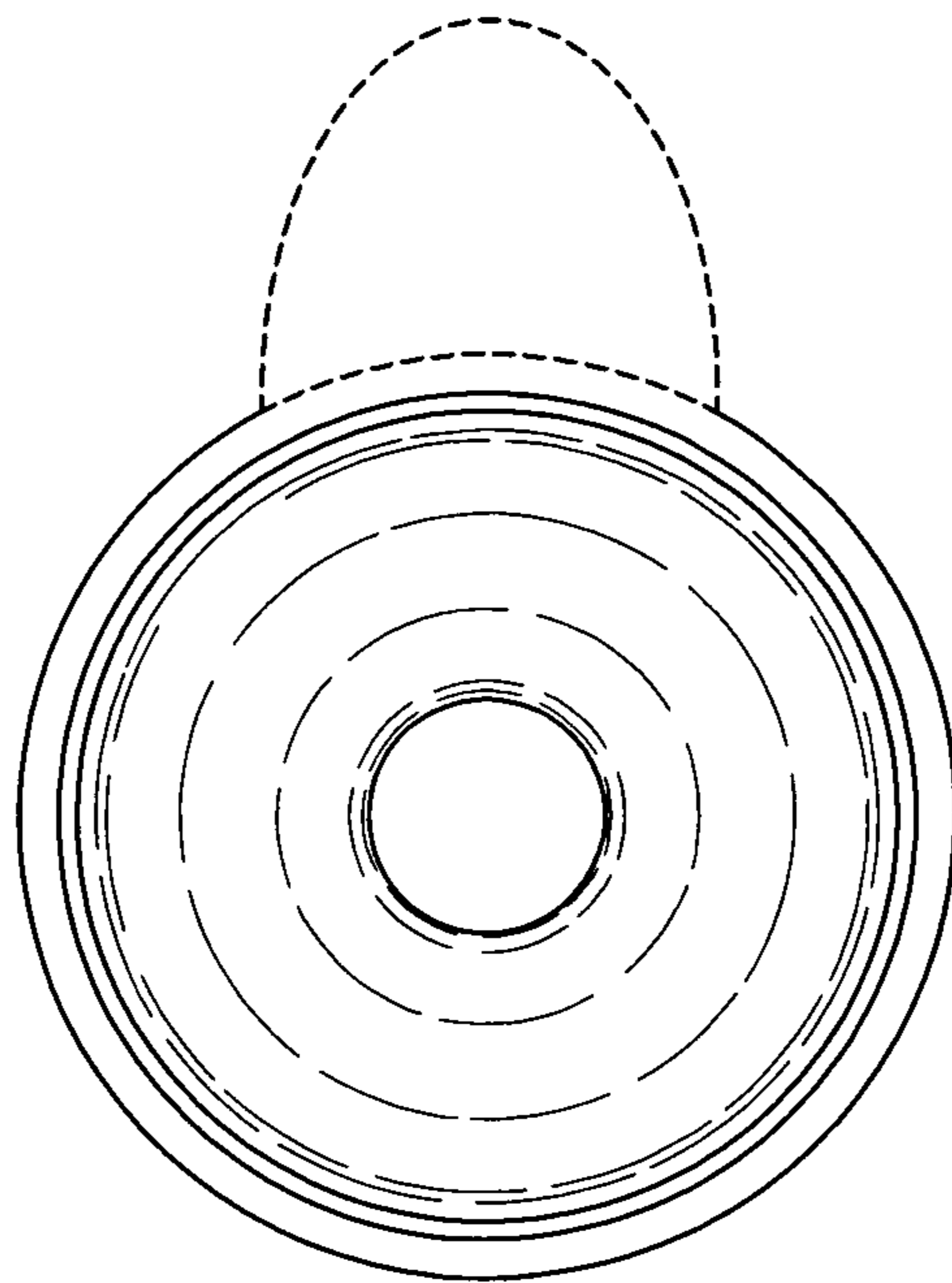


FIG. 9

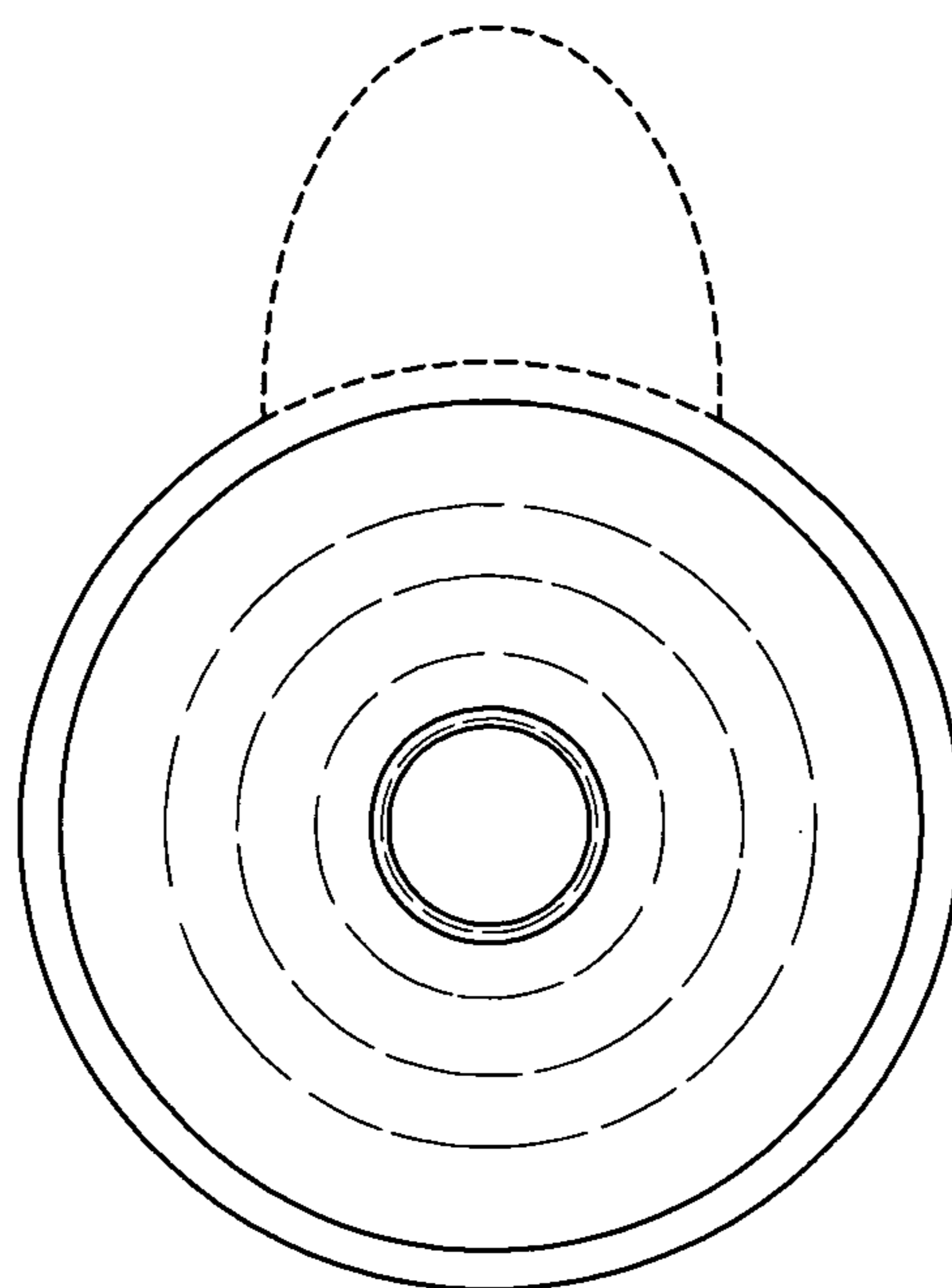


FIG. 10