



US00D680826S

(12) **United States Design Patent**
Patel et al.

(10) **Patent No.:** **US D680,826 S**

(45) **Date of Patent:** **** Apr. 30, 2013**

- (54) **HANDHELD KITCHEN CUTTING APPLIANCE**
- (71) Applicant: **Knightsbridge PME Limited**, Enfield (GB)
- (72) Inventors: **Shailesh Patel**, Ilford (GB); **David James Hunter**, Harrow (GB)
- (73) Assignee: **Knightsbridge PME Limited**, Enfield (GB)

2,779,097 A	1/1957	Frazier	
2,837,761 A	6/1958	Stiegler	
3,053,203 A	9/1962	Gaddini	
D203,612 S *	2/1966	Waller, Jr.	D7/677
3,924,326 A *	12/1975	Di Gaetano	30/120.2
D244,416 S	5/1977	Zysset	
4,029,012 A	6/1977	Smith	
4,245,973 A *	1/1981	Greaney	425/276
D268,318 S *	3/1983	Lutzker	D7/669
D270,510 S	9/1983	Miller	
4,765,029 A	8/1988	Rogan	
5,261,325 A	11/1993	Bengtsson	
5,499,914 A	3/1996	Rist	

(**) Term: **14 Years**

(Continued)

(21) Appl. No.: **29/433,221**

OTHER PUBLICATIONS

Knightsbridge PME 2006 catalog, p. 15.

(22) Filed: **Sep. 27, 2012**

(Continued)

(30) **Foreign Application Priority Data**

Mar. 29, 2012 (GB) 002017004-0002

Primary Examiner — Terry Wallace

(51) **LOC (9) Cl.** **07-02**

(74) *Attorney, Agent, or Firm* — Howson & Howson LLP

(52) **U.S. Cl.**
USPC **D7/693; D7/672**

(58) **Field of Classification Search** D7/672-677,
D7/693; 99/537; 30/114, 130, 152, 301,
30/303, 305, 314, 315; 249/117, 135; 425/276,
425/279, 281, 289, 299
See application file for complete search history.

(57) **CLAIM**

The ornamental design for a handheld kitchen cutting appliance, as shown and described.

(56) **References Cited**

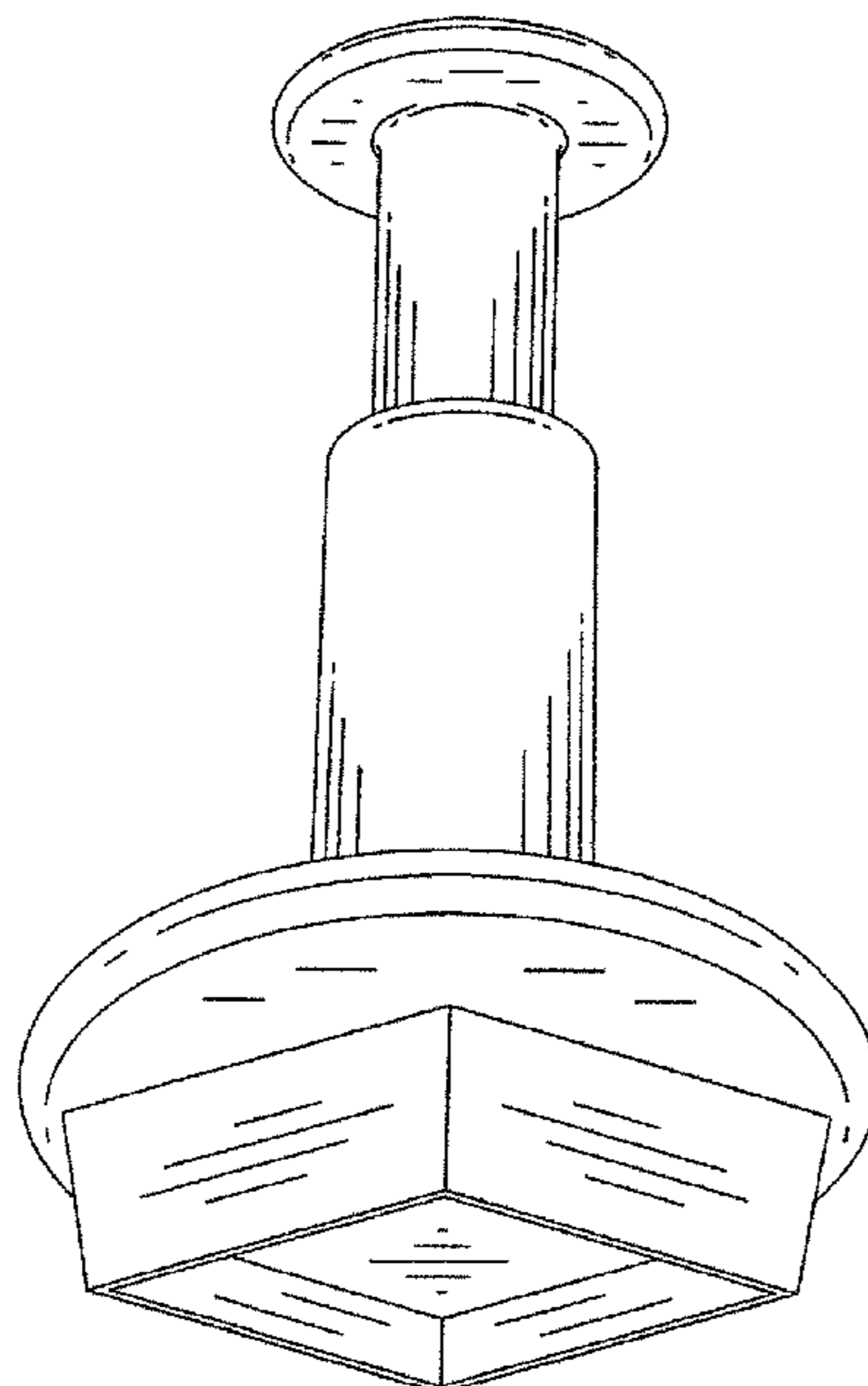
DESCRIPTION

U.S. PATENT DOCUMENTS

607,076 A	7/1898	Poll
1,031,243 A	7/1912	Carnes
1,618,685 A	2/1927	Stauffer
2,008,725 A	7/1935	Parker
2,052,510 A	8/1936	Woolverton
2,605,498 A	8/1952	Manton
2,620,755 A	12/1952	Lewis

FIG. 1 is a perspective view of the top and front of the handheld kitchen cutting appliance, showing our new design; FIG. 2 is a top plan view thereof; FIG. 3 is a bottom plan view thereof; FIG. 4 is a front elevational view thereof; and FIG. 5 is a right side elevational view thereof; and, FIG. 6 is a perspective view of the bottom and front thereof. The rear elevational view is identical to the front elevational view shown in FIG. 4, and the left side elevational view is identical to the right side elevational view shown in FIG. 5.

1 Claim, 5 Drawing Sheets



U.S. PATENT DOCUMENTS

D379,368 S 5/1997 Harden
D397,277 S * 8/1998 Gibbs, Jr. D7/696
D401,482 S * 11/1998 De Are D7/677
D409,055 S * 5/1999 Johnson et al. D7/677
6,990,892 B2 1/2006 Errera
7,331,776 B2 2/2008 Errera
D629,661 S 12/2010 Lion
8,230,604 B1 7/2012 Corey
2002/0112354 A1* 8/2002 Camillo et al. 30/315
2011/0014373 A1 1/2011 Perry

OTHER PUBLICATIONS

Ateco web page describing "Four Ring Stamp", https://www.atecouse.net/Merchant2/merchant.mvc?Screen=PROD&producte_Code=1473&Category_Code=csets&Product_Count=4 date unknown.

KitchenKrafts web page depicting Cupcake Corer/Plunger. <http://www.kitchenkrafts.com/petit-four-cutter-set-9-pc-/p/CD2009/sid/CHAMP/> date unknown.
Unpublished U.S. Appl. No. 29/400,531 for Handheld Kitchen Cutting Appliance.
Unpublished U.S. Appl. No. 29/433,220 for Handheld Kitchen Cutting Appliance.
Unpublished U.S. Appl. No. 29/433,217 for Handheld Kitchen Cutting Appliance.
Unpublished U.S. Appl. No. 29/433,216 for Handheld Kitchen Cutting Appliance.
Unpublished U.S. Appl. No. 29/400,532 for Handheld Kitchen Cutting Appliance.
Unpublished U.S. Appl. No. 29/397,009 for Handheld Kitchen Cutting Appliance.

* cited by examiner

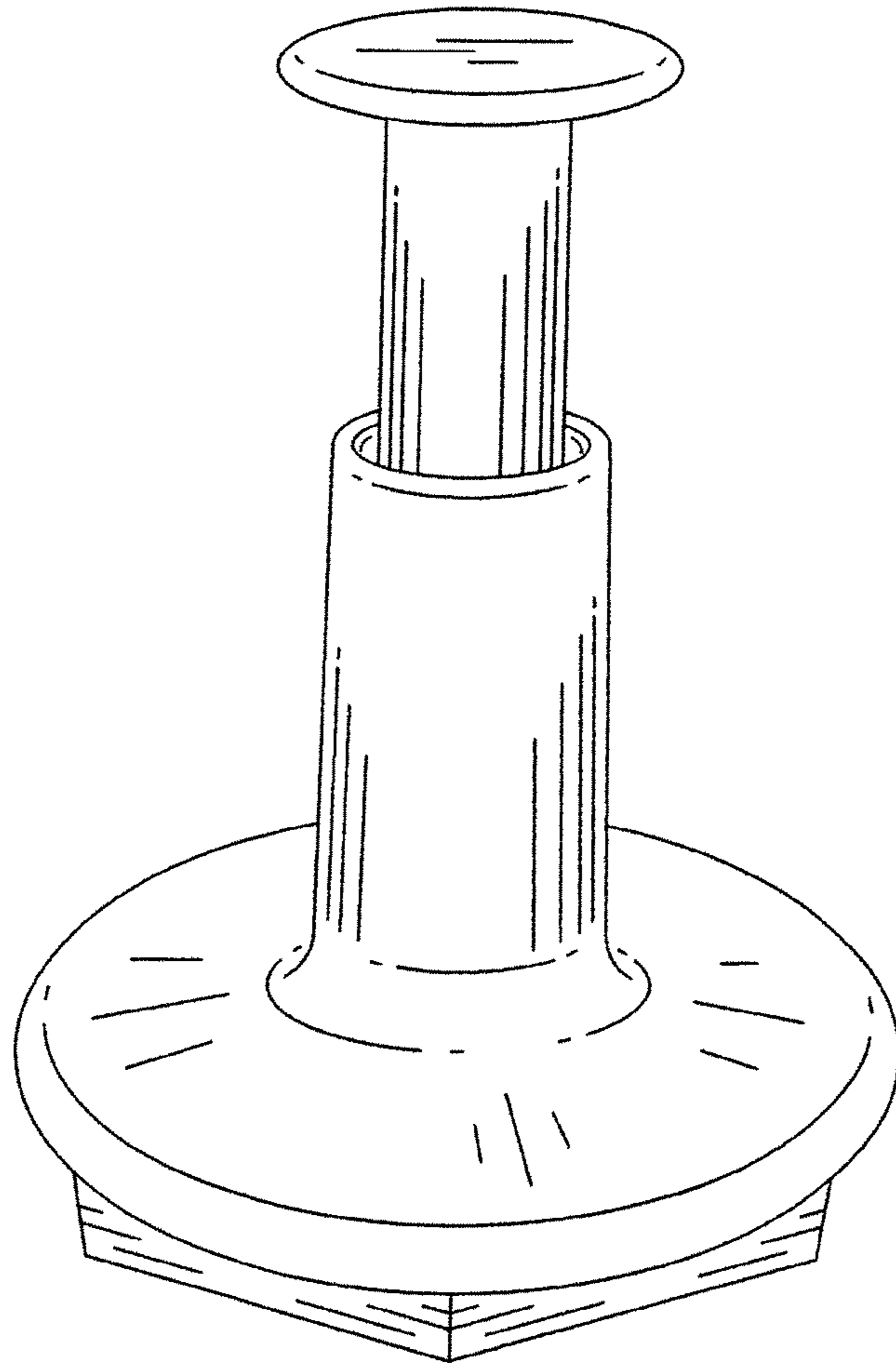


Fig. 1

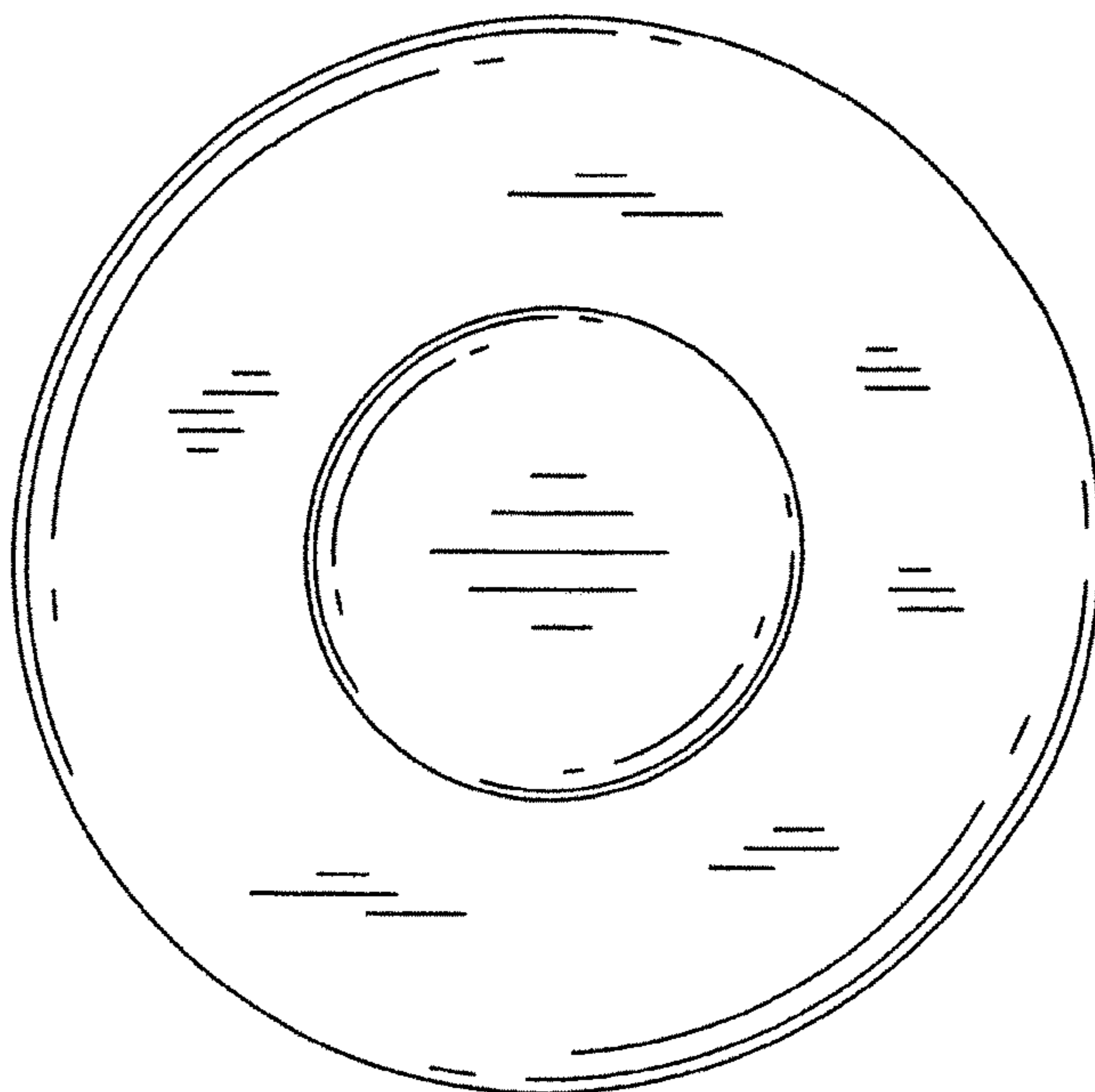


Fig. 2

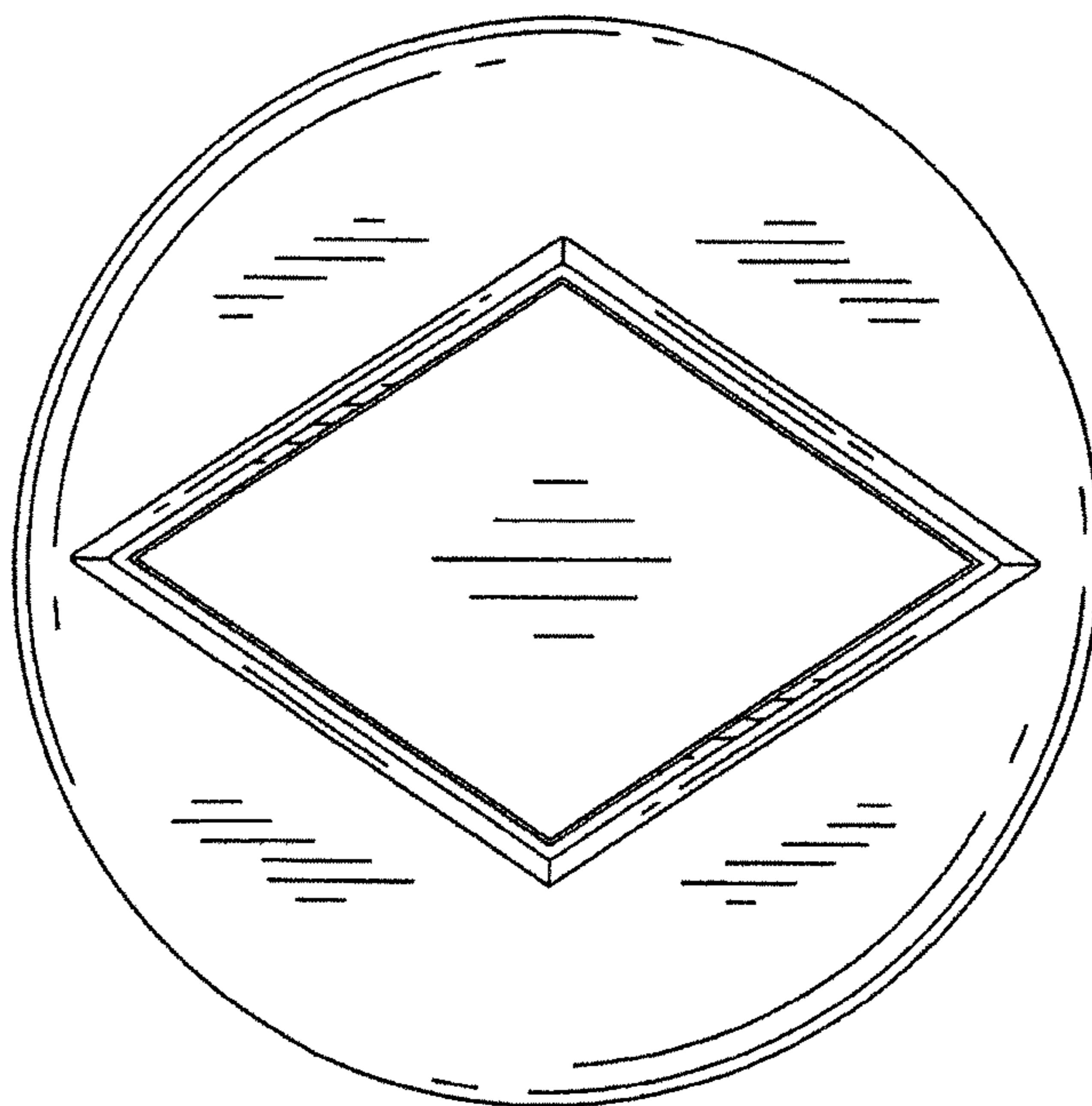


Fig. 3

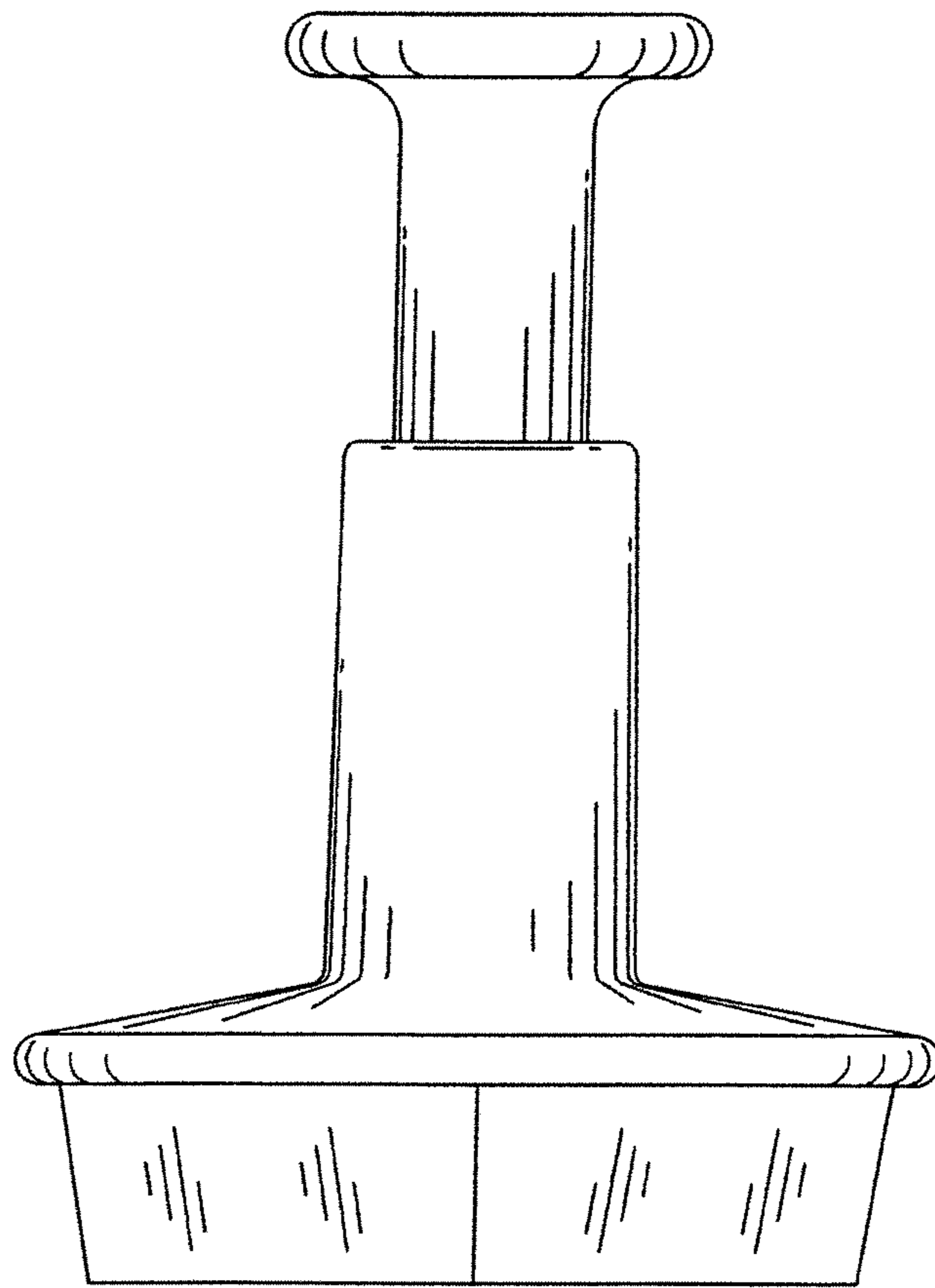


Fig. 4

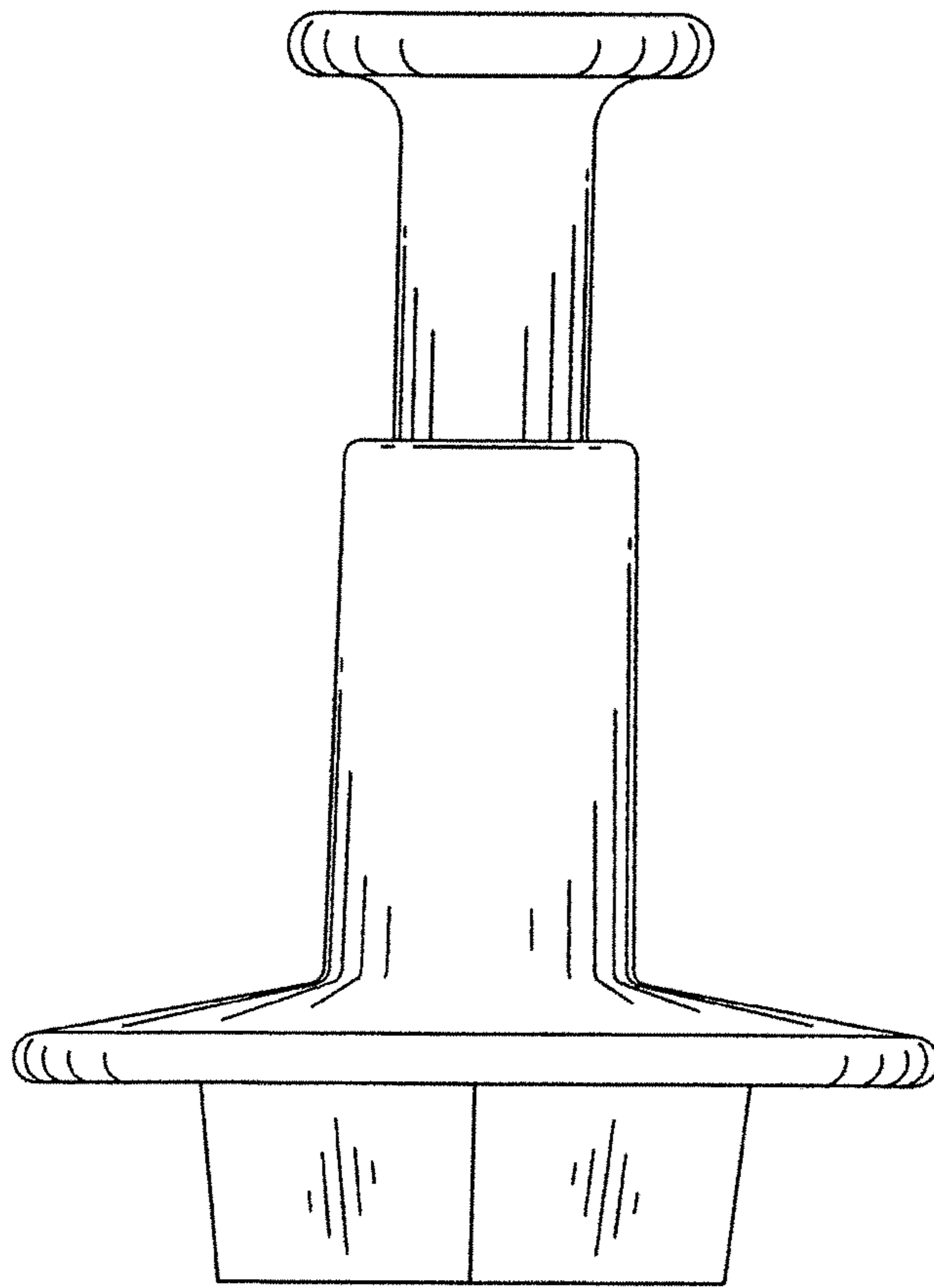


Fig. 5

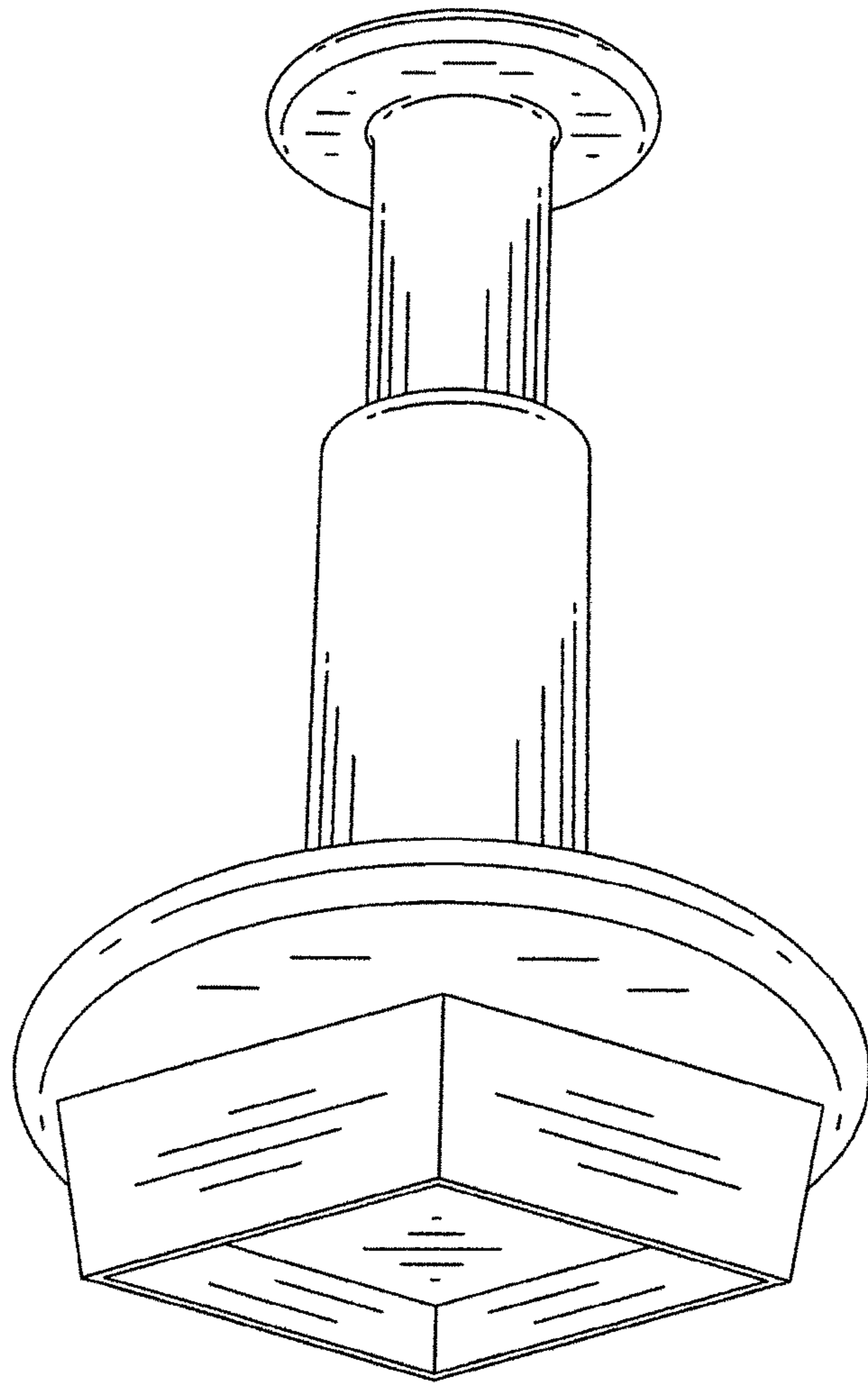


Fig. 6