



US00D680825S

(12) **United States Design Patent**
Patel et al.

(10) **Patent No.:** **US D680,825 S**
(45) **Date of Patent:** **** Apr. 30, 2013**

- (54) **HANDHELD KITCHEN CUTTING APPLIANCE**
- (71) Applicant: **Knightsbridge PME Limited**, Enfield (GB)
- (72) Inventors: **Shailesh Patel**, Ilford (GB); **David James Hunter**, Harrow (GB)
- (73) Assignee: **Knightsbridge PME Limited**, Enfield (GB)

| | | | |
|---------------|---------|-------------|----------|
| 2,837,761 A | 6/1958 | Stiegler | |
| 3,053,203 A | 9/1962 | Gaddini | |
| D203,612 S * | 2/1966 | Waller, Jr. | D7/677 |
| 3,924,326 A * | 12/1975 | Di Gaetano | 30/120.2 |
| D244,416 S | 5/1977 | Zysset | |
| 4,029,012 A | 6/1977 | Smith | |
| 4,245,973 A * | 1/1981 | Greaney | 425/276 |
| D268,318 S * | 3/1983 | Lutzker | D7/669 |
| D270,510 S | 9/1983 | Miller | |
| 4,765,029 A | 8/1988 | Rogan | |
| 5,261,325 A | 11/1993 | Bengtsson | |
| 5,499,914 A | 3/1996 | Rist | |
| D379,368 S | 5/1997 | Harden | |
| D397,277 S * | 8/1998 | Gibbs, Jr. | D7/696 |

(**) Term: **14 Years**

(Continued)

(21) Appl. No.: **29/433,217**

OTHER PUBLICATIONS

(22) Filed: **Sep. 27, 2012**

Knightsbridge PME 2006 catalog, p. 15.

(30) **Foreign Application Priority Data**

(Continued)

Mar. 29, 2012 (GB) 002017004-0001

Primary Examiner — Terry Wallace

(51) **LOC (9) Cl.** **07-02**

(74) *Attorney, Agent, or Firm* — Howson & Howson LLP

(52) **U.S. Cl.**
USPC **D7/693; D7/672**

(58) **Field of Classification Search** D7/672-677,
D7/693; 99/537; 30/114, 130, 152, 301,
30/303, 305, 314, 315; 249/117, 135; 425/276,
425/279, 281, 289, 299

(57) **CLAIM**

The ornamental design for a handheld kitchen cutting appliance, as shown and described.

See application file for complete search history.

DESCRIPTION

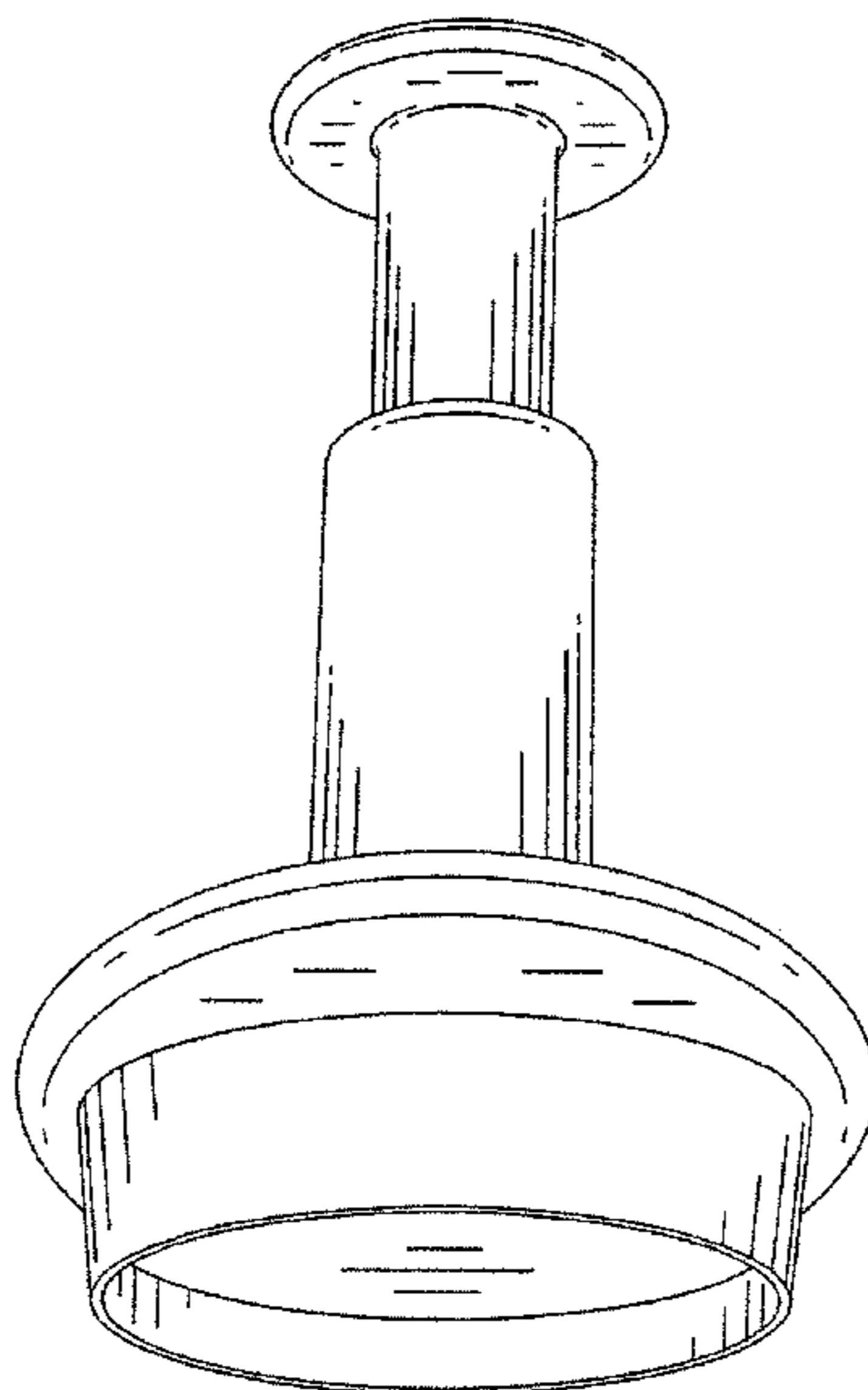
FIG. 1 is a perspective view of the top and front of the handheld kitchen cutting appliance, showing our new design; FIG. 2 is a top plan view thereof; FIG. 3 is a bottom plan view thereof; FIG. 4 is a front elevational view thereof; FIG. 5 is a right side elevational view thereof; and, FIG. 6 is a perspective view of the bottom and front thereof. The rear elevational view is identical to the front elevational view shown in FIG. 4, and the left side elevational view is identical to the right side elevational view shown in FIG. 5.

(56) **References Cited**

U.S. PATENT DOCUMENTS

| | | |
|-------------|---------|------------|
| 607,076 A | 7/1898 | Poll |
| 1,031,243 A | 7/1912 | Carnes |
| 1,618,685 A | 2/1927 | Stauffer |
| 2,008,725 A | 7/1935 | Parker |
| 2,052,510 A | 8/1936 | Woolverton |
| 2,605,498 A | 8/1952 | Manton |
| 2,620,755 A | 12/1952 | Lewis |
| 2,779,097 A | 1/1957 | Frazier |

1 Claim, 5 Drawing Sheets



U.S. PATENT DOCUMENTS

D401,482 S * 11/1998 De Are D7/677
D409,055 S * 5/1999 Johnson et al. D7/677
6,990,892 B2 1/2006 Errera
7,331,776 B2 2/2008 Errera
D629,661 S 12/2010 Lion
8,230,604 B1 7/2012 Corey
2002/0112354 A1* 8/2002 Camillo et al. 30/315
2011/0014373 A1 1/2011 Perry

OTHER PUBLICATIONS

Ateco web page describing "Four Ring Stamp", https://www.atecouse.net/Merchant2/merchant.mvc?Screen=PROD&producte_Code=1473&Category_Code=csets&Product_Count=4 date unknown.

KitchenKrafts web page depicting Cupcake Corer/Plunger. <http://www.kitchenkrafts.com/petit-four-cutter-set-9-pc-/p/CD2009/sid/CHAMP/> date unknown.
Unpublished U.S. Appl. No. 29/433,221 for Handheld Kitchen Cutting Appliance.
Unpublished U.S. Appl. No. 29/433,220 for Handheld Kitchen Cutting Appliance.
Unpublished U.S. Appl. No. 29/400,531 for Handheld Kitchen Cutting Appliance.
Unpublished U.S. Appl. No. 29/433,216 for Handheld Kitchen Cutting Appliance.
Unpublished U.S. Appl. No. 29/400,532 for Handheld Kitchen Cutting Appliance.
Unpublished U.S. Appl. No. 29/397,009 for Handheld Kitchen Cutting Appliance.

* cited by examiner

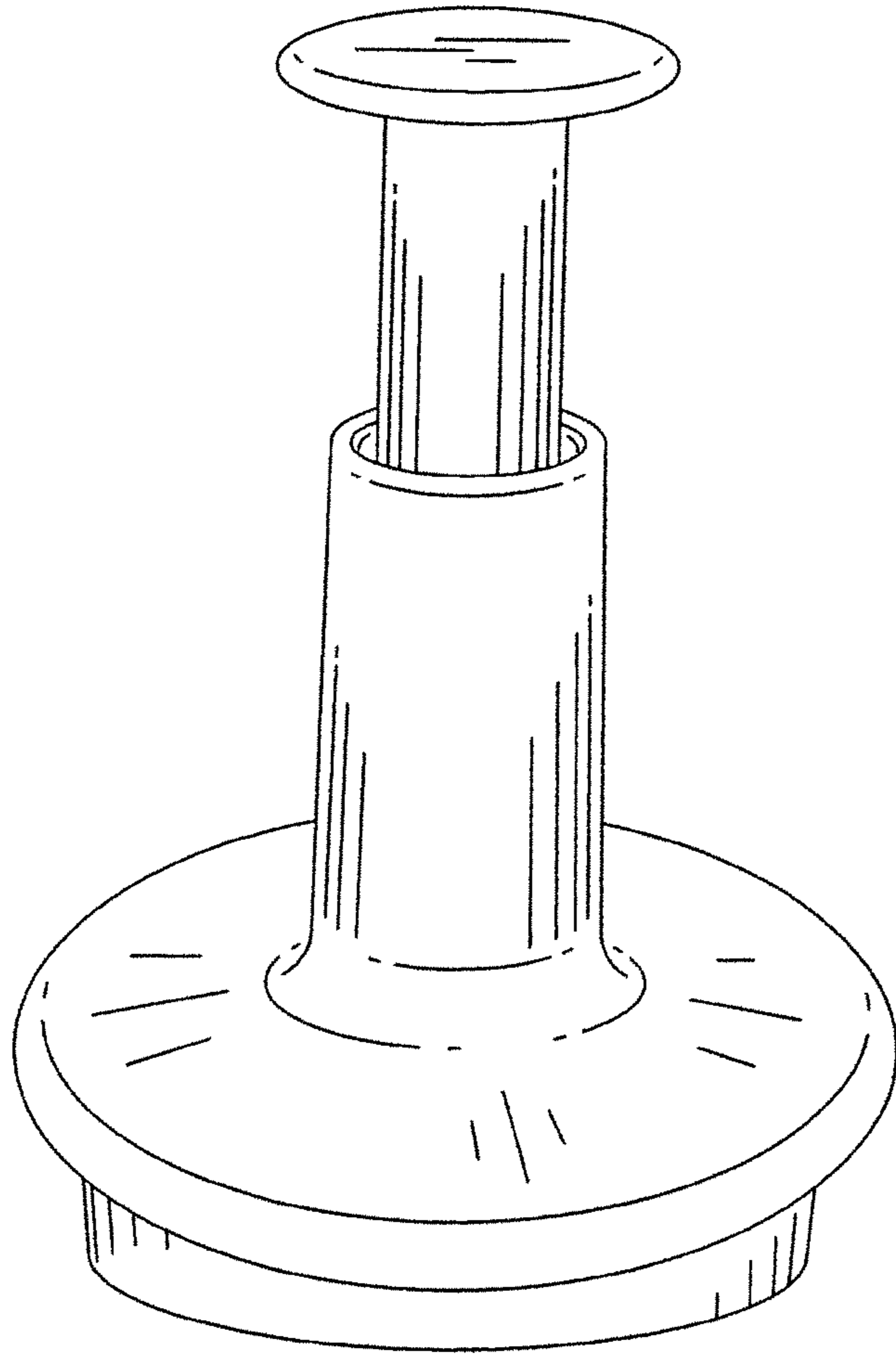


Fig. 1

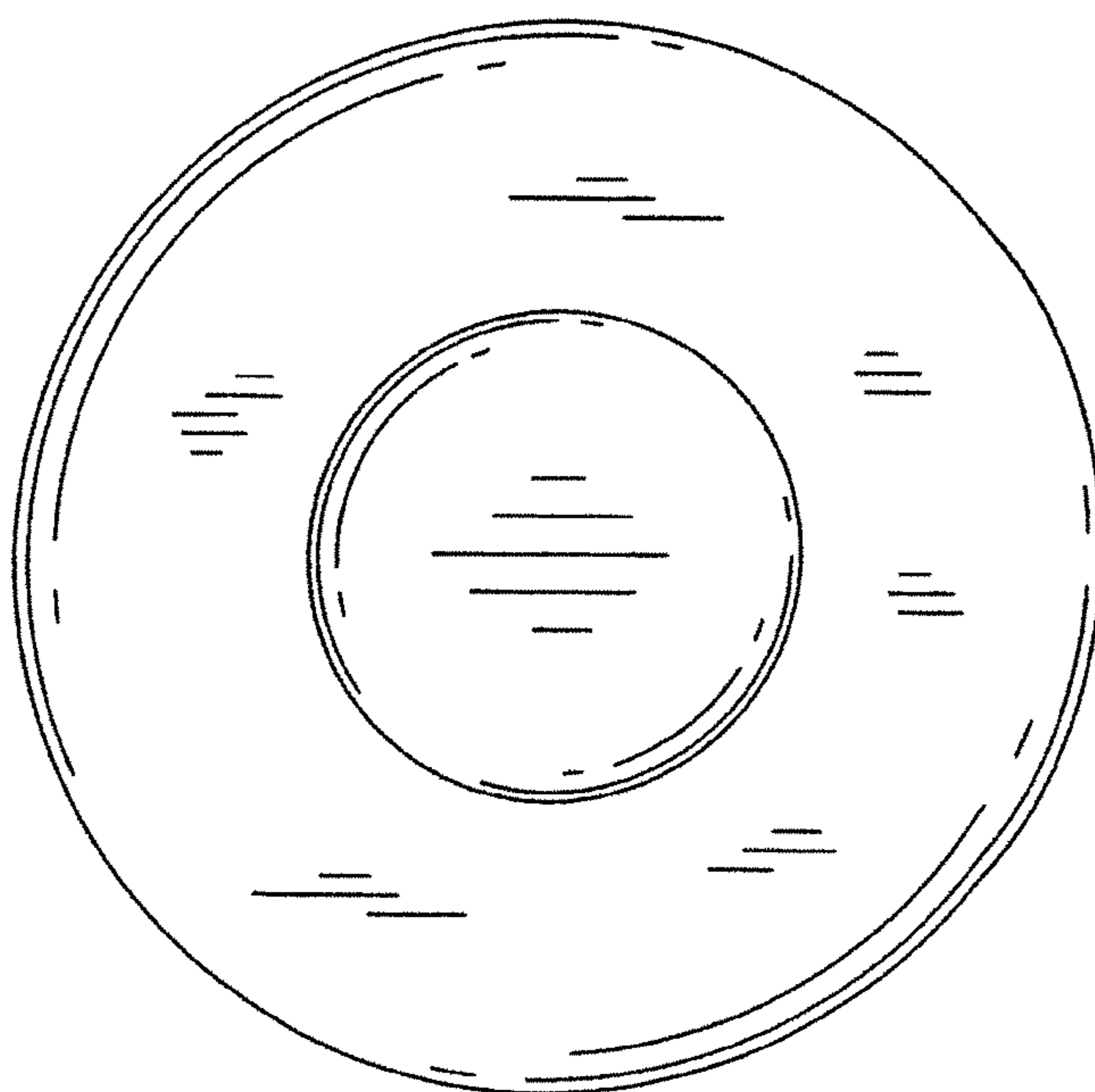


Fig. 2

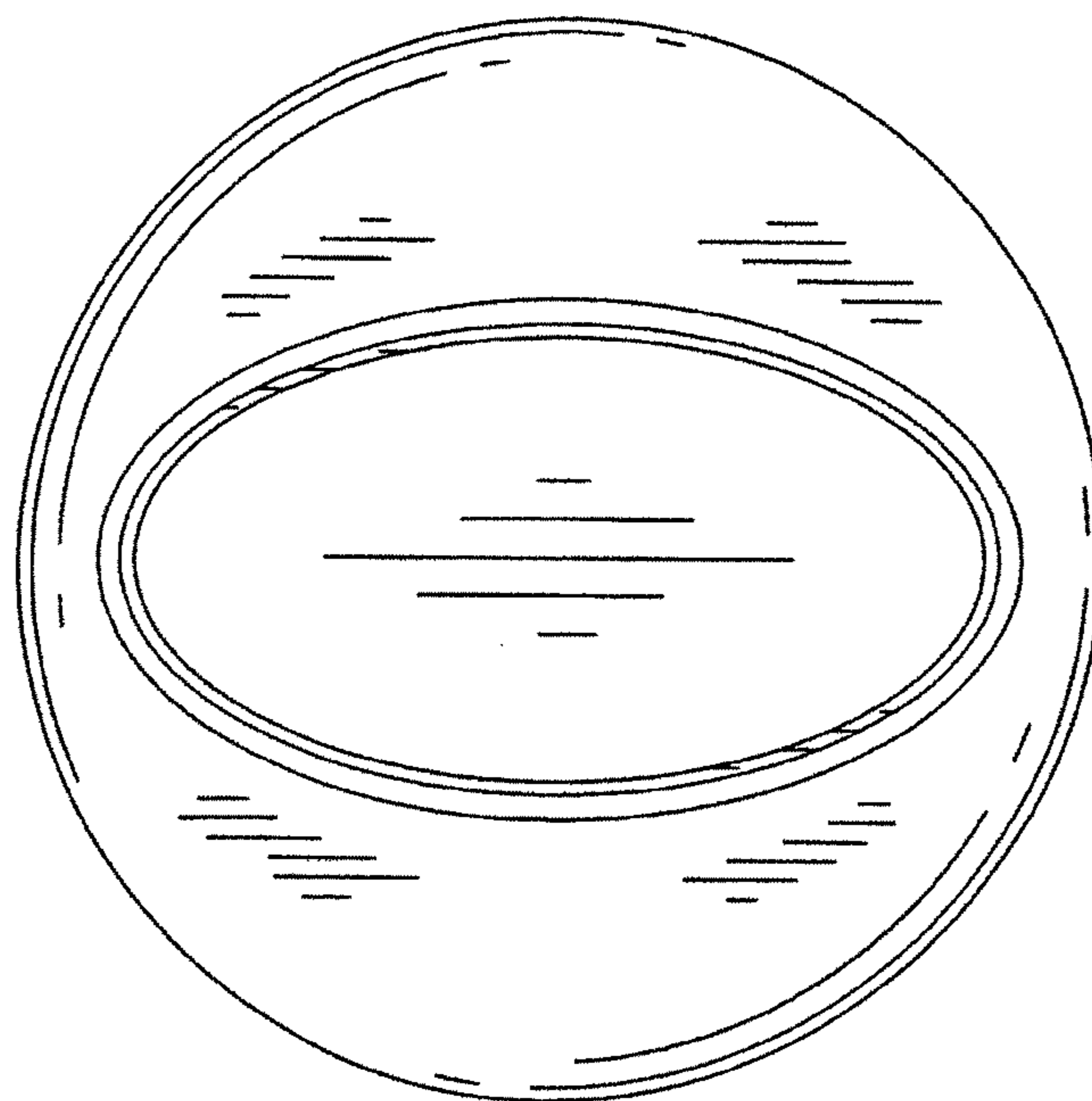


Fig. 3

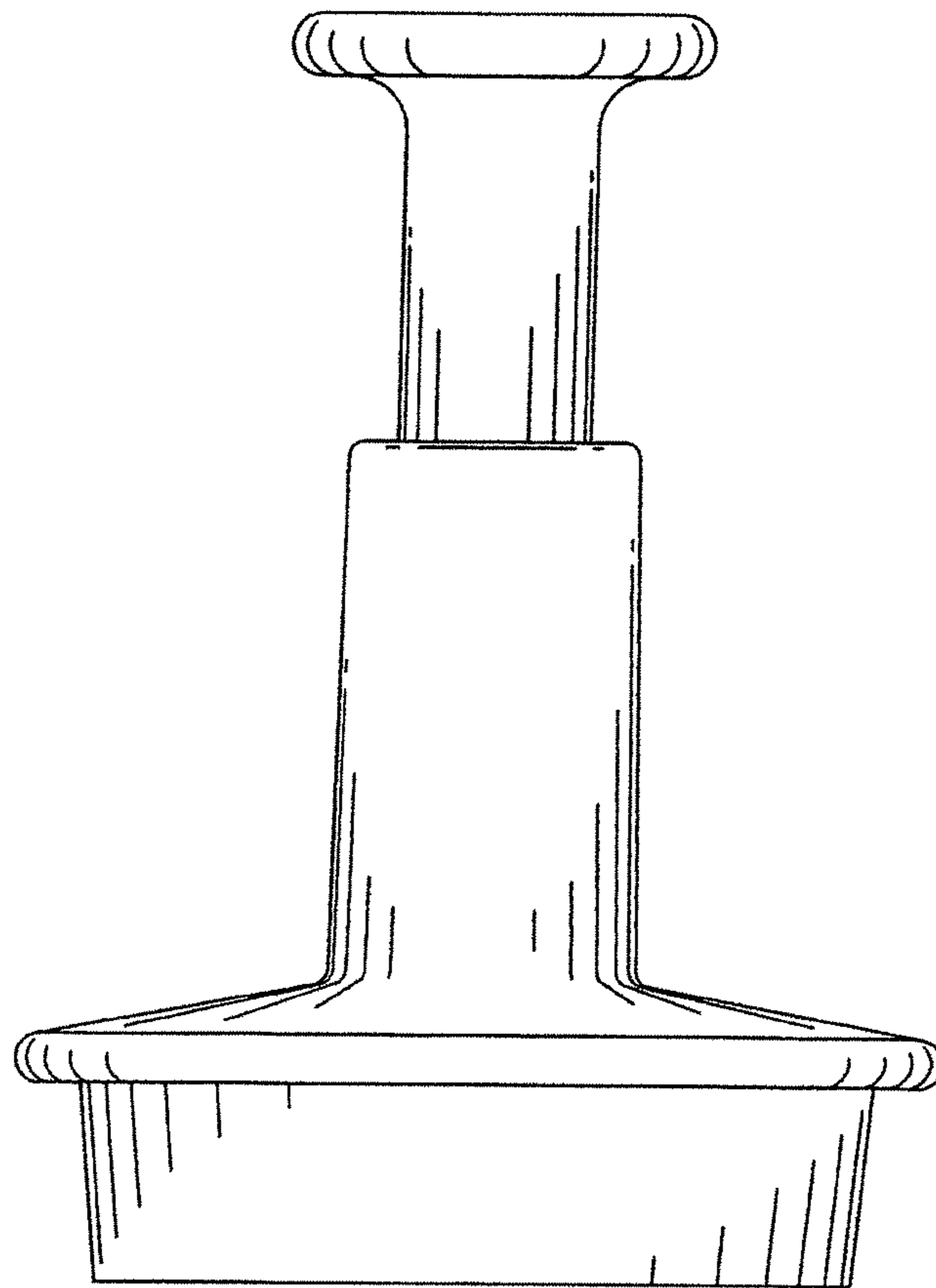


Fig. 4

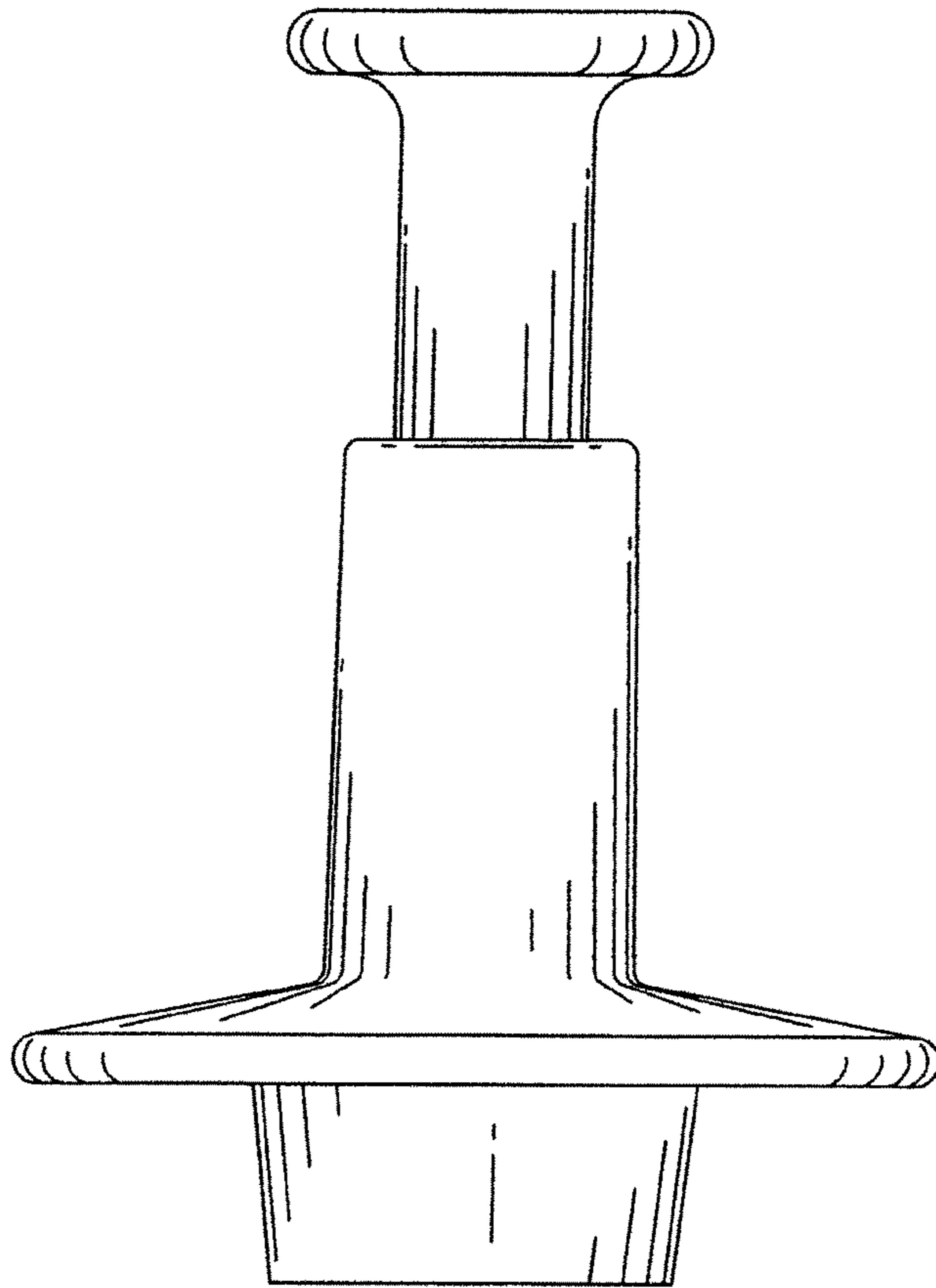


Fig. 5

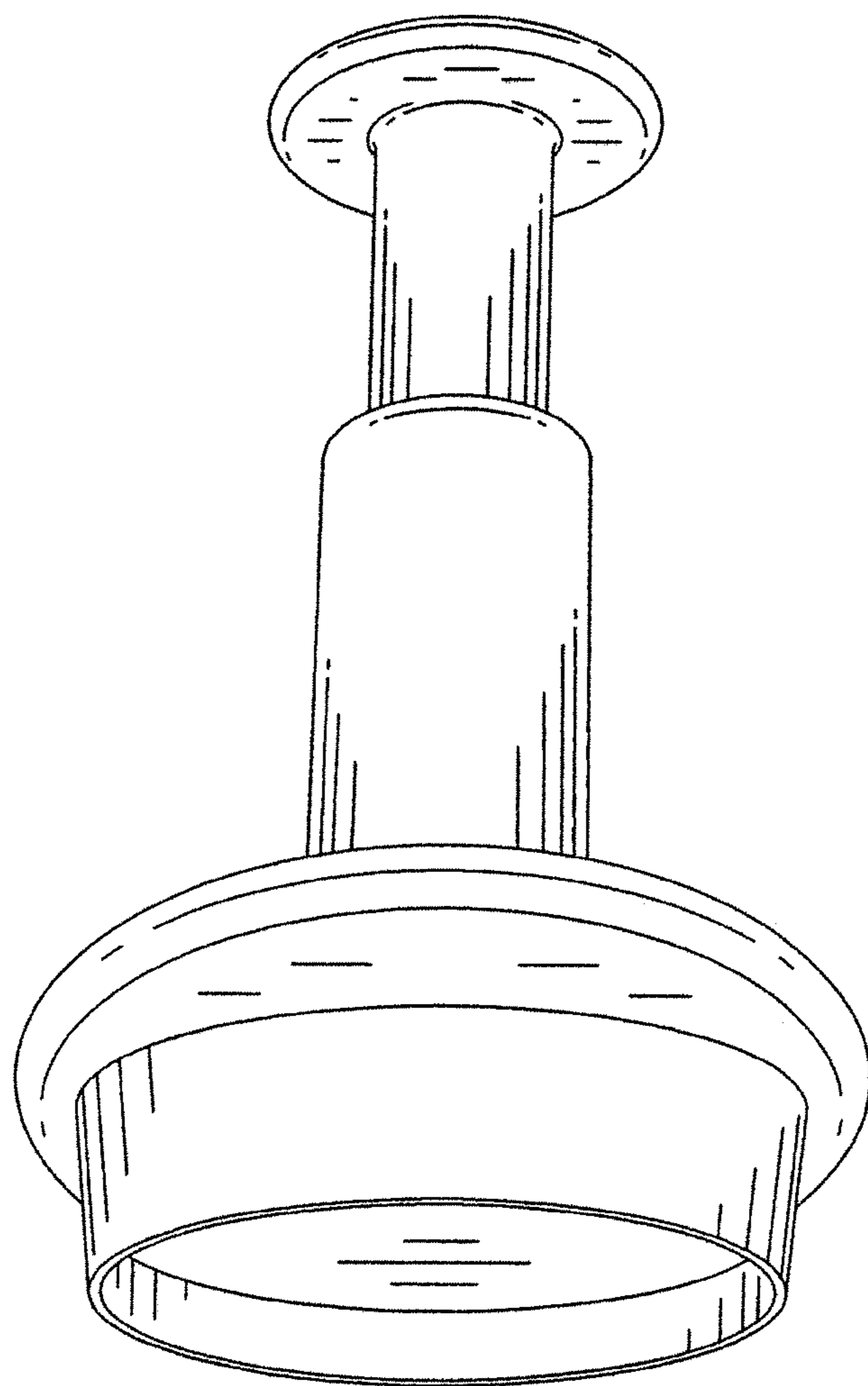


Fig. 6