



US00D680822S

(12) **United States Design Patent**
Dichraff et al.

(10) **Patent No.:** **US D680,822 S**
(45) **Date of Patent:** **** Apr. 30, 2013**

(54) **FOOD CUTTER HOPPER**
(75) Inventors: **Aric Dichraff**, Madison, WI (US); **Craig Stevenson**, Saukville, WI (US); **Charles Choi**, Chicago, IL (US); **Mark Pavel**, Lisle, IL (US)

5,289,760 A 3/1994 Barradas
5,970,860 A 10/1999 Yip
D507,455 S * 7/2005 Bertulis D7/376
D543,774 S * 6/2007 Rohrer D7/381
7,337,997 B2 * 3/2008 Ko 241/93
7,520,453 B2 4/2009 Clapp et al.
7,568,646 B2 8/2009 Lin

(73) Assignee: **Hy Cite Enterprises LLC**, Madison, WI (US)

(Continued)

(**) Term: **14 Years**

(21) Appl. No.: **29/422,082**

OTHER PUBLICATIONS
United States Patent Office Notice of Allowance for U.S. Appl. No. 29/422,075 dated Dec. 10, 2012 (7 pages).
United States Patent Office Notice of Allowance for U.S. Appl. No. 29/422,078 dated Dec. 10, 2012 (7 pages).

(22) Filed: **May 16, 2012**

(Continued)

(51) **LOC (9) Cl.** **07-04**

(52) **U.S. Cl.**
USPC **D7/693; D7/381**

Primary Examiner — Terry Wallace
(74) *Attorney, Agent, or Firm* — Michael Best & Friedrich LLP

(58) **Field of Classification Search** D7/693,
D7/672, 673, 381–385, 412, 414, 372, 373,
D7/678; 366/64–67, 98, 197–221, 241–254,
366/279–292, 341–343; 99/501–511, 337,
99/645; 241/168, 169.1, 273.1–273.4, 162,
241/164, 272, 285.1, 285.2, 100, 159, 270,
241/92, 93, 95, 30–37.5

(57) **CLAIM**
The ornamental design for a food cutter hopper, as shown and described.

See application file for complete search history.

DESCRIPTION

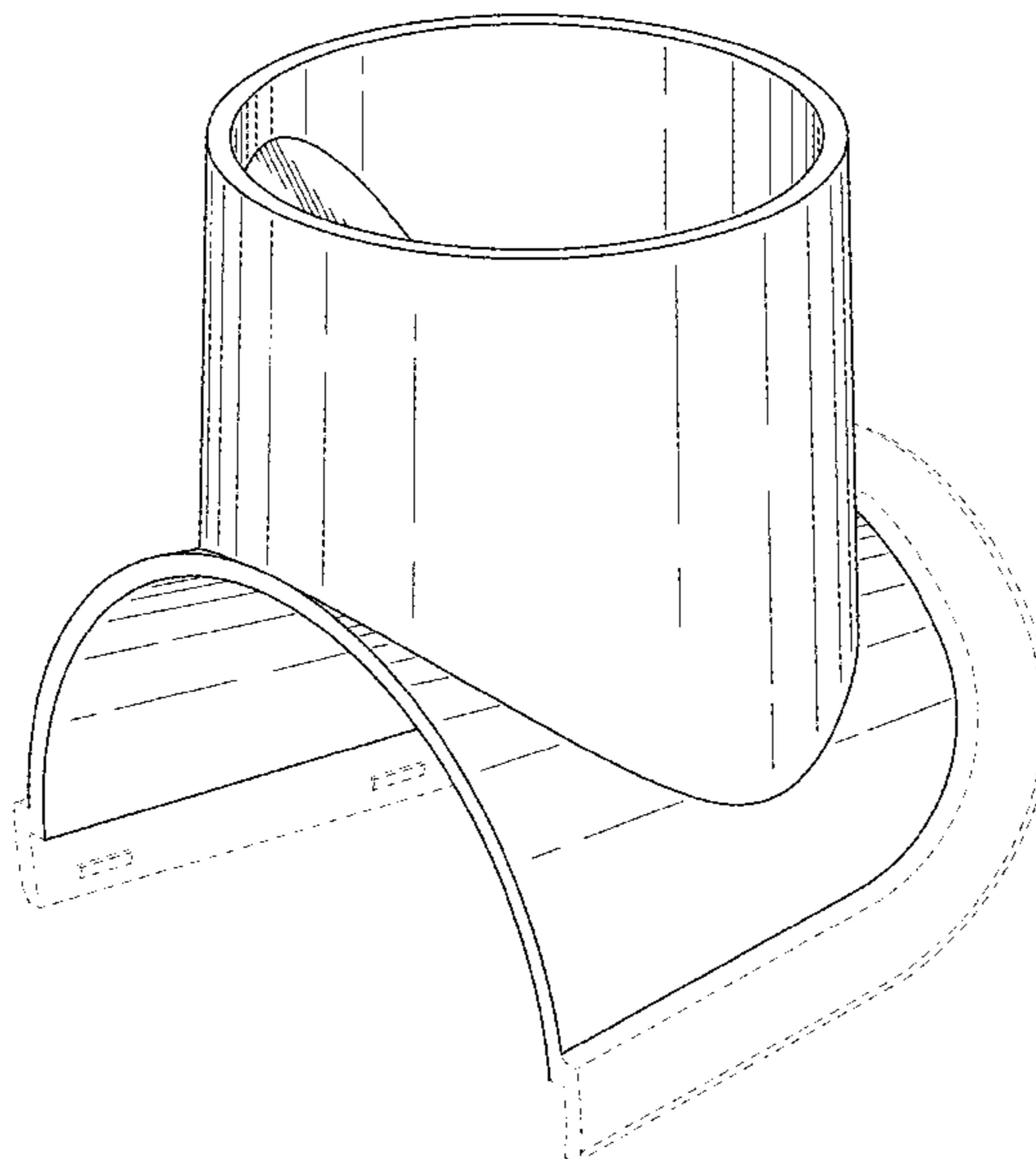
(56) **References Cited**

U.S. PATENT DOCUMENTS

2,145,421 A 1/1939 Jungbecker
3,376,910 A 4/1968 Popeil
3,527,277 A 9/1970 Woods
3,610,304 A * 10/1971 Popeil et al. 241/92
4,081,145 A 3/1978 Moe et al.
4,213,570 A 7/1980 Jones
4,227,656 A * 10/1980 Engebretsen 241/93
D260,129 S * 8/1981 Shun D7/678
D260,351 S * 8/1981 Shun D7/372
D261,472 S * 10/1981 Graham et al. D7/383
D276,202 S * 11/1984 Shun D7/678

FIG. 1 is a perspective view of the food cutter hopper.
FIG. 2 is a side view of the food cutter hopper shown in FIG. 1.
FIG. 3 is another side view of the food cutter hopper shown in FIG. 1.
FIG. 4 is front view of the food cutter hopper of FIG. 1.
FIG. 5 is a rear view of the food cutter hopper of FIG. 1.
FIG. 6 is a top view of the food cutter hopper of FIG. 1; and, FIG. 7 is bottom view of the food cutter hopper of FIG. 1.
The present application is directed to the design illustrated in the drawings. The broken line portions of the disclosure are for illustrative purposes only and form no part of the claimed design.

1 Claim, 5 Drawing Sheets



US D680,822 S

Page 2

U.S. PATENT DOCUMENTS

7,637,445 B2 12/2009 So et al.
D610,397 S * 2/2010 Rohrer D7/381
D614,458 S 4/2010 Chan
D615,373 S 5/2010 Chan
D619,848 S 7/2010 Rohrer

OTHER PUBLICATIONS

United States Patent Office Notice of Allowance for U.S. Appl. No.
29/422,079 dated Dec. 17, 2012 (7 pages).

* cited by examiner

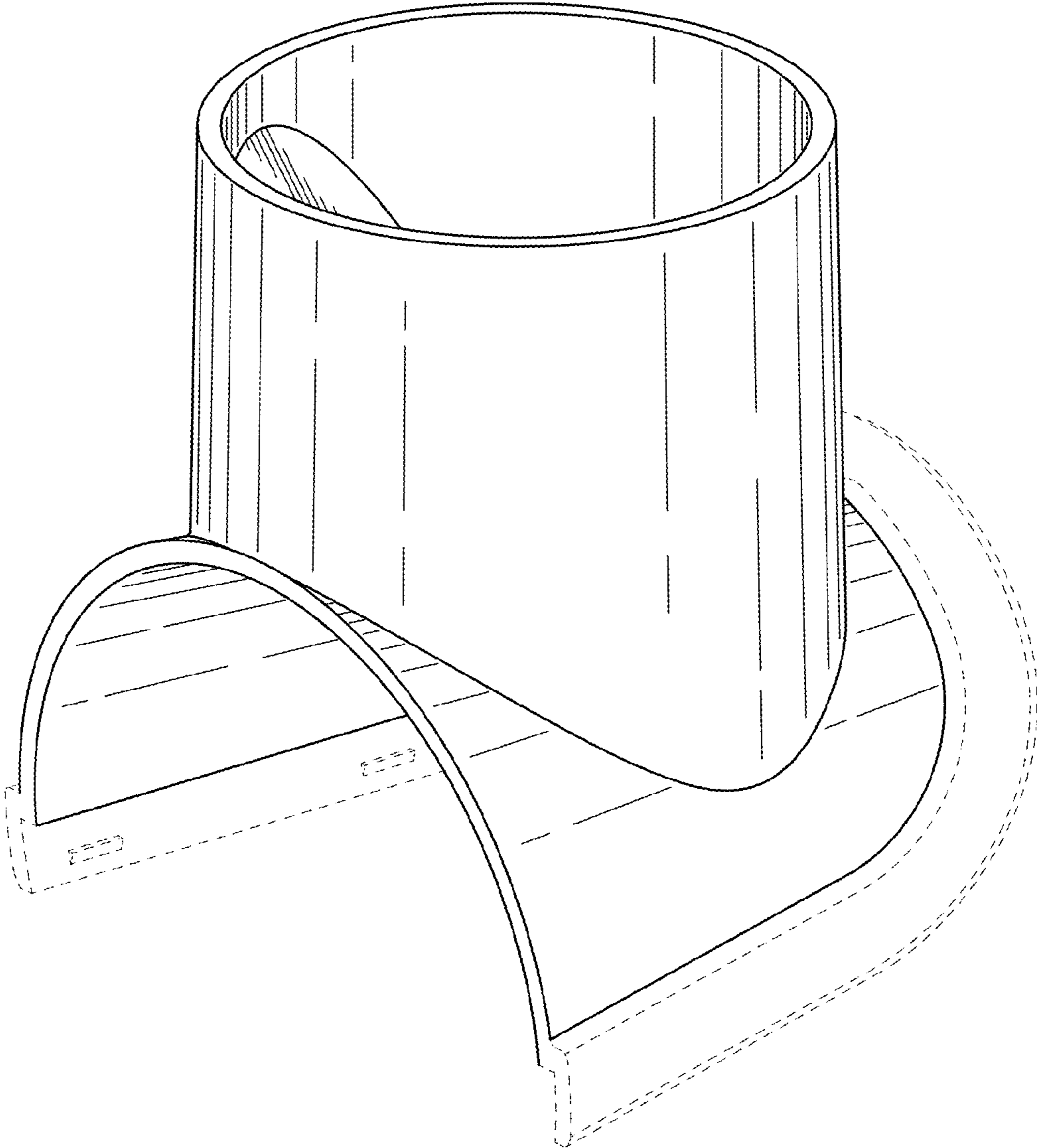


FIG. 1

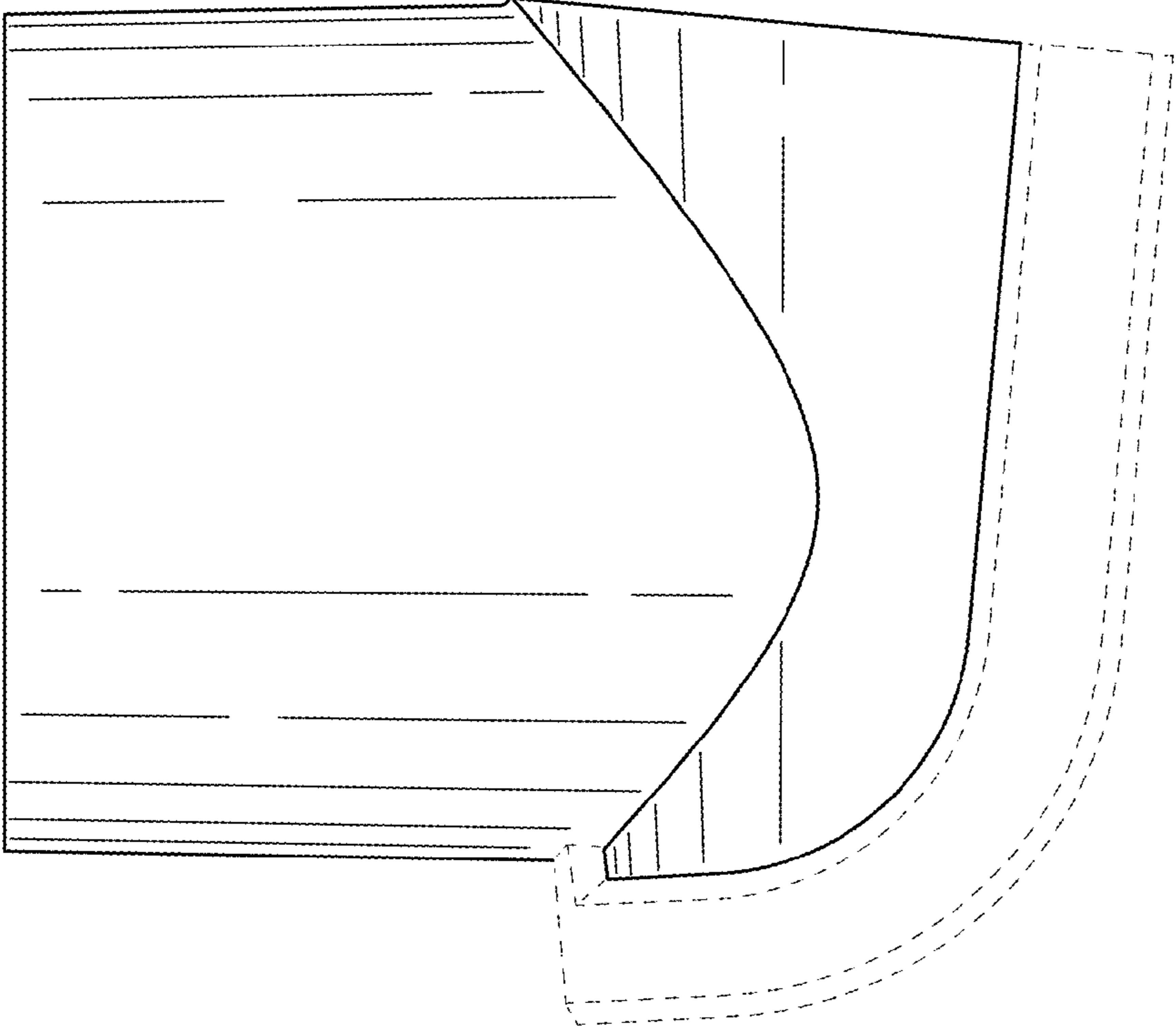


FIG. 2

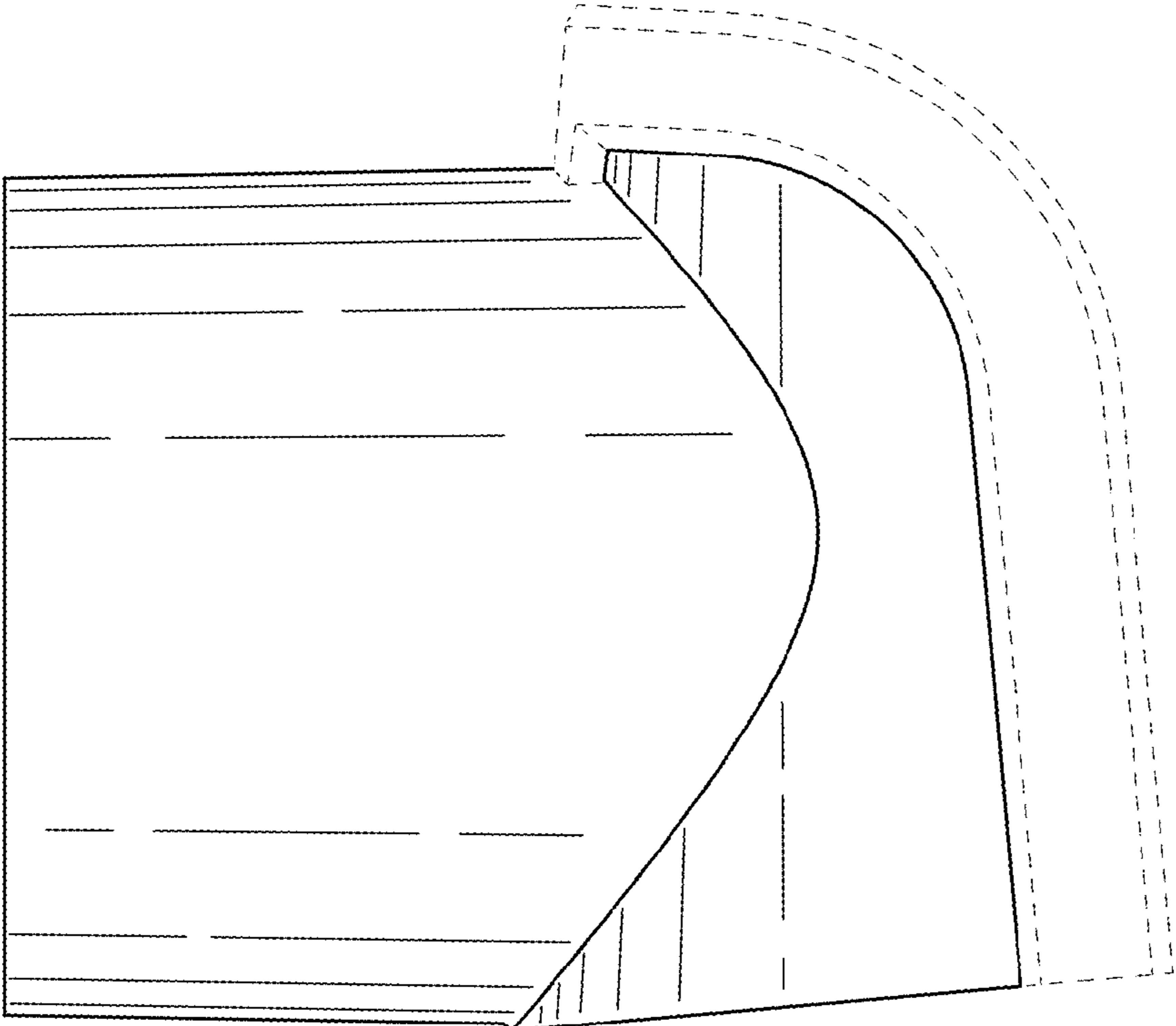


FIG. 3

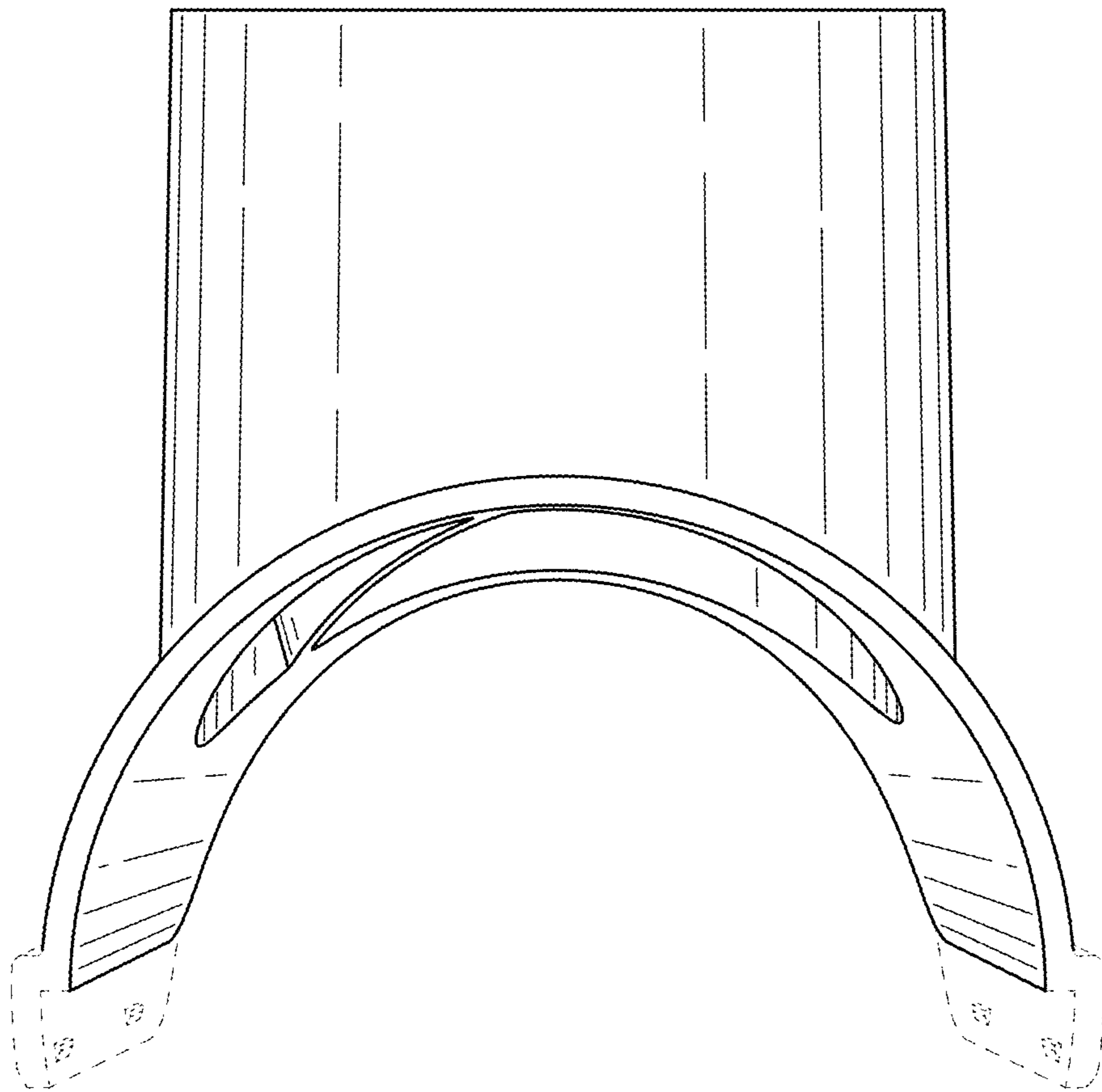


FIG. 4

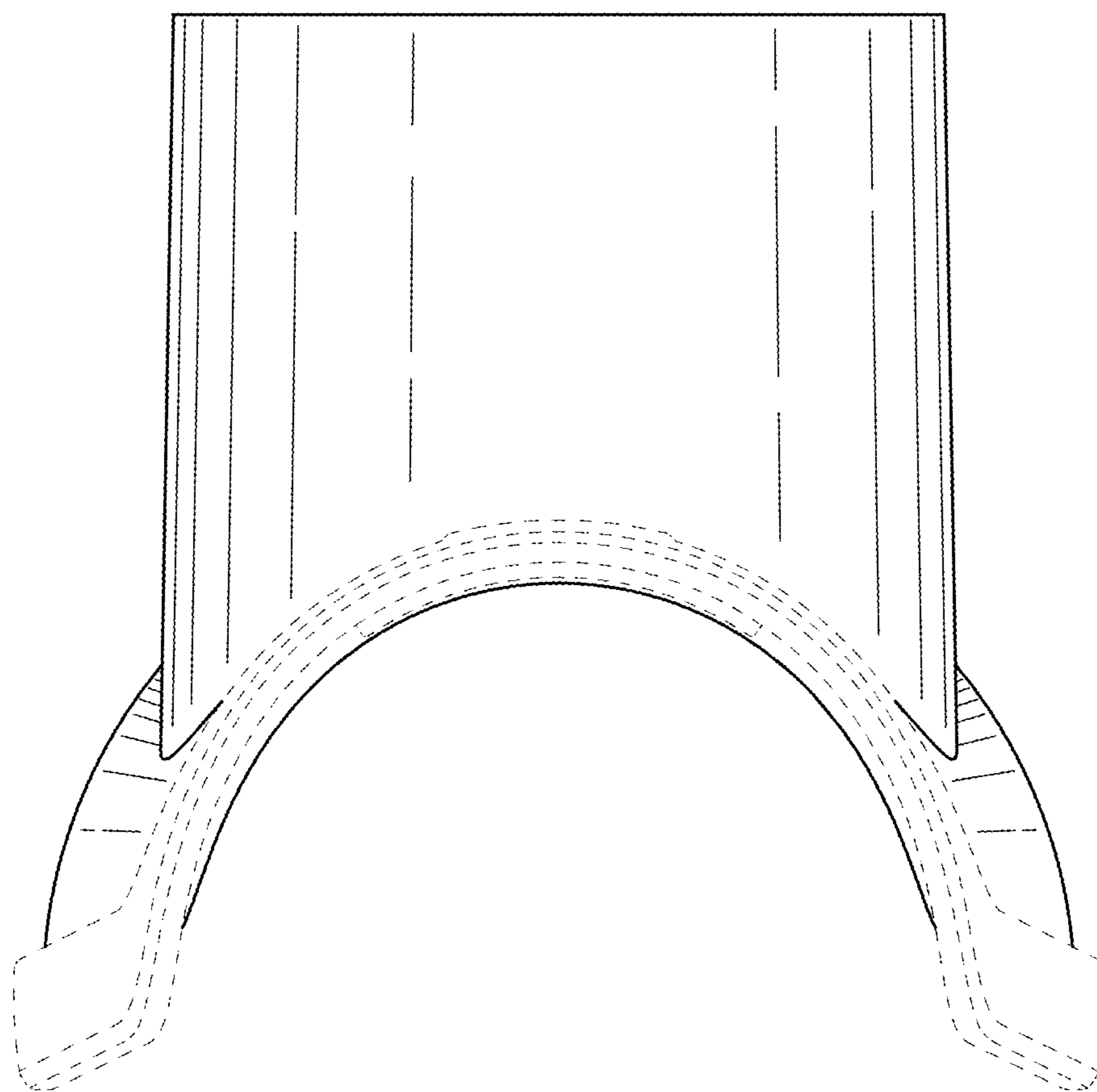


FIG. 5

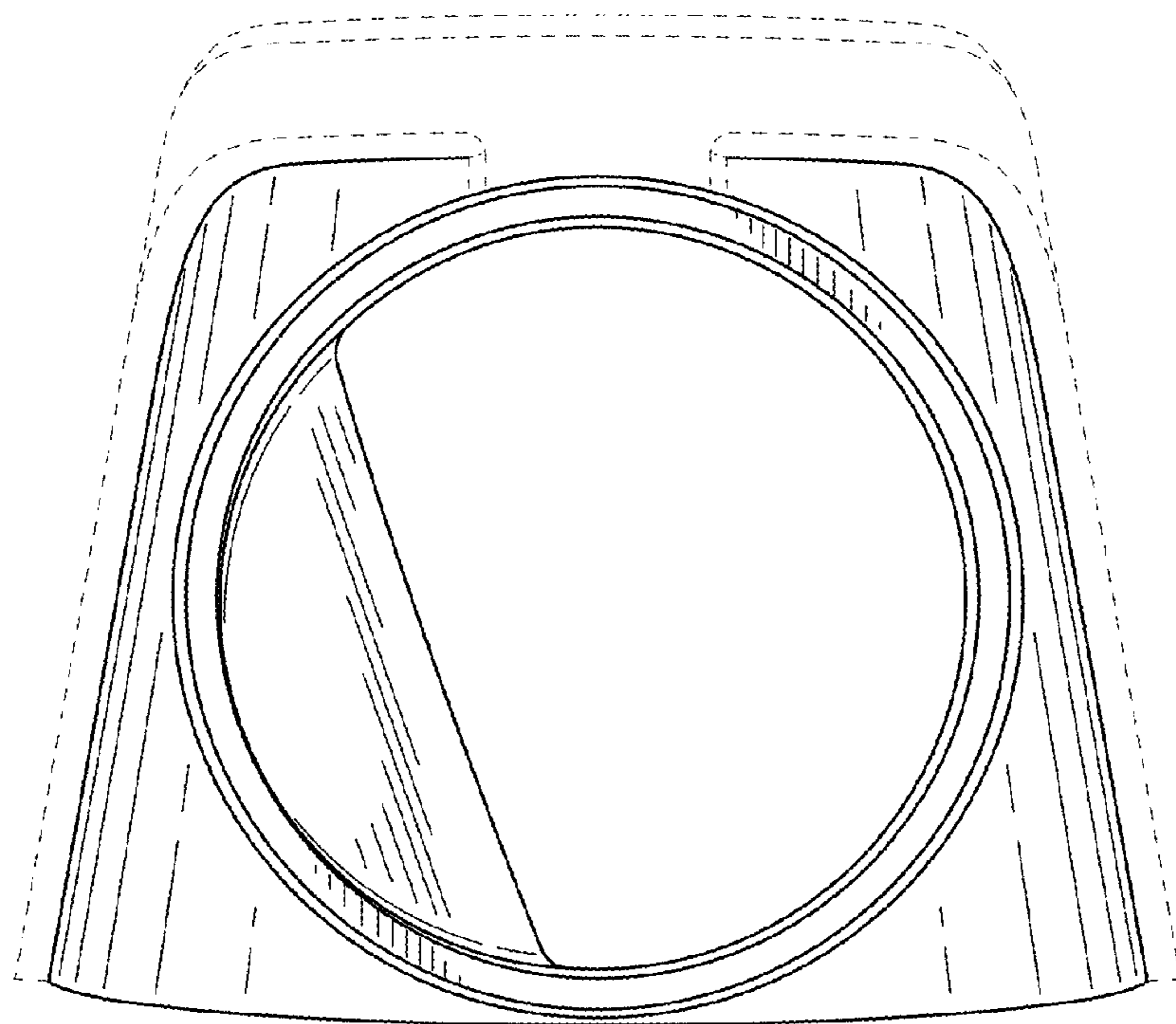


FIG. 6

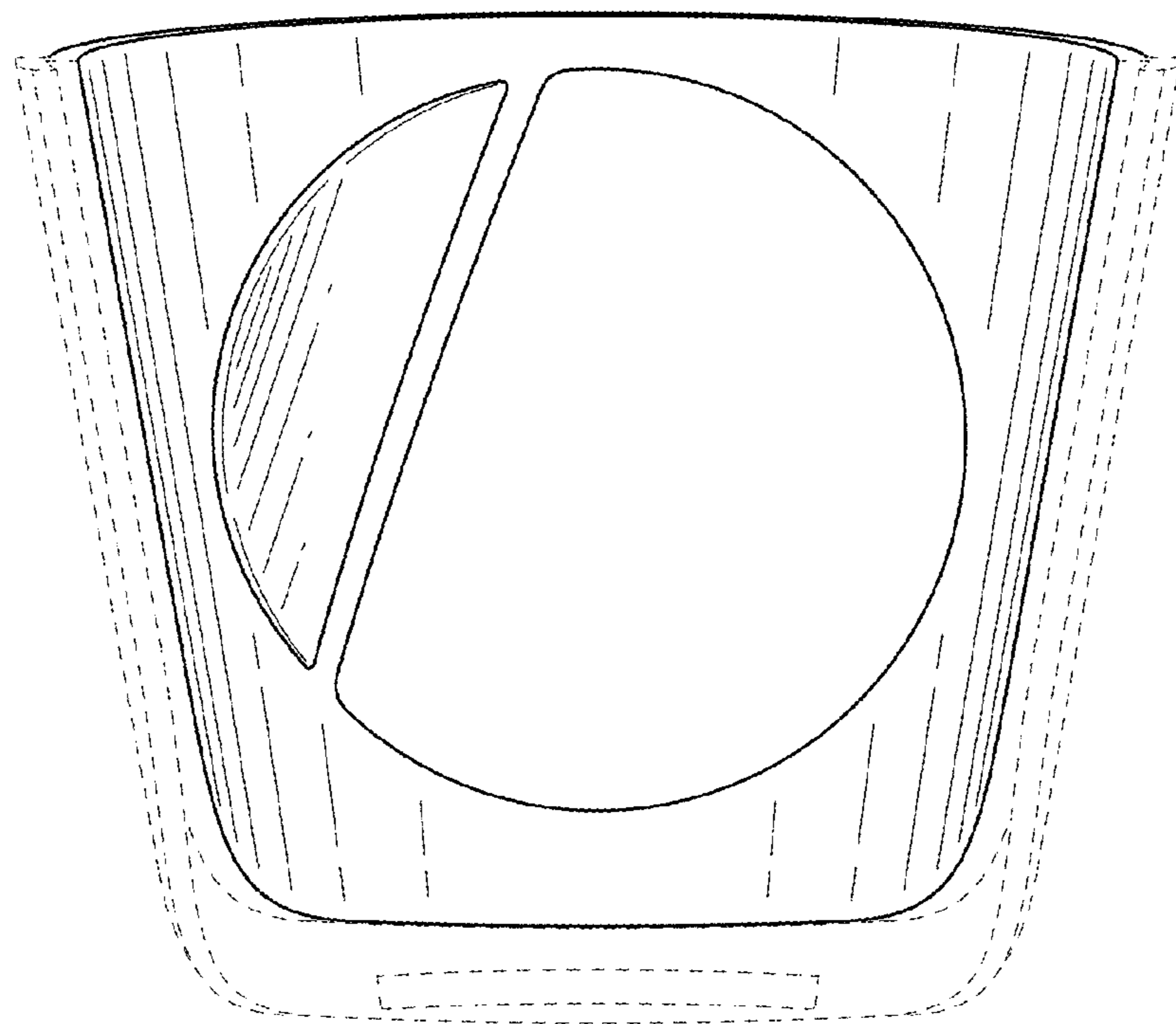


FIG. 7