



US00D680819S

(12) **United States Design Patent**  
**Patel et al.**

(10) **Patent No.:** **US D680,819 S**

(45) **Date of Patent:** **\*\* Apr. 30, 2013**

(54) **CUTTER FOR MAKING CAKE DECORATIONS FROM SHEETS OF ICING**

(75) Inventors: **Shailesh Patel**, Ilford (GB); **David James Hunter**, Harrow (GB)

(73) Assignee: **Knightsbridge PME Limited**, Enfield (GB)

(\*\*) Term: **14 Years**

(21) Appl. No.: **29/397,009**

(22) Filed: **Jul. 11, 2011**

(30) **Foreign Application Priority Data**

Jan. 12, 2011 (EM) ..... 001804436-0001

(51) **LOC (9) Cl.** ..... **07-04**

(52) **U.S. Cl.**  
USPC ..... **D7/676**

(58) **Field of Classification Search** ..... D7/368,  
D7/669, 672-677, 693; D18/15; 249/74;  
30/358, 359, 130; 425/298, 299, 125; 99/353  
See application file for complete search history.

(56) **References Cited**

U.S. PATENT DOCUMENTS

607,076	A *	7/1898	Poll	30/130
1,031,243	A *	7/1912	Carnes	30/301
1,618,685	A *	2/1927	Stauffer	30/130
2,008,725	A *	7/1935	Parker	249/74
2,052,510	A *	8/1936	Wooiverton	425/118
2,605,498	A *	8/1952	Manton	425/318
2,620,755	A *	12/1952	Lewis	425/299
2,779,097	A *	1/1957	Frazier	30/130
2,837,761	A *	6/1958	Stiegler	249/74
3,053,203	A *	9/1962	Gaddini	425/299
D203,612	S *	2/1966	Waller, Jr.	D7/677
D244,416	S *	5/1977	Zysset	D7/693
4,029,012	A *	6/1977	Smith et al.	101/368
D270,510	S *	9/1983	Miller	D7/676

4,765,029	A *	8/1988	Rogan	425/444
5,261,325	A *	11/1993	Bengtsson	101/327
5,499,914	A *	3/1996	Rist	425/470
D379,368	S *	5/1997	Harden	D18/15
D401,482	S *	11/1998	De Are	D7/677
6,990,892	B2 *	1/2006	Errera	99/388
7,331,776	B2 *	2/2008	Errera	425/298
D629,661	S *	12/2010	Lion et al.	D7/672
8,230,604	B1 *	7/2012	Corey et al.	30/358
2011/0014373	A1 *	1/2011	Perry	427/256

OTHER PUBLICATIONS

Dove cutters, YouTube.com, posted Oct. 23, 2011 by CakeMasterUK, [online], [site visited Nov. 19, 2012]. Available from Internet, <URL: [http://www.youtube.com/watch?v=PYIL9A\\_wlj4](http://www.youtube.com/watch?v=PYIL9A_wlj4)>.\*

Patel, U.S. Appl. No. 29/400,531, filed Aug. 30, 2011.

Patel, U.S. Appl. No. 29/400,532, filed Aug. 30, 2011.

(Continued)

*Primary Examiner* — Jeffrey D Asch

(74) *Attorney, Agent, or Firm* — Howson & Howson LLP

(57) **CLAIM**

The ornamental design for a cutter for making cake decorations from sheets of icing, as shown and described.

**DESCRIPTION**

FIG. 1 is a perspective view of the top and rear sides of the cutter for making cake decorations from sheets of icing, showing our new design;

FIG. 2 is a top plan view thereof;

FIG. 3 is a bottom plan view thereof;

FIG. 4 is a front elevational view thereof;

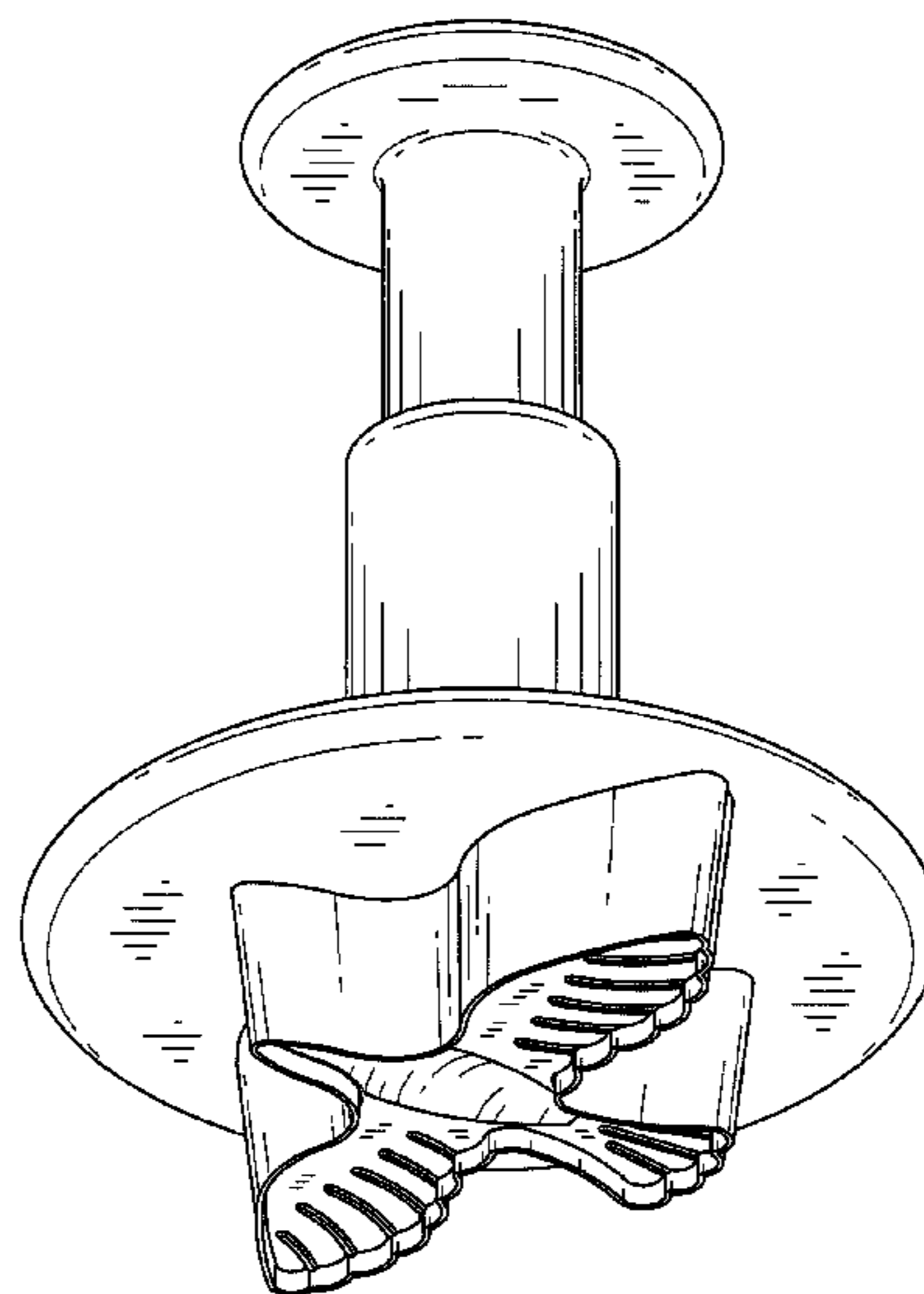
FIG. 5 is a rear elevational view thereof;

FIG. 6 is a right side elevational view thereof;

FIG. 7 is a left side elevational view thereof; and,

FIG. 8 is a perspective view of the bottom, right and front sides thereof.

**1 Claim, 8 Drawing Sheets**



OTHER PUBLICATIONS

Knightsbridge PME 2006 catalog, p. 15.

Ateco web page describing "Four Ring Stamp", [https://www.atecouse.net/Merchant2/merchant.mvc?Screen=PROD&producte\\_Code=1473&Category\\_Code=csets&Product\\_Count=4](https://www.atecouse.net/Merchant2/merchant.mvc?Screen=PROD&producte_Code=1473&Category_Code=csets&Product_Count=4) date unknown.

KitchenKrafts web page depicting Cupcake Corer/Plunger. <http://www.kitchenkrafts.com/petit-four-cutter-set-9-pc-/p/CD2009/sid/CHAMP/> date unknown.

Unpublished U.S. Appl. No. 29/433,221 for Handheld Kitchen Cutting Appliance.

Unpublished U.S. Appl. No. 29/433,220 for Handheld Kitchen Cutting Appliance.

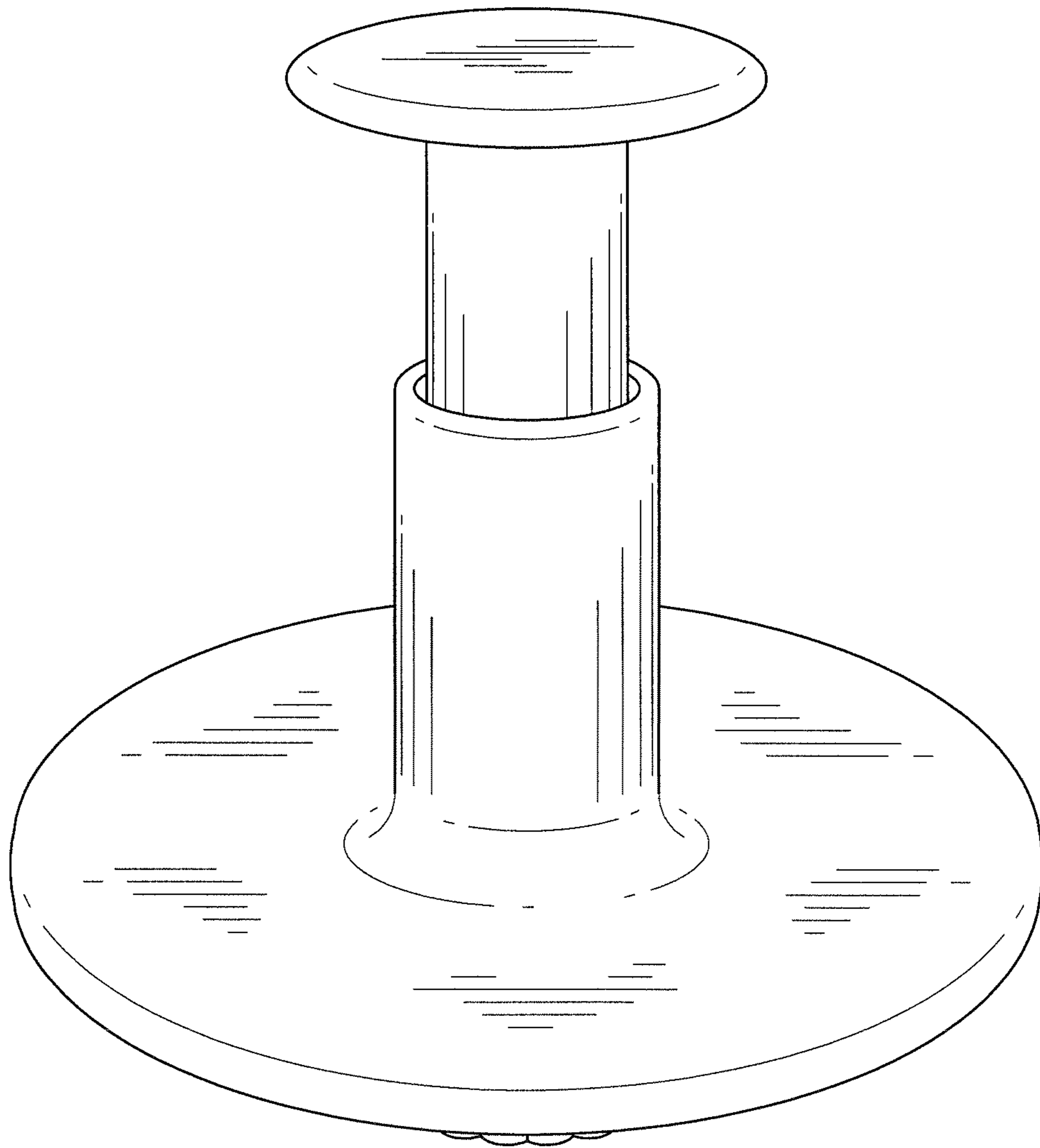
Unpublished U.S. Appl. No. 29/433,217 for Handheld Kitchen Cutting Appliance.

Unpublished U.S. Appl. No. 29/433,216 for Handheld Kitchen Cutting Appliance.

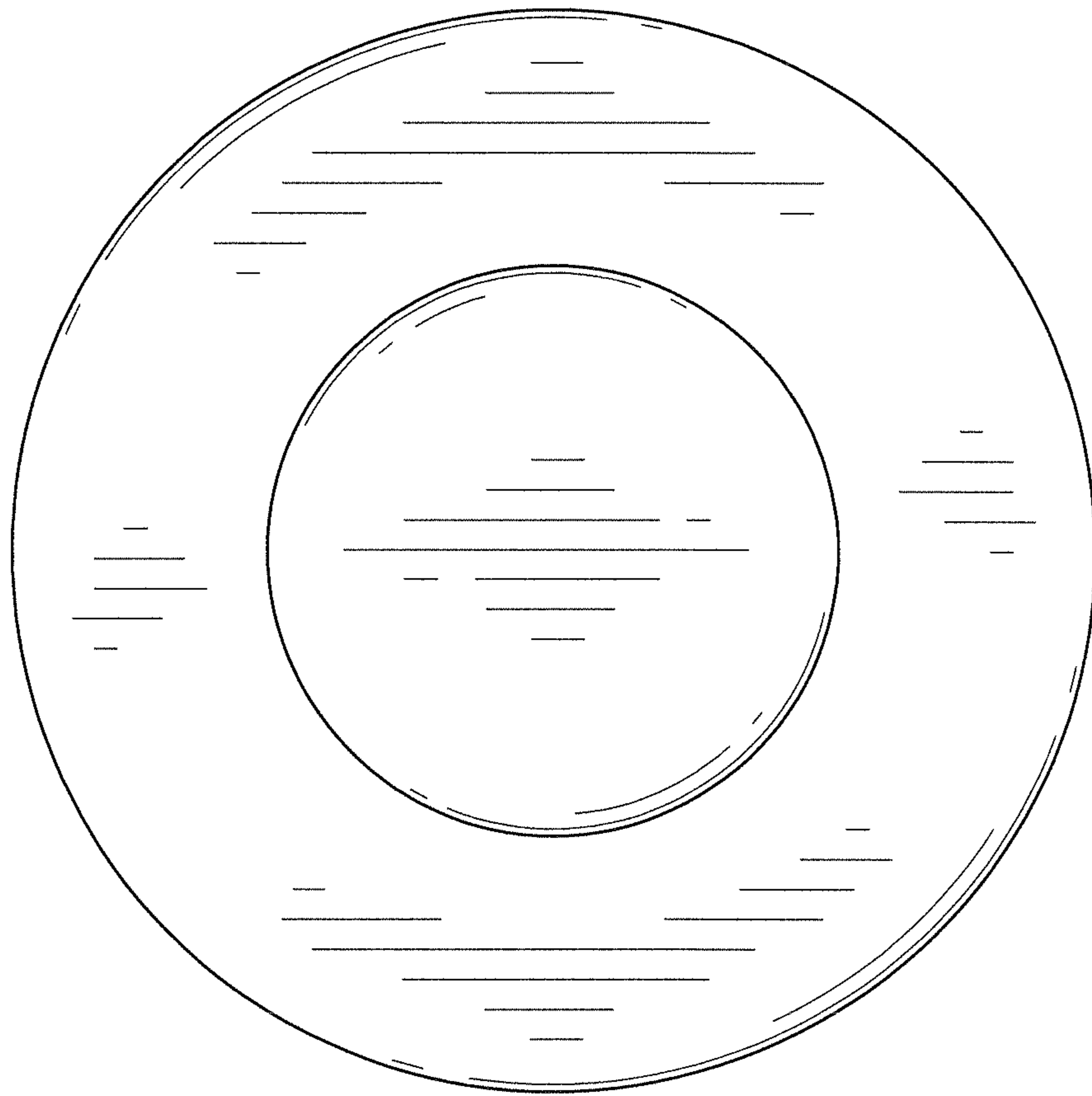
Unpublished U.S. Appl. No. 29/400,532 for Handheld Kitchen Cutting Appliance.

Unpublished U.S. Appl. No. 29/400,531 for Handheld Kitchen Cutting Appliance.

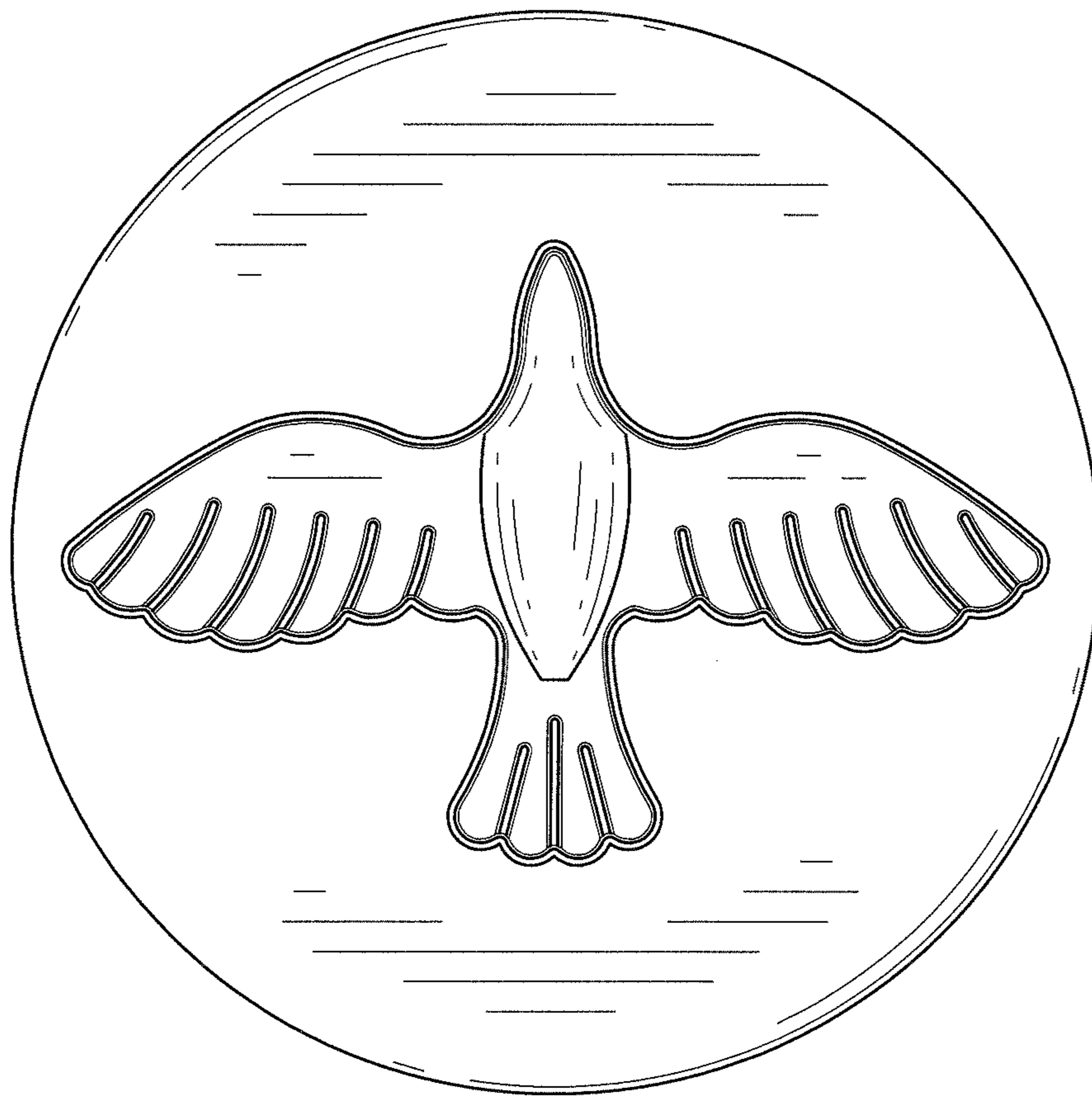
\* cited by examiner



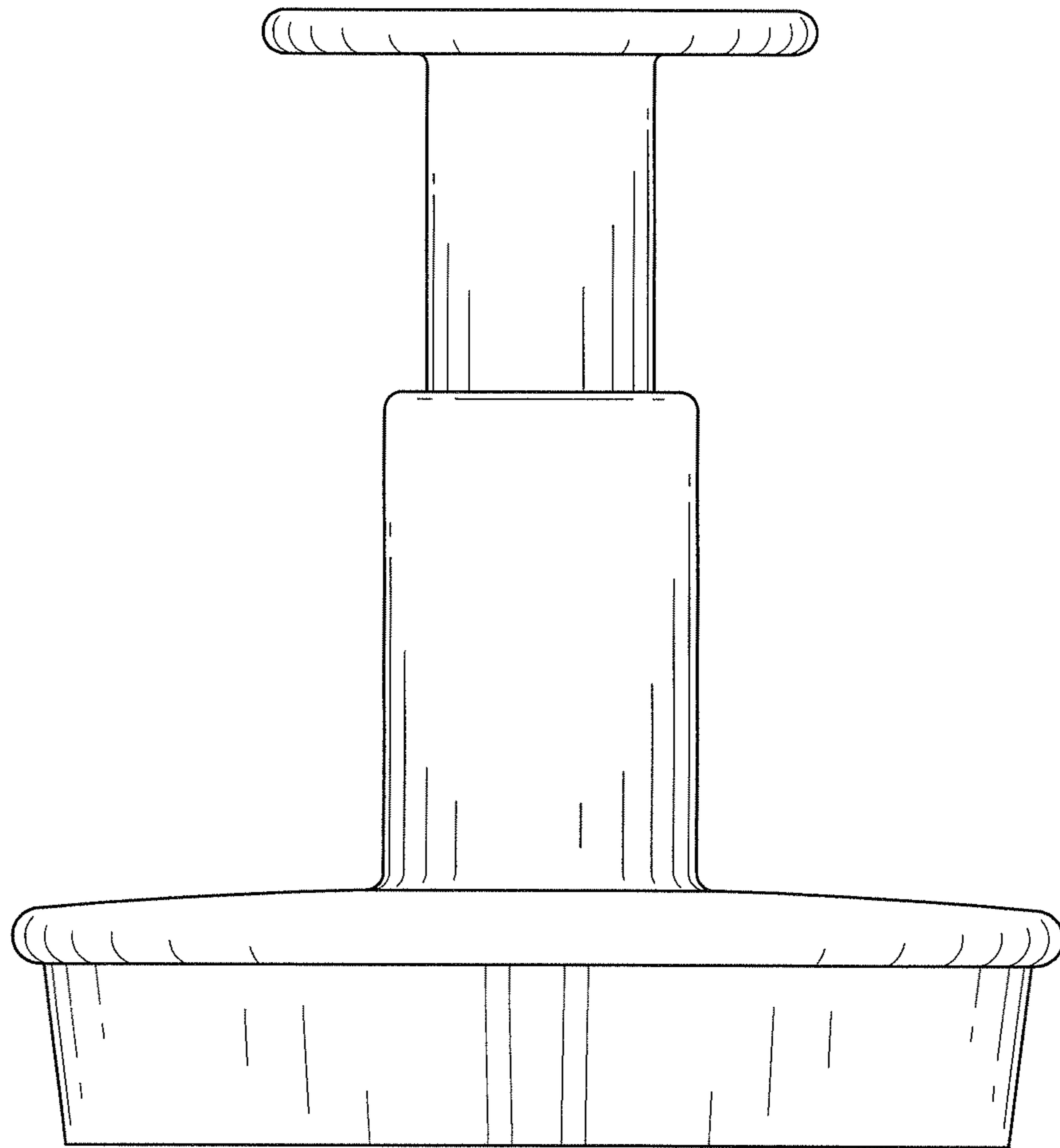
*Fig. 1*



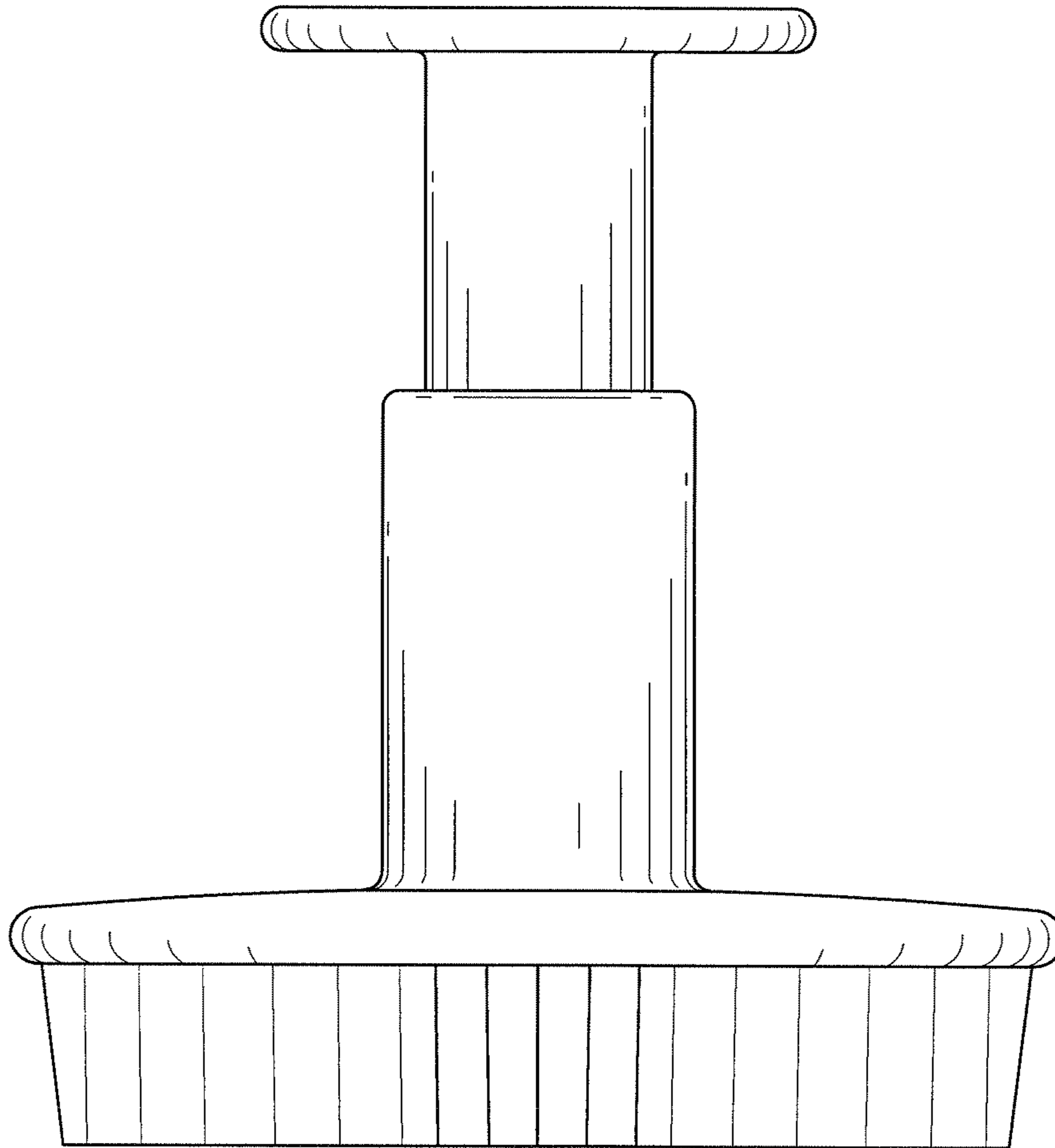
*Fig. 2*



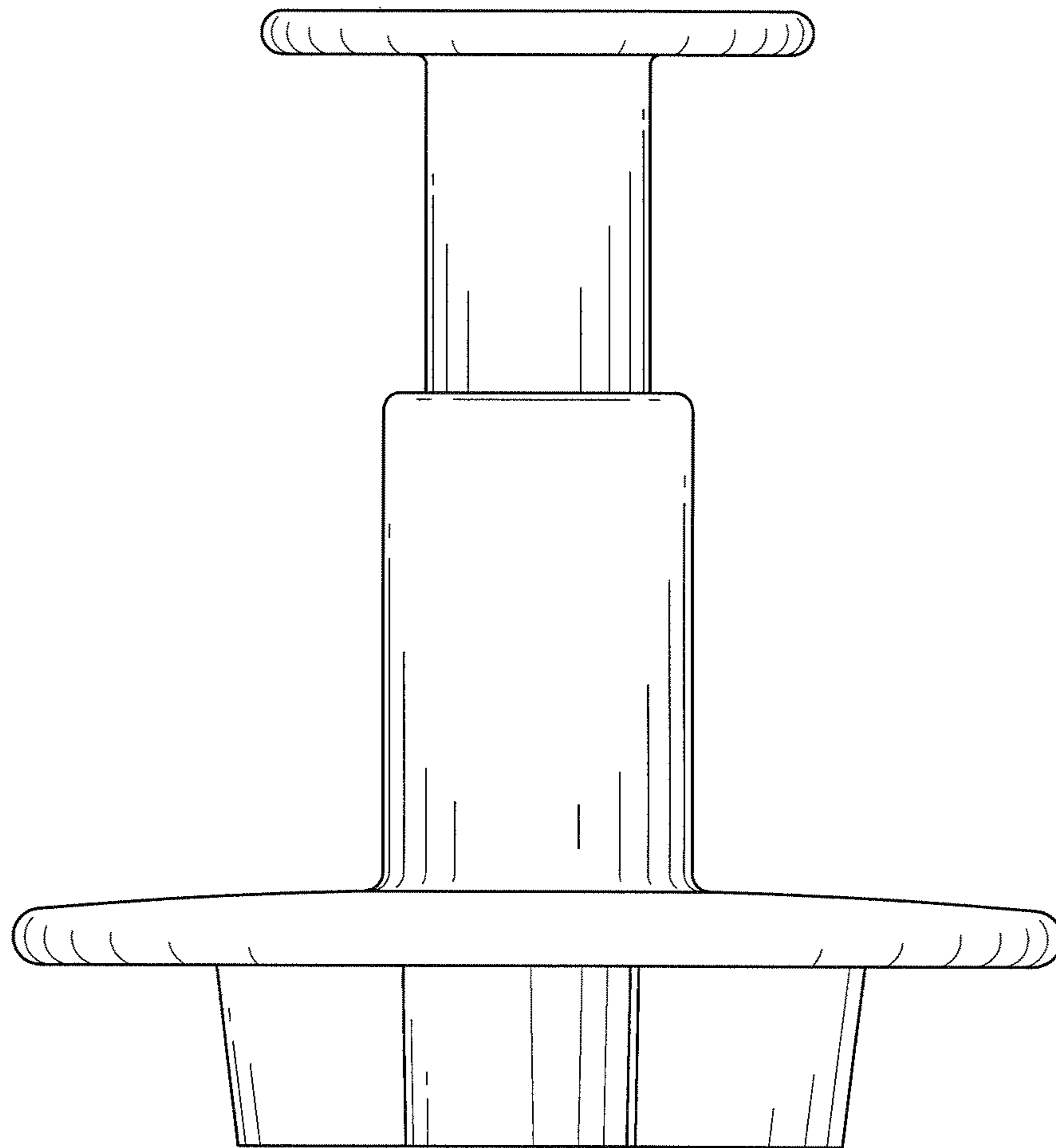
*Fig. 3*



*Fig. 4*

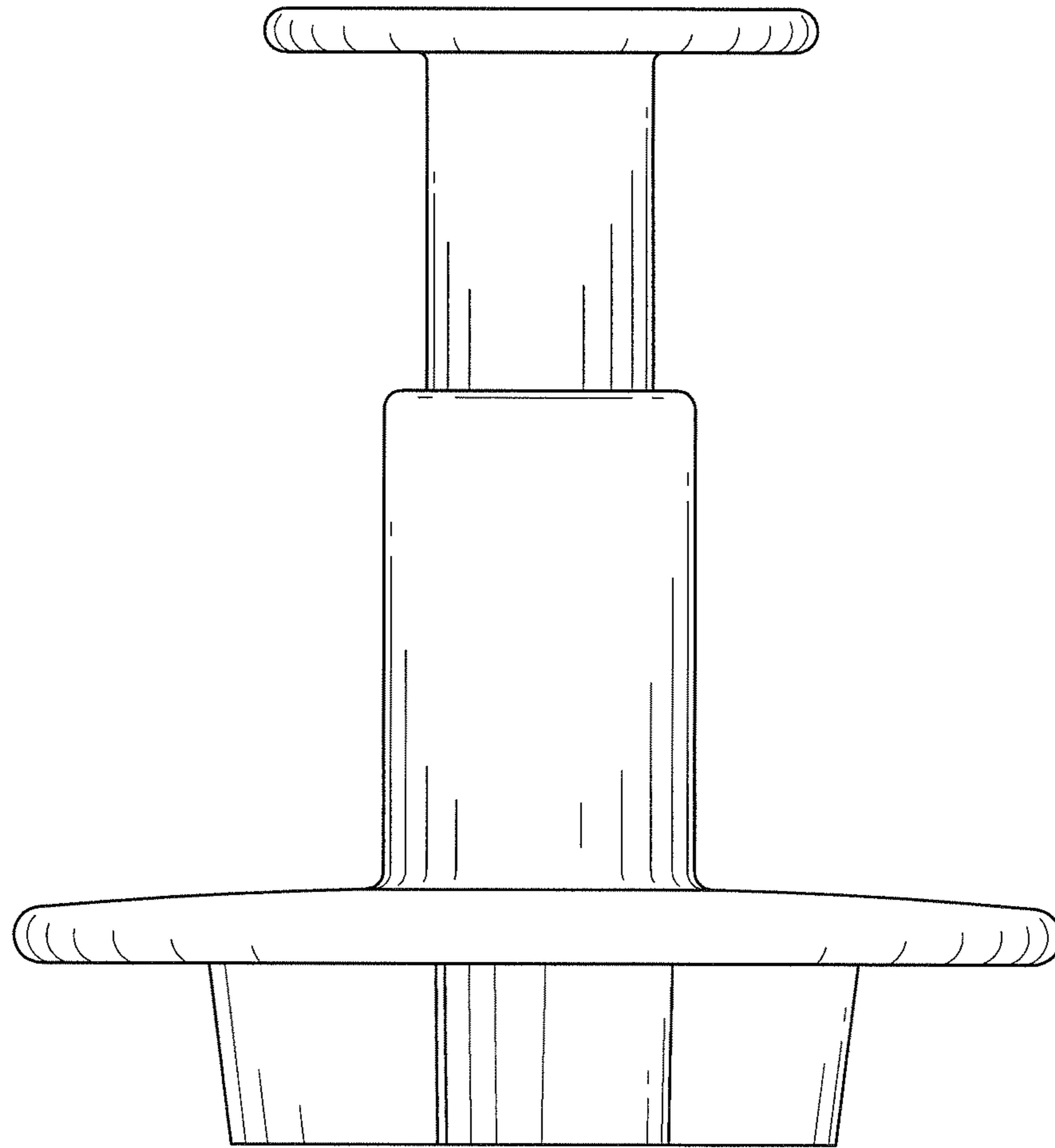


*Fig. 5*

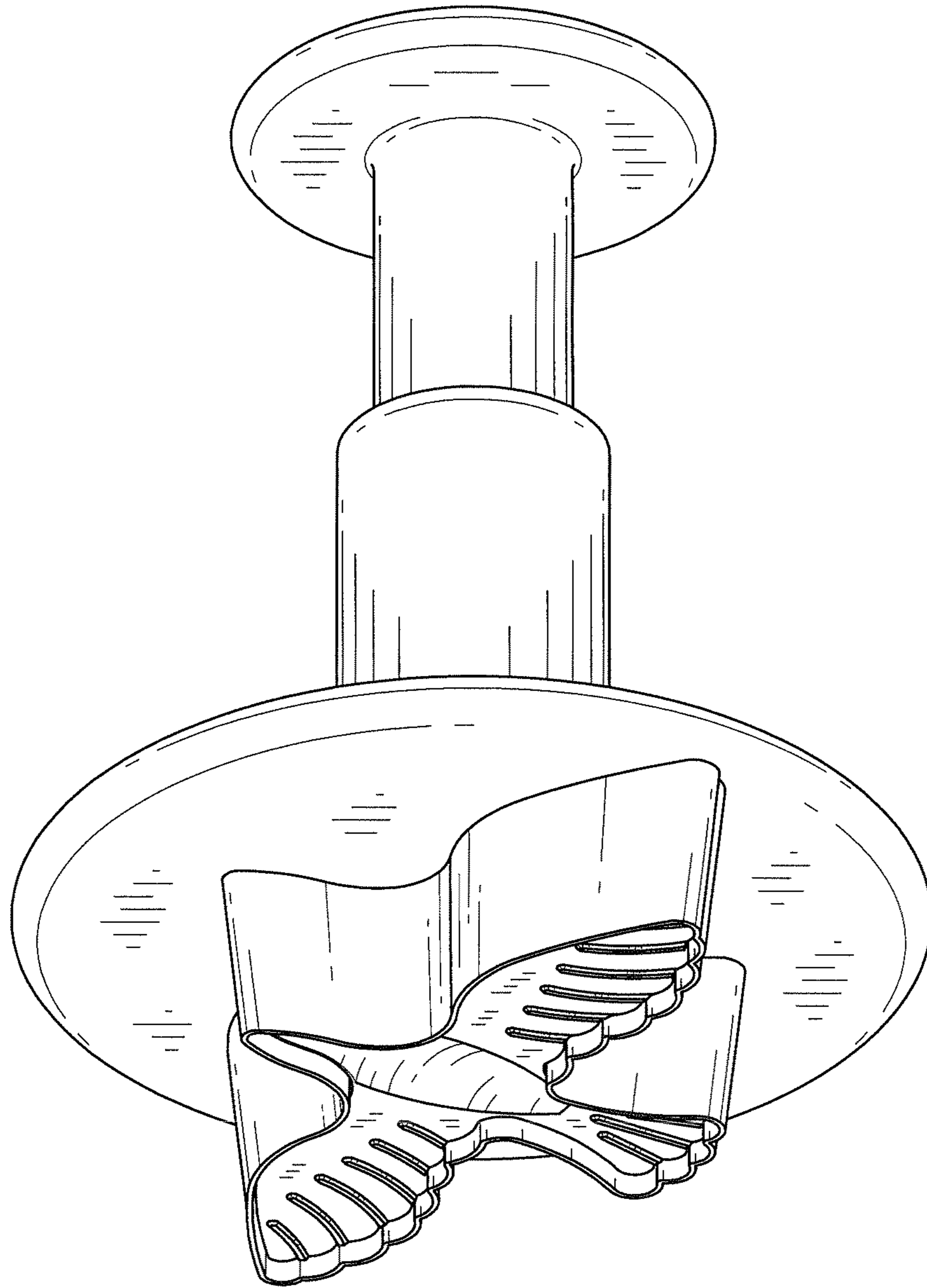


*Fig. 6*





*Fig. 7*



*Fig. 8*