



US00D680818S

(12) **United States Design Patent**  
**Augis**

(10) **Patent No.:** **US D680,818 S**

(45) **Date of Patent:** **\*\* Apr. 30, 2013**

(54) **MOLD FOR PASTRIES**

(76) Inventor: **Rony Augis**, Bois d'Arcy (FR)

(\*\*) Term: **14 Years**

(21) Appl. No.: **29/404,367**

(22) Filed: **Oct. 19, 2011**

(51) **LOC (9) Cl.** ..... **07-02**

(52) **U.S. Cl.**  
USPC ..... **D7/672**

(58) **Field of Classification Search** ..... D7/672-677;  
425/300, 318, 503, 298, 299; 99/375, 378,  
99/380-383

See application file for complete search history.

(56) **References Cited**

**U.S. PATENT DOCUMENTS**

2,780,181 A \* 2/1957 Roman et al. .... 425/299  
5,255,595 A \* 10/1993 Higgins ..... 99/378  
5,613,426 A \* 3/1997 Chan Gabbai ..... 99/375

7,316,555 B2 \* 1/2008 Hubener ..... 425/300  
D604,998 S \* 12/2009 Ablo ..... D7/674  
D651,450 S \* 1/2012 Pallotto ..... D7/368

\* cited by examiner

*Primary Examiner* — Terry Wallace

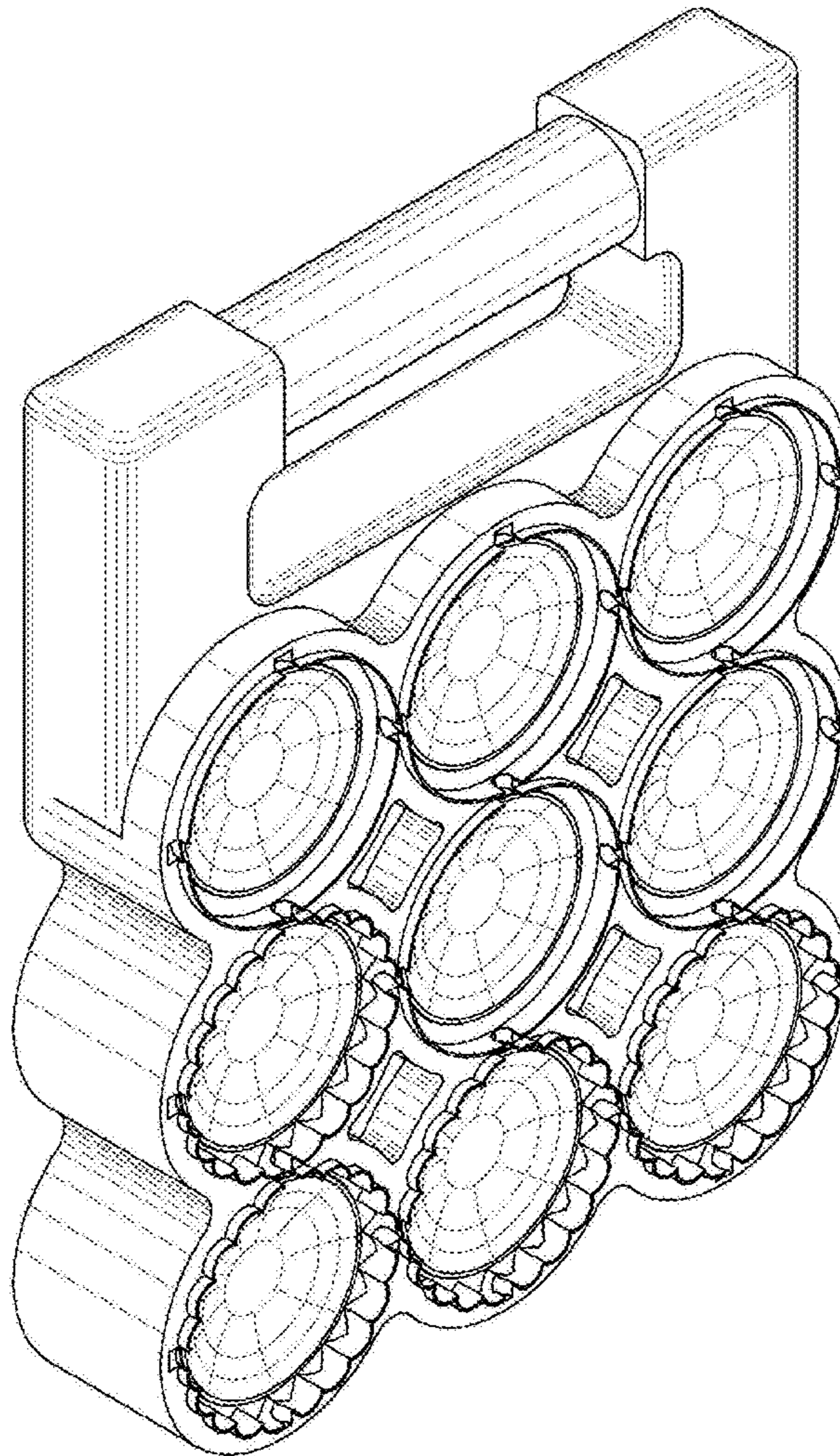
(57) **CLAIM**

The ornamental design for a mold for pastries, as shown and described.

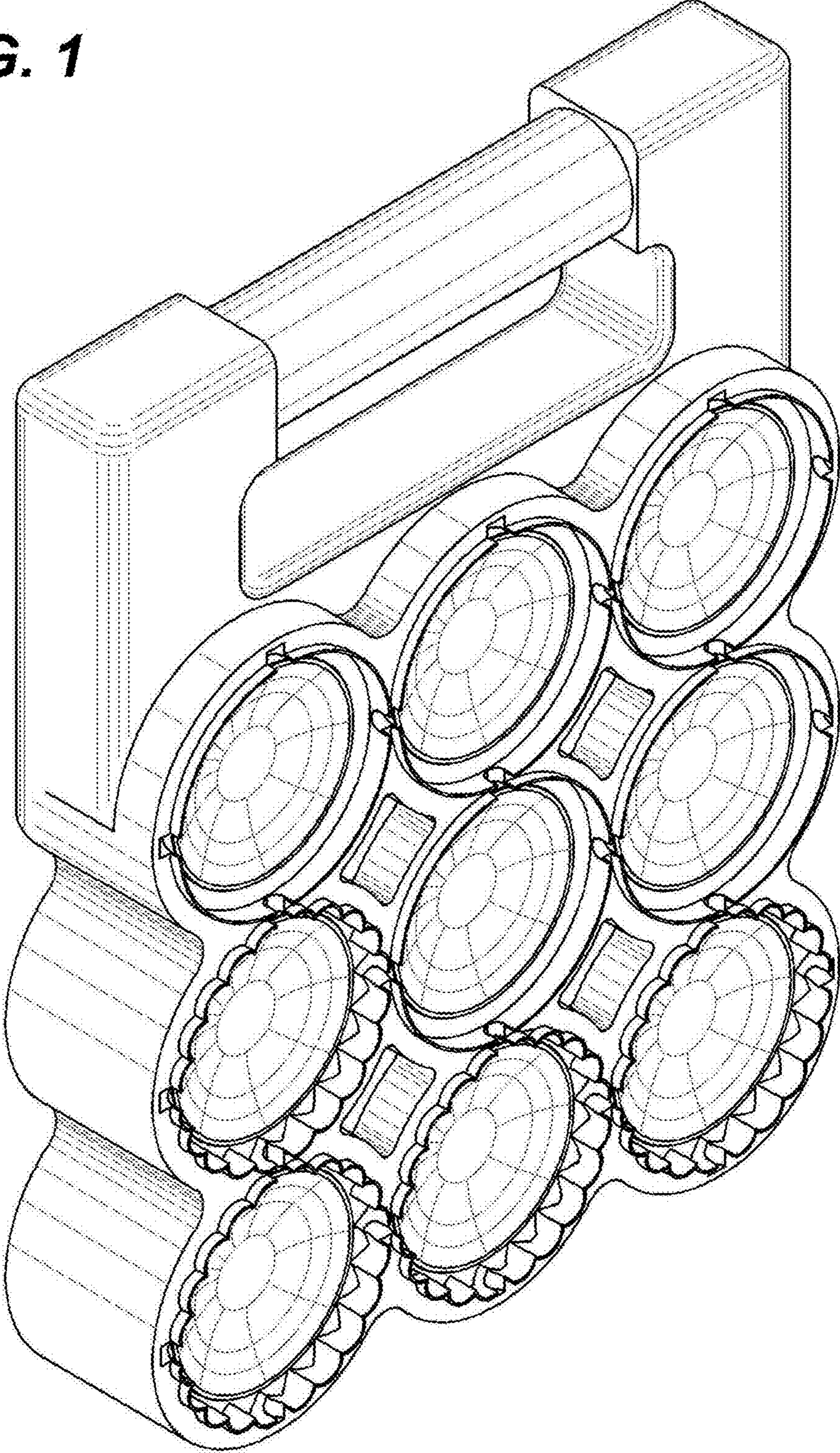
**DESCRIPTION**

FIG. 1 is a perspective view favoring the front.  
FIG. 2 is a perspective view favoring the rear.  
FIG. 3 is a front view.  
FIG. 4 is a side view, both sides being identical; and,  
FIG. 5 is a top view.  
The bottom does not have any distinguishing features.

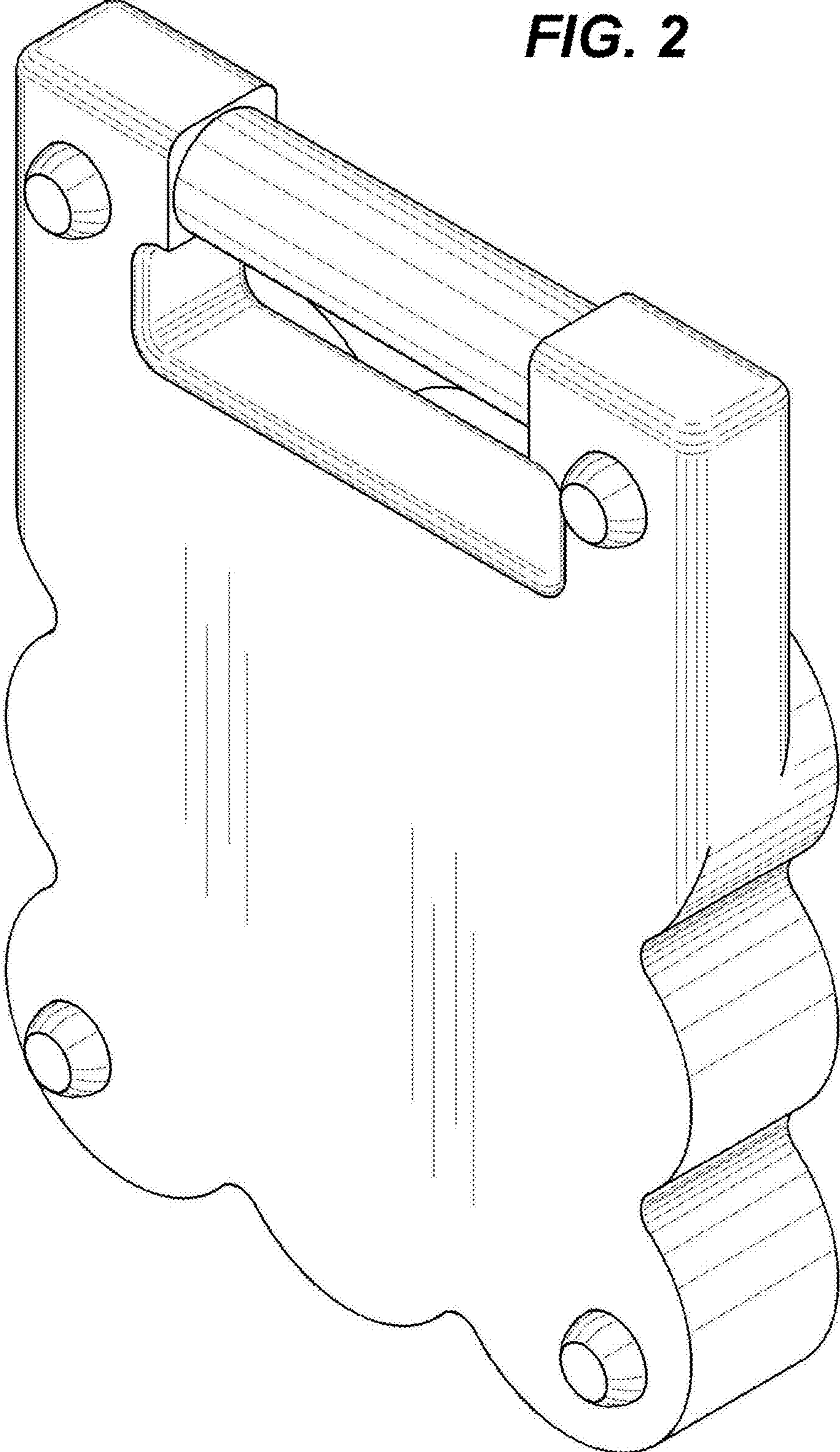
**1 Claim, 4 Drawing Sheets**



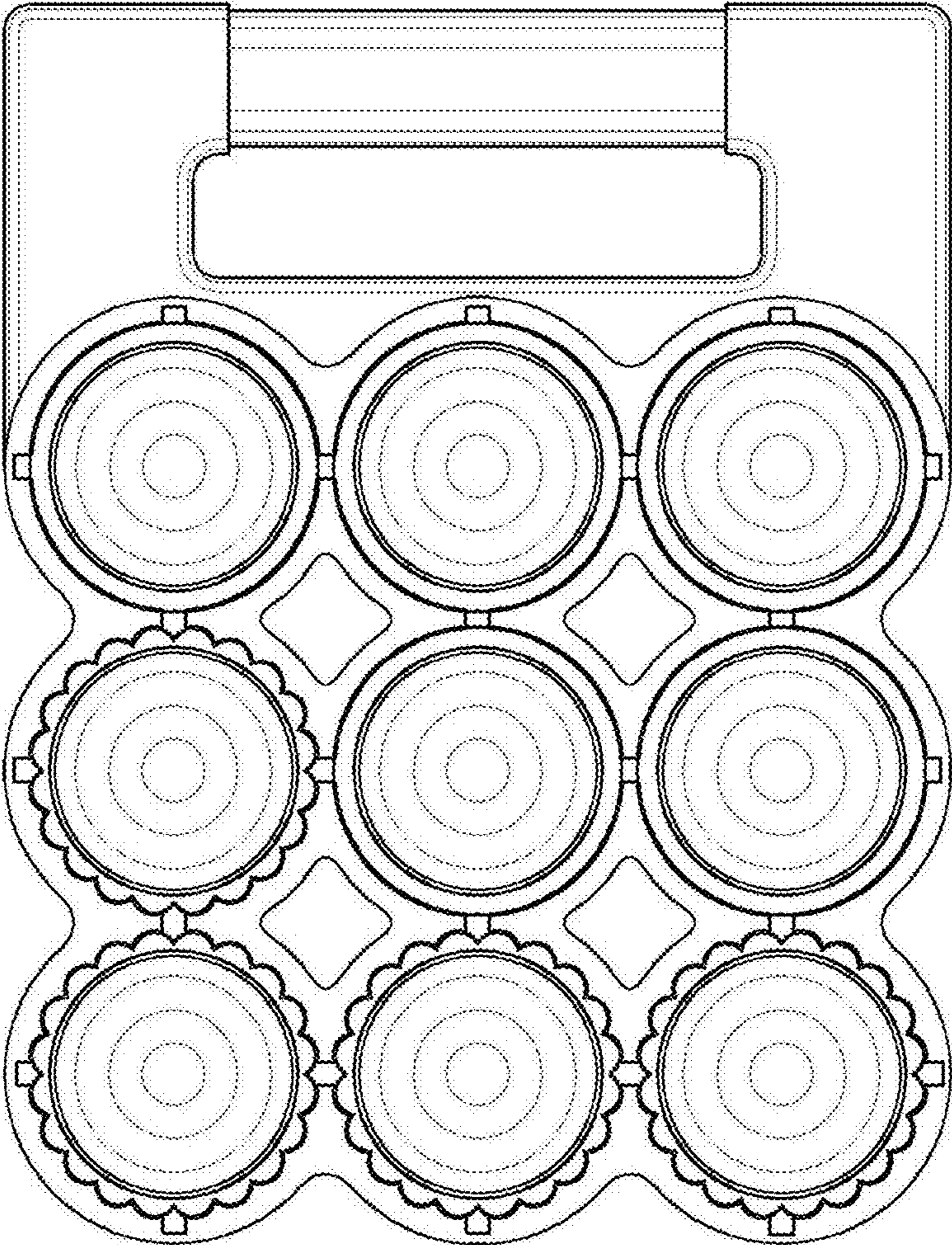
**FIG. 1**



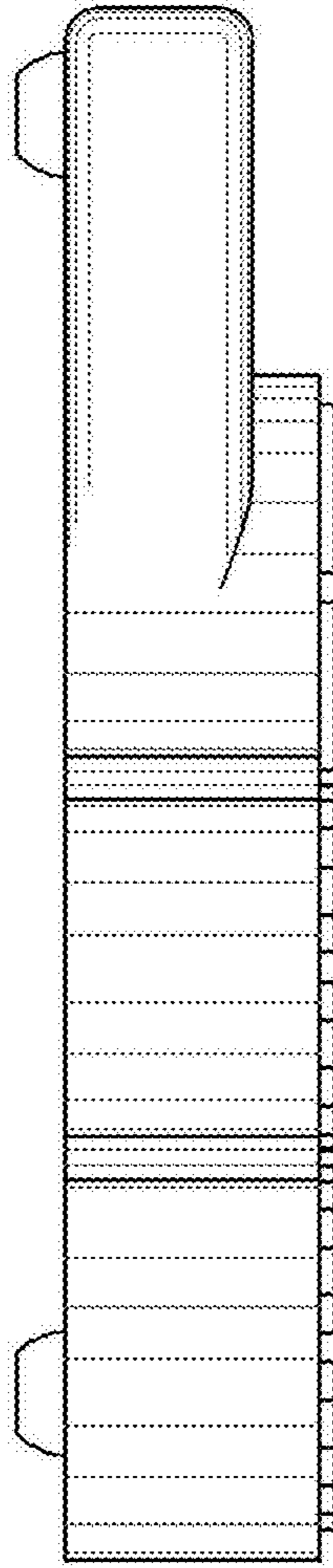
**FIG. 2**



**FIG. 3**



**FIG. 4**



**FIG. 5**

