



US00D680816S

(12) **United States Design Patent**  
**Patel et al.**

(10) **Patent No.:** **US D680,816 S**  
(45) **Date of Patent:** **\*\* Apr. 30, 2013**

(54) **CUTTER FOR MAKING CAKE DECORATIONS FROM SHEETS OF ICING**

(75) Inventors: **Shailesh Patel**, Ilford (GB); **David James Hunter**, Harrow (GB)

(73) Assignee: **Knightbridge PME Limited**, Enfield (GB)

(\*\*) Term: **14 Years**

(21) Appl. No.: **29/400,531**

(22) Filed: **Aug. 30, 2011**

(51) **LOC (9) Cl.** ..... **07-04**

(52) **U.S. Cl.**  
USPC ..... **D7/672**

(58) **Field of Classification Search** ..... D7/672-677;  
D18/15, 16; 30/114, 151, 152, 154, 155,  
30/159, 301-308, 314, 316, 321; 100/214,  
100/265, 266; 99/353, 537; 241/270, 272;  
425/125, 298, 299

See application file for complete search history.

(56) **References Cited**

U.S. PATENT DOCUMENTS

176,217	A *	4/1876	Katz	.....	30/301
607,076	A	7/1898	Poll		
1,031,243	A	7/1912	Carnes		
1,618,685	A	2/1927	Stauffer		
D92,635	S *	6/1934	Wennerstrom	.....	D32/25
2,008,725	A	7/1935	Parker		
2,052,510	A	8/1936	Woolverton		
2,600,724	A *	6/1952	Badner	.....	131/237
2,605,498	A	8/1952	Manton		
2,620,755	A	12/1952	Lewis		
2,779,097	A	1/1957	Frazier		
2,820,423	A *	1/1958	Catuccio	.....	425/298
2,837,761	A	6/1958	Stiegler		
3,053,203	A	9/1962	Gaddini		
D203,612	S	2/1966	Waller		
4,010,543	A *	3/1977	Nusbaum	.....	30/316

D244,416	S	5/1977	Zysset
4,029,012	A	6/1977	Smith
D270,510	S	9/1983	Miller
4,765,029	A	8/1988	Rogan
5,261,325	A	11/1993	Bengtsson
5,499,914	A	3/1996	Rist

(Continued)

OTHER PUBLICATIONS

Leaf Pattern Cake and Cookie Cutter Mold with Plunger, [online], reviewed on Oct. 1, 2012, retrieved on Jan. 10, 2013. Retrieved from, <URL: [http://www.miniinthebox.com/leaf-pattern-cake-and-cookies-cutter-mold-with-plunger-3-pieces\\_p367289.html?pos=ultimately\\_buy\\_1](http://www.miniinthebox.com/leaf-pattern-cake-and-cookies-cutter-mold-with-plunger-3-pieces_p367289.html?pos=ultimately_buy_1)>, 1 page.\*

(Continued)

*Primary Examiner* — Ian Simmons

*Assistant Examiner* — Shannon Weekley

(74) *Attorney, Agent, or Firm* — Howson & Howson LLP

(57) **CLAIM**

The ornamental design for a cutter for making cake decorations from sheets of icing, as shown and described.

**DESCRIPTION**

FIG. 1 is a top, right perspective view of the cutter for making cake decorations from sheets of icing, showing our new design;

FIG. 2 is a top plan view thereof;

FIG. 3 is a bottom plan view thereof;

FIG. 4 is a rear elevational view thereof;

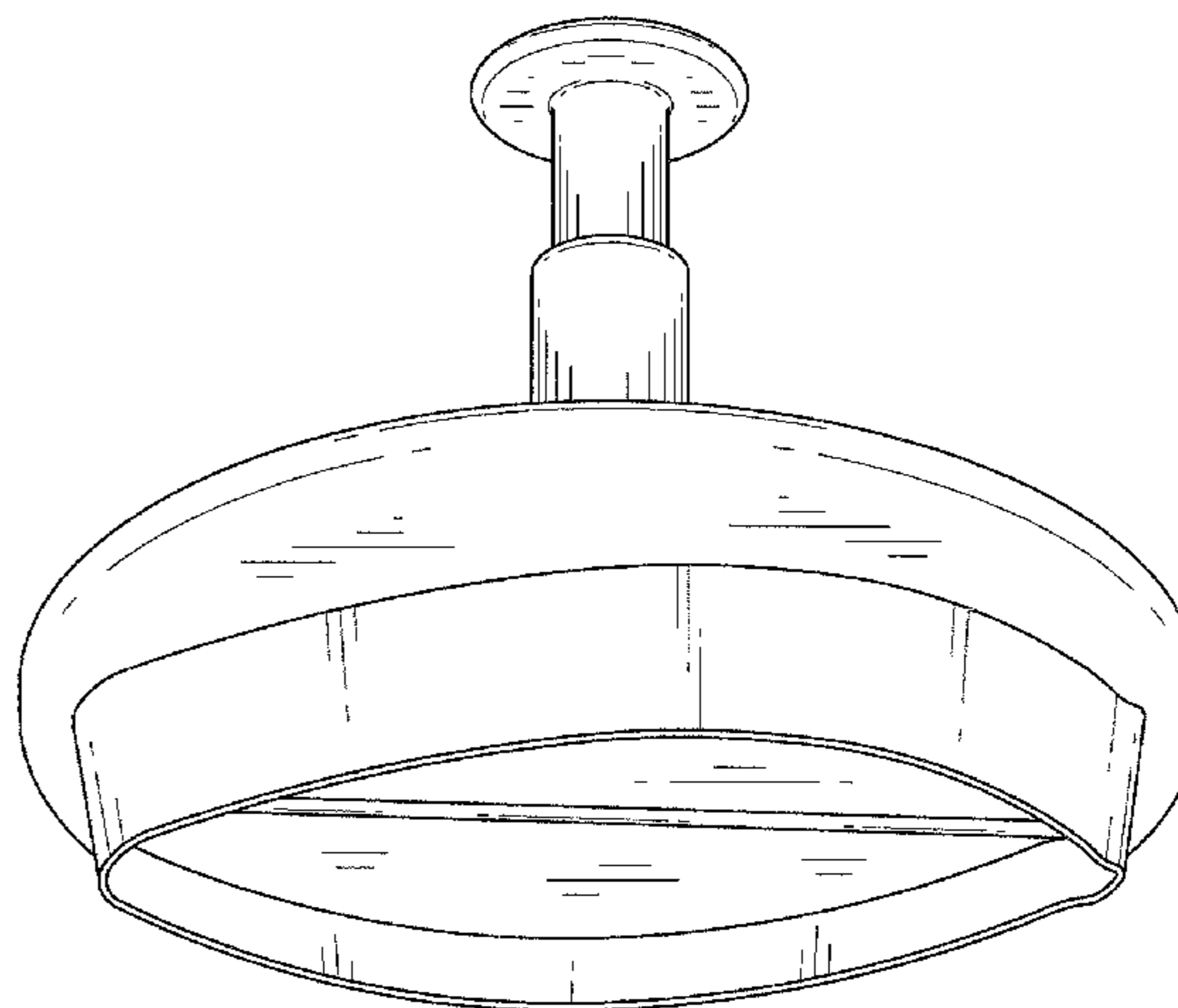
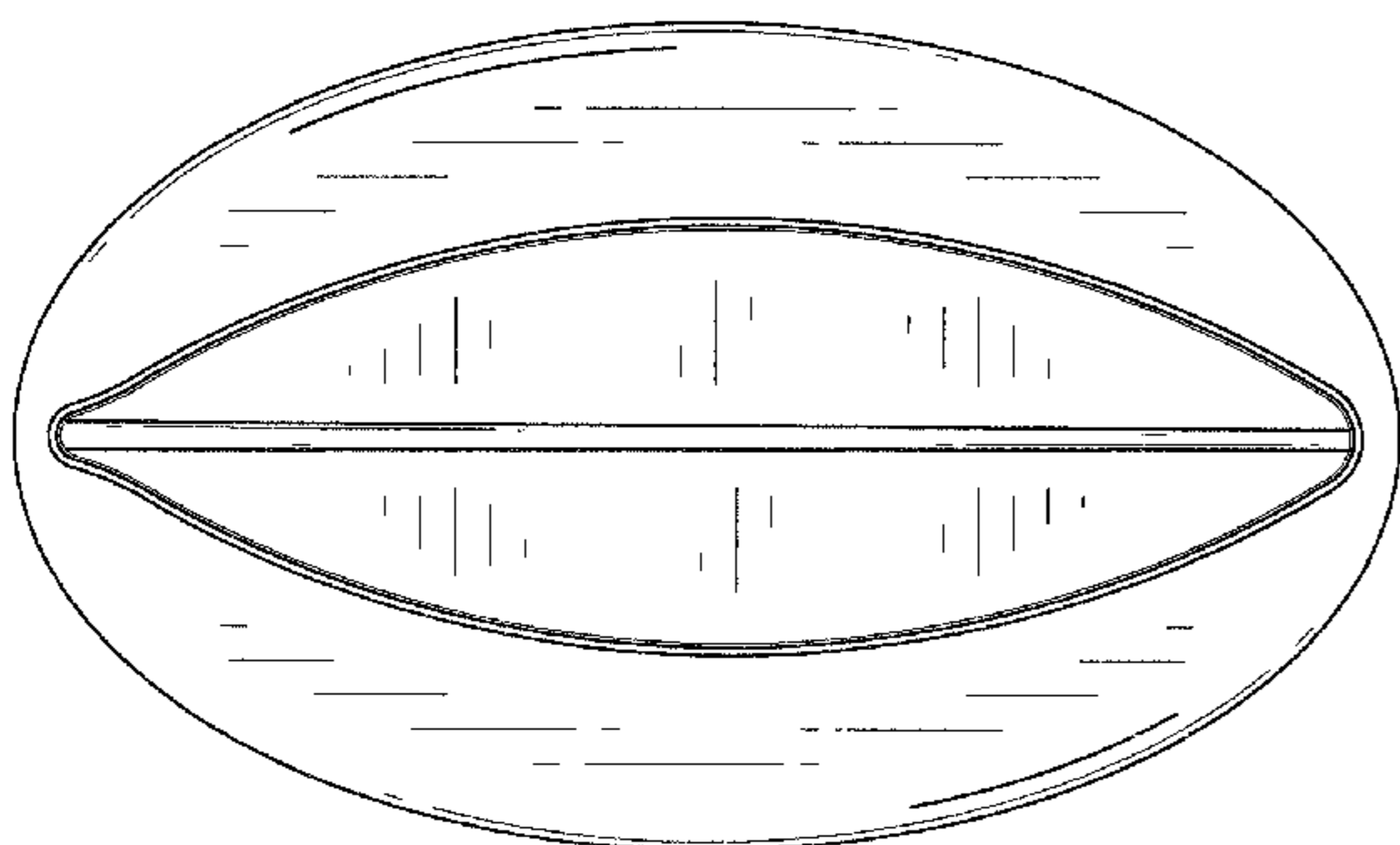
FIG. 5 is a front elevational view thereof; and

FIG. 6 is a left side elevational view, the right side elevation being a mirror image, thereof; and,

FIG. 7 is a bottom, left perspective view thereof.

The right side elevational view is a mirror image of the right side elevational view.

**1 Claim, 5 Drawing Sheets**



U.S. PATENT DOCUMENTS

D379,368	S	5/1997	Harden	
5,667,826	A *	9/1997	Lasater	..... 426/104
D401,482	S	11/1998	De Are	
6,990,892	B2	1/2006	Errera	
7,331,776	B2	2/2008	Errera	
D629,661	S	12/2010	Lion	
8,230,604	B1	7/2012	Corey	
2011/0014373	A1	1/2011	Perry	

OTHER PUBLICATIONS

Google Image search of cutters, [online], image uploaded Jun. 14, 2006, retrieved on Jan. 10, 2013. Retrieved from, <URL: [http://www.google.com/imgres?q=knightbridge+cutters&um=1&hl=en&safe=active&tbo=d&rls=com.microsoft:en-us:IE-SearchBox&biw=1280&bih=754&tbm=isch&tbnid=1wAbt5hFFhID6M:&imgrefurl . . .](http://www.google.com/imgres?q=knightbridge+cutters&um=1&hl=en&safe=active&tbo=d&rls=com.microsoft:en-us:IE-SearchBox&biw=1280&bih=754&tbm=isch&tbnid=1wAbt5hFFhID6M:&imgrefurl...)>, 1 page.\*

PME Plunger Cutters, [online], retrieved on Jan. 10, 2013. Retrieved from, <URL: [http://www.partyanimalonlineshop.com/sugarcraft\\_cutters\\_equipment/cutters/cutters\\_by\\_type/flower\\_and\\_leaf\\_cutters/pme\\_plunger\\_cutters\\_medium\\_veined\\_lily\\_set\\_of\\_2](http://www.partyanimalonlineshop.com/sugarcraft_cutters_equipment/cutters/cutters_by_type/flower_and_leaf_cutters/pme_plunger_cutters_medium_veined_lily_set_of_2)>, 1 page.\*

Knightsbridge PME 2006 catalog, p. 15.

Ateco web page describing "Four Ring Stamp", [https://www.atecouse.net/Merchant2/merchant.mvc?Screen=PROD&producte\\_\\_Code=1473&Category\\_Code=csets&Product\\_Count=4](https://www.atecouse.net/Merchant2/merchant.mvc?Screen=PROD&producte__Code=1473&Category_Code=csets&Product_Count=4) date unknown.

KitchenKrafts web page depicting Cupcake Corer/Plunger. <http://www.kitchenkrafts.com/petit-four-cutter-set-9-pc-/p/CD2009/sid/CHAMP/> date unknown.

Unpublished U.S. Appl. No. 29/433,221 for Handheld Kitchen Cutting Appliance.

Unpublished U.S. Appl. No. 29/433,220 for Handheld Kitchen Cutting Appliance.

Unpublished U.S. Appl. No. 29/433,217 for Handheld Kitchen Cutting Appliance.

Unpublished U.S. Appl. No. 29/433,216 for Handheld Kitchen Cutting Appliance.

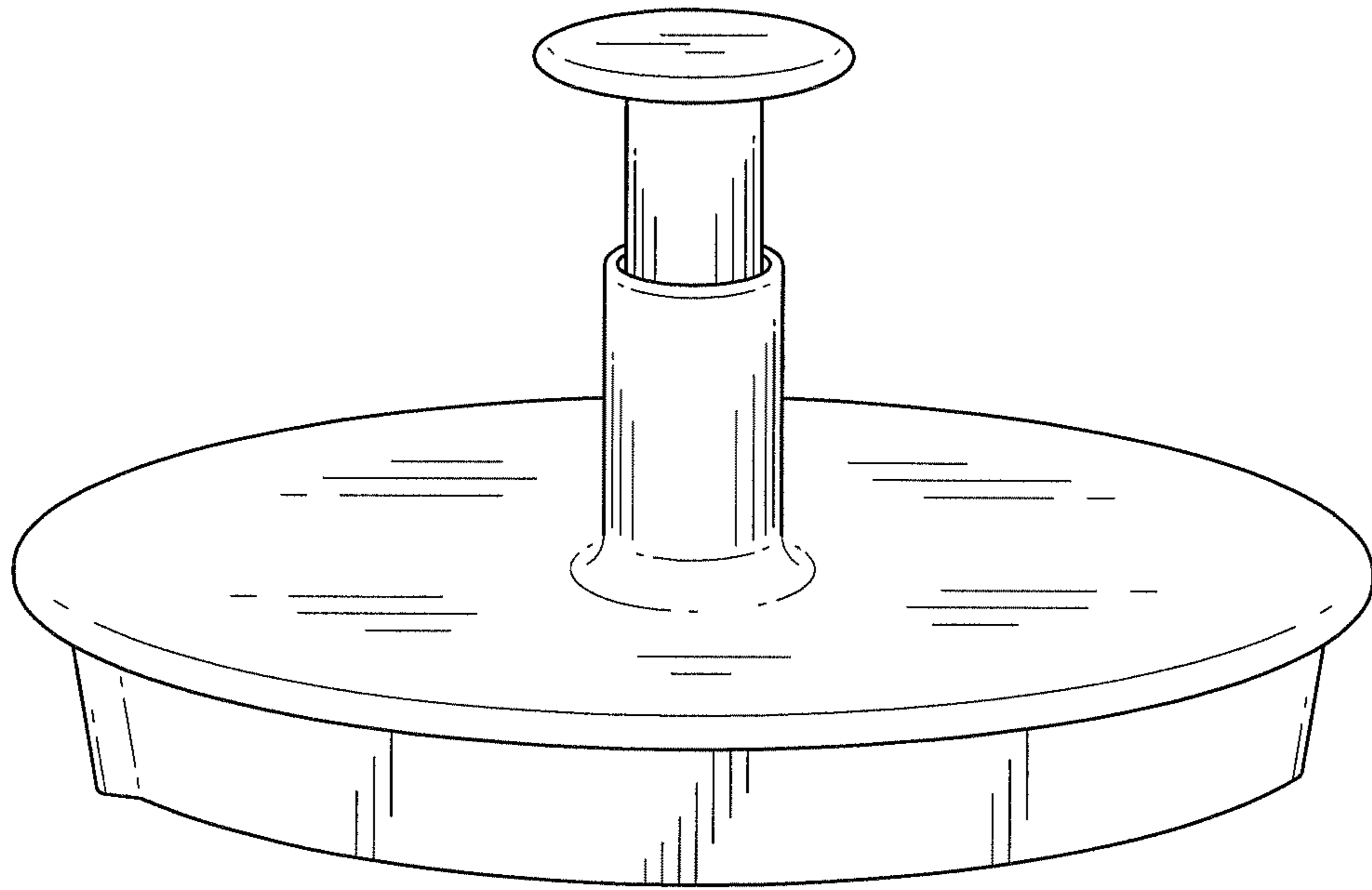
Unpublished U.S. Appl. No. 29/400,532 for Handheld Kitchen Cutting Appliance.

Unpublished U.S. Appl. No. 29/397,009 for Handheld Kitchen Cutting Appliance.

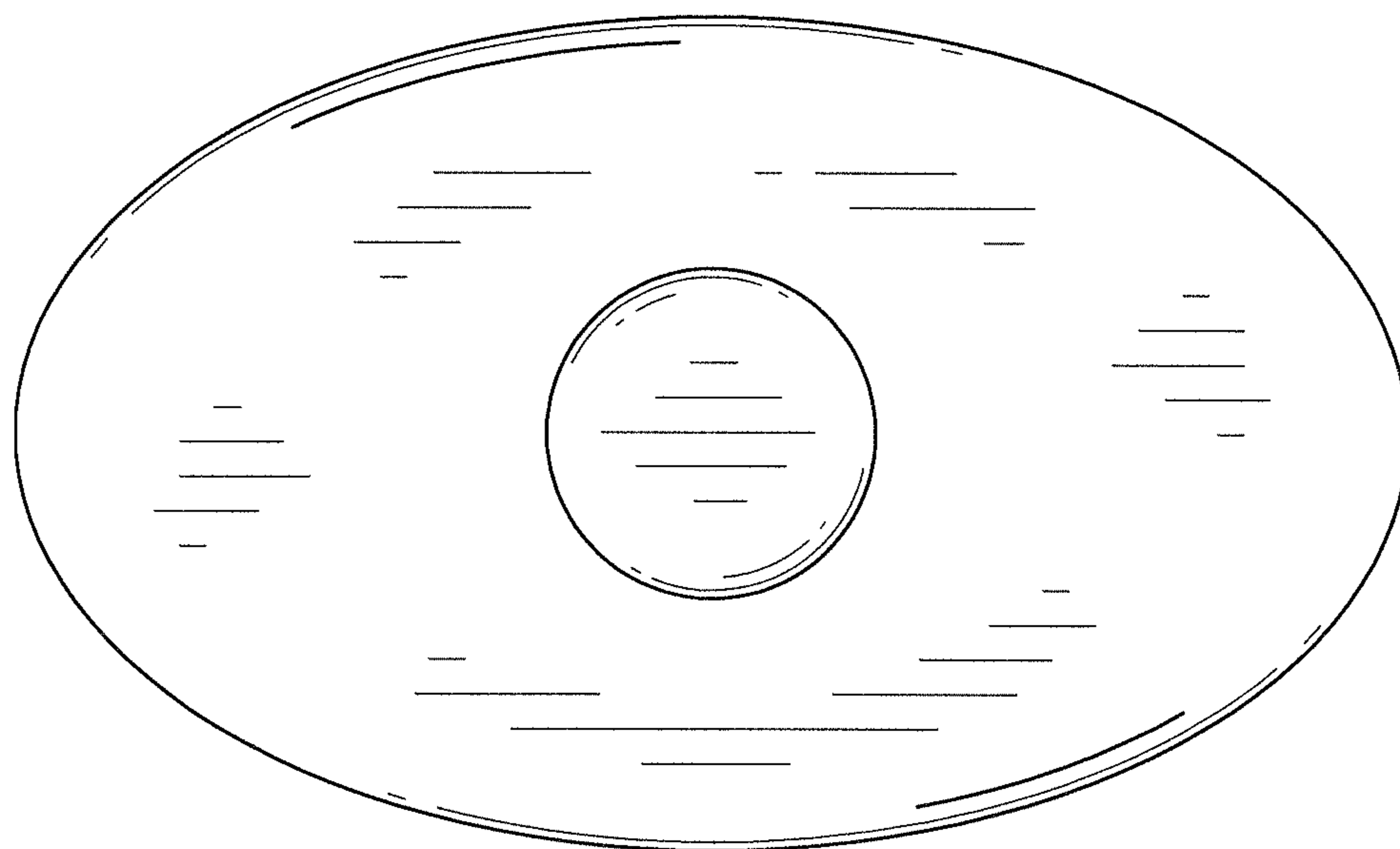
Patel et al, U.S. Appl. No. 29/397,009, filed Jul. 11, 2011.

Patel et al, U.S. Appl. No. 29/400,532, filed Aug. 30, 2011.

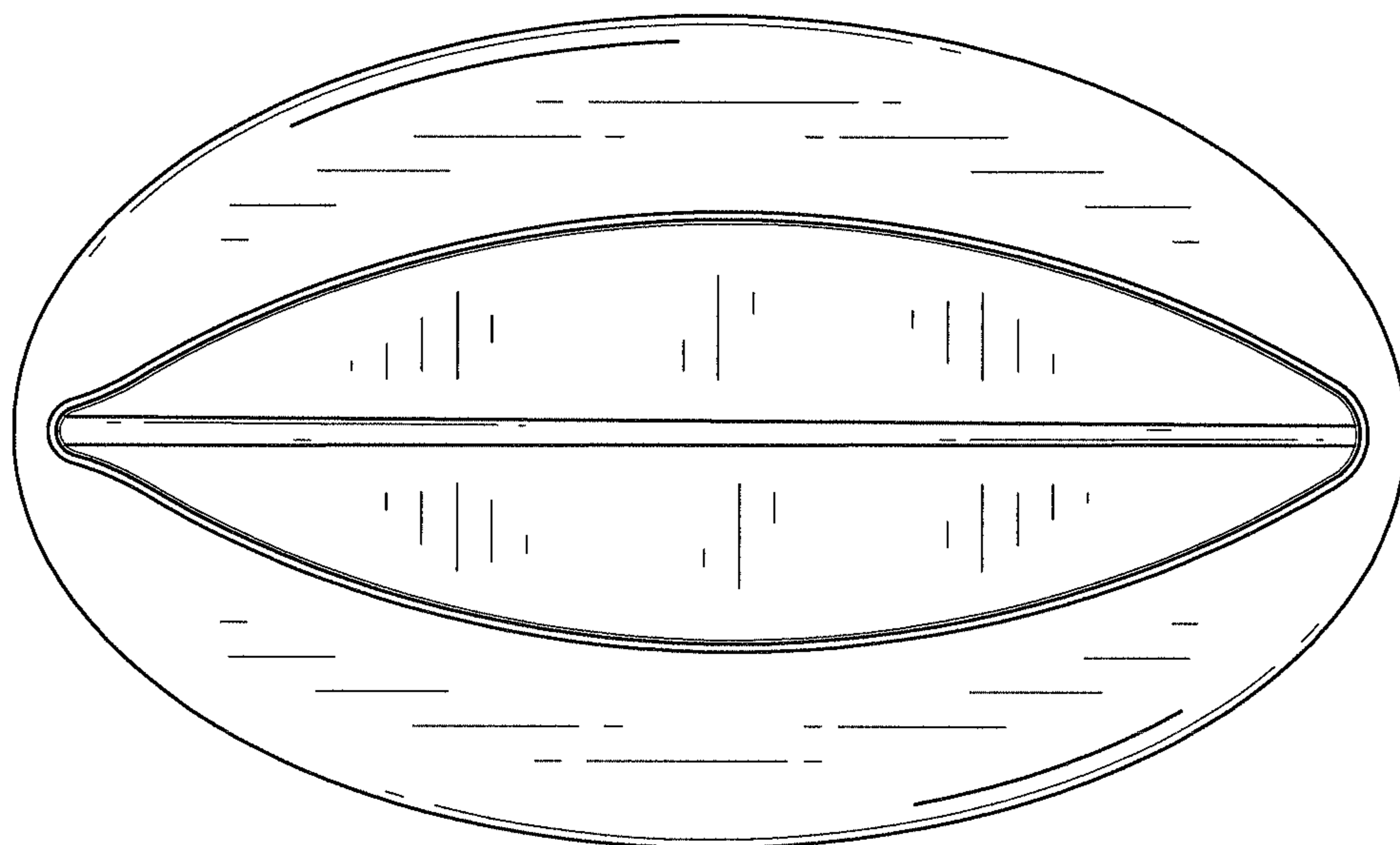
\* cited by examiner



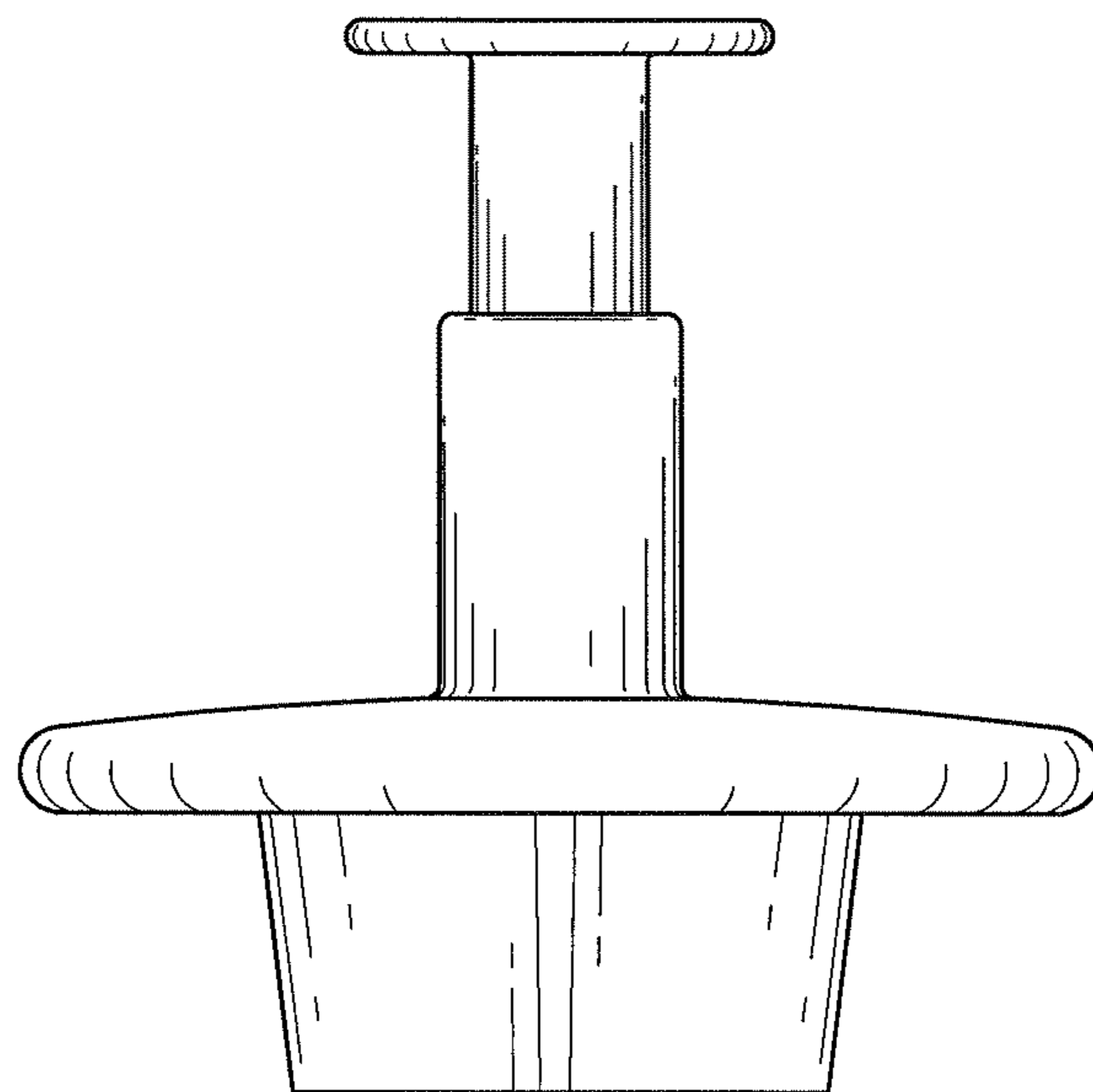
*Fig. 1*



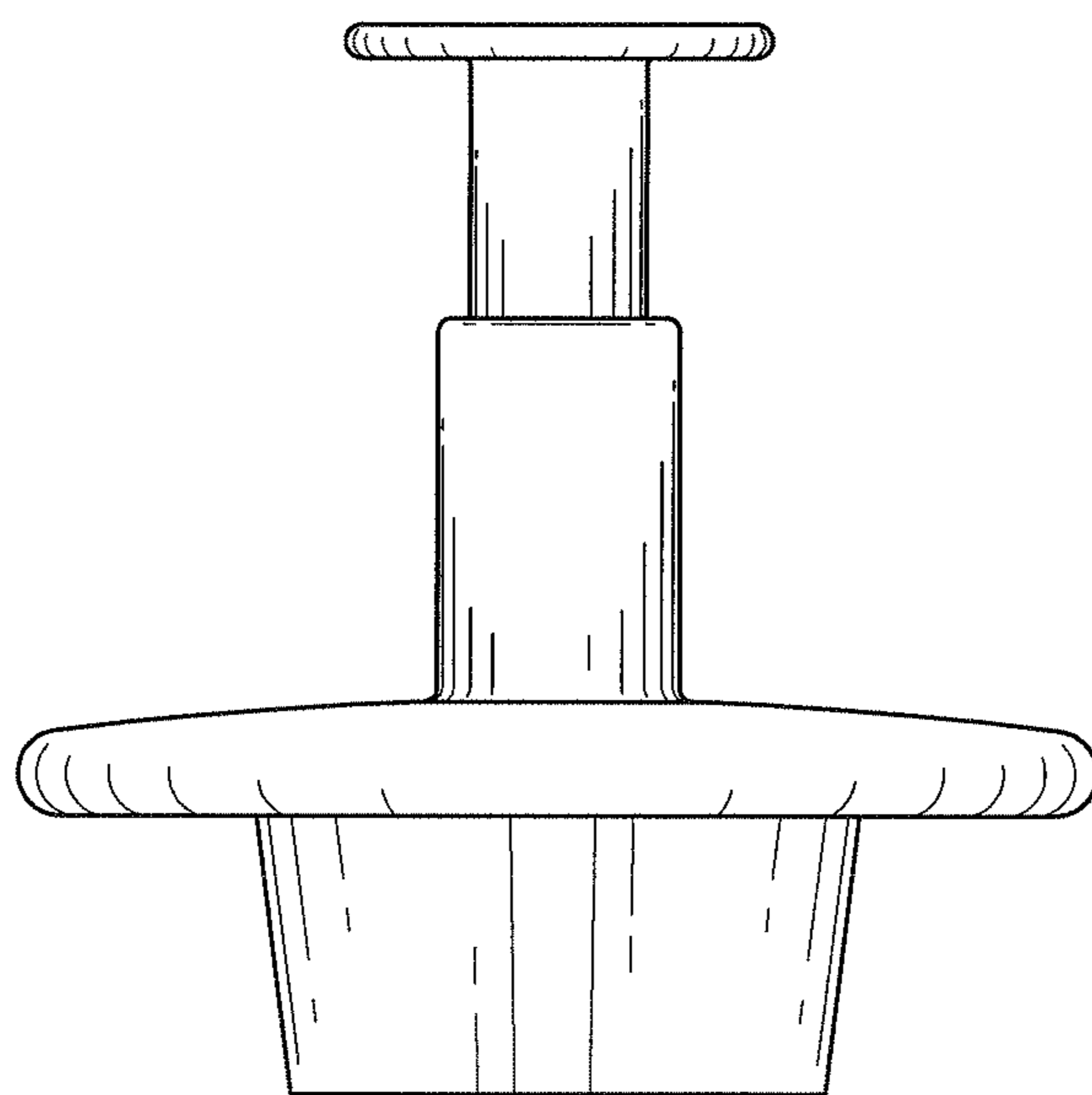
*Fig. 2*



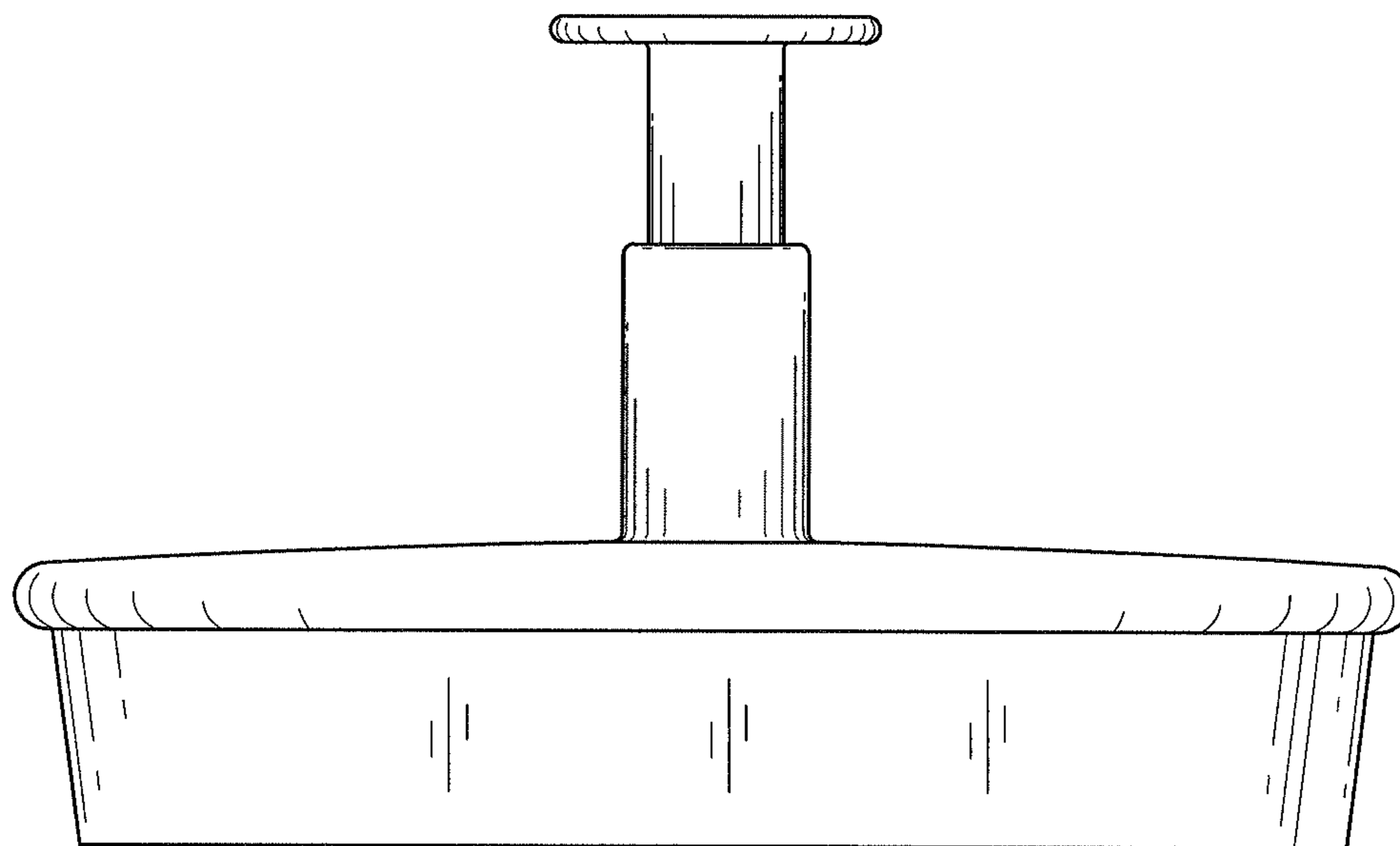
*Fig. 3*



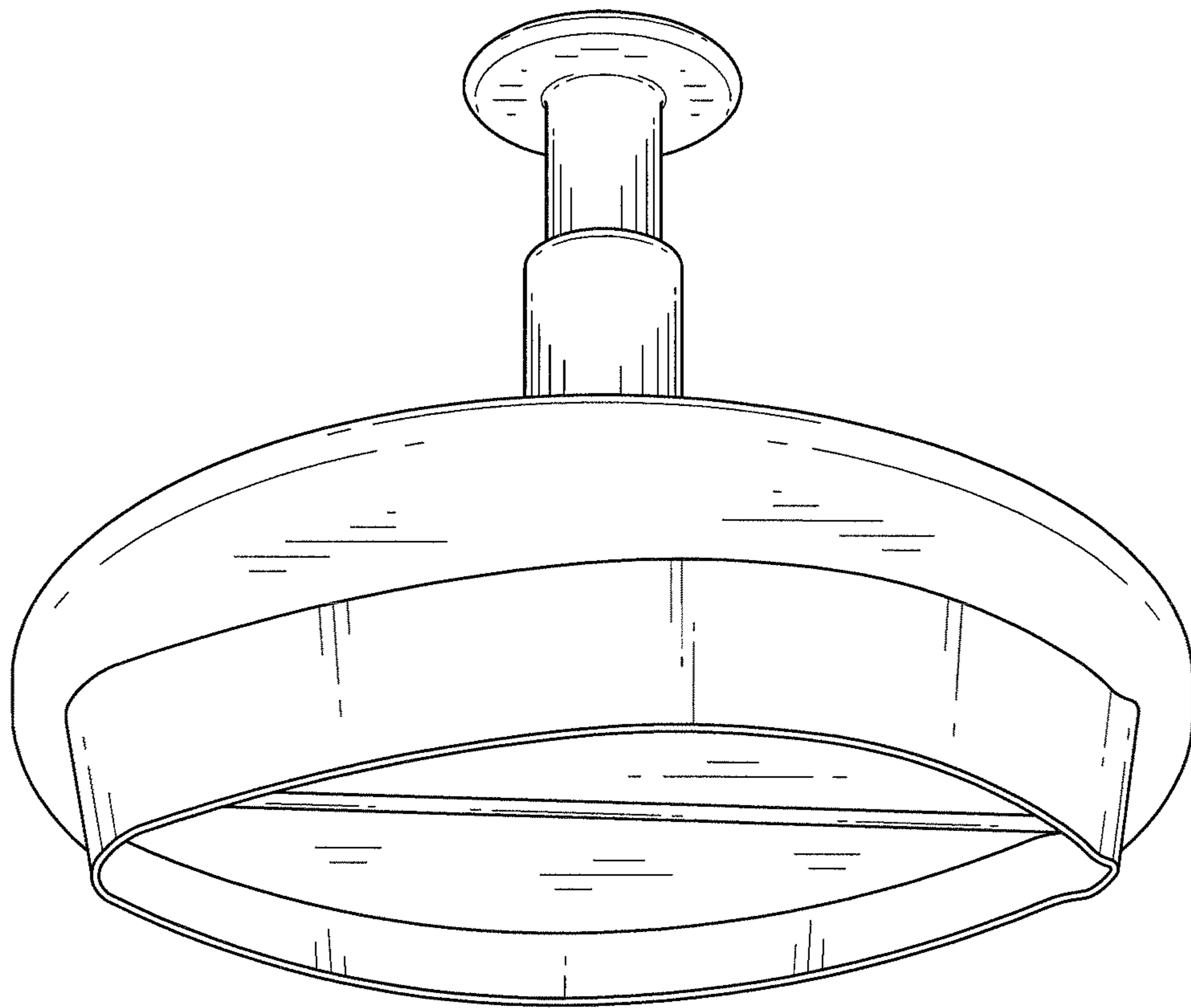
*Fig. 4*



*Fig. 5*



*Fig. 6*



*Fig. 7*