



US00D680815S

(12) **United States Design Patent**
Glaros

(10) **Patent No.:** **US D680,815 S**

(45) **Date of Patent:** **** Apr. 30, 2013**

(54) **BEVERAGE COOLER**

(75) Inventor: **Nick G. Glaros**, Boca Raton, FL (US)

(73) Assignee: **SG Beverage Solutions, Inc.**, Fort Lauderdale, FL (US)

(**) Term: **14 Years**

(21) Appl. No.: **29/392,407**

(22) Filed: **May 20, 2011**

Related U.S. Application Data

(63) Continuation-in-part of application No. 29/333,111, filed on Mar. 3, 2009, now abandoned.

(51) **LOC (9) Cl.** **07-01**

(52) **U.S. Cl.**
USPC **D7/605; D7/701**

(58) **Field of Classification Search** D7/601-602, D7/605-607, 619, 629, 641, 701, 703, 705-707, D7/709; D15/79-84; D20/1, 4-5; 220/592.1, 220/592.2, 592.04-592.05, 592.16; 62/246, 62/251-252, 257, 440-441
See application file for complete search history.

(56) **References Cited**

U.S. PATENT DOCUMENTS

D122,079 S *	8/1940	Carr	D15/84
D161,956 S *	2/1951	Newburger	D6/471
D278,193 S *	4/1985	Boxall	D6/471
D337,699 S *	7/1993	Espersen	D7/605
D344,962 S *	3/1994	Colman	D15/79
D373,493 S *	9/1996	Barish	D6/472
D381,342 S *	7/1997	Miller	D15/83
D383,471 S *	9/1997	Hsu	D15/82
D429,093 S *	8/2000	Miller	D6/467
D444,965 S *	7/2001	Miller	D6/467
D457,352 S *	5/2002	Hansen	D6/466

D470,866 S *	2/2003	Beauregard	D15/83
D496,053 S *	9/2004	Wetzel	D15/79
D516,591 S *	3/2006	Vanhoof	D15/81
D534,553 S *	1/2007	Kalman	D15/81
D540,354 S *	4/2007	Rousselin	D15/81

* cited by examiner

Primary Examiner — Wan Laymon

(74) *Attorney, Agent, or Firm* — Marsh Fischmann & Breyfogle LLP

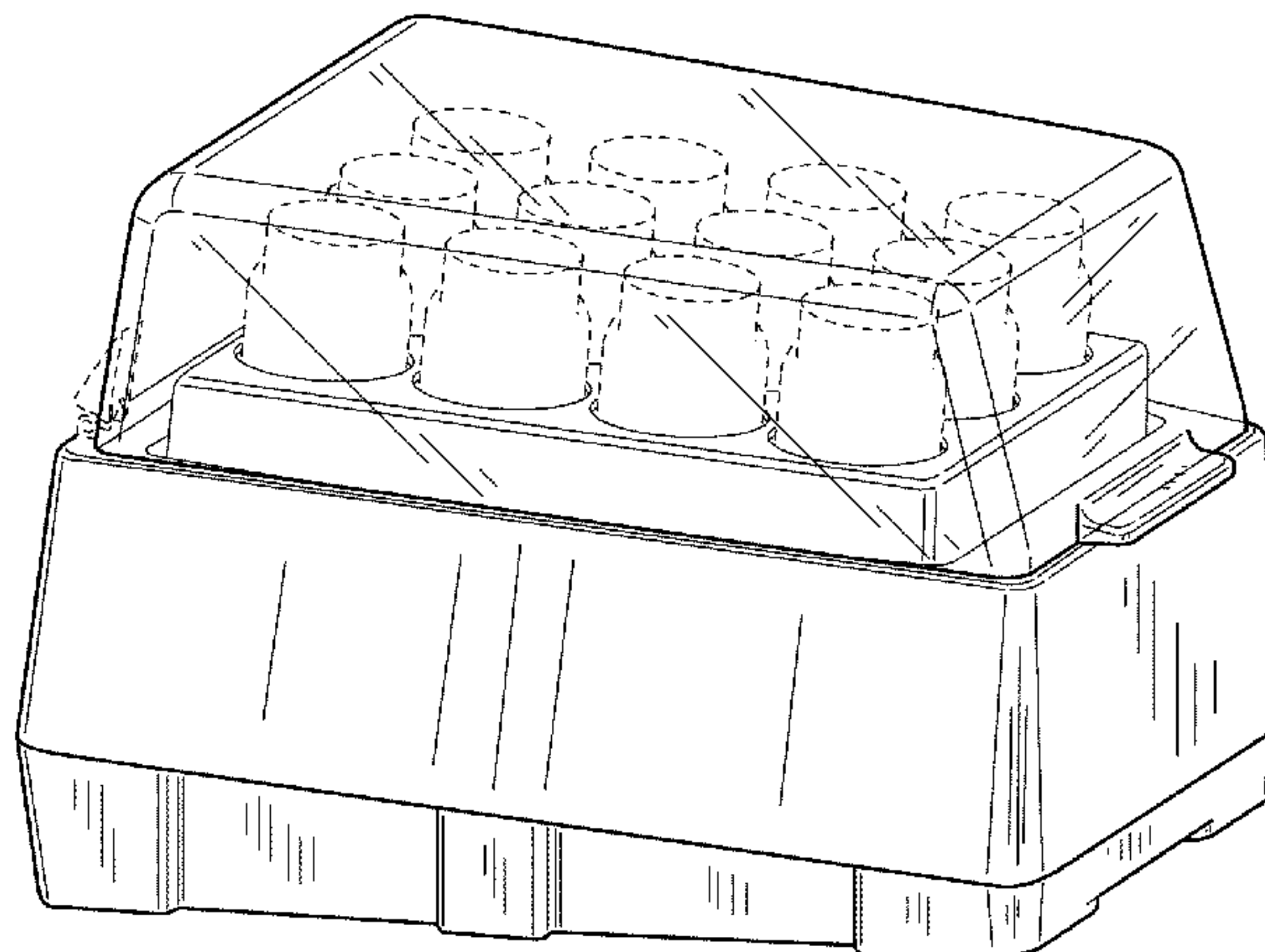
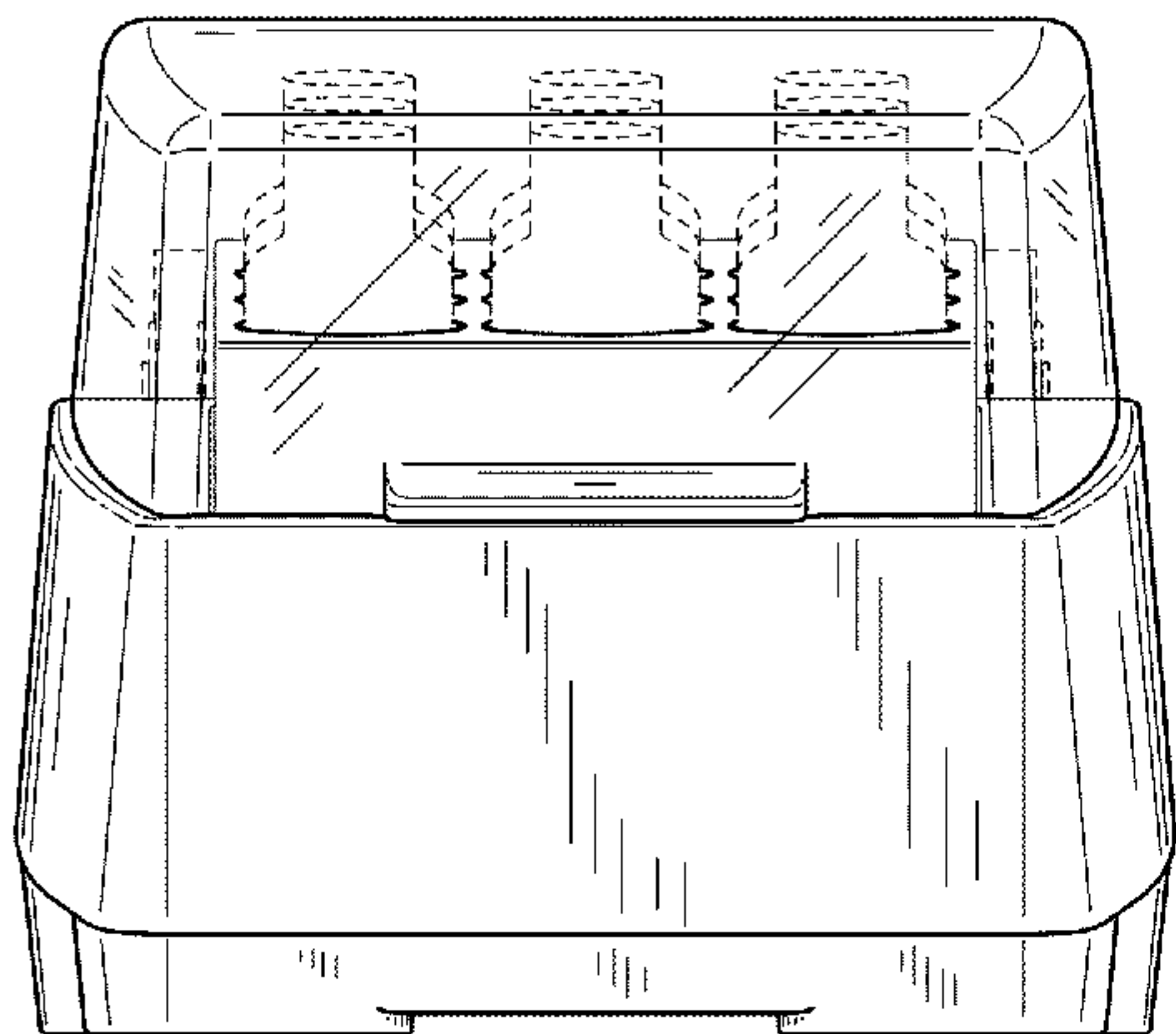
(57) **CLAIM**

The ornamental design for a beverage cooler, as shown and described.

DESCRIPTION

FIG. 1 shows a front view of an embodiment of a beverage cooler stocked with a number of bottles;
 FIG. 2 shows a side view of the beverage cooler of FIG. 1 stocked with a number of bottles;
 FIG. 3 shows a rear view of the beverage cooler of FIG. 1 stocked with a number of bottles;
 FIG. 4 shows a perspective view of the beverage cooler of FIG. 1 stocked with a number of bottles;
 FIG. 5 shows a front view of another embodiment of a beverage cooler stocked with a number of bottles;
 FIG. 6 shows side view of the beverage cooler of FIG. 5 stocked with a number of bottles;
 FIG. 7 shows a rear view of the beverage cooler of FIG. 5 stocked with a number of bottles; and,
 FIG. 8 shows a perspective view of the beverage cooler of FIG. 5 stocked with a number of bottles.
 The broken lines showing the bottle structures and hinge elements are for the purpose of illustrating environmental structure and form no part of the claimed design.

1 Claim, 8 Drawing Sheets



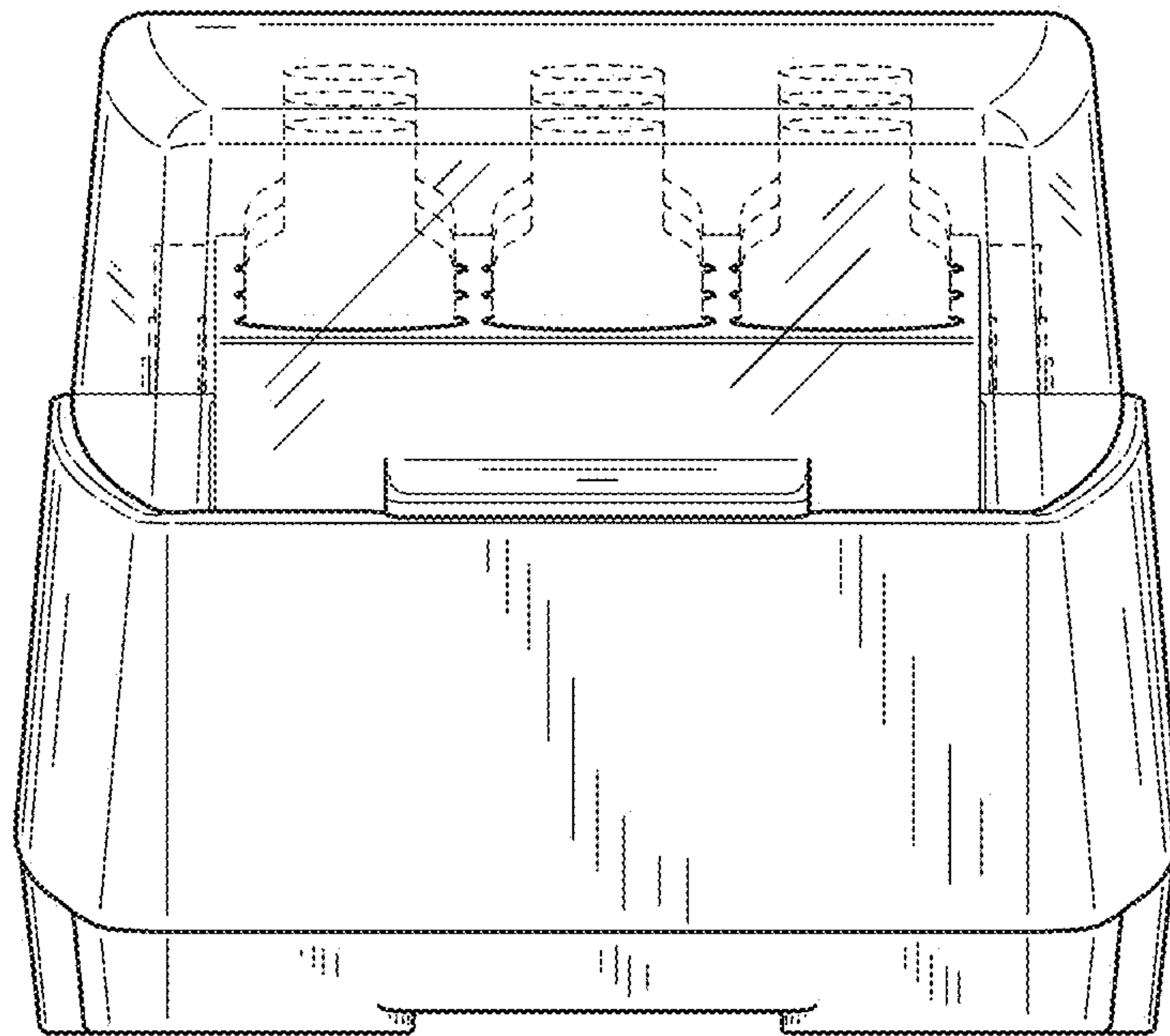


FIG.1

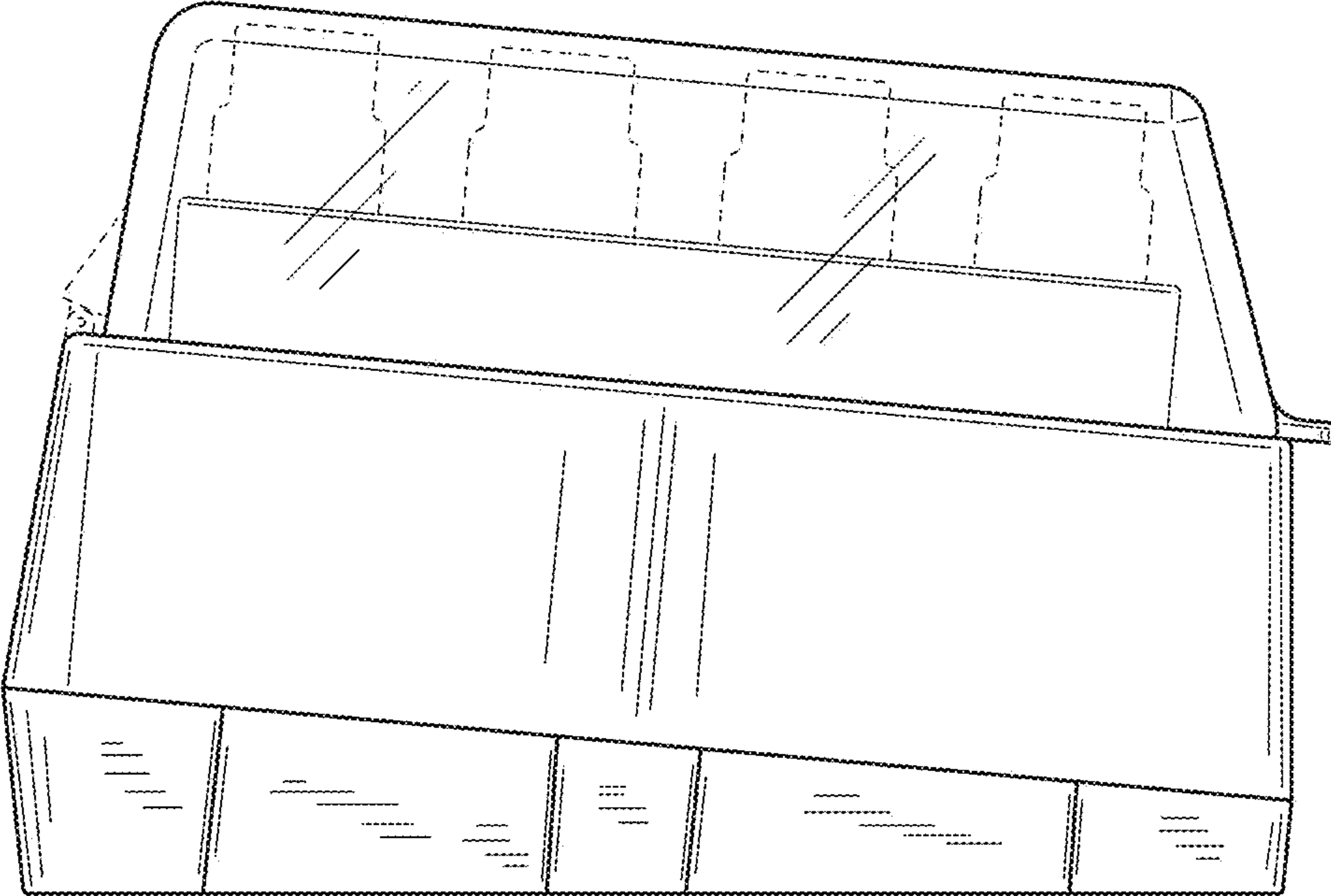


FIG.2

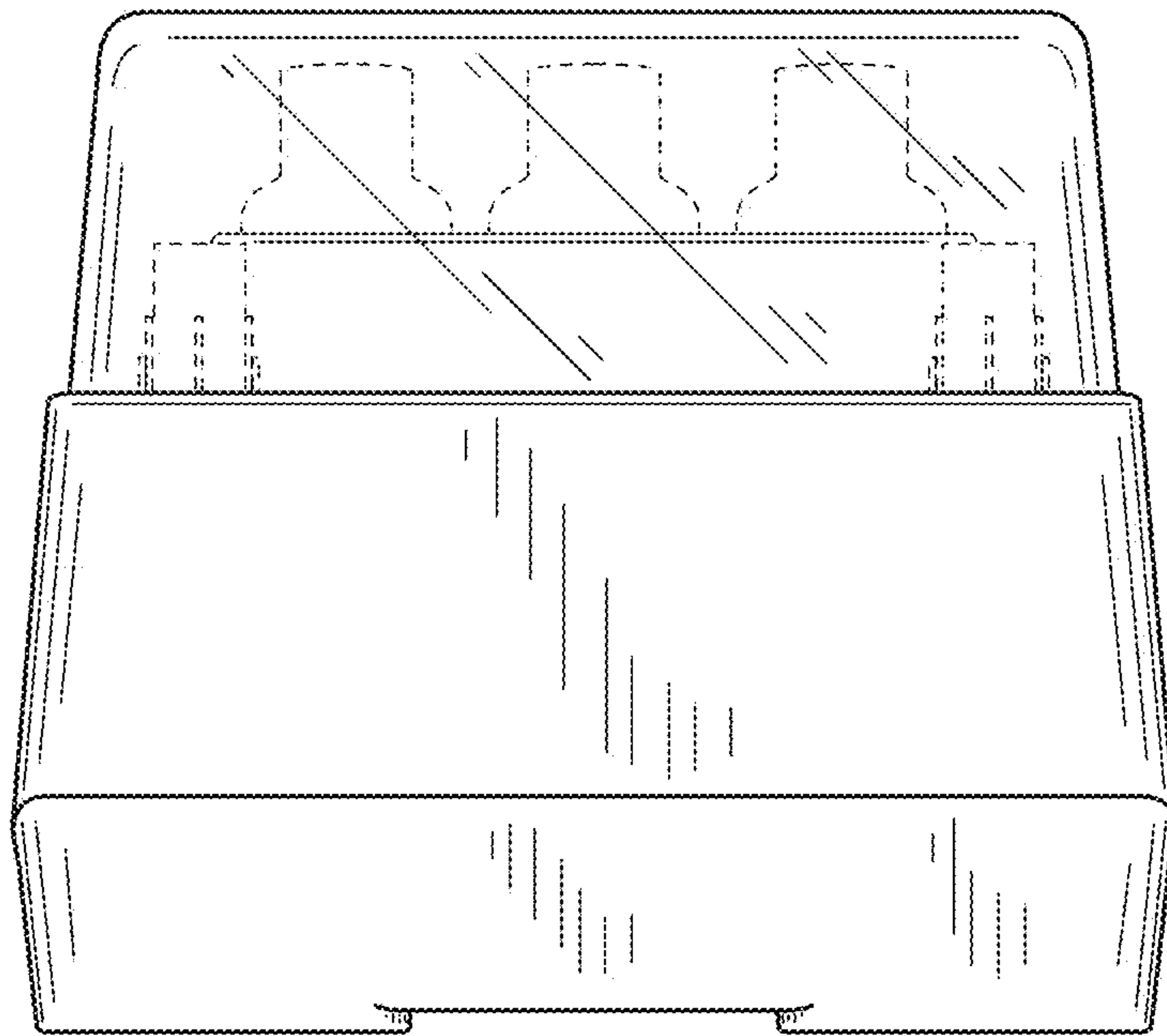


FIG.3

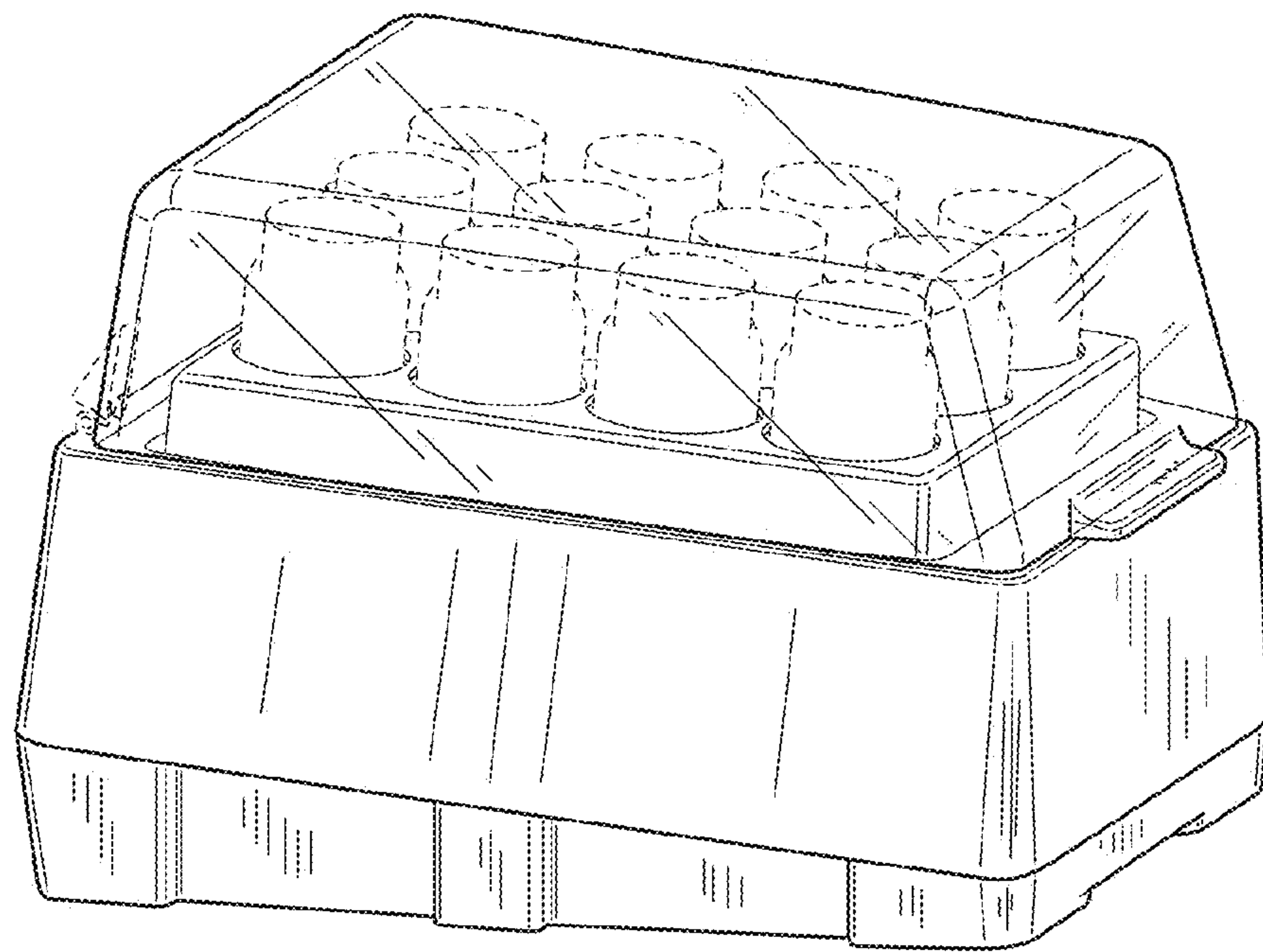


FIG.4

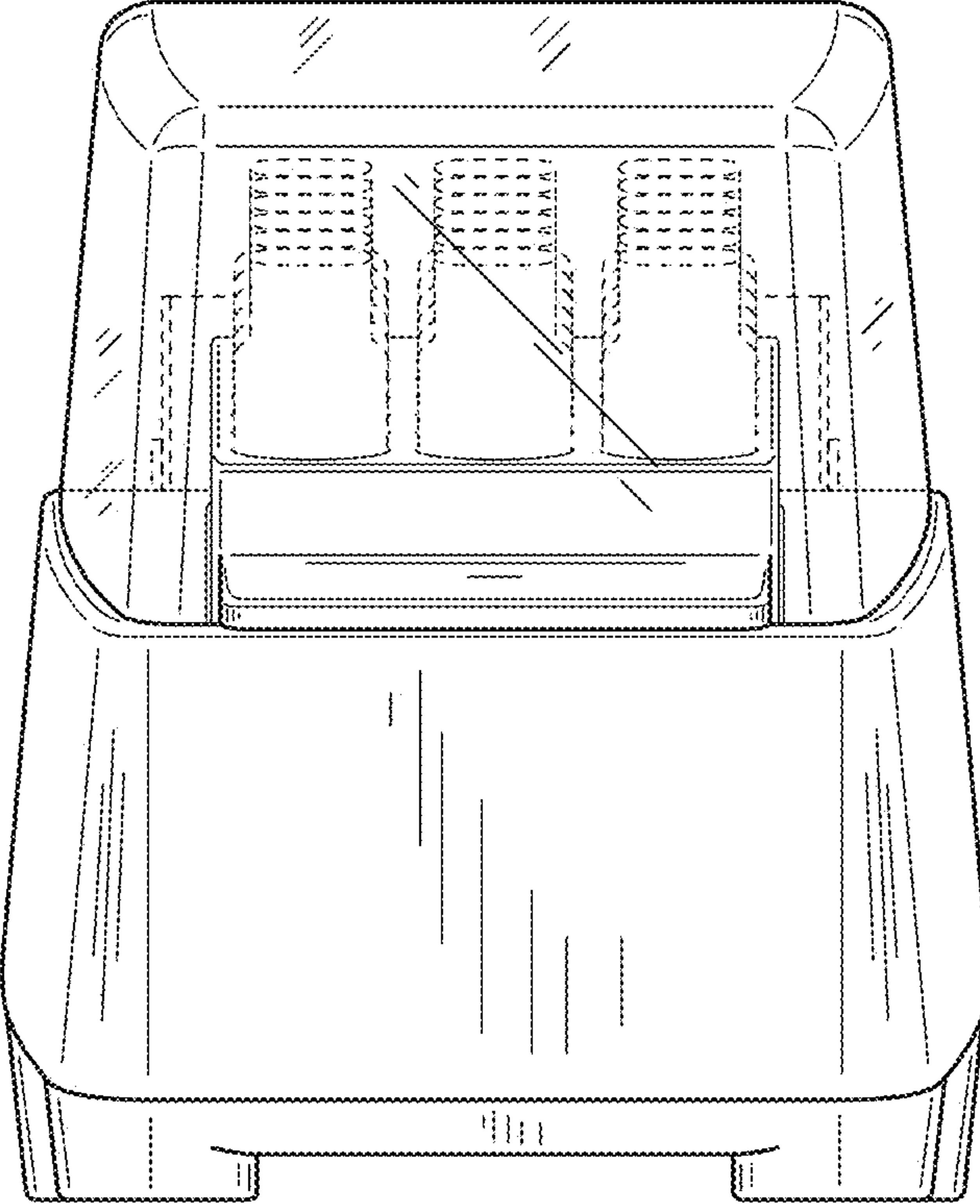


FIG.5

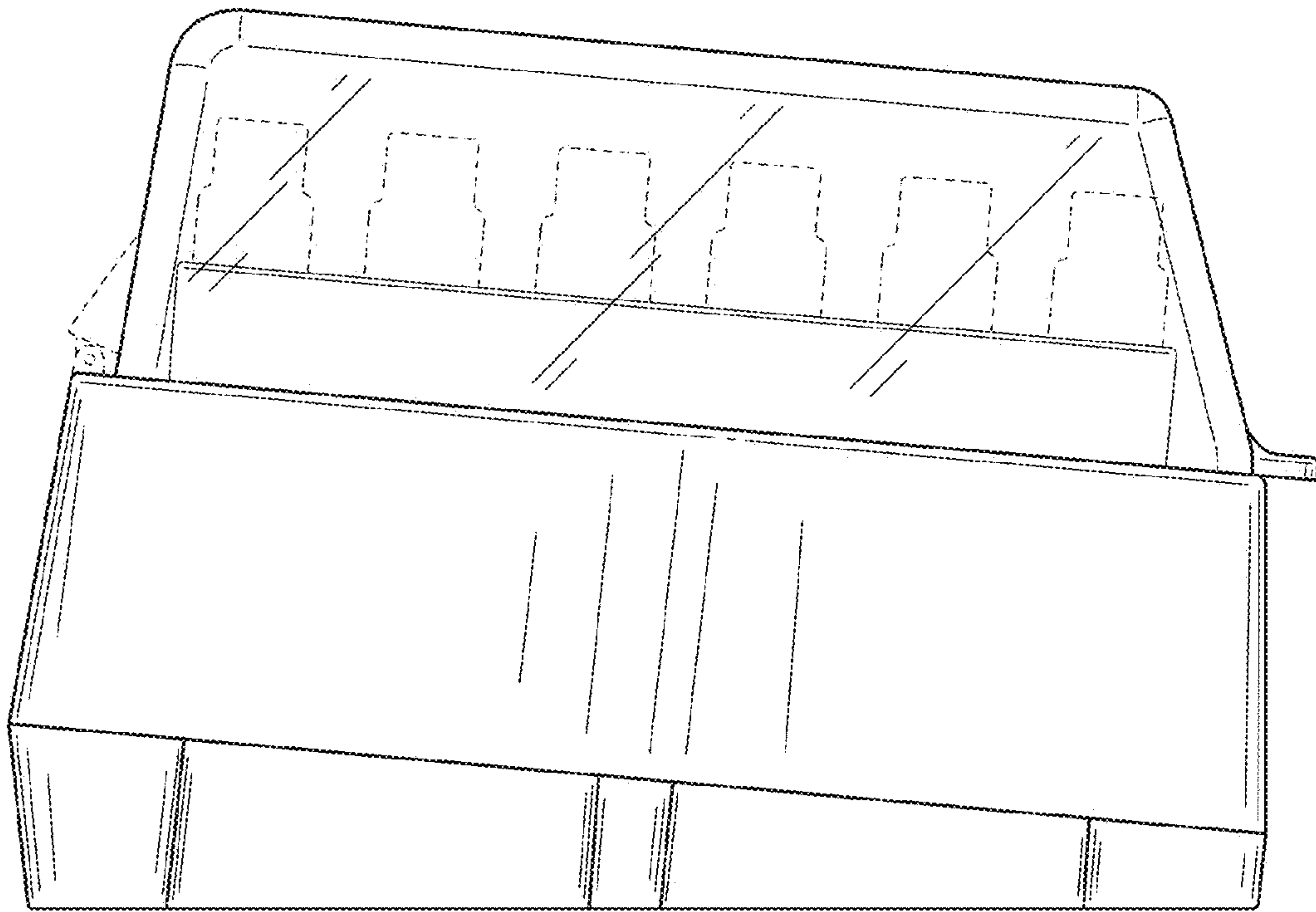


FIG.6

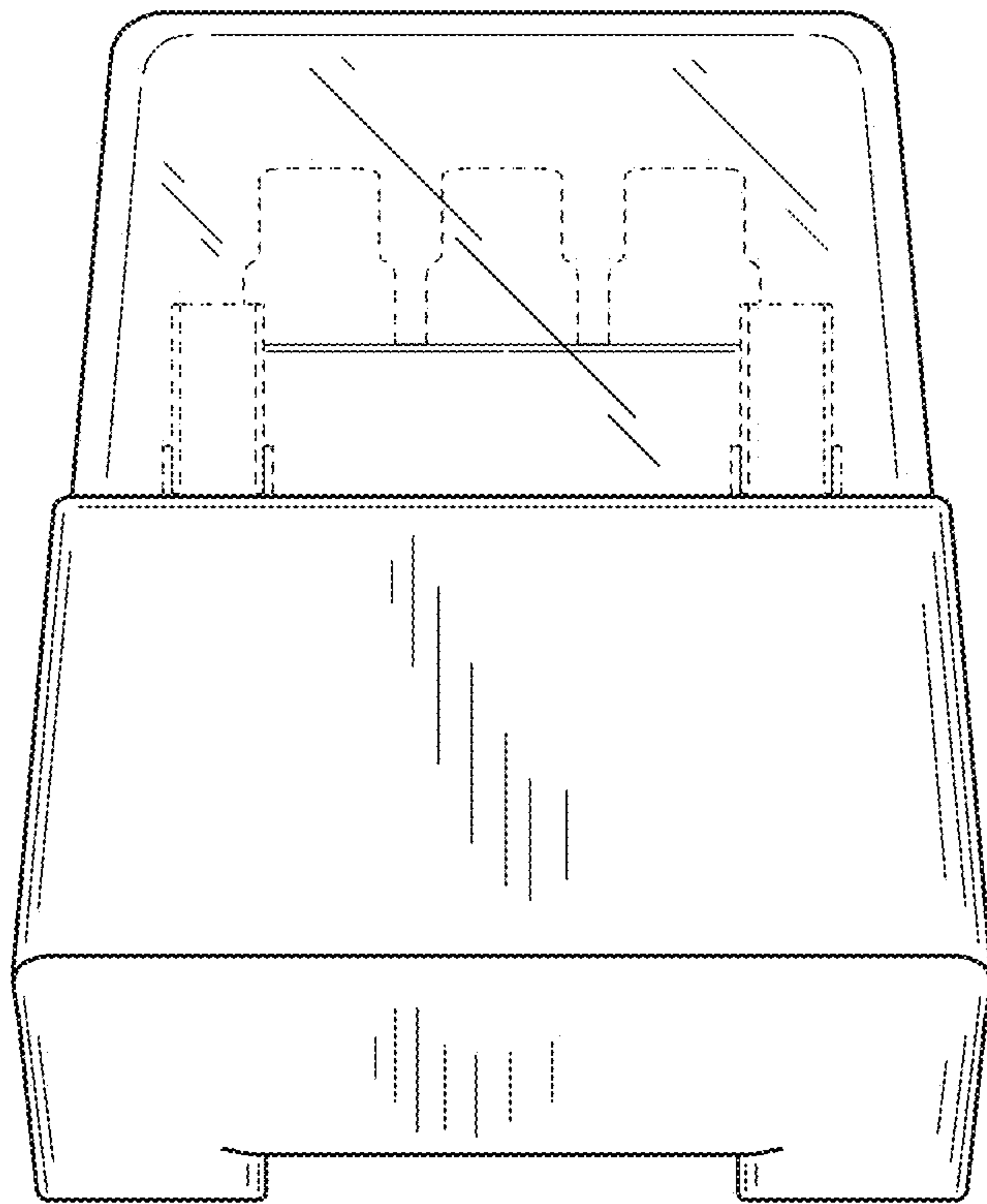


FIG.7

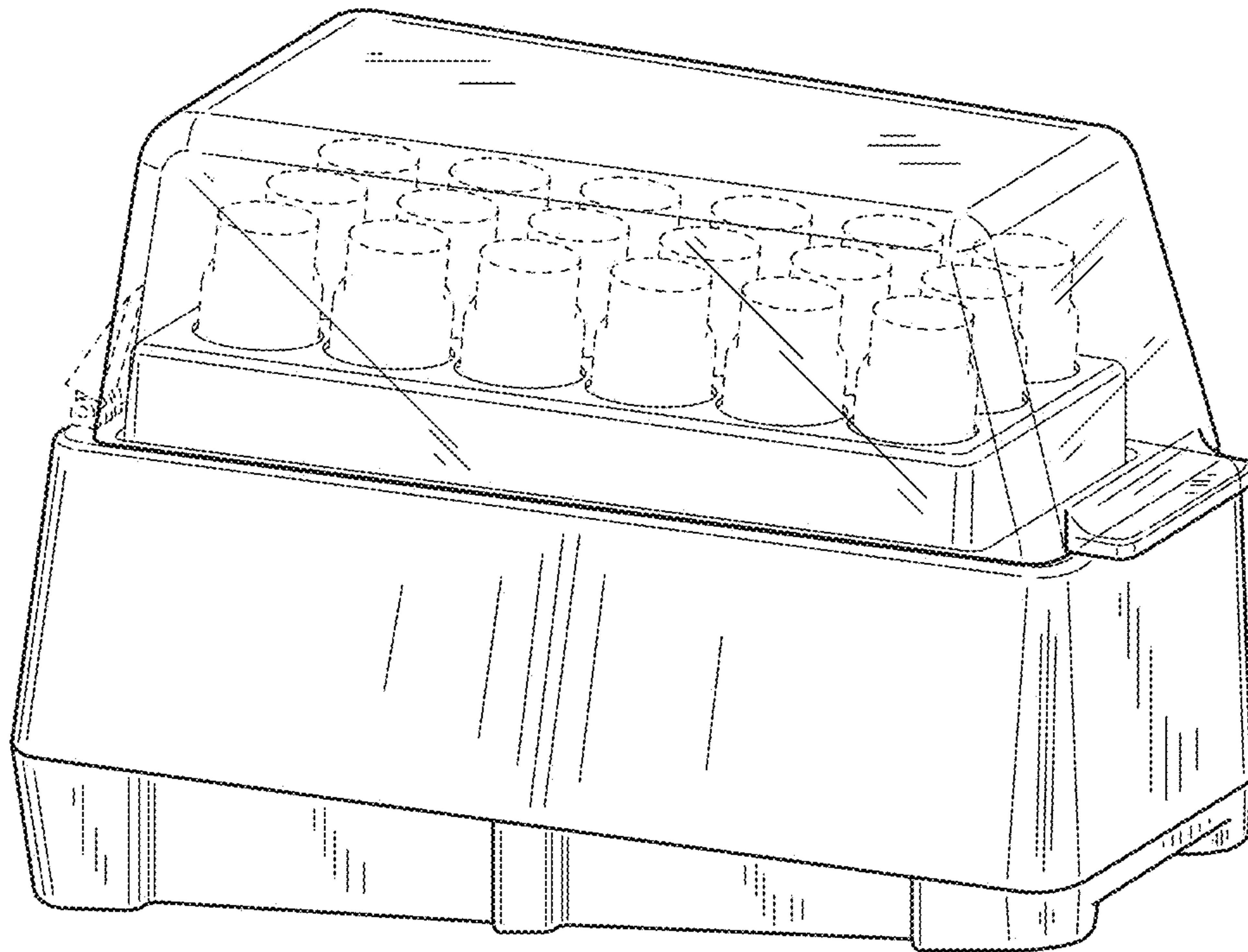


FIG.8