



US00D680814S

(12) **United States Design Patent**
Betesh

(10) **Patent No.:** **US D680,814 S**

(45) **Date of Patent:** **** Apr. 30, 2013**

(54) **SUPPLY POD DISPENSER**

(75) Inventor: **Michael Betesh**, Brooklyn, NY (US)

(73) Assignee: **EMS Mind Reader LLC**, Newark, NJ (US)

(**) Term: **14 Years**

(21) Appl. No.: **29/419,850**

(22) Filed: **May 2, 2012**

(51) **LOC (9) Cl.** **07-06**

(52) **U.S. Cl.**

USPC **D7/600; D7/600.1**

(58) **Field of Classification Search** D7/392,

D7/397, 590, 600, 600.1, 600.2, 600.3, 600.4,

D7/601, 602, 603, 609, 610, 612, 614, 615,

D7/619.1, 620-623, 628-632, 637-641, 701-708,

D7/708.1, 709, 710; D6/396, 403, 405, 449,

D6/473, 485, 490, 509, 512, 513, 515, 516,

D6/572; D9/737, 738, 739, 741, 744, 747,

D9/761; 206/1.8, 192, 199, 201; 211/14,

211/60.7, 70.01, 70.6, 71.01, 74, 59.2, 75,

211/22, 26.2, 33, 35, 37, 41.14, 85.4, 85.5,

211/85.12, 85.26, 97, 99, 105.2, 126.7, 126.12,

211/133.1; 312/42, 45; 220/23.83, 23.88;

D21/310, 336, 337, 341, 344, 345, 346; 248/27.8,

248/80, 89, 105, 116, 117.2, 121, 124.1,

248/132, 146, 176.1, 183.1, 188.8, 188.91,

248/207, 219.3, 261, 346.01, 346.03, 346.11,

248/457, 469, 500, 519, 570, 583, 662, 676,

248/674, 677, 678, 688

See application file for complete search history.

(56) **References Cited**

U.S. PATENT DOCUMENTS

2,006,580	A *	7/1935	Broun	248/454
2,912,991	A *	11/1959	Shinn	135/68
3,506,267	A *	4/1970	Taillie	273/275
D231,627	S *	5/1974	Cogen	D21/307
D252,004	S *	6/1979	Leventhal	D7/706

(Continued)

OTHER PUBLICATIONS

Google Image Search for Mind Reader K cup, [online], image uploaded on Jun. 27, 2012, retrieved on Nov. 27, 2012. Retrieved from, <URL: <http://www.google.com/imgres?q=Mind+Reader+3-drawer+K-cup+Coffee+Holder&um=1&hl=en&safe=active&sa=N&tbo=d&rls=com.microsoft:en-us:IE-Sea...>>, 1 page.*

Primary Examiner — Ian Simmons

Assistant Examiner — Shannon Weekley

(74) *Attorney, Agent, or Firm* — Dorsey & Whitney LLP

(57) **CLAIM**

The ornamental design of a supply pod dispenser, as shown and described.

DESCRIPTION

FIG. 1 is a front perspective view of the supply pod dispenser showing our new design;

FIG. 2 is a front view of the supply pod dispenser;

FIG. 3 is a back view of the supply pod dispenser;

FIG. 4 is a right side view of the supply pod dispenser;

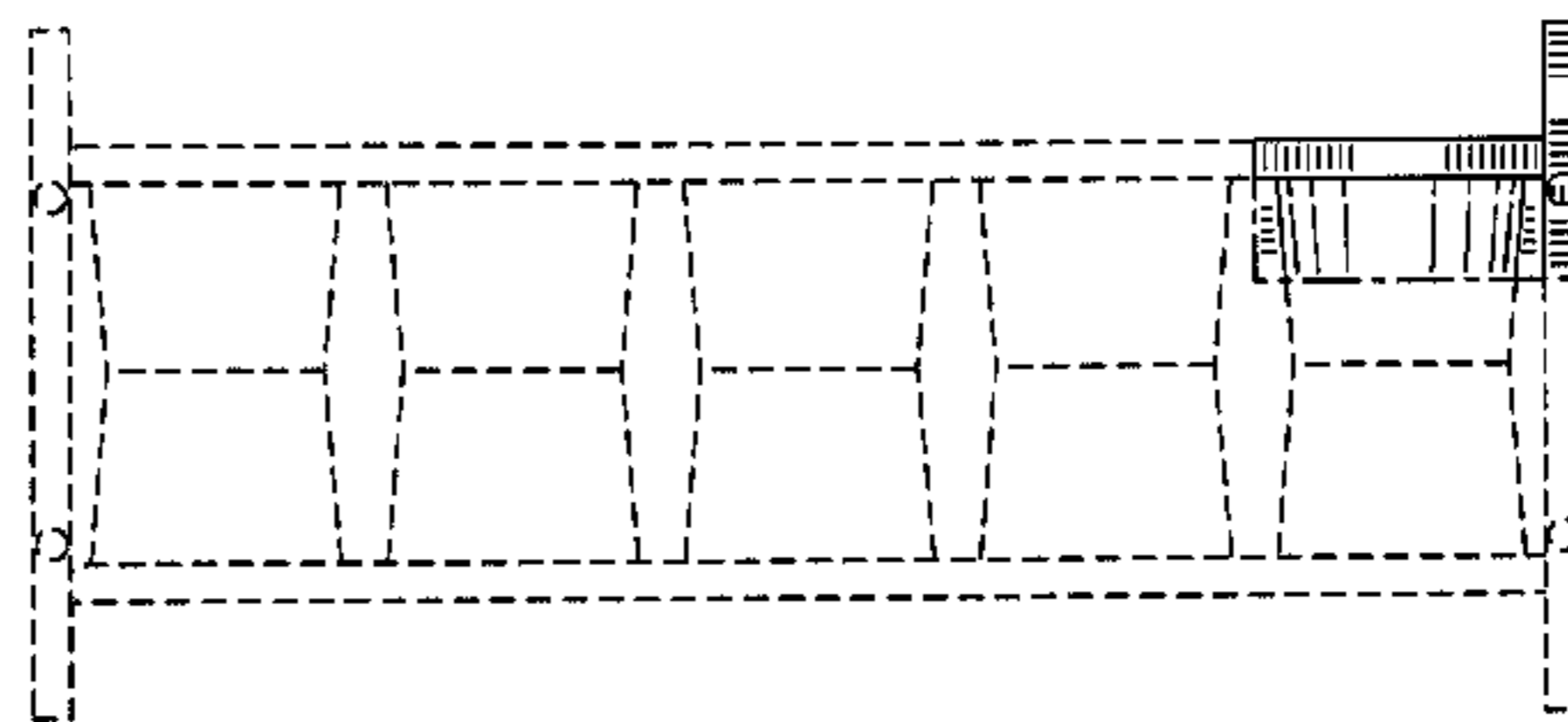
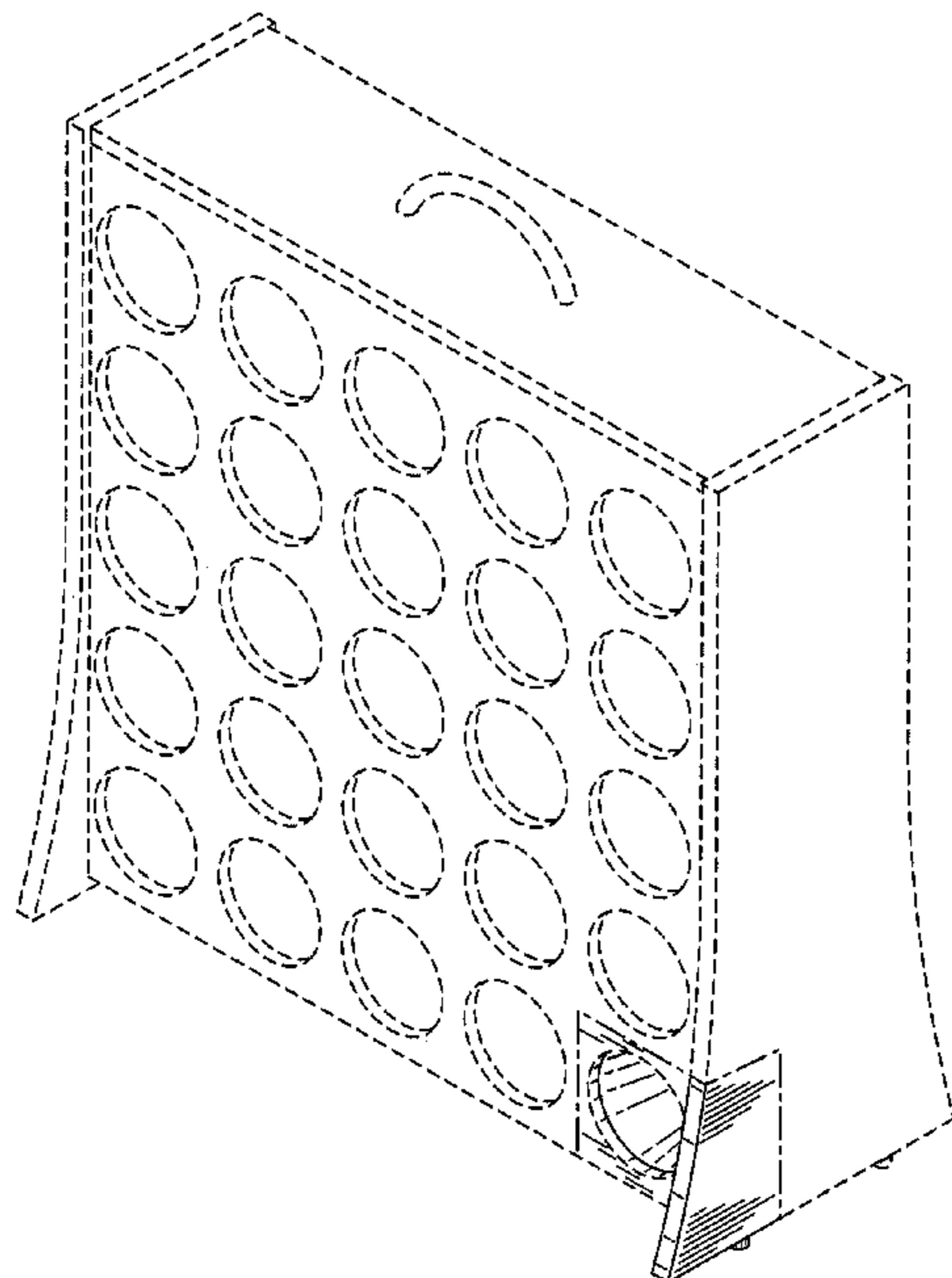
FIG. 5 is a left side view of the supply pod dispenser;

FIG. 6 is a top view of the supply pod dispenser; and,

FIG. 7 is a bottom view of the supply pod dispenser.

The broken lines are provided for illustrative purposes only, and form no part of the claimed design. In addition, the portions of the dispenser that are not shown in the drawing do not form any part of the claimed design.

1 Claim, 7 Drawing Sheets



US D680,814 S

Page 2

U.S. PATENT DOCUMENTS

4,179,033	A *	12/1979	Mitchell	211/60.1	6,425,567	B2 *	7/2002	Schutze	248/452
4,187,948	A *	2/1980	Perrella	211/85.17	6,655,687	B2 *	12/2003	Sanchez-Seco	273/271
D255,520	S *	6/1980	Lyons	D7/701	2005/0082242	A1 *	4/2005	Hurst	211/71.01
5,292,015	A *	3/1994	Bumbera	211/189						

* cited by examiner

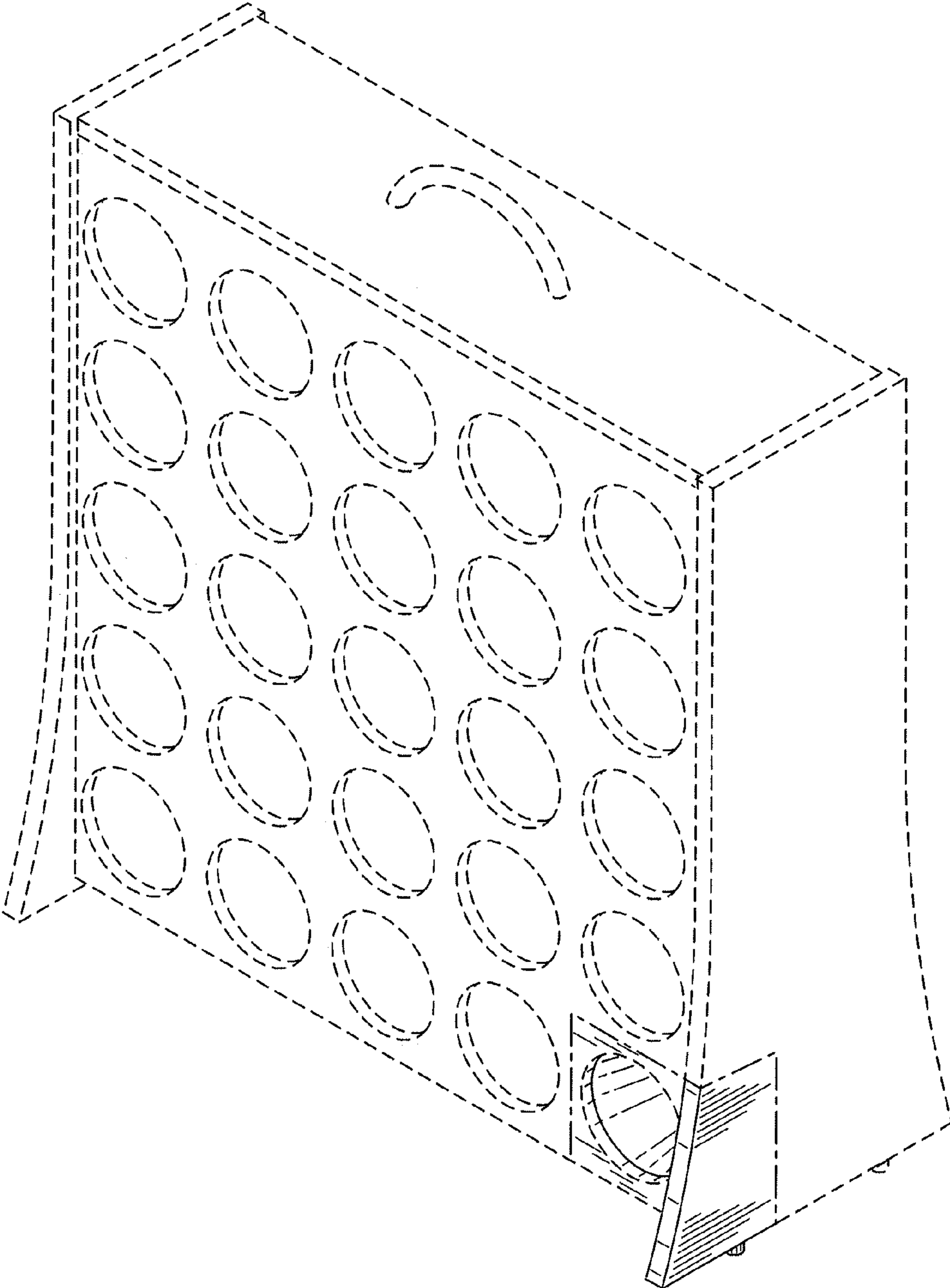


FIG. 1

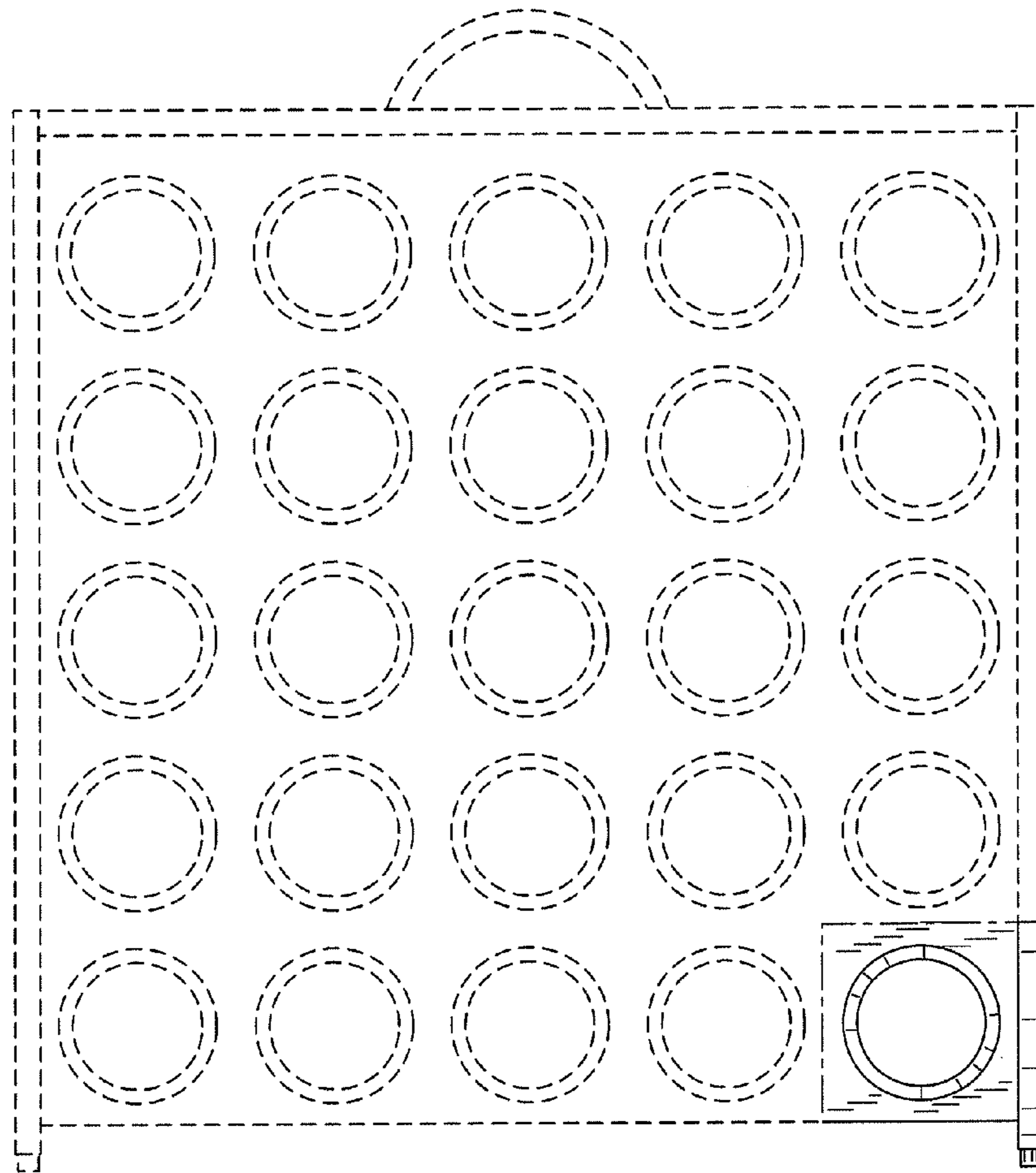


FIG. 2

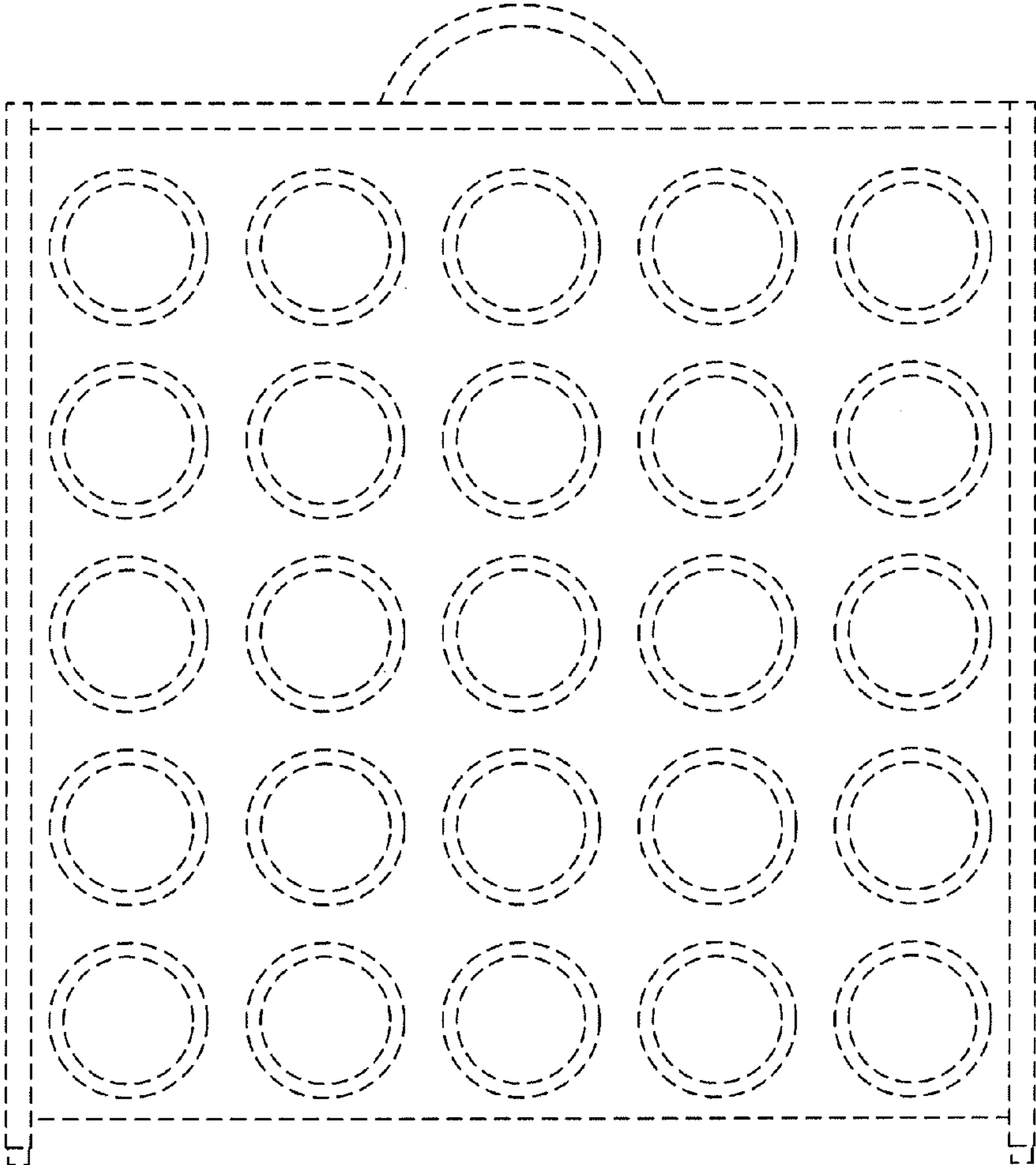


FIG. 3

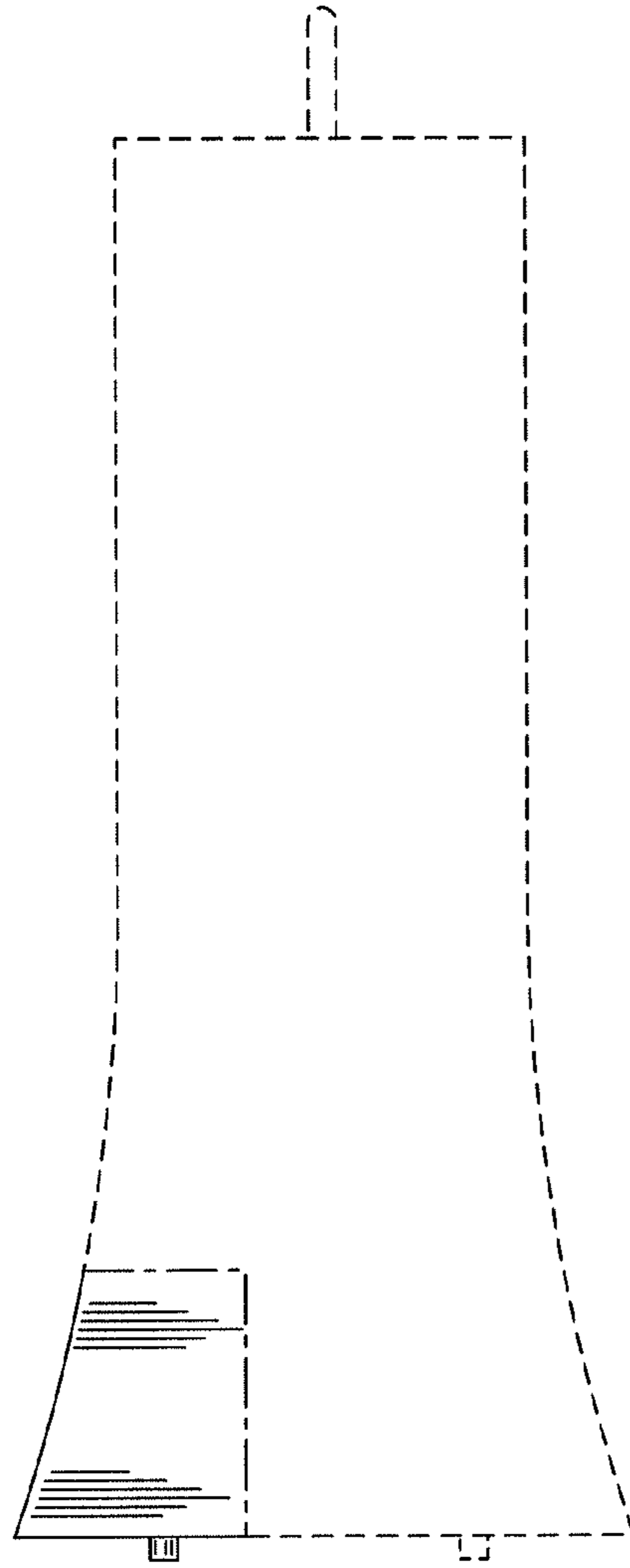


FIG. 4

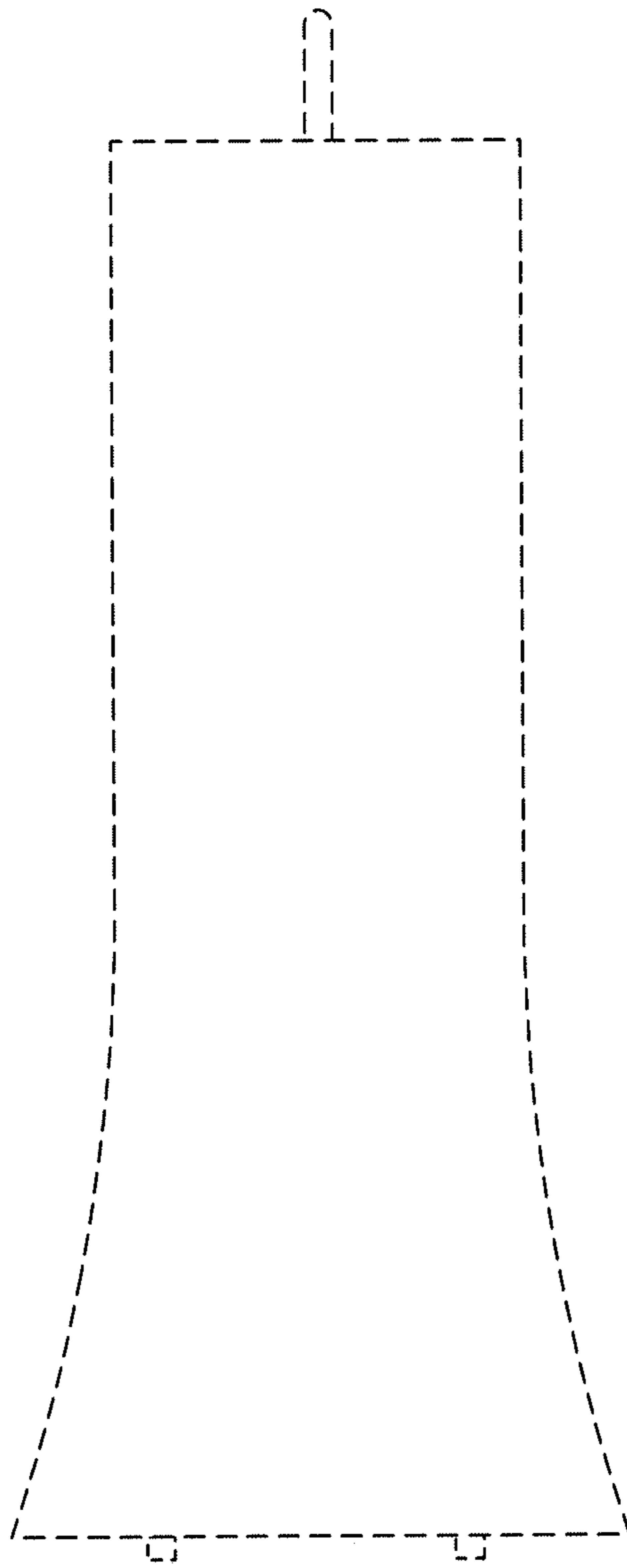


FIG. 5

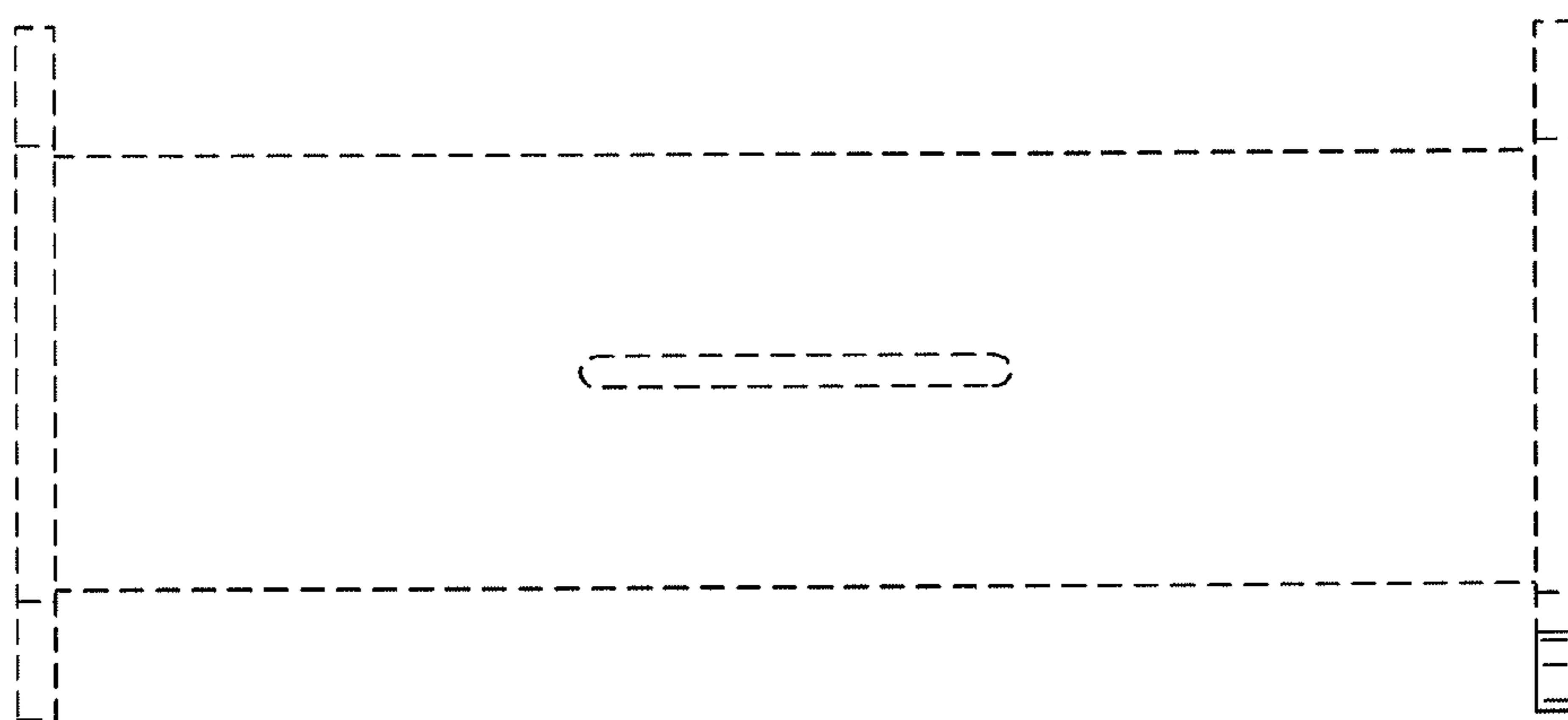


FIG. 6

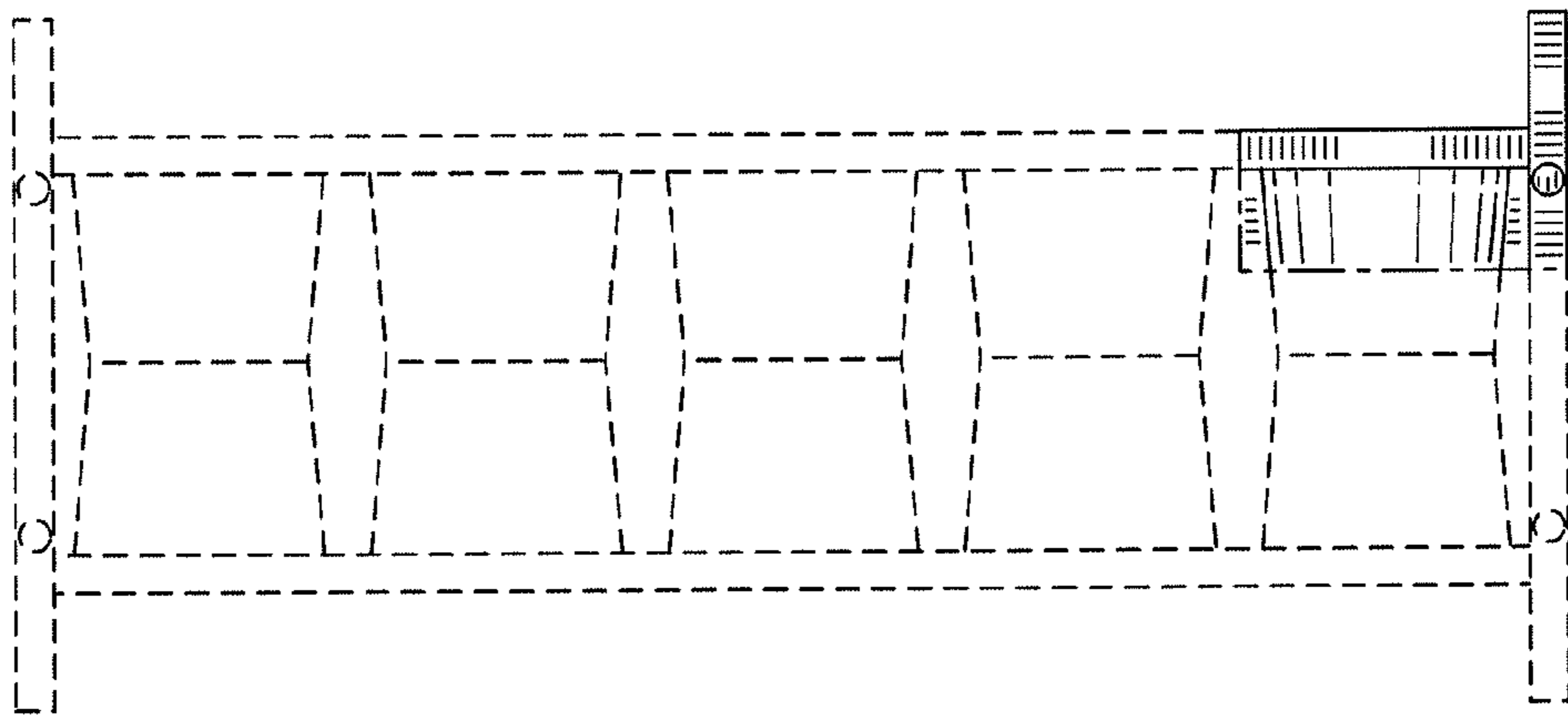


FIG. 7