



US00D680813S

(12) **United States Design Patent**
De Leo

(10) **Patent No.:** **US D680,813 S**

(45) **Date of Patent:** **** Apr. 30, 2013**

(54) **INFANT FEEDING BOWL**

(71) Applicant: **Dart Industries Inc.**, Orlando, FL (US)

(72) Inventor: **Anthony M. De Leo**, Orlando, FL (US)

(73) Assignee: **Dart Industries Inc.**, Orlando, FL (US)

(**) Term: **14 Years**

(21) Appl. No.: **29/437,669**

(22) Filed: **Nov. 20, 2012**

(51) **LOC (9) Cl.** **07-01**

(52) **U.S. Cl.**
USPC **D7/543**

(58) **Field of Classification Search** D7/501,
D7/505, 538, 543, 545, 500, 590, 360, 600.2,
D7/553.6, 392.1, 601, 354, 555, 557, 566,
D7/620, 629, 552.1, 589, 586; D9/743, 745;
220/751, 23.4, 574; 206/514; 73/426

See application file for complete search history.

(56) **References Cited**

U.S. PATENT DOCUMENTS

D222,177 S *	10/1971	Tondu	D7/543
D347,969 S *	6/1994	Cousins et al.	D7/548
5,423,452 A *	6/1995	Tardif	220/574
D477,186 S *	7/2003	de Groote et al.	D7/543
D484,363 S *	12/2003	de Groote et al.	D7/543
D522,313 S *	6/2006	Oyler et al.	D7/543
D522,809 S *	6/2006	Kusuma et al.	D7/602
D524,603 S *	7/2006	Kishbaugh et al.	D7/543
D526,850 S *	8/2006	Sellers et al.	D7/545

D538,599 S *	3/2007	Miller	D7/586
D543,074 S *	5/2007	Luft	D7/543
D545,629 S *	7/2007	Mellen et al.	D7/543
D564,138 S *	3/2008	Dunn et al.	D30/129
D571,614 S *	6/2008	Curtin	D7/545
D619,421 S *	7/2010	France et al.	D7/586
D625,956 S *	10/2010	Goddard-Clark et al.	D7/543
D627,198 S *	11/2010	Hull et al.	D7/587
D639,115 S *	6/2011	Stewart et al.	D7/543
D643,248 S *	8/2011	Schmidt	D7/505
D645,705 S *	9/2011	Shamoon	D7/543
D656,792 S *	4/2012	Sink et al.	D7/586
2005/0127073 A1 *	6/2005	Kusuma et al.	220/6
2010/0170840 A1 *	7/2010	Curtin	210/232

* cited by examiner

Primary Examiner — Cynthia Underwood

(74) *Attorney, Agent, or Firm* — Taylor J. Ross

(57) **CLAIM**

The ornamental design for an infant feeding bowl, as shown and described.

DESCRIPTION

FIG. 1 is a top, side and front perspective view of an infant feeding bowl showing my new design;

FIG. 2 is a top plan view thereof;

FIG. 3 is a bottom plan view thereof;

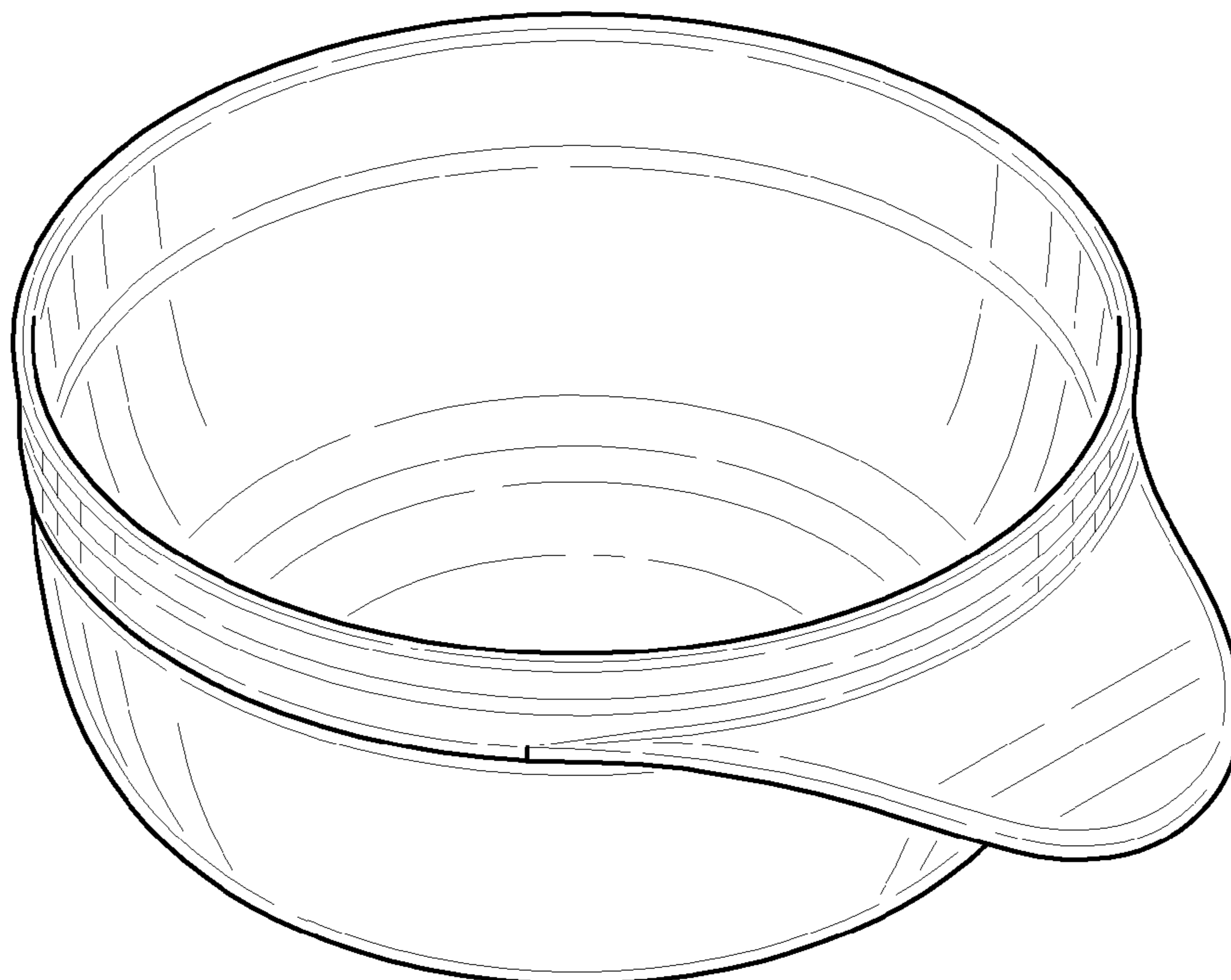
FIG. 4 is a front elevation view, the rear elevation being a mirror image thereof;

FIG. 5 right side elevation view thereof;

FIG. 6 is a left side elevation view thereof; and,

FIG. 7 is cross-sectional view taken along line 7-7 of FIG. 2.

1 Claim, 3 Drawing Sheets



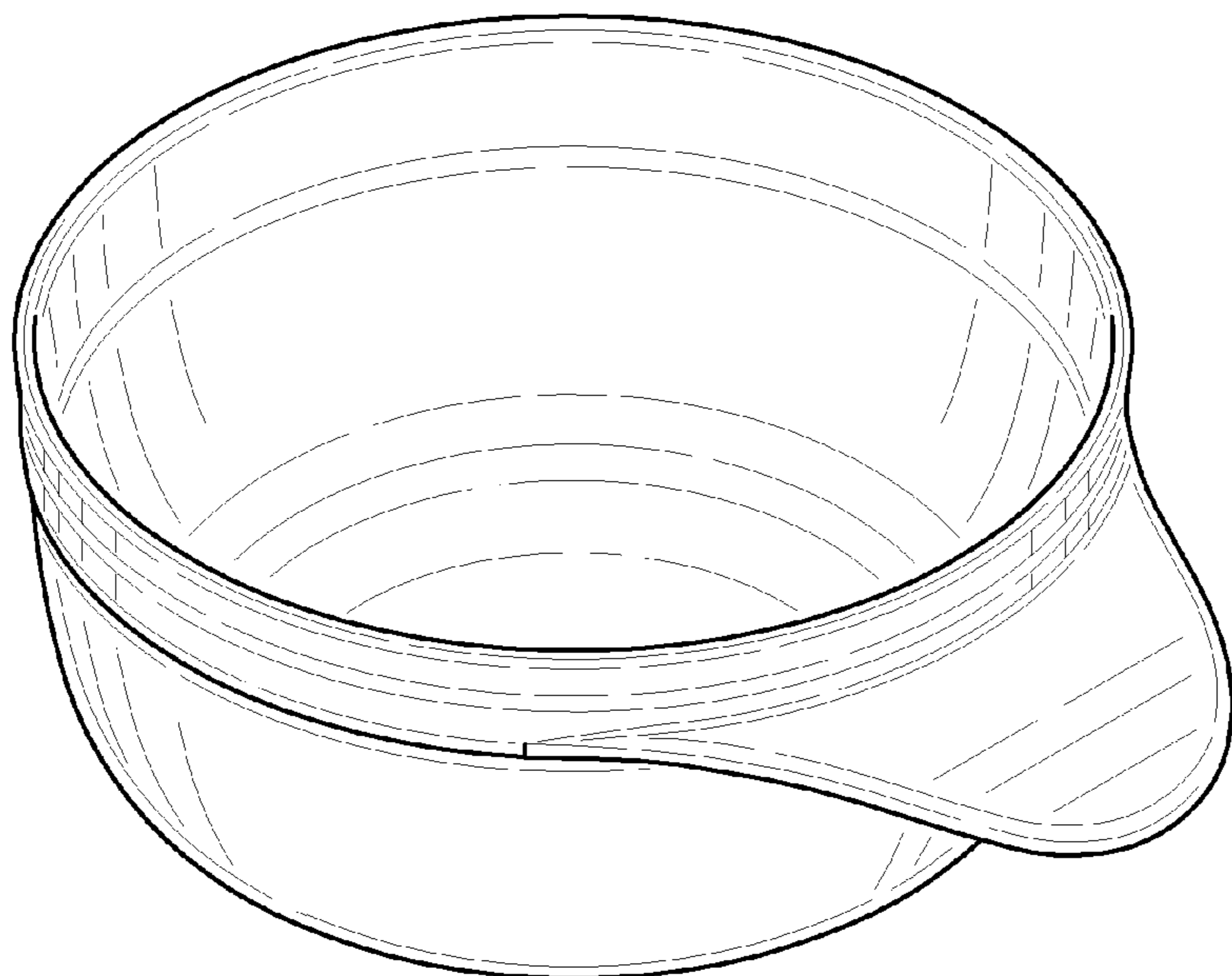


FIG. 1

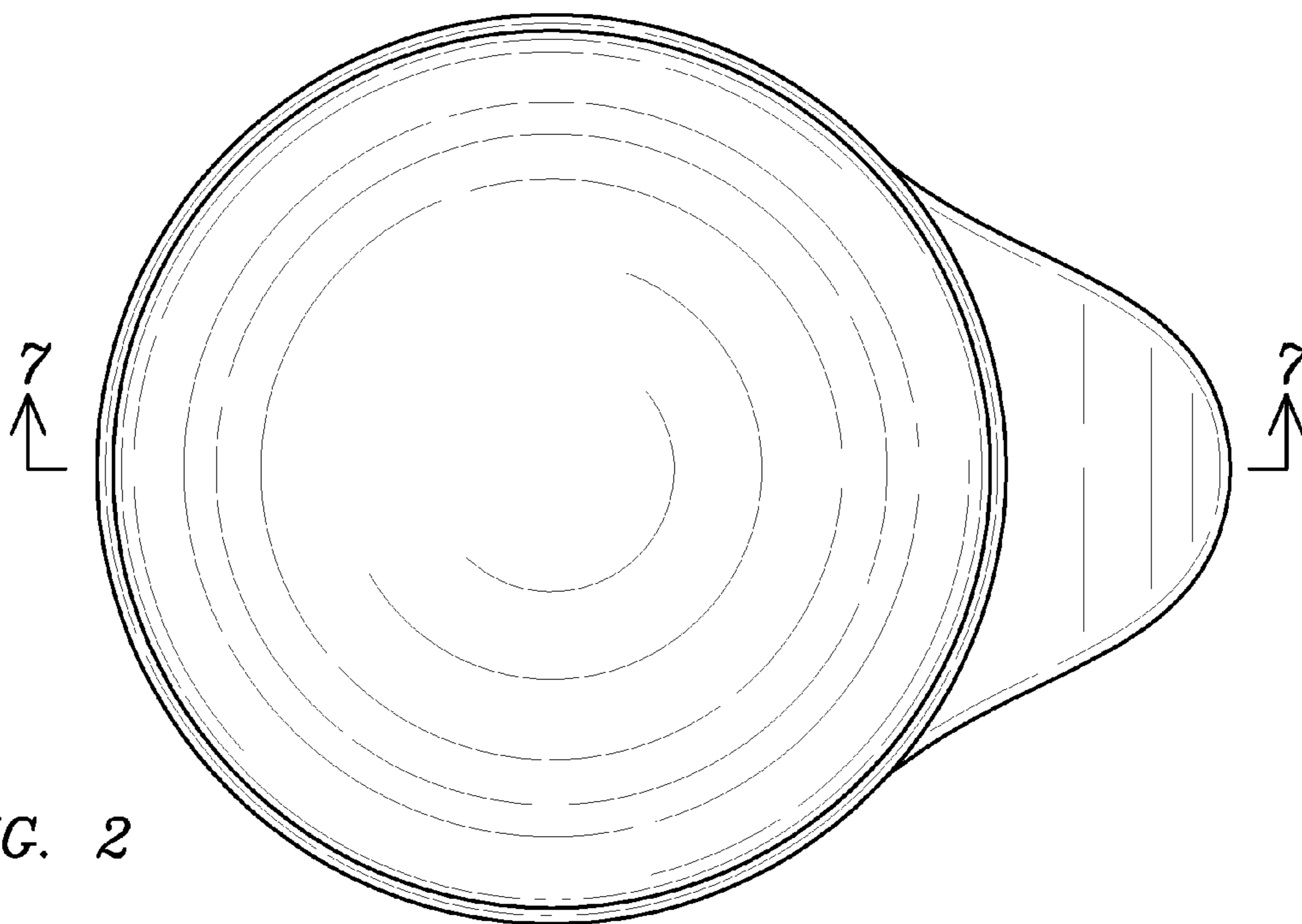


FIG. 2

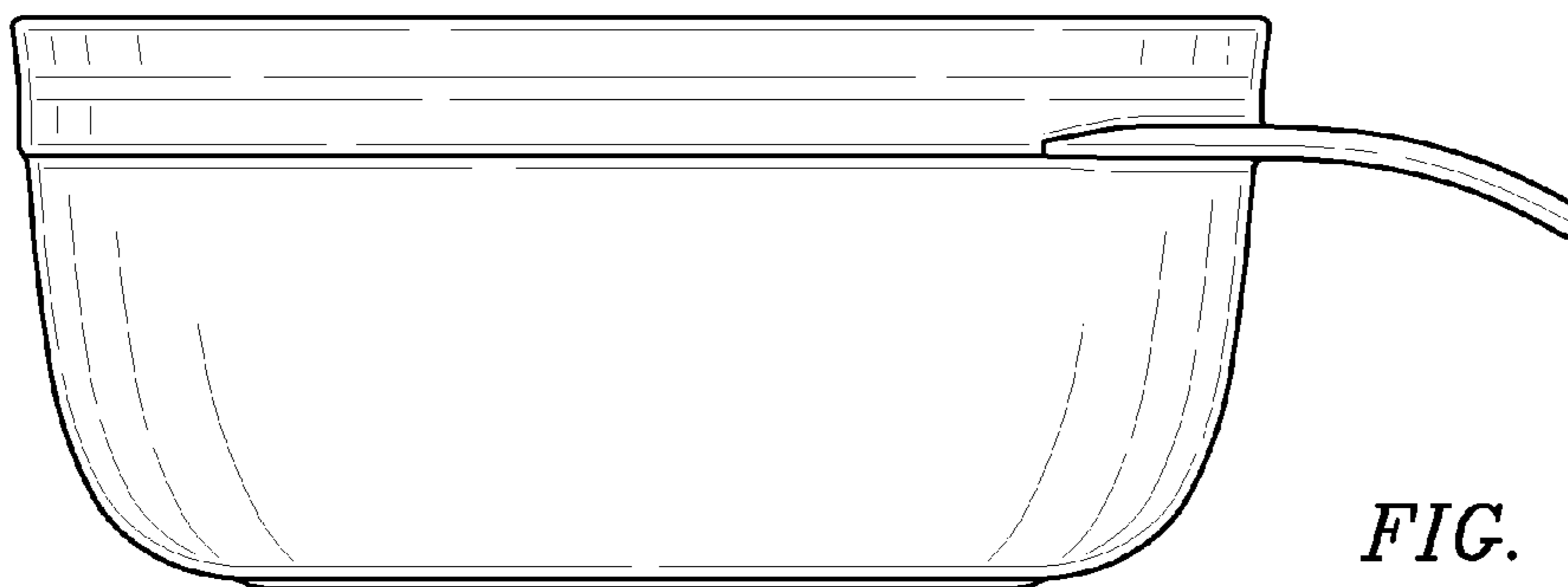


FIG. 4

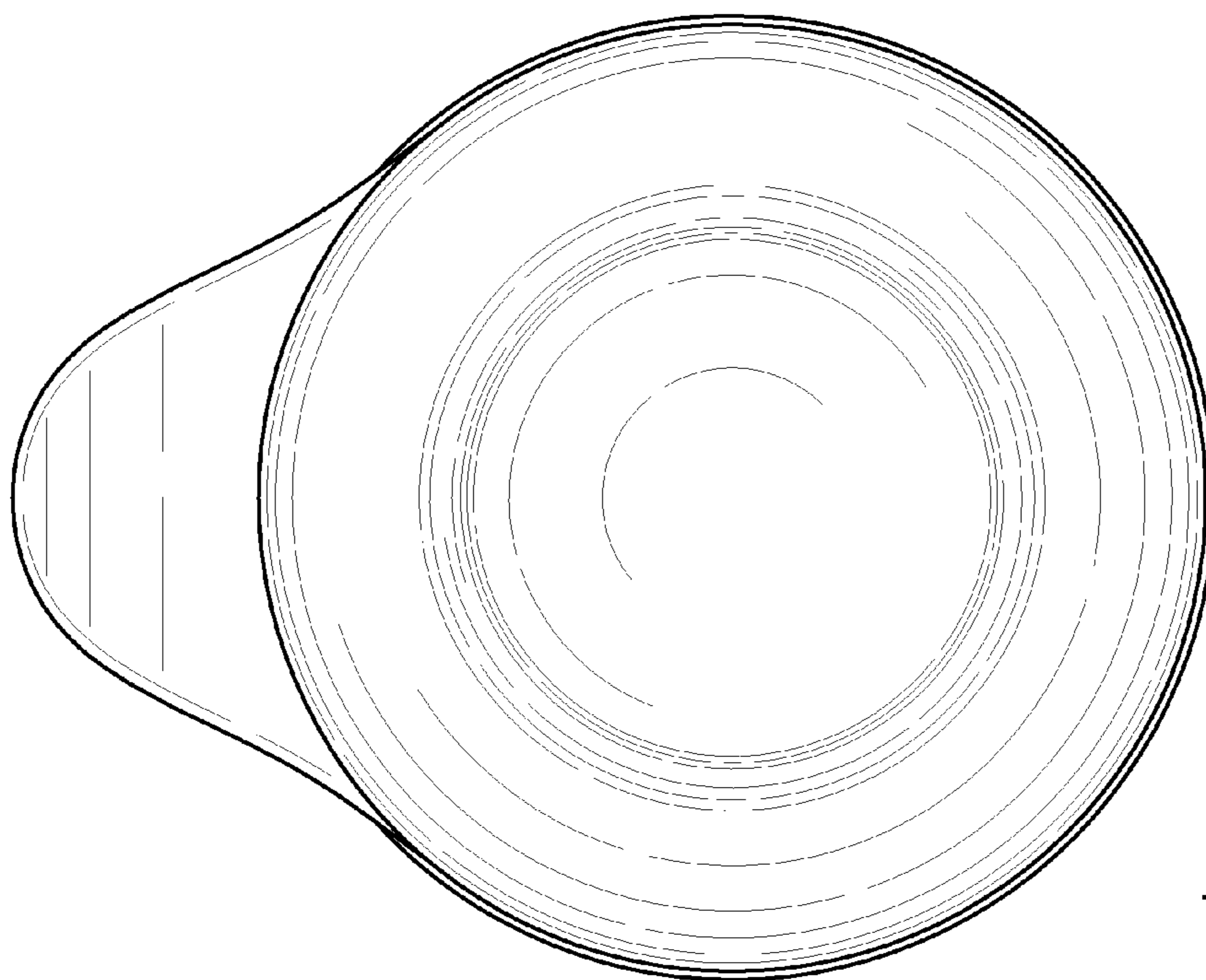


FIG. 3

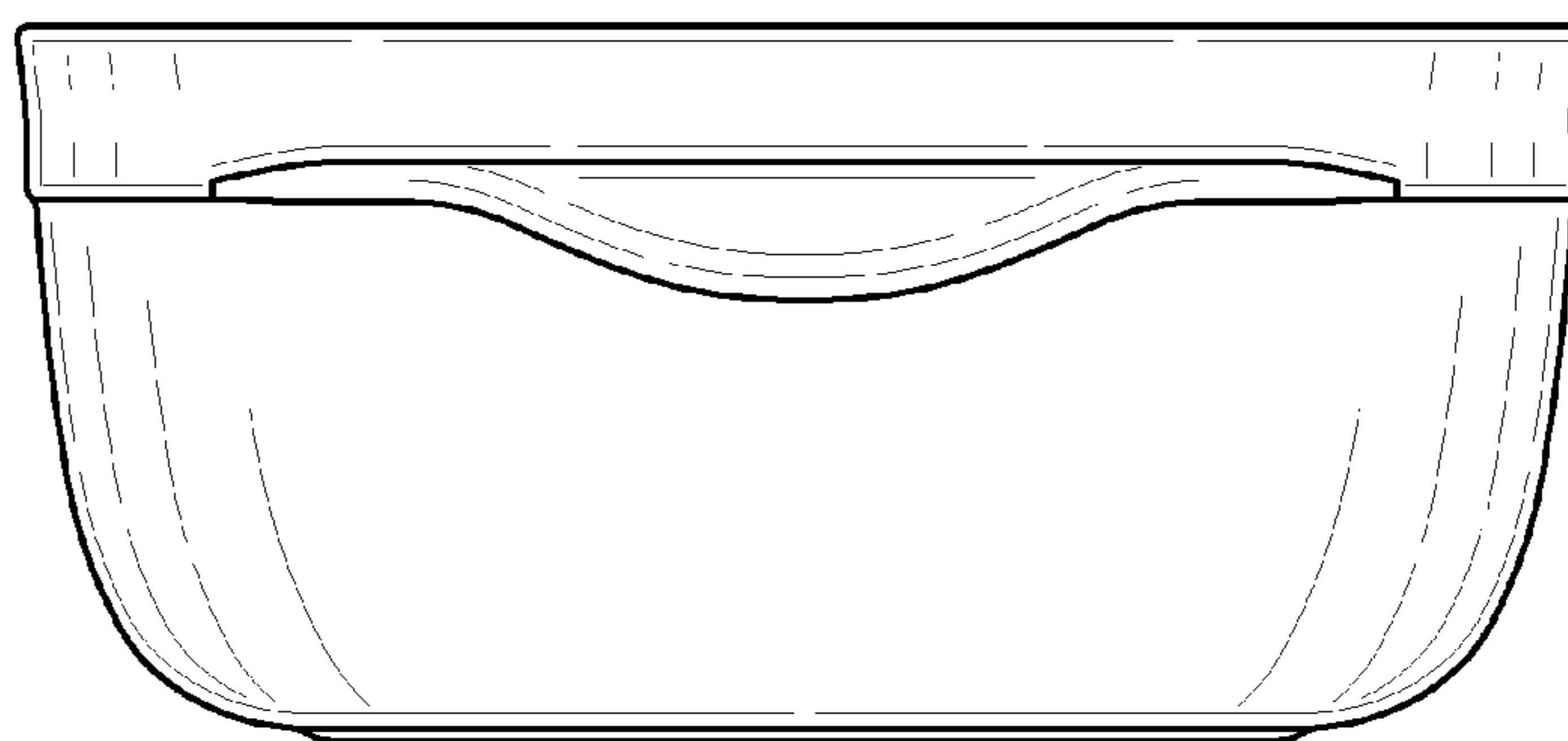


FIG. 5

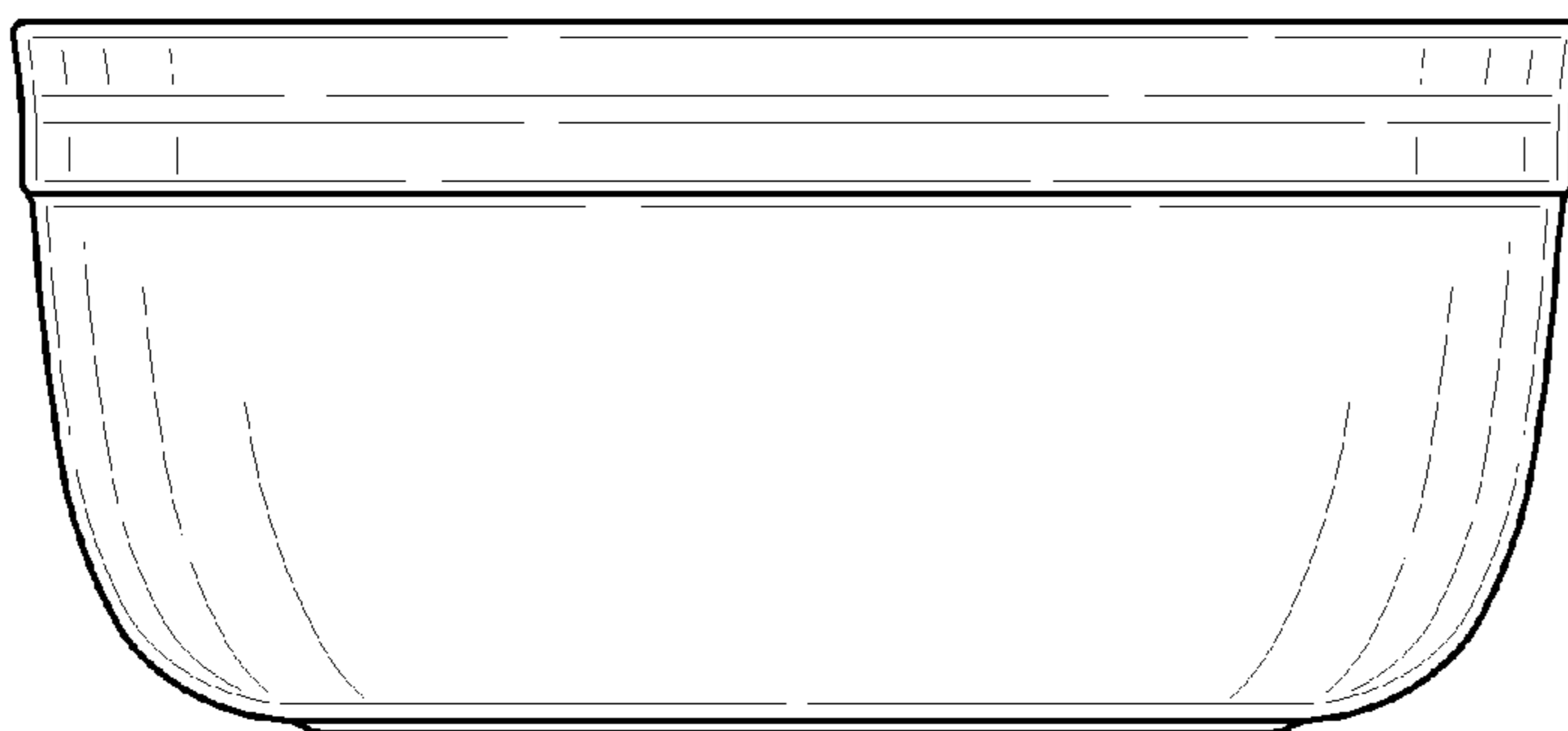


FIG. 6

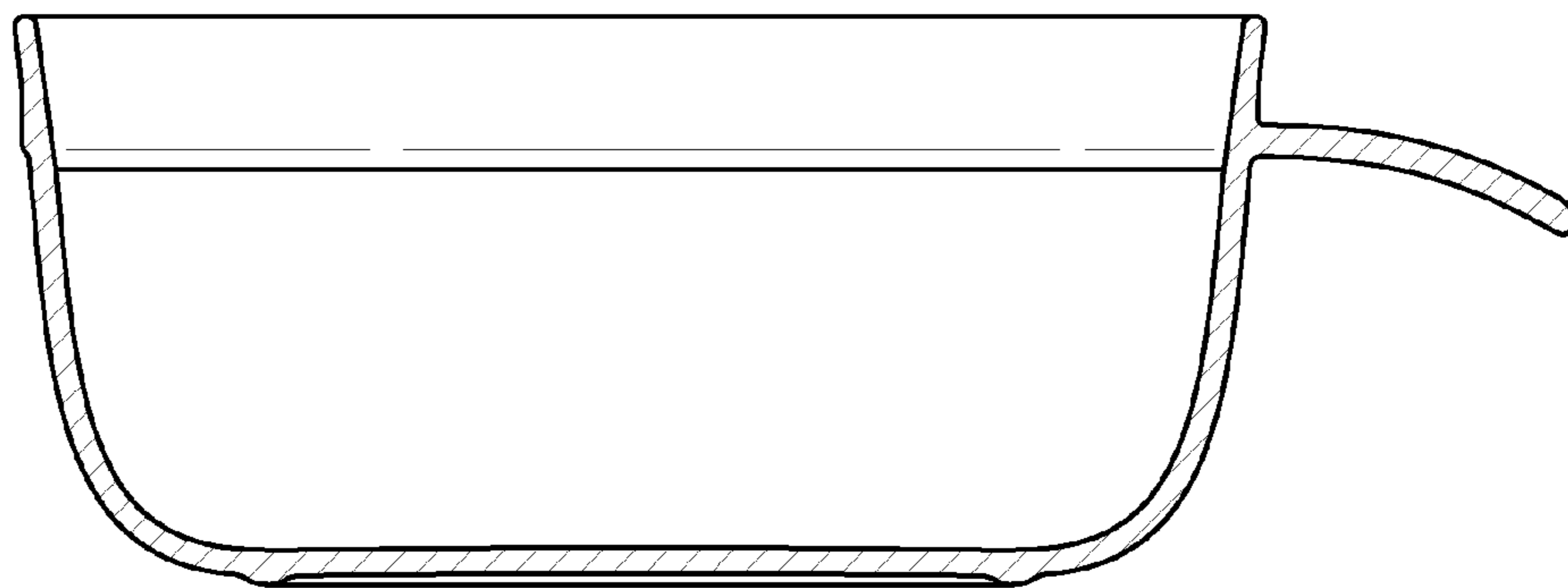


FIG. 7