



US00D680811S

(12) **United States Design Patent**  
**Chou**

(10) **Patent No.:** **US D680,811 S**  
(45) **Date of Patent:** **\*\* Apr. 30, 2013**

(54) **APPARATUS FOR HOLDING AND HEATING  
A HOT POT**

(75) Inventor: **Chi How Chou**, Hacienda Heights, CA  
(US)

(73) Assignee: **Boiling Point Group, Inc.**, La Puente,  
CA (US)

(\*\*) Term: **14 Years**

(21) Appl. No.: **29/413,366**

(22) Filed: **Feb. 14, 2012**

(51) **LOC (9) Cl.** ..... **07-02**

(52) **U.S. Cl.**  
USPC ..... **D7/409; D7/367**

(58) **Field of Classification Search** ..... D7/323,  
D7/329-331, 337, 339, 346-347, 350.1-350.4,  
D7/352-367, 391, 393, 395, 402-409, 538,  
D7/542, 674; 99/323.3, 324-325, 331-332,  
99/337-349, 358, 369-376, 380, 389, 400-418,  
99/422, 425, 444-446, 483; 126/9 R, 37 R,  
126/40, 215, 261, 378.1; 206/501-505, 507-508;  
219/386, 400, 405, 429-442, 450.1, 452.11,  
219/452.13, 620-624, 725, 730-735; 220/23.8,  
220/315, 573.1-573.5, 912; 426/438, 441  
See application file for complete search history.

(56) **References Cited**

**U.S. PATENT DOCUMENTS**

1,959,198 A \* 5/1934 Conry ..... 126/9 R  
2,142,418 A \* 1/1939 Stocker ..... 126/40

D215,514 S \* 10/1969 Betzer ..... D7/363  
4,448,186 A \* 5/1984 Smith ..... 126/215  
D297,701 S \* 9/1988 Nakagawa et al. .... D7/363  
D305,290 S \* 1/1990 Springer ..... D7/367  
D387,240 S \* 12/1997 Simmonds et al. .... D7/339  
5,928,542 A \* 7/1999 Miguelino ..... 219/432  
D413,765 S \* 9/1999 Adler et al. .... D7/407  
6,314,867 B1 \* 11/2001 Russell ..... 99/323.3  
7,726,234 B2 \* 6/2010 Glier ..... 99/348  
D636,630 S \* 4/2011 Shingler ..... D7/367  
2002/0033390 A1 \* 3/2002 Von Mosshaim ..... 219/452.11

\* cited by examiner

*Primary Examiner* — Ricky Pham

(74) *Attorney, Agent, or Firm* — Ardent Law Group, P.C.;  
Anthony King

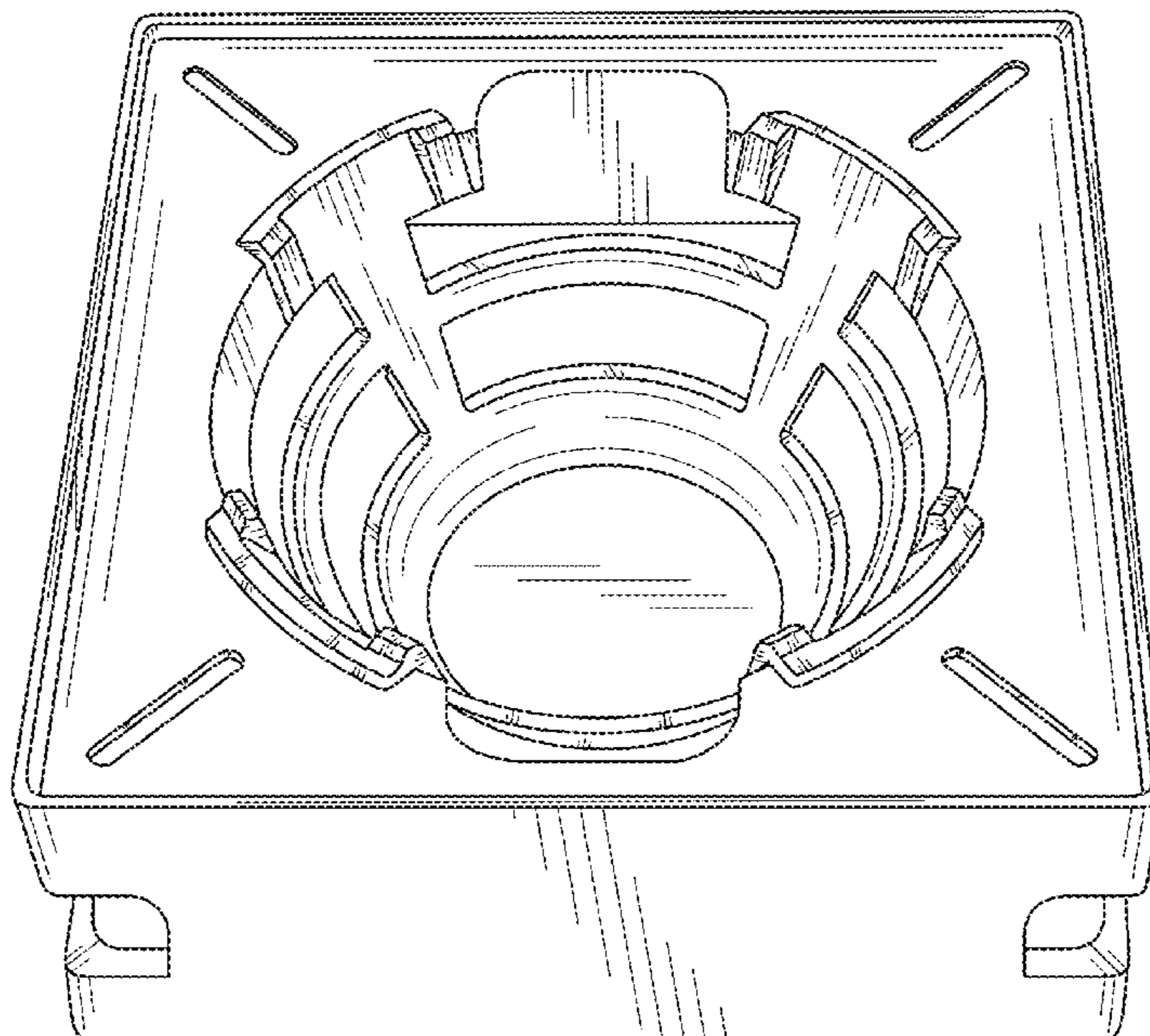
(57) **CLAIM**

The ornamental design for an apparatus for holding and heat-  
ing a hot pot, as shown and described.

**DESCRIPTION**

FIG. 1 is a top and side perspective view of the present  
invention;  
FIG. 2 is a front view of the present invention of FIG. 1;  
FIG. 3 is a back view of the present invention of FIG. 1;  
FIG. 4 is a left side view of the present invention of FIG. 1;  
FIG. 5 is a right side view of the present invention of FIG. 1;  
FIG. 6 is a bottom view of the present invention of FIG. 1;  
and,  
FIG. 7 is a top view of the present invention of FIG. 1.

**1 Claim, 5 Drawing Sheets**



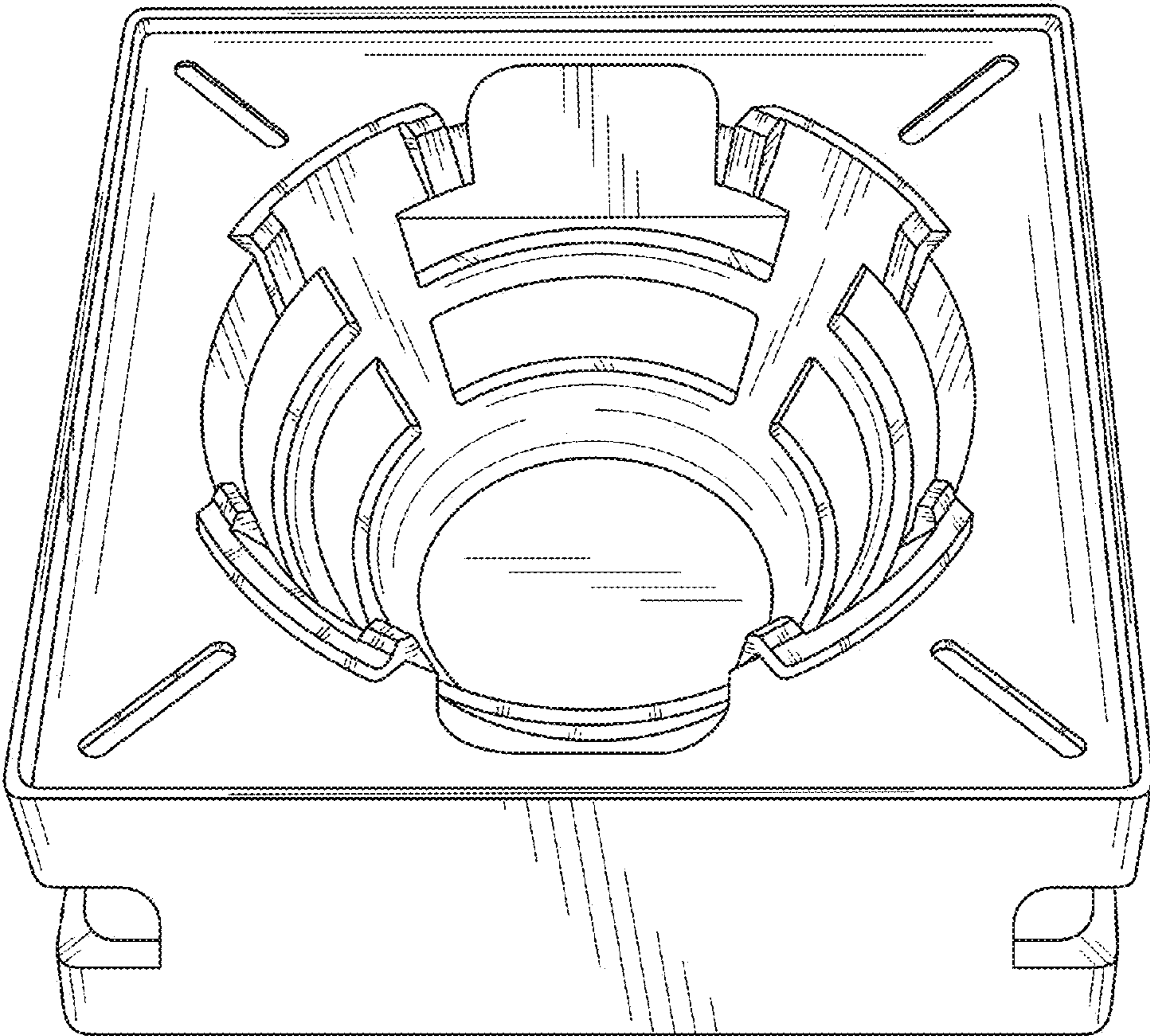


FIG. 1

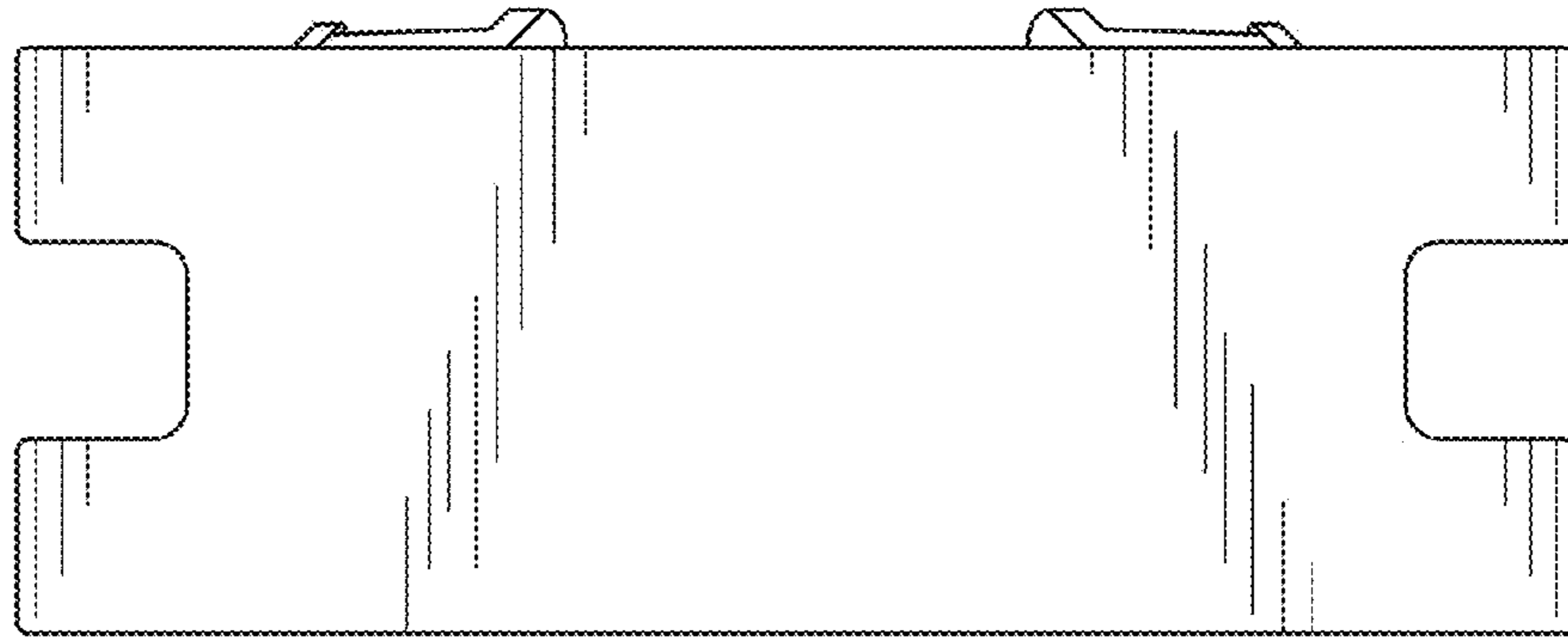


FIG. 2

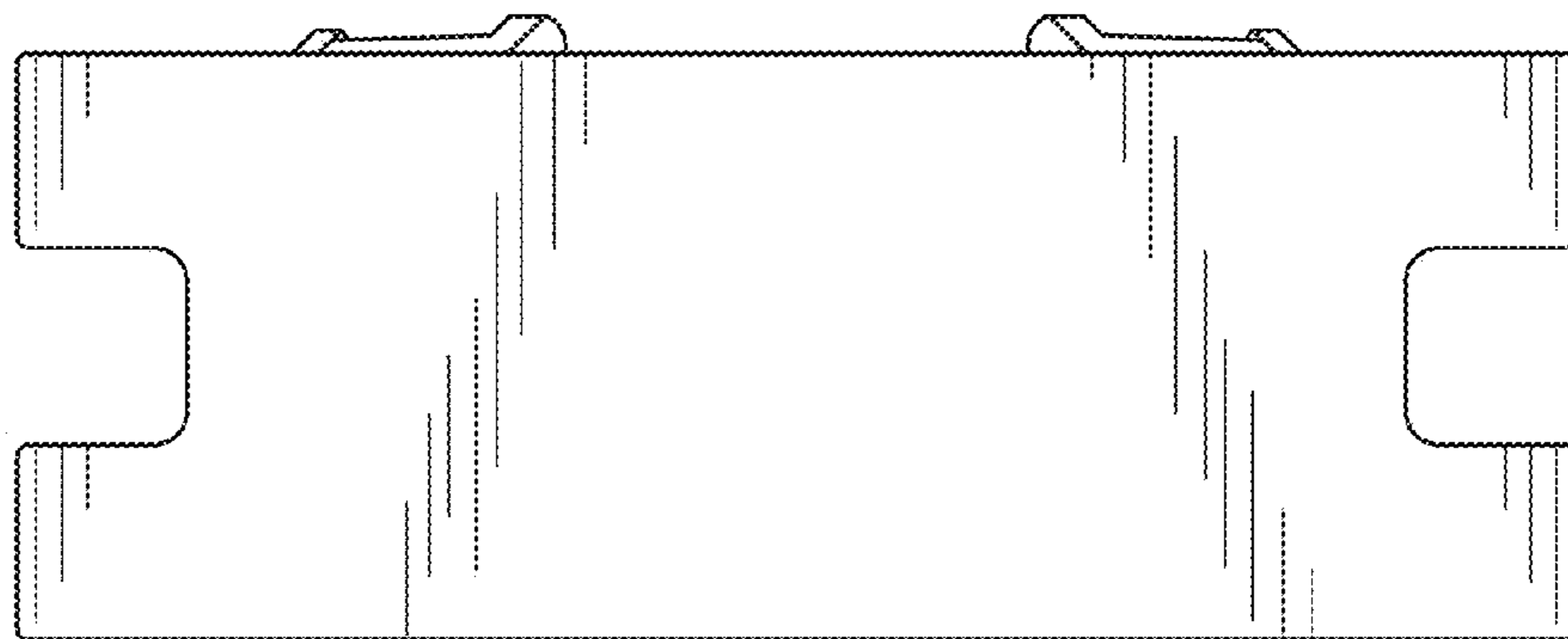


FIG. 3

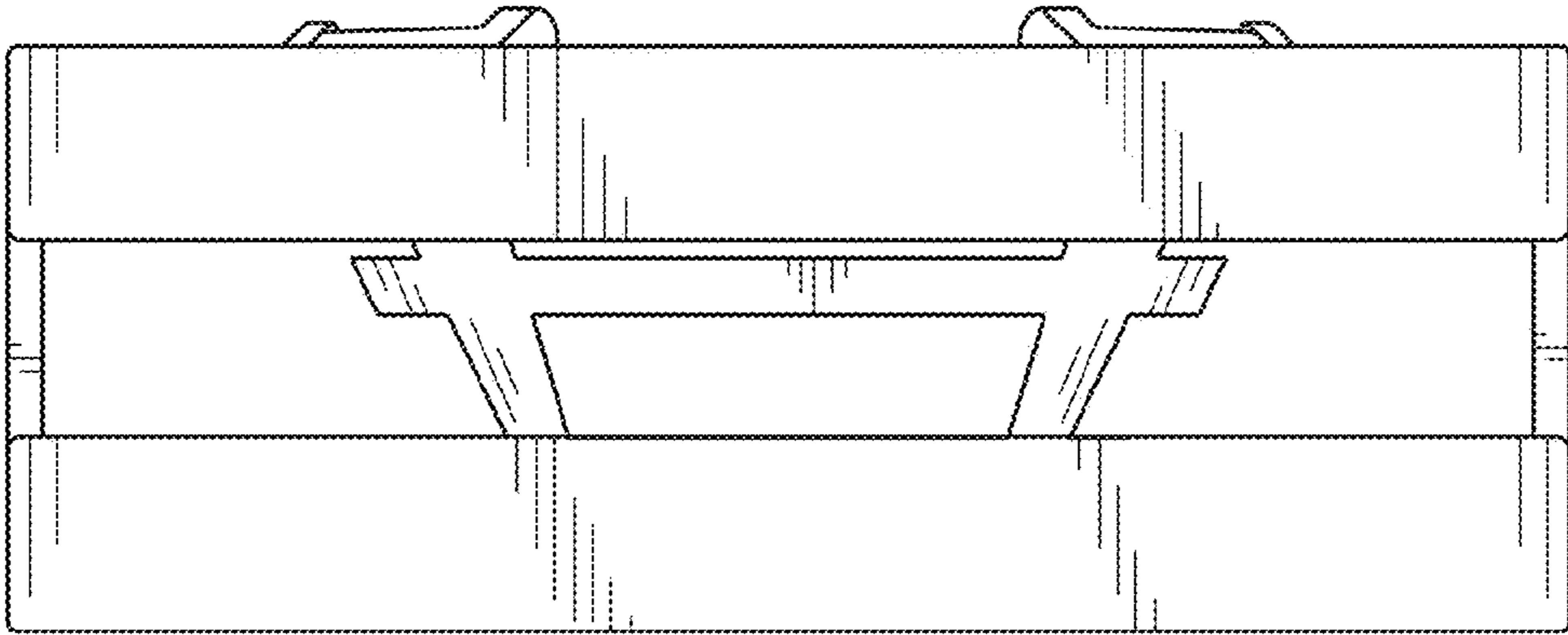


FIG. 4

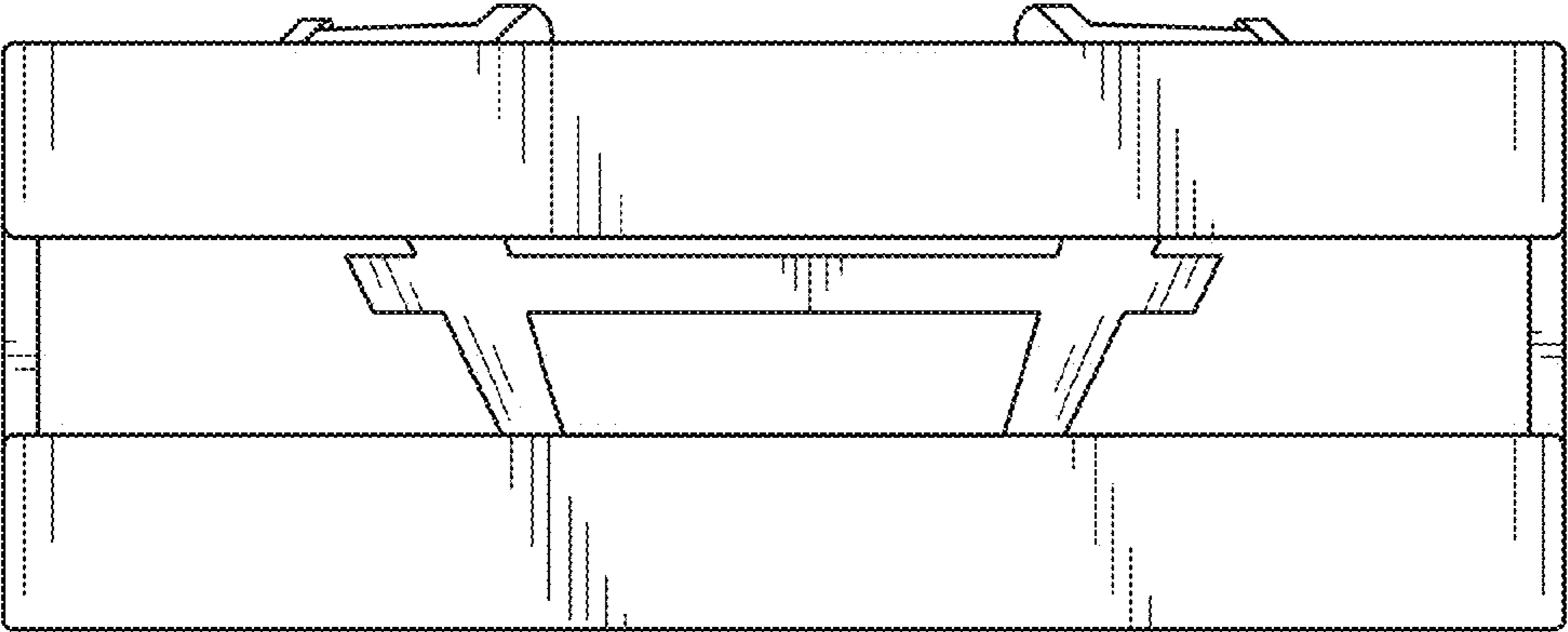


FIG. 5

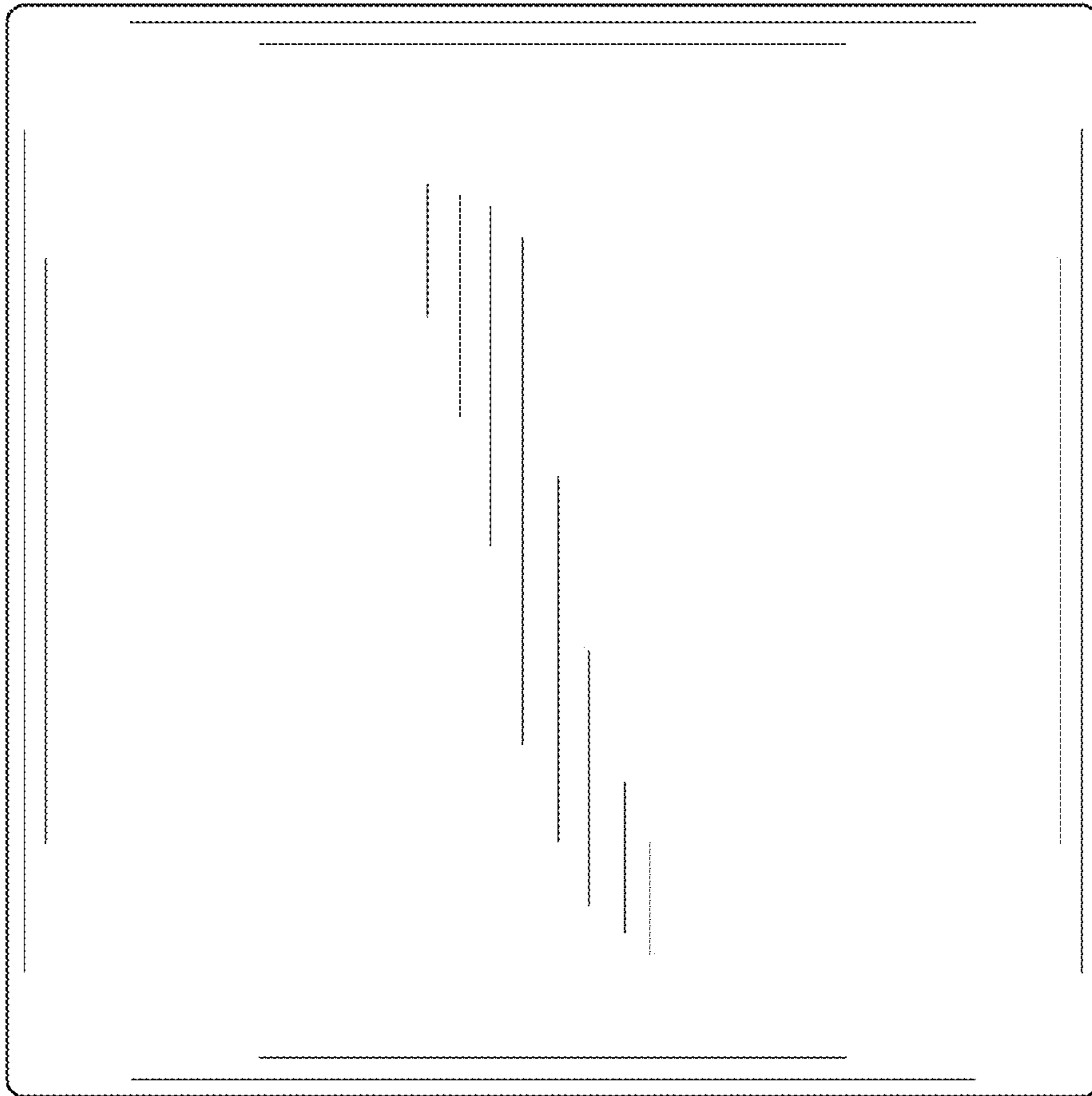


FIG. 6

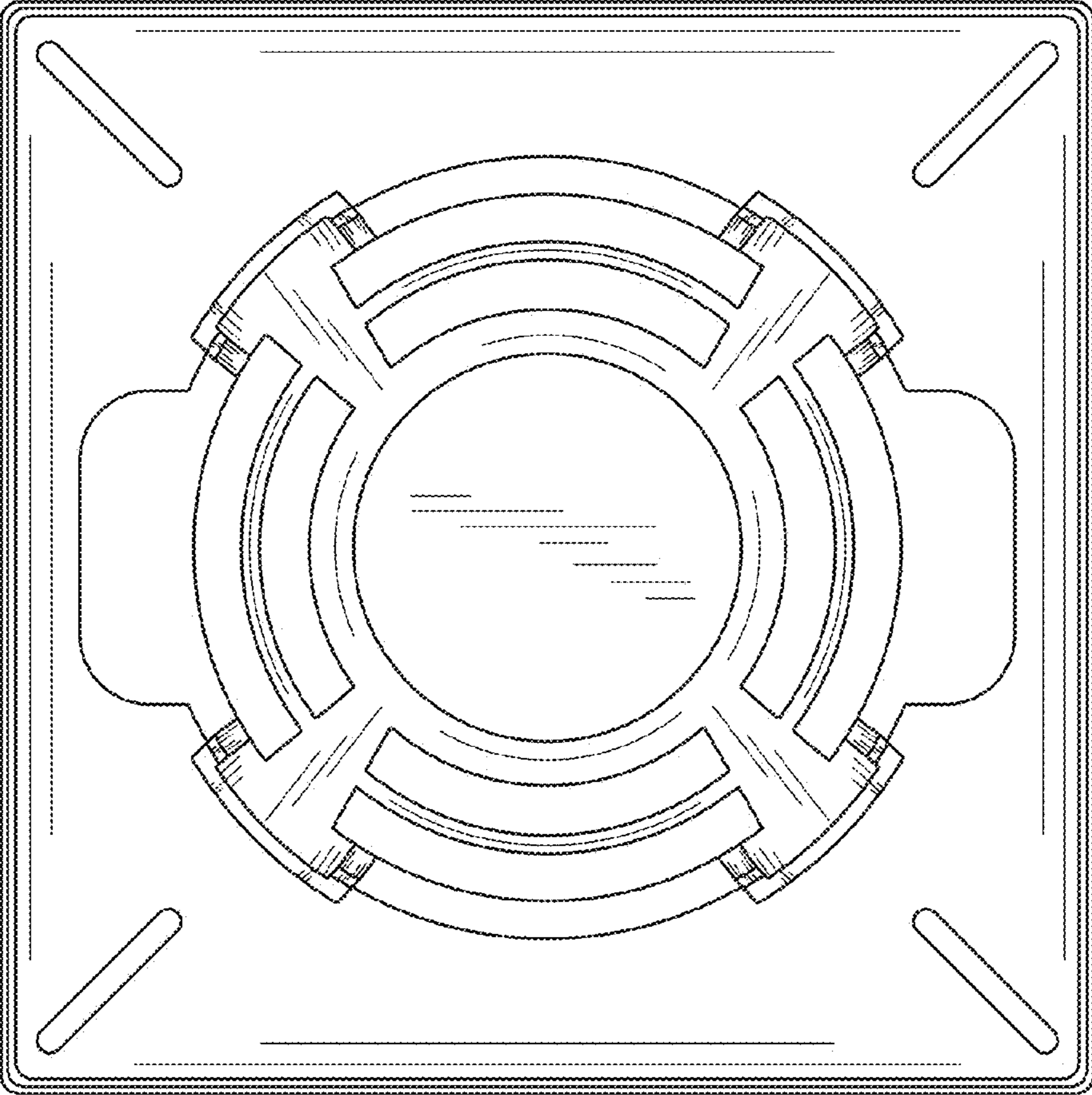


FIG. 7