



US00D680806S

(12) **United States Design Patent**  
**Munari**

(10) **Patent No.:** **US D680,806 S**  
(45) **Date of Patent:** **\*\* Apr. 30, 2013**

(54) **SIDE-HANDLE FOR COOKWARE**  
(75) Inventor: **Marco Munari**, Cardano Al Campo (IT)  
(73) Assignee: **LA Termoplastico F.B.M. S.R.L.**, Arsago  
Seprio (VA) (IT)  
(\*\*) Term: **14 Years**  
(21) Appl. No.: **29/422,563**  
(22) Filed: **May 22, 2012**

(30) **Foreign Application Priority Data**

Nov. 24, 2011 (EM) ..... 001951955

(51) **LOC (9) Cl.** ..... **07-02**

(52) **U.S. Cl.**  
USPC ..... **D7/394**

(58) **Field of Classification Search** ..... D7/354-361,  
D7/391, 393, 394; D8/300, 301, 305, 307,  
D8/308, 310, 311, 312, 316, 319, 320; 220/752;  
16/110.1, 402, 410, 412, 414, 417, 433, 441-443  
See application file for complete search history.

(56) **References Cited**

**U.S. PATENT DOCUMENTS**

D348,178 S \* 6/1994 Munari ..... D7/394  
D391,444 S \* 3/1998 Munari ..... D7/394  
D444,345 S \* 7/2001 Rae ..... D7/394

D461,092 S \* 8/2002 Coudurier ..... D7/393  
D470,011 S \* 2/2003 Munari ..... D7/394  
D496,557 S \* 9/2004 Munari ..... D7/394  
D510,231 S \* 10/2005 Coudurier ..... D7/393  
D524,597 S \* 7/2006 Munari ..... D7/394  
D525,079 S \* 7/2006 Munari ..... D7/394  
D528,856 S \* 9/2006 Pascal ..... D7/394  
D561,524 S \* 2/2008 Munari ..... D7/394  
D584,920 S \* 1/2009 Munari ..... D7/394  
D620,748 S \* 8/2010 Munari ..... D7/394

\* cited by examiner

*Primary Examiner* — Cynthia M Chin

(74) *Attorney, Agent, or Firm* — Hedman & Costigan, P.C.;  
Kathleen A. Costigan

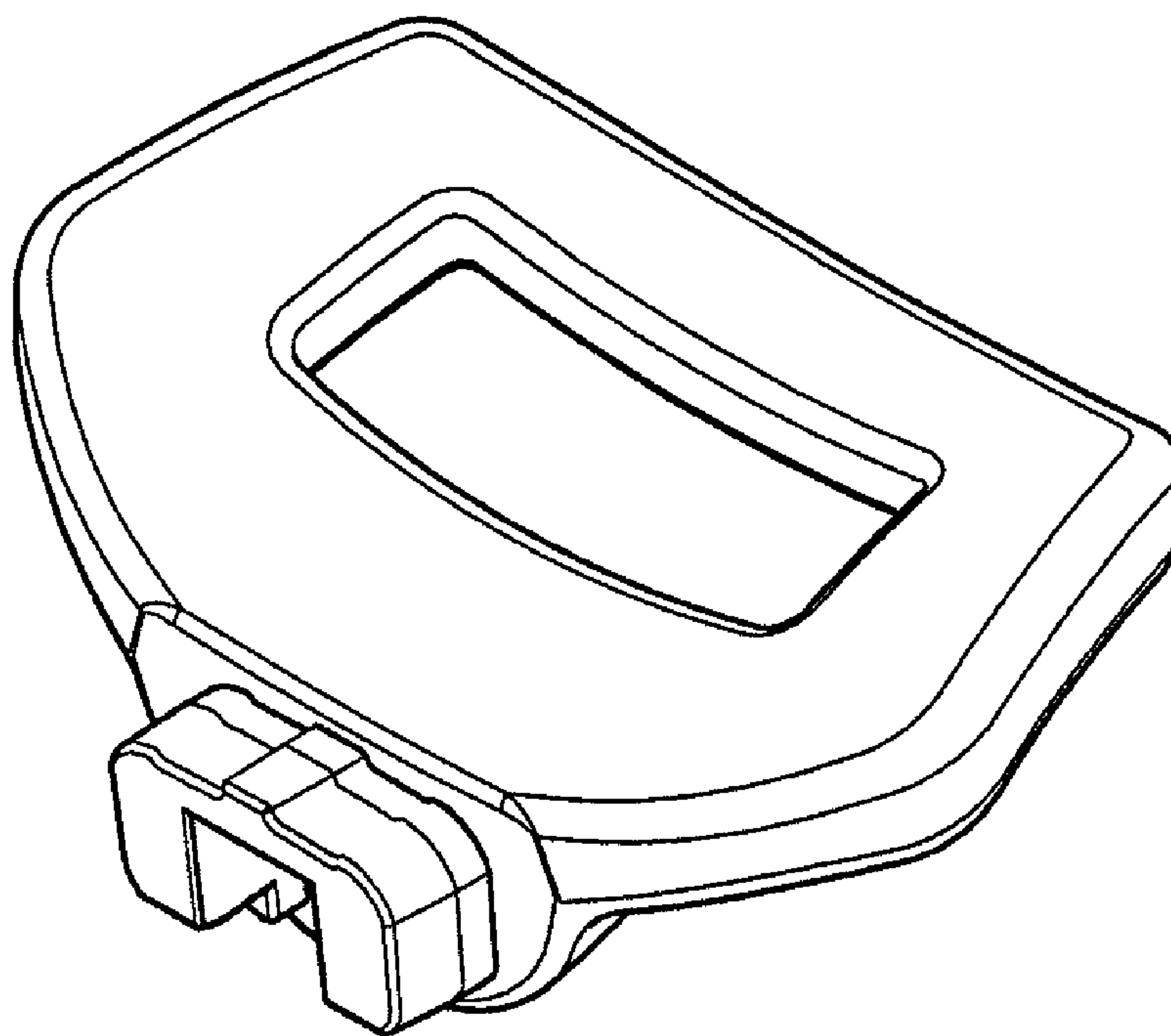
(57) **CLAIM**

I claim the ornamental design for a side-handle for cookware,  
as shown and described.

**DESCRIPTION**

FIG. 1 is a perspective view of a side-handle for cookware;  
FIG. 2 is a front view thereof;  
FIG. 3 is a rear view thereof;  
FIG. 4 is a left side view thereof;  
FIG. 5 is a right side view thereof;  
FIG. 6 is a top plan view thereof; and,  
FIG. 7 is a bottom plan view thereof.

**1 Claim, 2 Drawing Sheets**



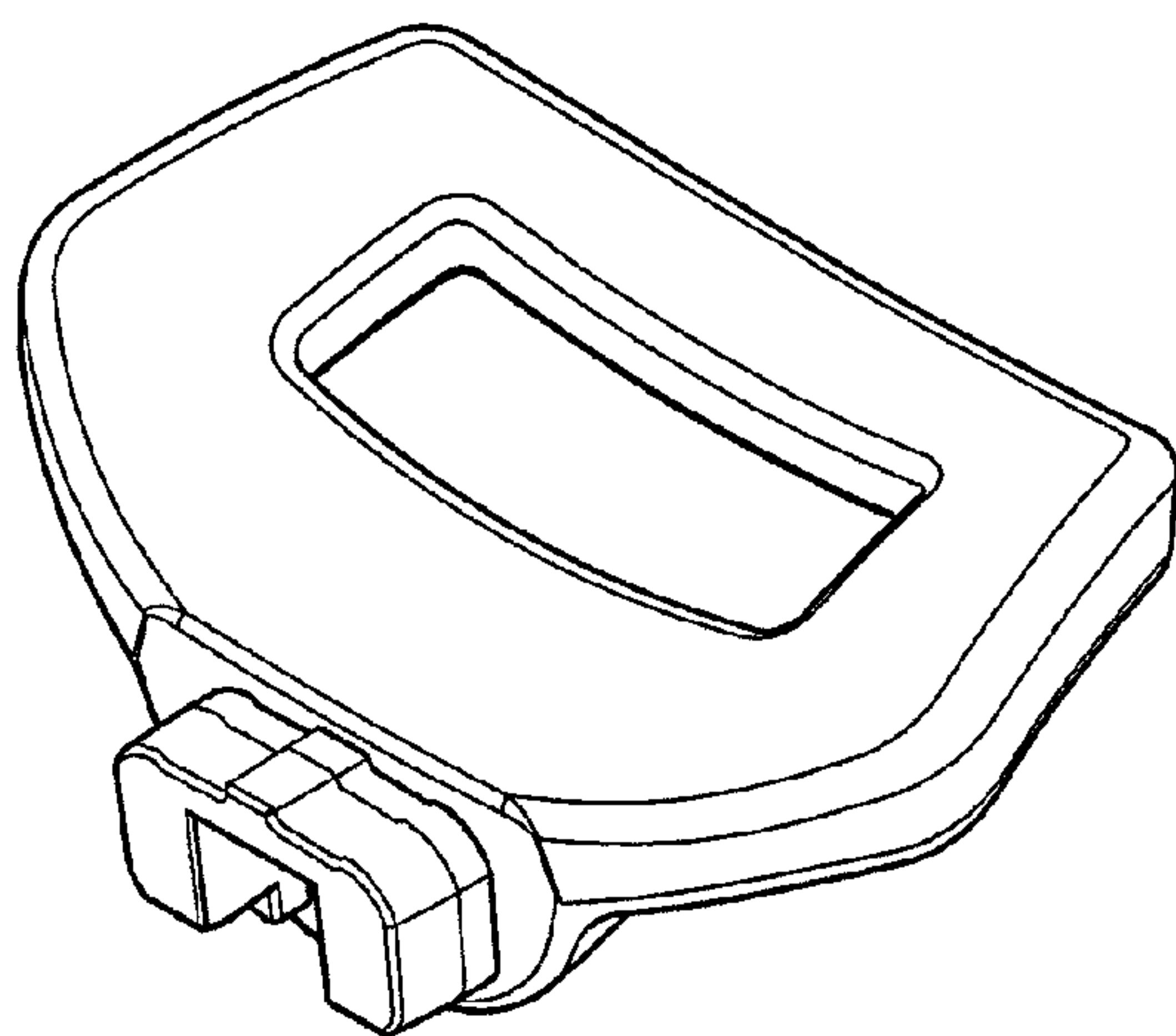


Fig. 1

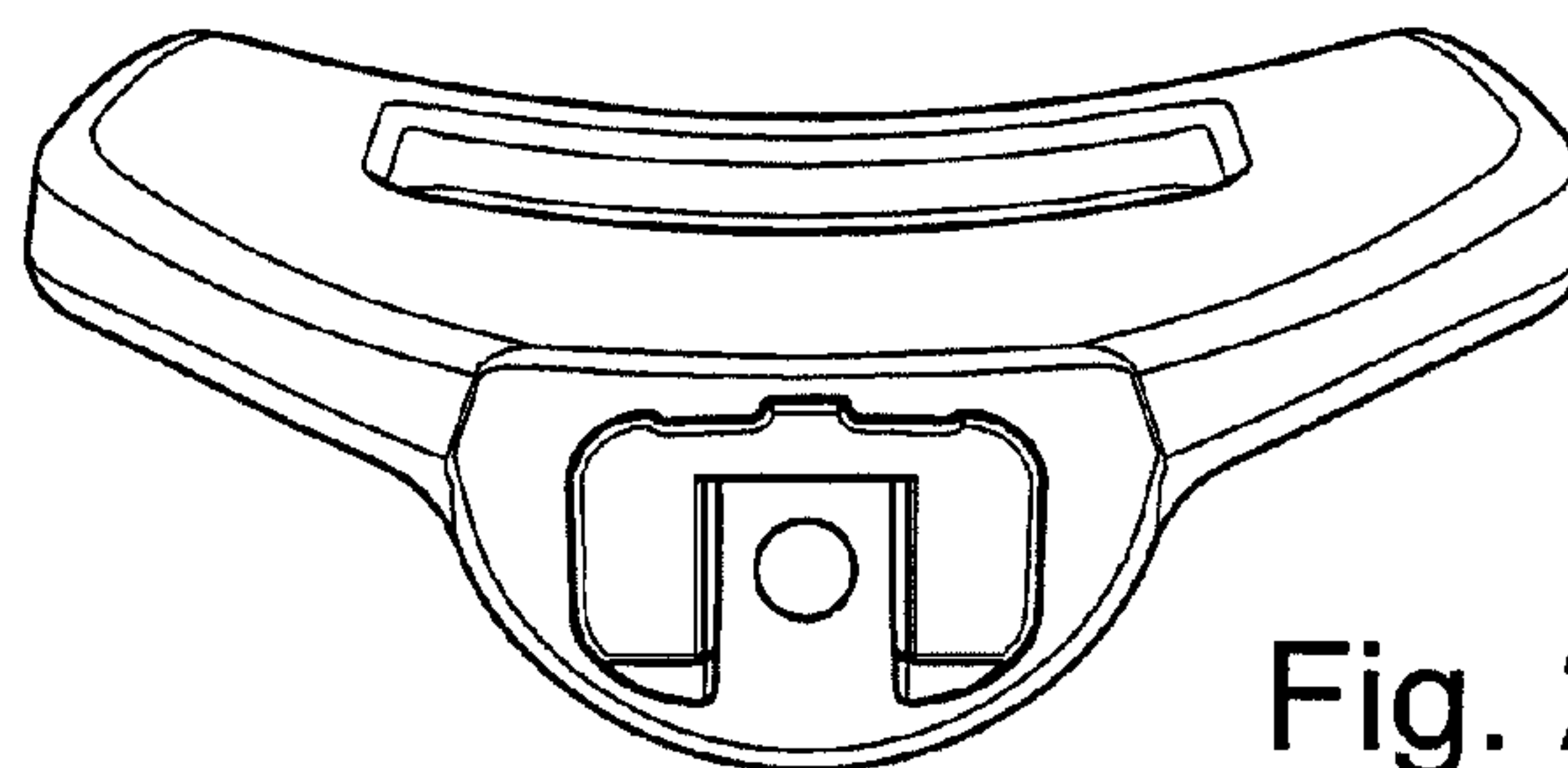


Fig. 2

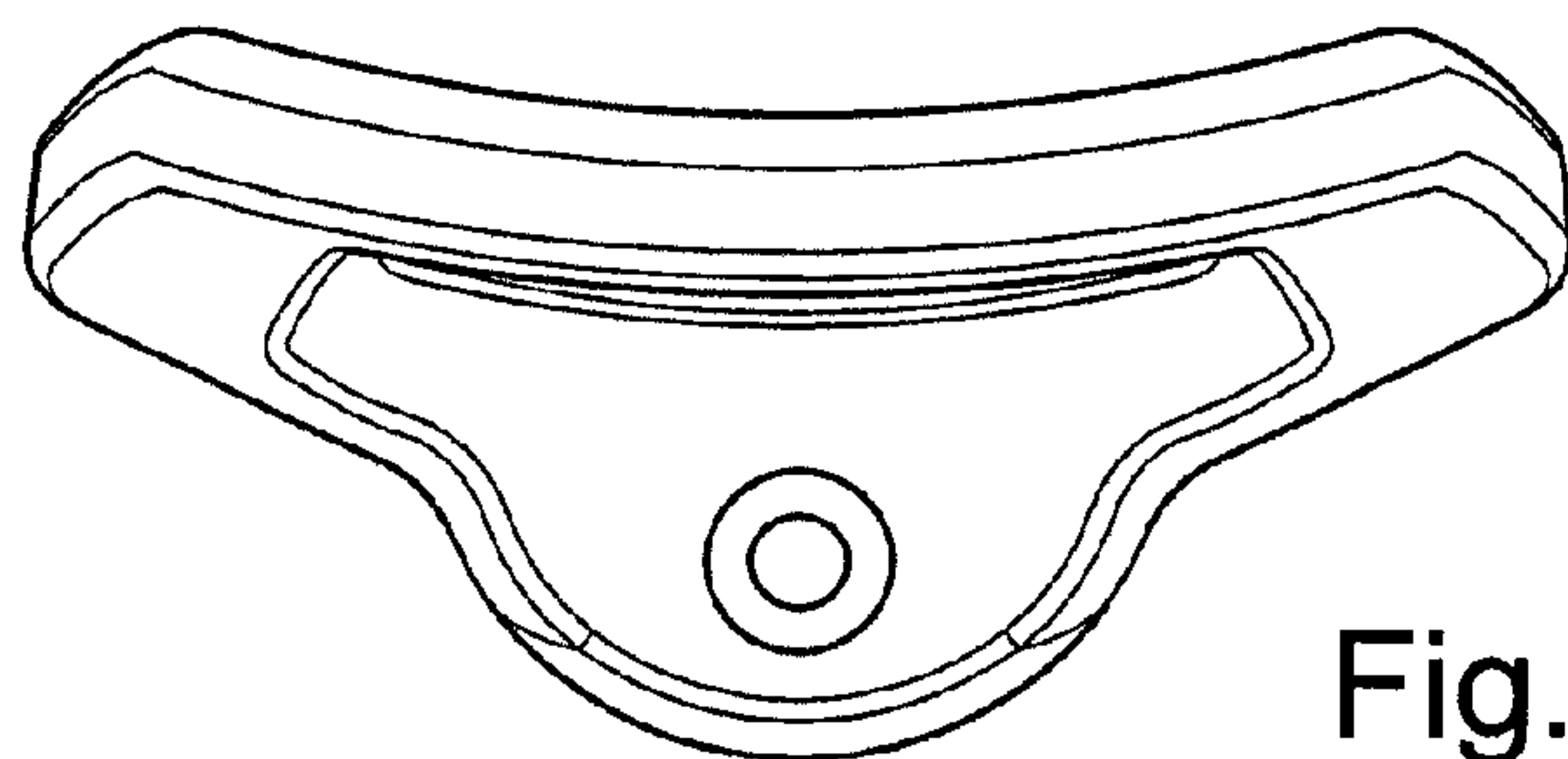


Fig. 3

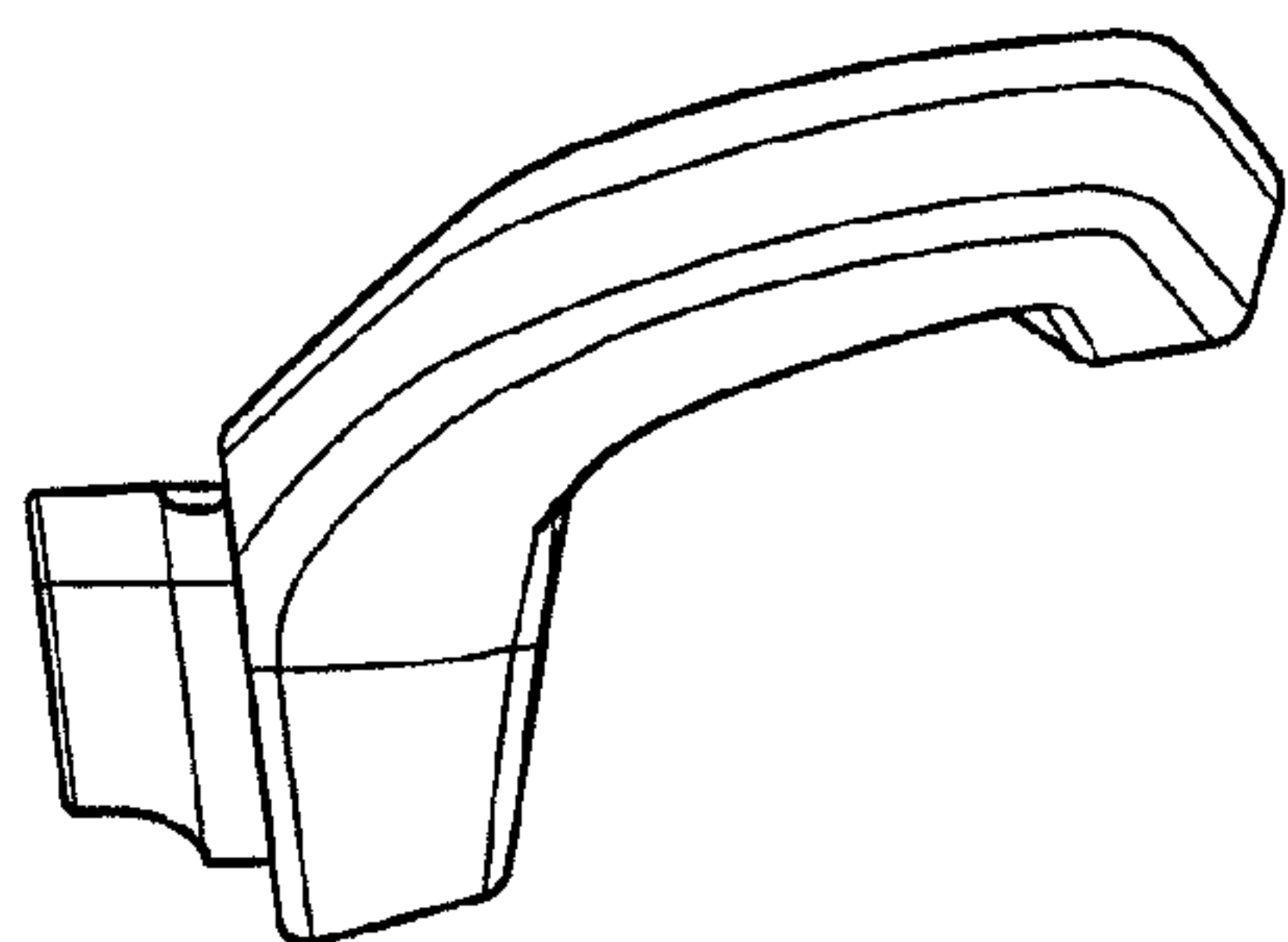


Fig. 4

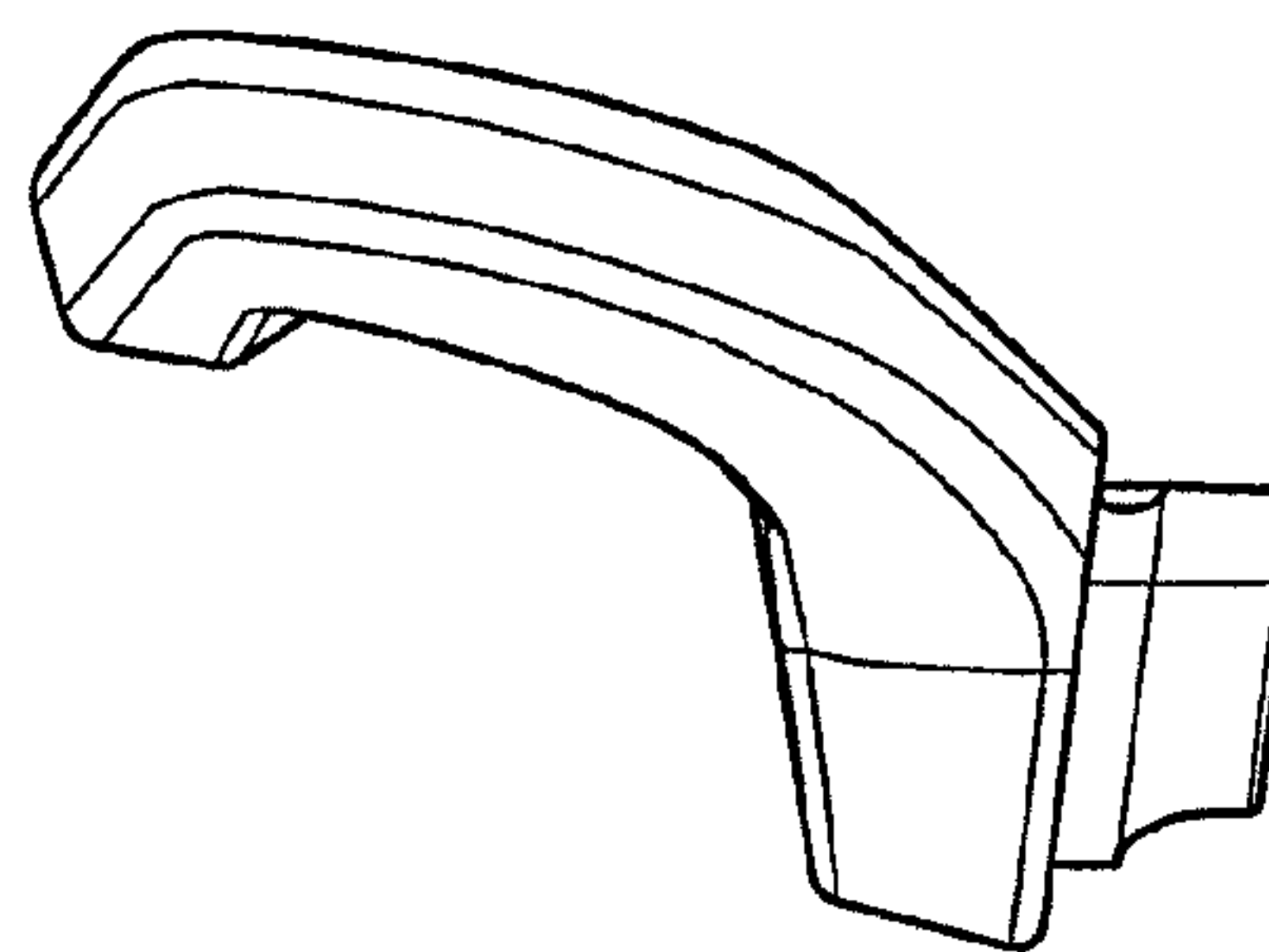


Fig. 5

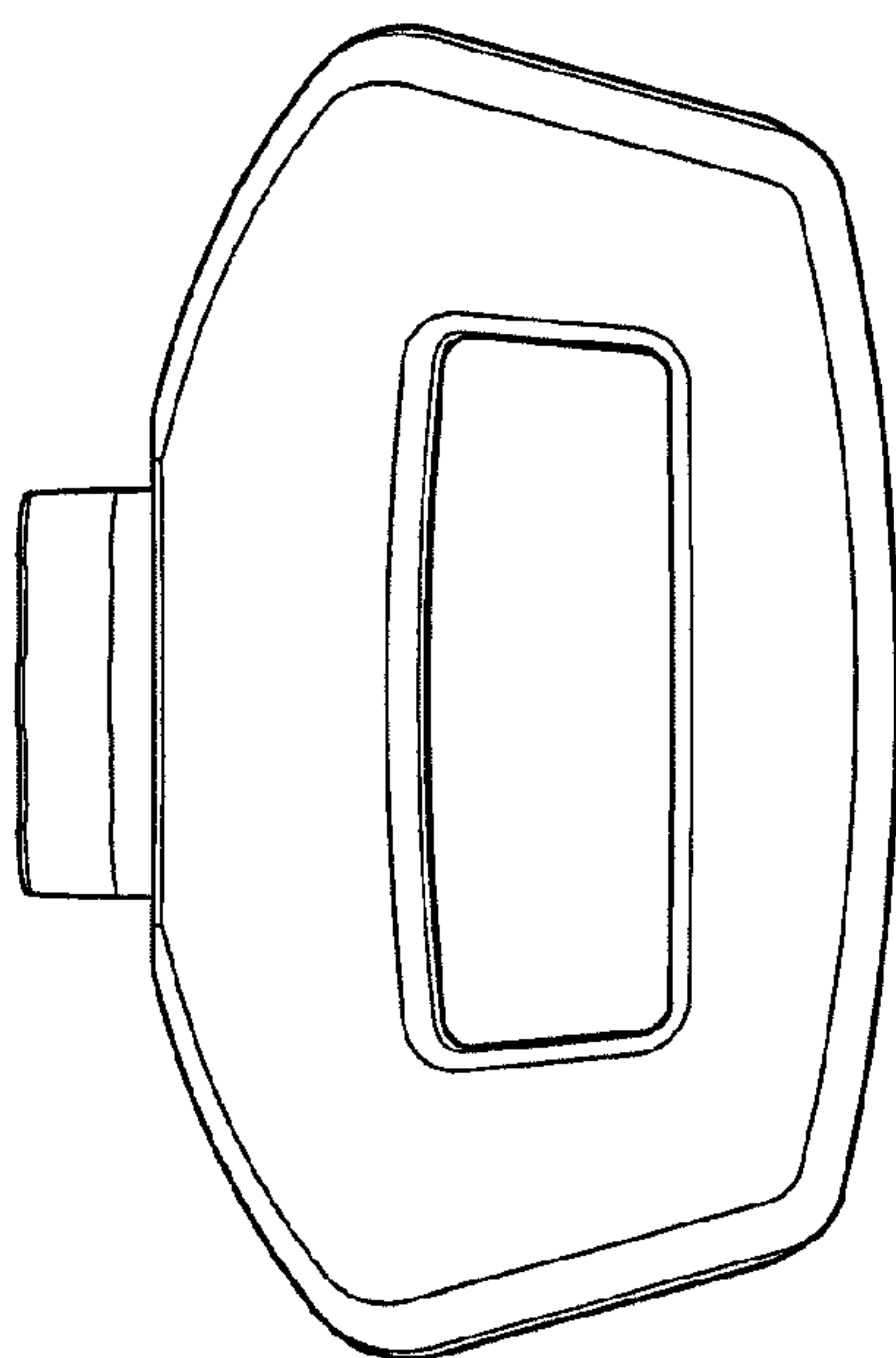


Fig. 6

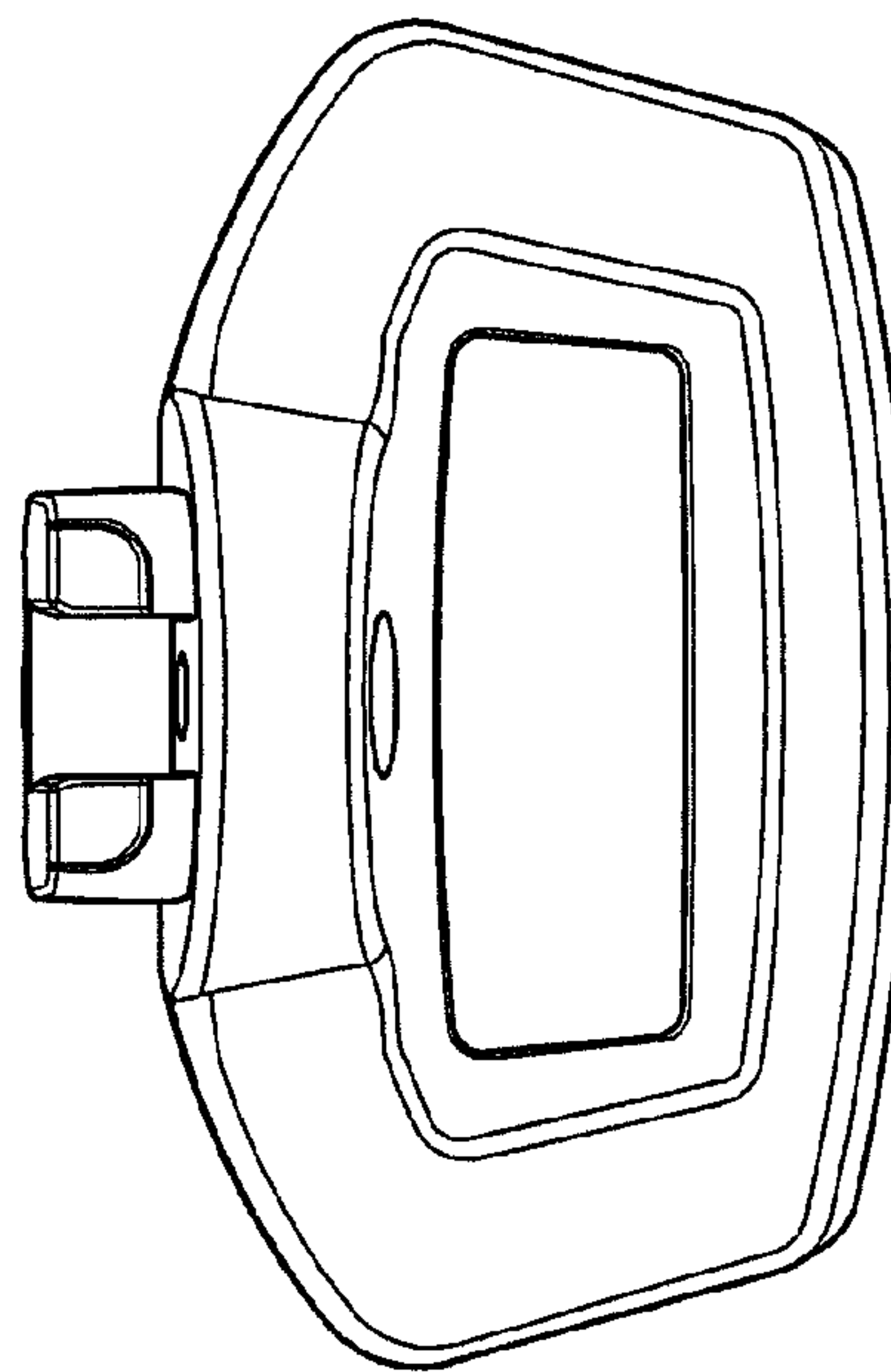


Fig. 7