



US00D680805S

(12) **United States Design Patent**
Rosbach

(10) **Patent No.:** **US D680,805 S**
(45) **Date of Patent:** **** Apr. 30, 2013**

- (54) **WIDE MOUTH FLASK**
- (75) Inventor: **Travis R. Rosbach**, Bend, OR (US)
- (73) Assignee: **Steel Technology, LLC**, Bend, OR (US)
- (**) Term: **14 Years**
- (21) Appl. No.: **29/401,934**
- (22) Filed: **Sep. 17, 2011**
- (51) **LOC (9) Cl.** **07-02**
- (52) **U.S. Cl.**
USPC **D7/392.1**
- (58) **Field of Classification Search** D7/391,
D7/392, 392.1, 393, 396.2, 509-511, 900;
D9/443, 446, 449, 452, 453; 222/480, 507,
222/546, 548, 553, 565; 220/210, 212.5,
220/703, 709, 711, 717, 783, 780, 788, 792,
220/793

See application file for complete search history.

(56) **References Cited**

U.S. PATENT DOCUMENTS

D221,886 S *	9/1971	Gruett	D15/150
D342,449 S *	12/1993	Mattheis	D9/446
D346,801 S *	5/1994	Traina	D14/189
D403,426 S	12/1998	Fiaschetti		
D412,640 S *	8/1999	Much	D7/392
D422,503 S	4/2000	Lehn		
D484,061 S *	12/2003	Quinn	D9/557
D508,185 S	8/2005	Gauss		
D519,380 S	4/2006	Leoncavallo et al.		
D528,910 S *	9/2006	Kingsley	D9/446
D528,921 S	9/2006	Leoncavallo et al.		
D536,929 S *	2/2007	Kingsley	D7/510
D543,454 S	5/2007	Leoncavallo et al.		
D572,078 S *	7/2008	Bhavnani	D7/392.1
D580,227 S	11/2008	Roth et al.		
D586,184 S	2/2009	Miller et al.		
D604,561 S	11/2009	Chisholm		
D614,440 S	4/2010	Cresswell et al.		

D614,918 S	5/2010	Chisholm		
D615,360 S	5/2010	Joy et al.		
D616,743 S	6/2010	Cresswell et al.		
D619,417 S	7/2010	Goto et al.		
D620,798 S	8/2010	Cresswell et al.		
D624,362 S	9/2010	Wahl		
D625,561 S *	10/2010	Ablo	D7/511
D632,524 S	2/2011	Rosbach et al.		
D633,338 S	3/2011	Rosbach et al.		
D644,489 S *	9/2011	Trombly	D7/510
D648,215 S *	11/2011	Rigling et al.	D9/446
D650,629 S *	12/2011	Gilbert	D7/392.1
D651,044 S *	12/2011	Gilbert	D7/510
D654,793 S	2/2012	Rosbach		
2004/0217139 A1	11/2004	Roth et al.		

OTHER PUBLICATIONS

US Patent and Trademark Office, U.S. Appl. No. 13/195,123, filed Aug. 1, 2011, Travis R. Rosbach.
US Patent and Trademark Office, U.S. Appl. No. 29/398,820, filed Aug. 4, 2011, Travis R. Rosbach.

* cited by examiner

Primary Examiner — Susan E Krakower

(74) *Attorney, Agent, or Firm* — Kolisch Hartwell, P.C.

(57) **CLAIM**

The ornamental design for a wide mouth flask, as shown and described.

DESCRIPTION

FIG. 1 is a side view of a wide mouth flask showing my new design;
FIG. 2 is a front view thereof;
FIG. 3 is back view thereof;
FIG. 4 is a top plan view thereof;
FIG. 5 is a bottom plan view thereof; and,
FIG. 6 is a top perspective view thereof.
The broken lines illustrate portions of the wide mouth flask which form no part of the claimed design.

1 Claim, 3 Drawing Sheets

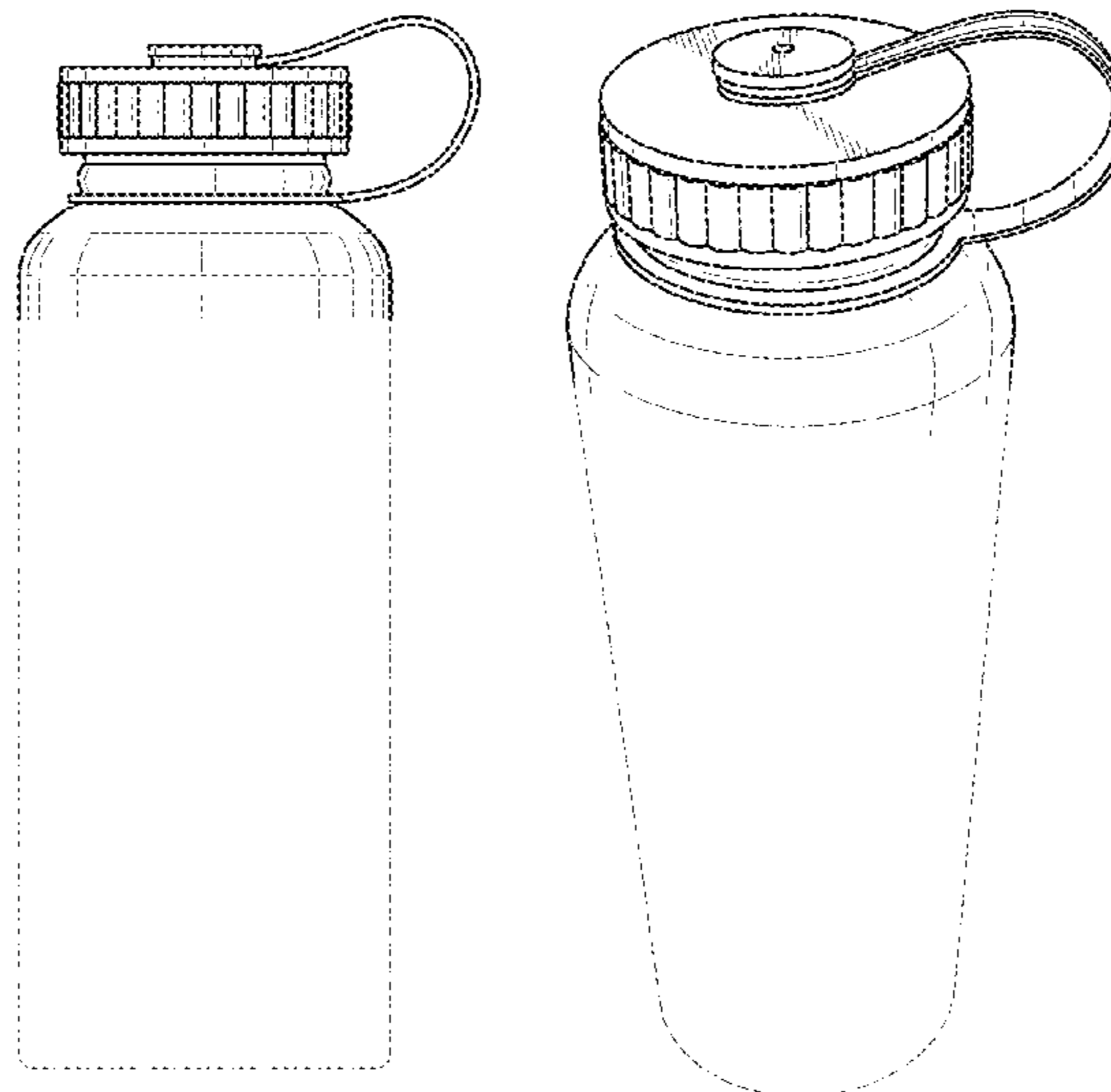


FIG. 1

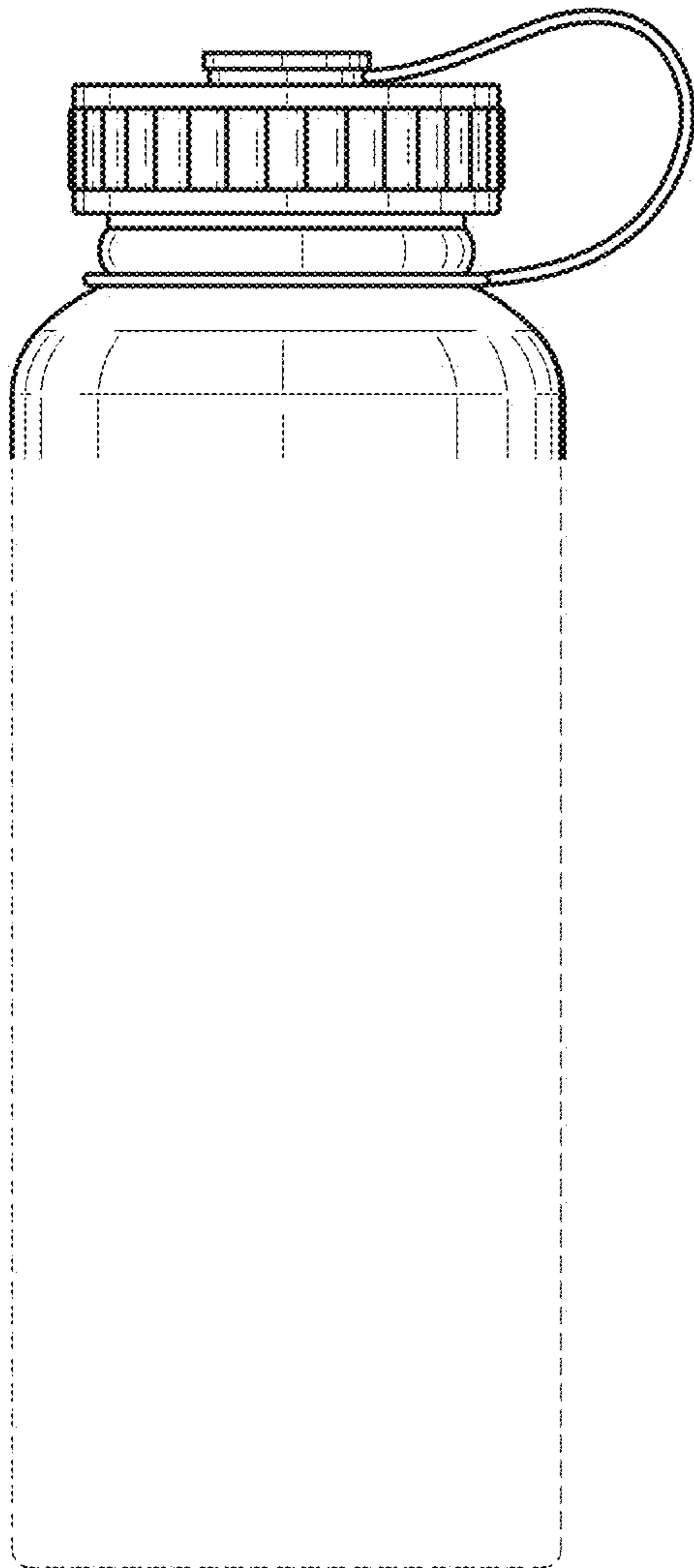


FIG. 2

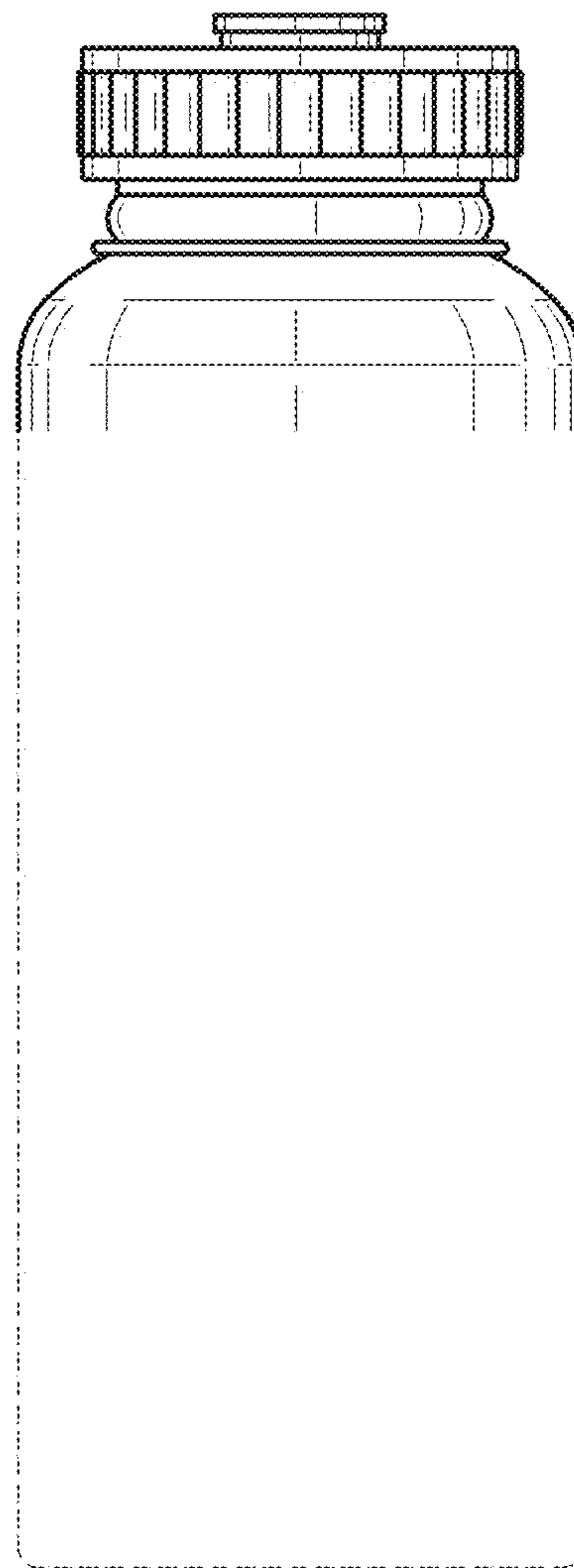


FIG. 3

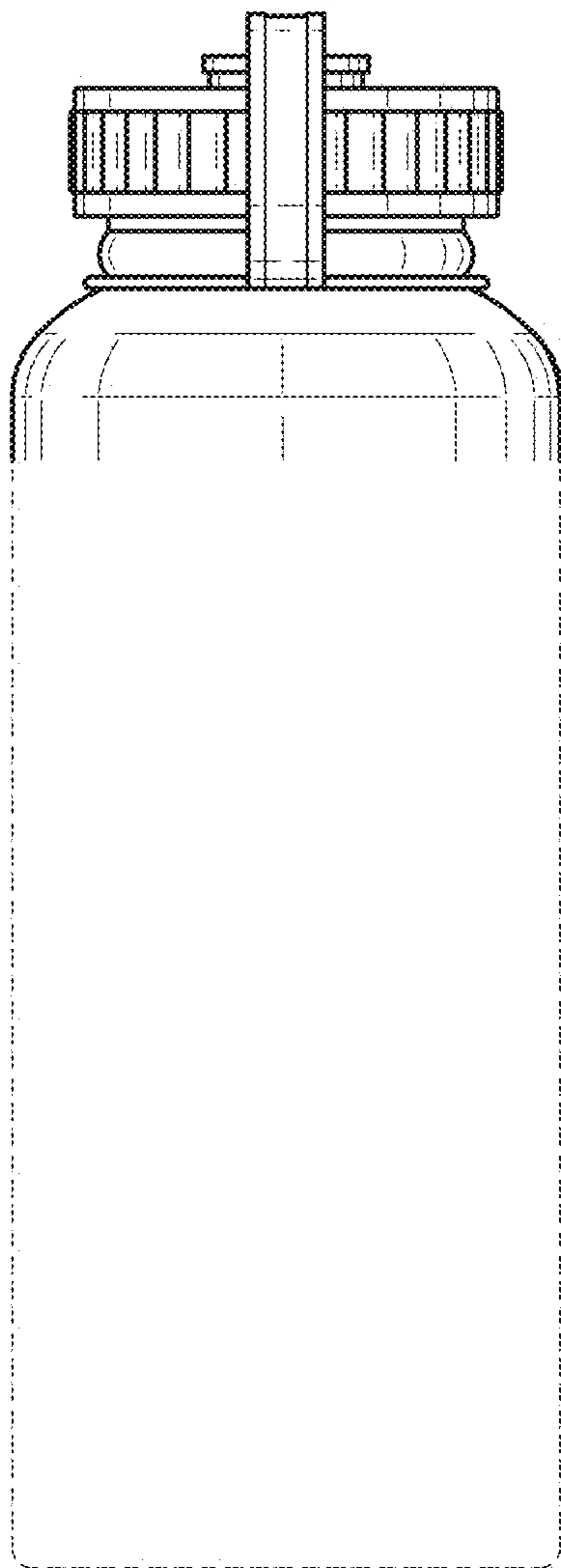


FIG. 4

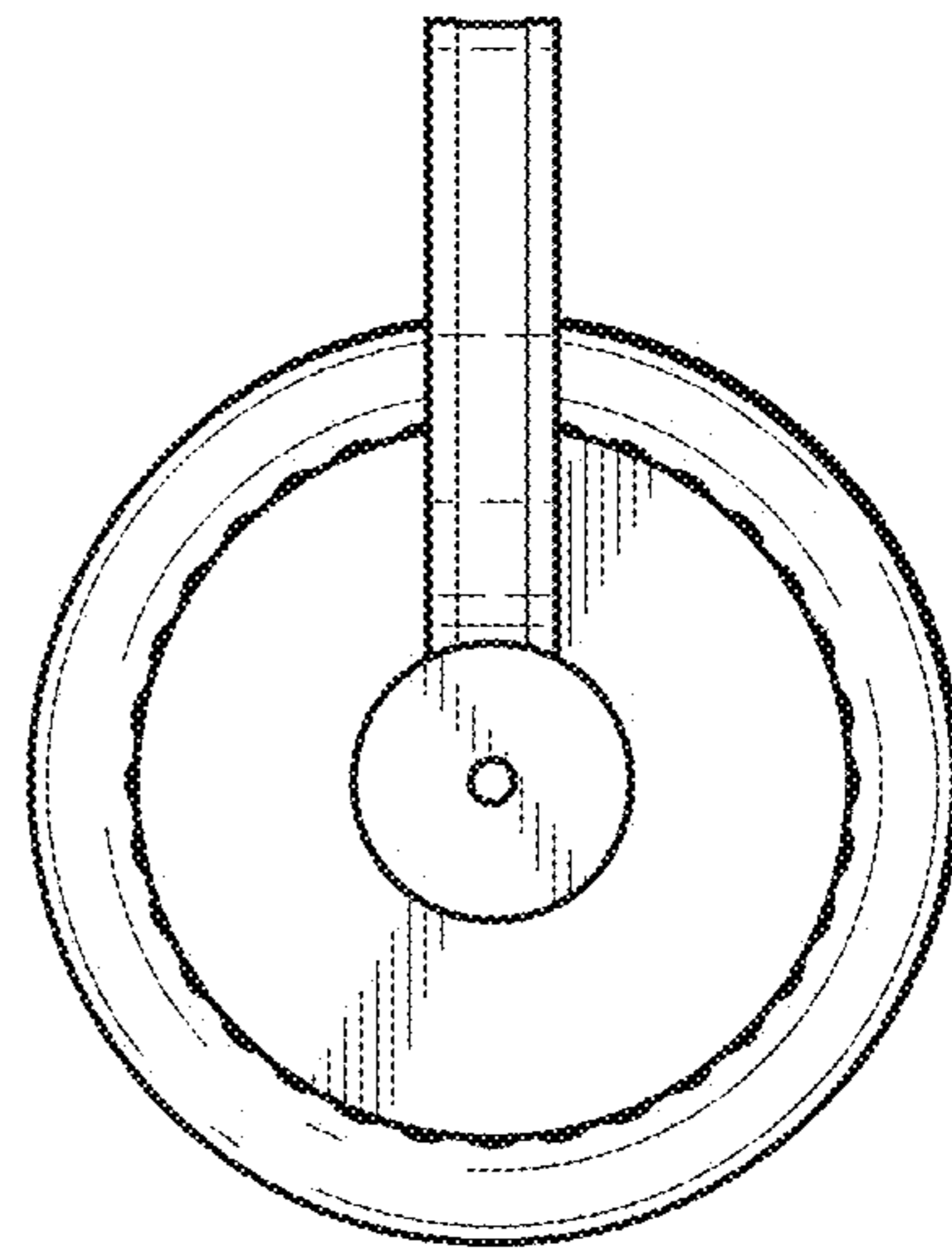


FIG. 5

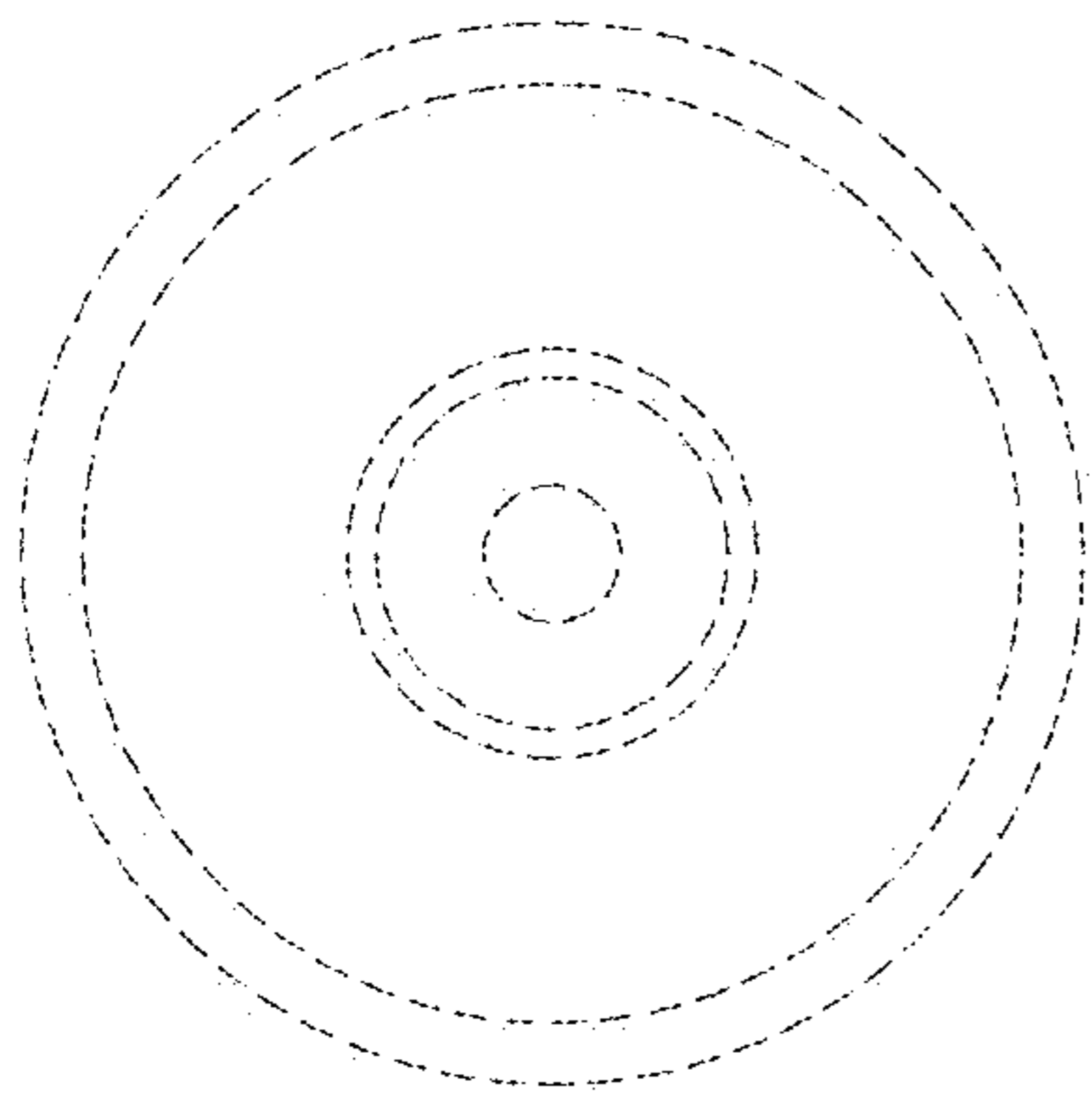


FIG. 6

