



US00D680800S

(12) **United States Design Patent**
Berge

(10) **Patent No.:** **US D680,800 S**
(45) **Date of Patent:** **** Apr. 30, 2013**

(54) **DEEP FRYER**
(75) Inventor: **Michael R. Berge**, Eau Claire, WI (US)
(73) Assignee: **National Presto Industries, Inc.**, Eau Claire, WI (US)
(**) Term: **14 Years**
(21) Appl. No.: **29/429,599**
(22) Filed: **Aug. 14, 2012**
(51) **LOC (9) Cl.** **07-02**
(52) **U.S. Cl.**
USPC **D7/354**
(58) **Field of Classification Search** D7/323,
D7/329-332, 337-339, 346-347, 350.1-350.4,
D7/353-367, 391-395, 402-406, 538-543,
D7/665; 99/324-325, 330-332, 337-343,
99/366-369, 400-418, 422, 425, 444, 483;
126/37 R, 41 R, 261, 369, 378.1; 206/501-505,
206/507-508; 219/387, 400, 405, 429-442,
219/452.11, 620-624, 725, 730-735; 220/314-315,
220/573.1-573.5, 592.16, 912; 426/438,
426/441
See application file for complete search history.

D387,243 S * 12/1997 Bumoux D7/354
D397,579 S * 9/1998 Wu Chang D7/350.1
D414,072 S * 9/1999 Powell D7/354

(Continued)

FOREIGN PATENT DOCUMENTS

CN 200630060898 3/2007

OTHER PUBLICATIONS

Presto® GranPappy® Electric Deep Fryer Advertisement, 1 page,
copyright 2003.

(Continued)

Primary Examiner — Ricky Pham

(74) *Attorney, Agent, or Firm* — Patterson Thunte
Pedersen, P.A.

(57) **CLAIM**

I claim the ornamental design for deep fryer, as shown and
described.

DESCRIPTION

FIG. 1 is a front view of a deep fryer according to an embodi-
ment of the invention.

FIG. 2 is a right side view of the deep fryer depicted in FIG.
1.

FIG. 3 is a rear view of the deep fryer depicted in FIG. 1.

FIG. 4 is a left side view of the deep fryer depicted in FIG. 1.

FIG. 5 is a top view of the deep fryer depicted in FIG. 1.

FIG. 6 is a bottom view of the deep fryer depicted in FIG. 1.

FIG. 7 is a top perspective view of the deep fryer depicted in
FIG. 1; and,

FIG. 8 is a front perspective view of the deep fryer depicted in
FIG. 1 with a cover in an open position.

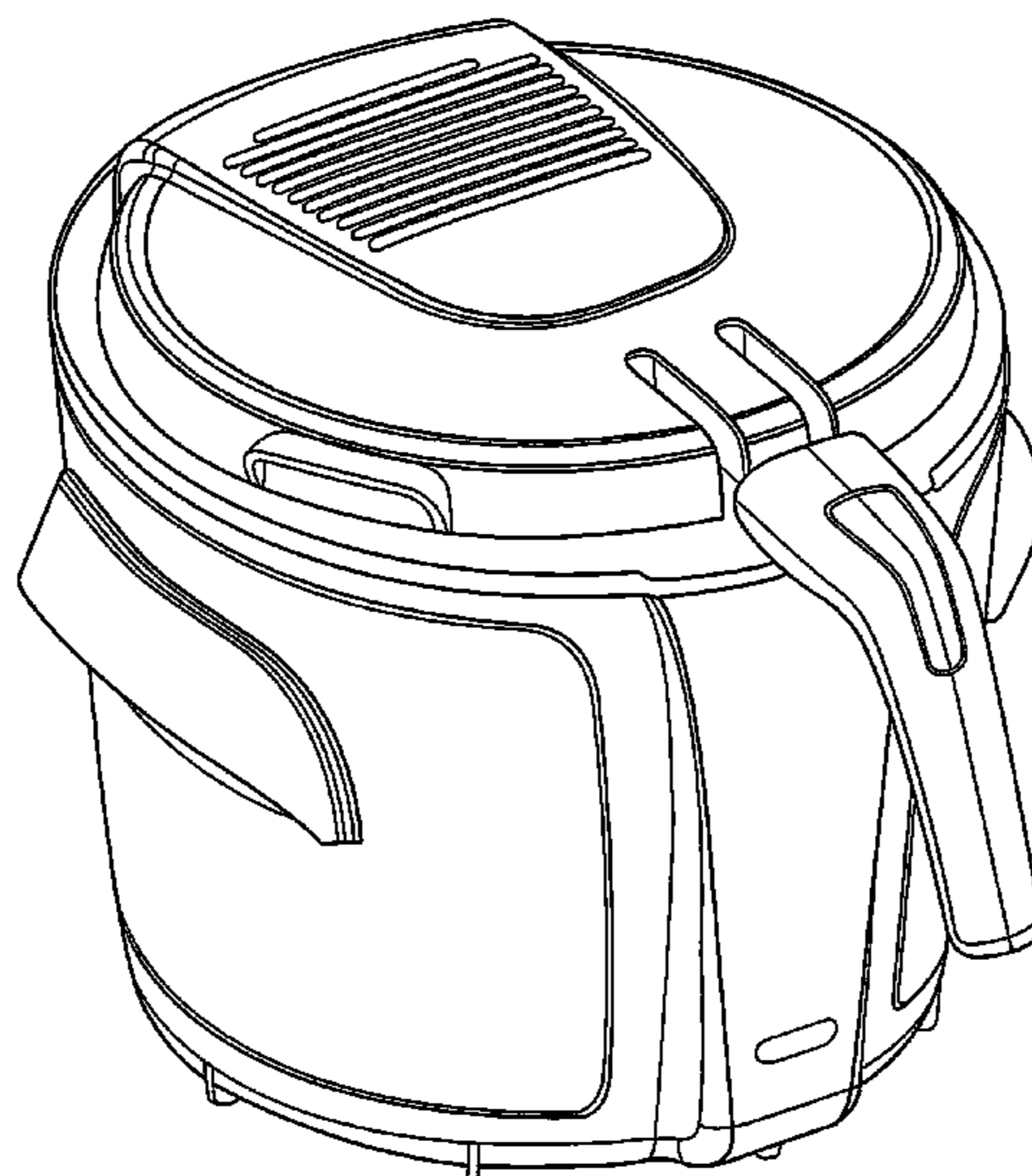
Items shown in broken lines are for illustrative purposes only
and form no part of the claimed invention.

1 Claim, 8 Drawing Sheets

(56) **References Cited**

U.S. PATENT DOCUMENTS

D246,686 S 12/1977 Boldt
D284,257 S 6/1986 Greb et al.
D323,762 S 2/1992 Barrault
D341,056 S 11/1993 Powell
D347,353 S 5/1994 Piret et al.
D369,505 S 5/1996 Philippe
D374,588 S * 10/1996 Federico D7/354
D380,504 S 7/1997 Yang
D382,767 S 8/1997 Lien
D386,646 S 11/1997 Wurth



US D680,800 S

Page 2

U.S. PATENT DOCUMENTS

D416,166	S	11/1999	Hirose et al.	
D418,360	S	1/2000	Kei	
D418,361	S	1/2000	Utsugi	
D419,824	S	2/2000	Sham et al.	
D422,447	S *	4/2000	Josancy	D7/354
D423,277	S *	4/2000	Josancy	D7/354
D424,366	S *	5/2000	Blaise	D7/354
D431,150	S	9/2000	Kalina et al.	
D432,348	S	10/2000	Shaw	
D436,795	S *	1/2001	Martres et al.	D7/354
D444,666	S	7/2001	Kalina et al.	
D444,994	S	7/2001	Kalina et al.	
D446,680	S *	8/2001	Falt et al.	D7/354
D452,795	S *	1/2002	Johnson et al.	D7/354
D458,507	S	6/2002	Meelen	
D463,711	S *	10/2002	Josancy	D7/354
D464,526	S *	10/2002	Brown	D7/354
D465,125	S *	11/2002	Chedal Anglay	D7/354
6,499,390	B1 *	12/2002	Huang	99/331
D473,097	S	4/2003	Brown et al.	
D475,570	S *	6/2003	Josancy	D7/354
D489,935	S	5/2004	Choi	
6,742,444	B1	6/2004	Lai et al.	
6,807,899	B2 *	10/2004	Dirand	99/403
6,823,772	B2	11/2004	Payen et al.	
7,015,429	B2 *	3/2006	Lau et al.	219/441
D525,478	S	7/2006	Averty	
D532,248	S	11/2006	Allende Fritsch	
D533,014	S	12/2006	Choi	
D549,517	S	8/2007	Moran	
D551,897	S *	10/2007	De Pra'	D7/339
D552,921	S	10/2007	Garman et al.	
D557,552	S *	12/2007	Matras	D7/354
D568,092	S	5/2008	Boes et al.	
D581,206	S	11/2008	Roussard	
D585,238	S	1/2009	Tseng	

D588,398	S	3/2009	Pan	
D588,860	S	3/2009	Tienor et al.	
D592,008	S *	5/2009	Reiner	D7/354
D598,700	S	8/2009	Seymour	
D600,066	S	9/2009	Seymour	
D609,962	S	2/2010	Fiorotto	
D610,392	S	2/2010	Fiorotto	
D610,866	S *	3/2010	Fiorotto	D7/354
D611,757	S *	3/2010	Reiner	D7/354
D611,758	S	3/2010	Seymour	
D668,908	S *	10/2012	De' Longhi	D7/354
D672,600	S *	12/2012	Berge	D7/354
D674,651	S *	1/2013	Berge	D7/354
2004/0154474	A1 *	8/2004	Chan	99/407

OTHER PUBLICATIONS

Presto® FryDaddy® Electric Deep Fryer Advertisement, 1 page, copyright 2007.

Presto® FryDaddy® Plus Electric Deep Fryer Advertisement, 1 page, copyright 1990.

Presto® FryBaby® Electric Deep Fryer Advertisement, copyright 1984.

Presto® DualDaddy™ Electric Deep Fryer computer printout, <http://www.gopresto.com/products/products.php?stock=05450>, printed Feb. 26, 2009, 1 page, copyright 2008.

Presto® Stainless Steel Electric Deep Fryer Instruction Manual, 5 pages, copyright 2009.

Presto® CoolDaddy® Cool-Touch Deep Fryer Instruction Manual, 10 pages, copyright 2011.

Presto® Stainless Steel ProFry™ Immersion Element Deep Fryer/Steamer Instruction Manual, 12 pages, copyright 2011.

Presto® Stainless Steel Dual Basket ProFry™ immersion element deep fryer Advertisement, 1 page, copyright 2011.

* cited by examiner

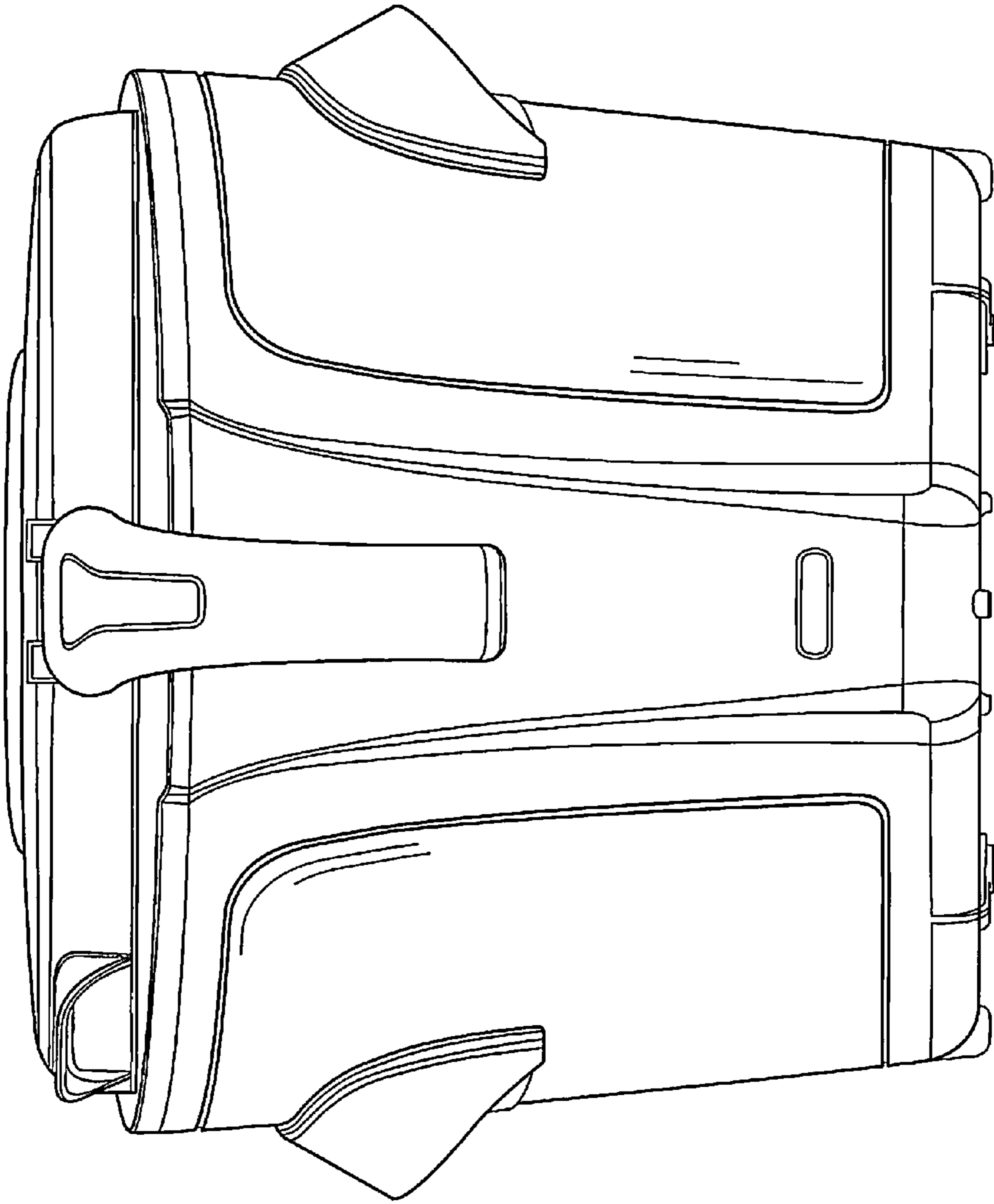


FIG. 1

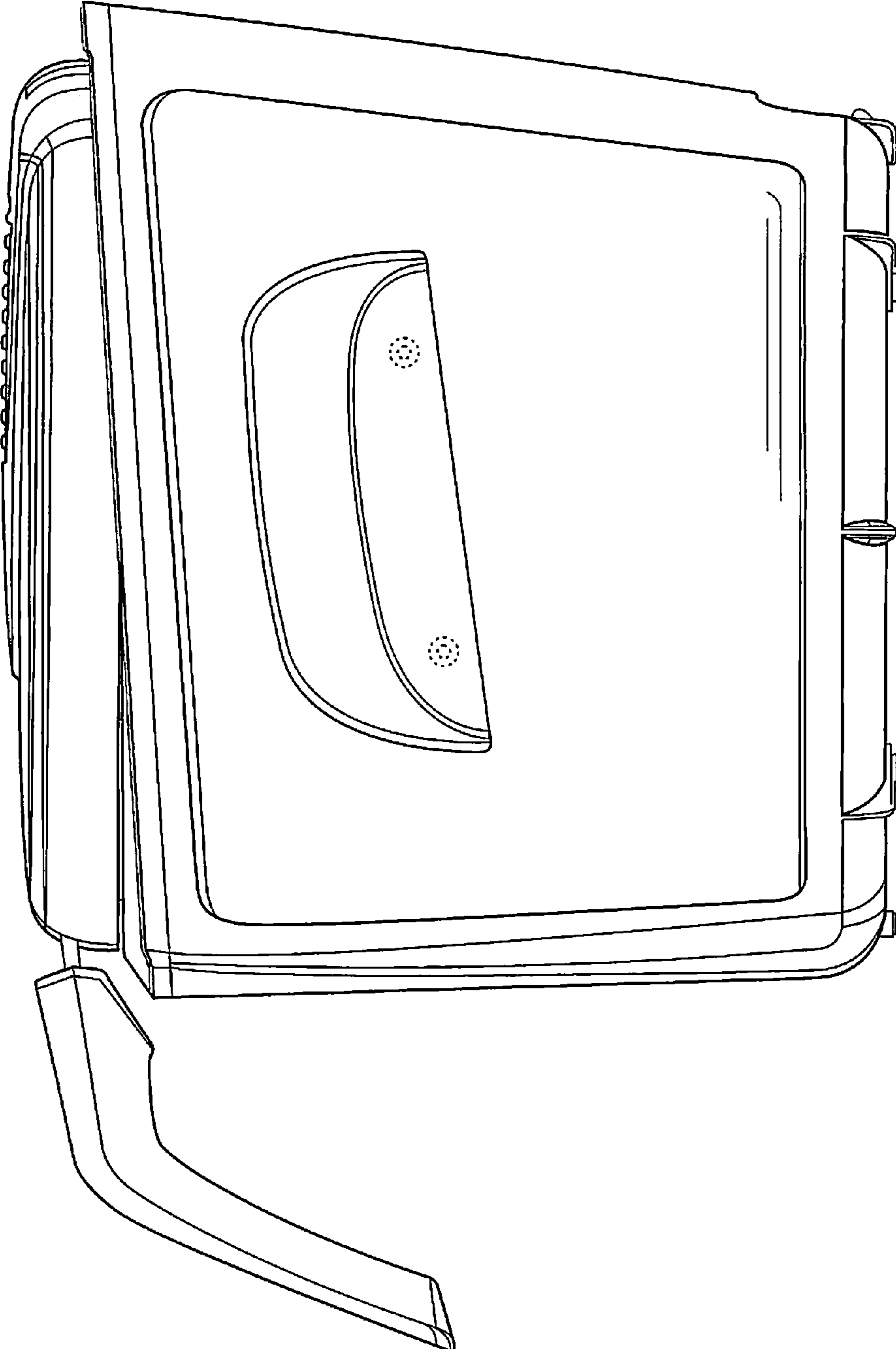


FIG. 2

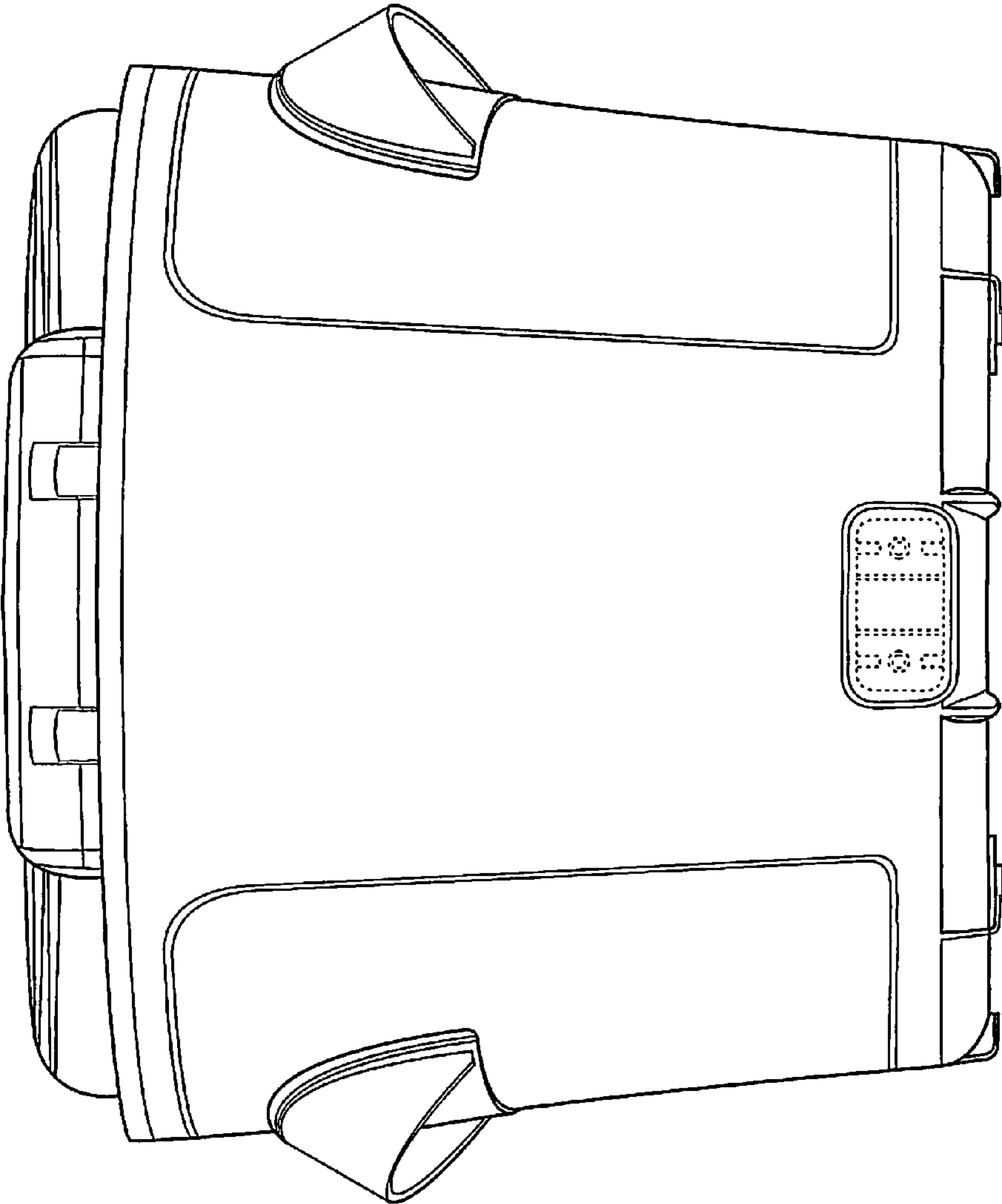


FIG. 3

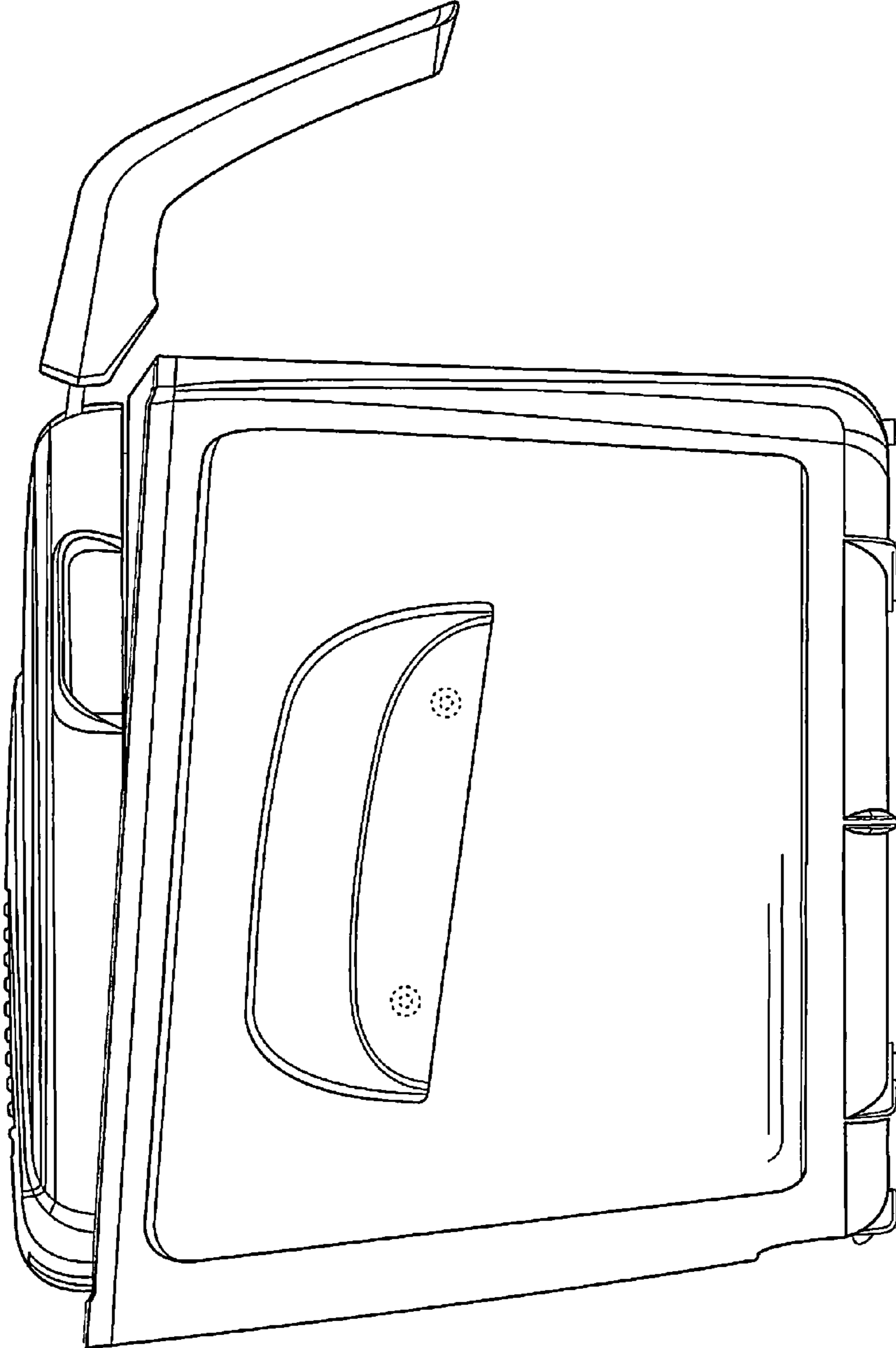


FIG. 4

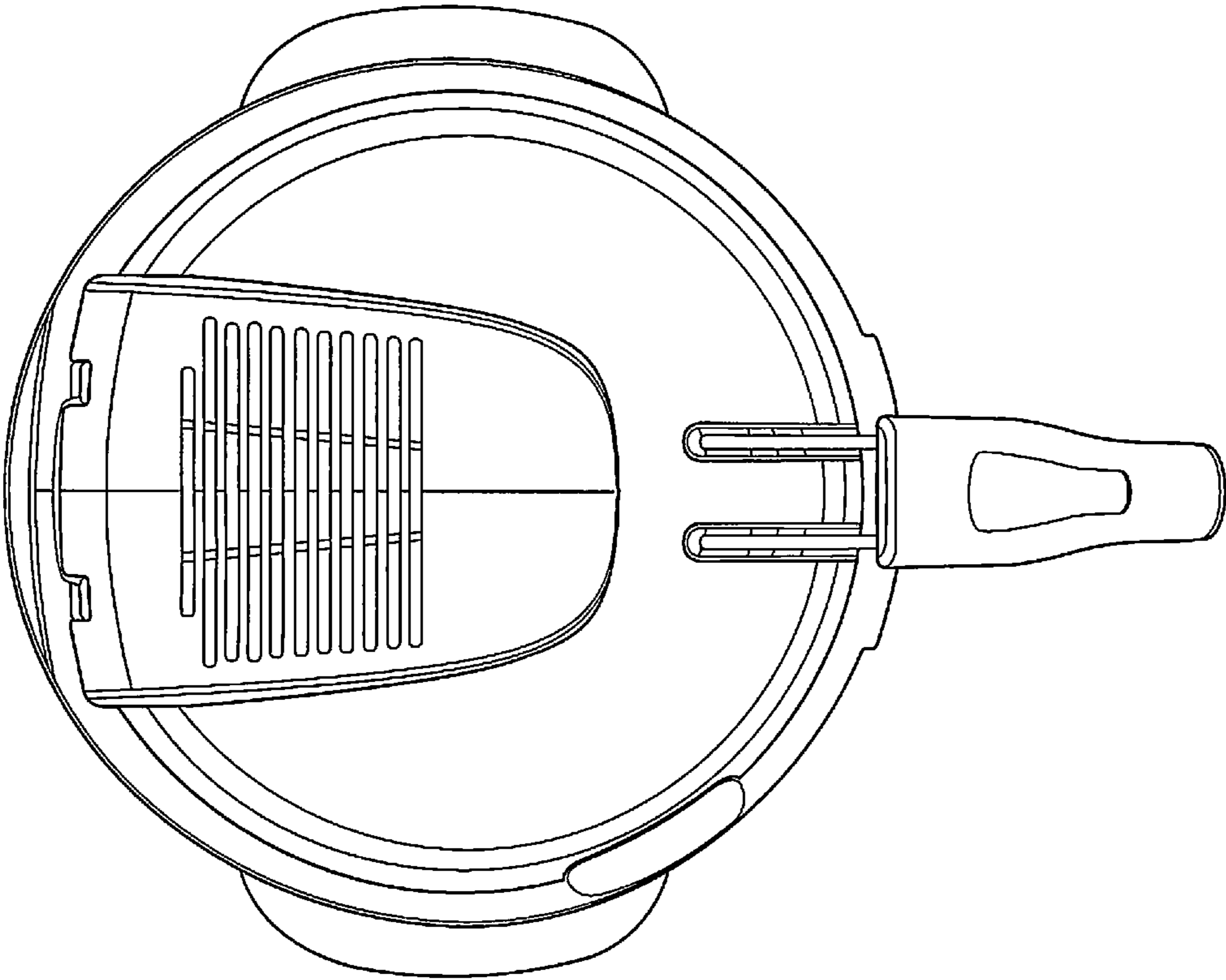


FIG. 5

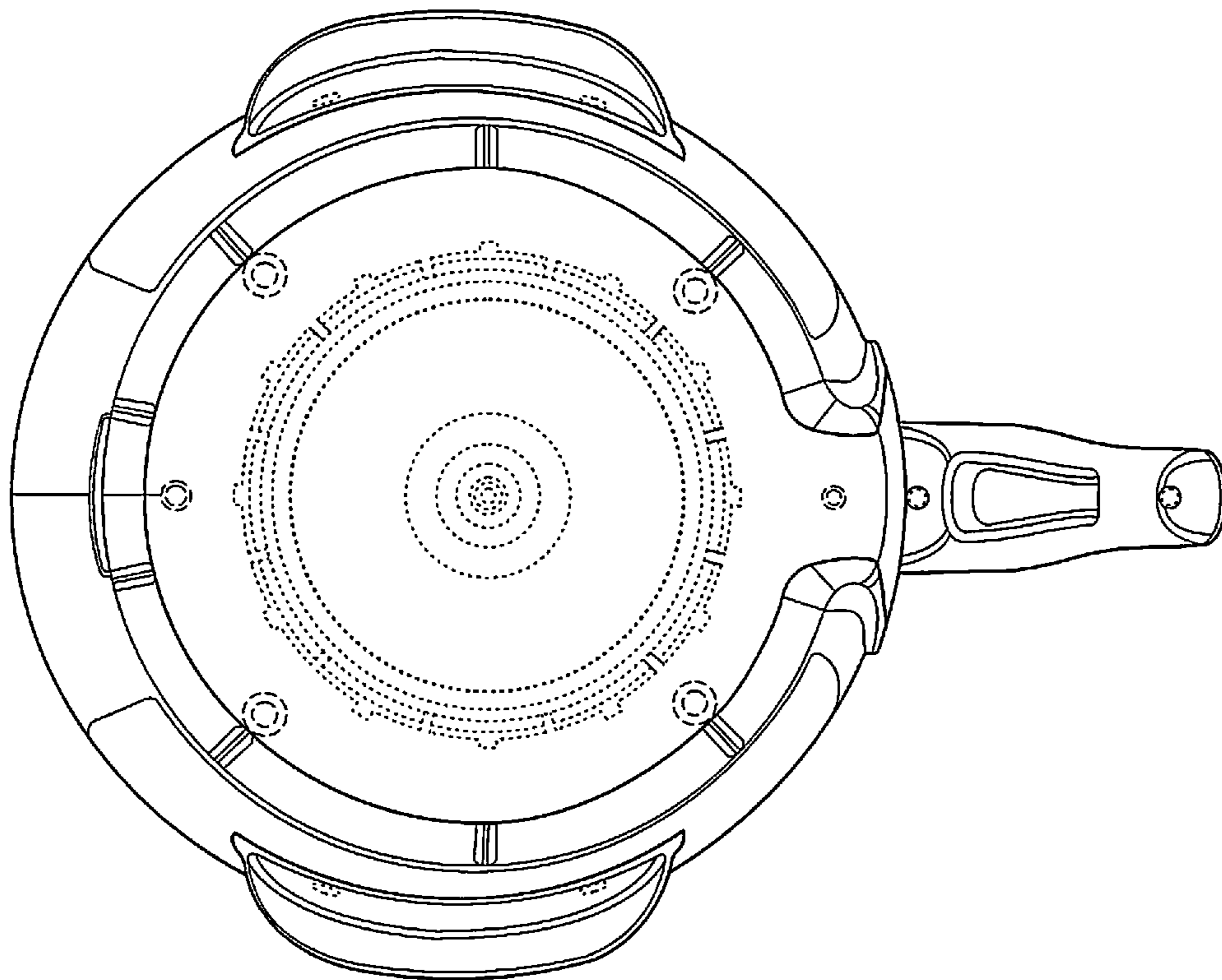


FIG. 6

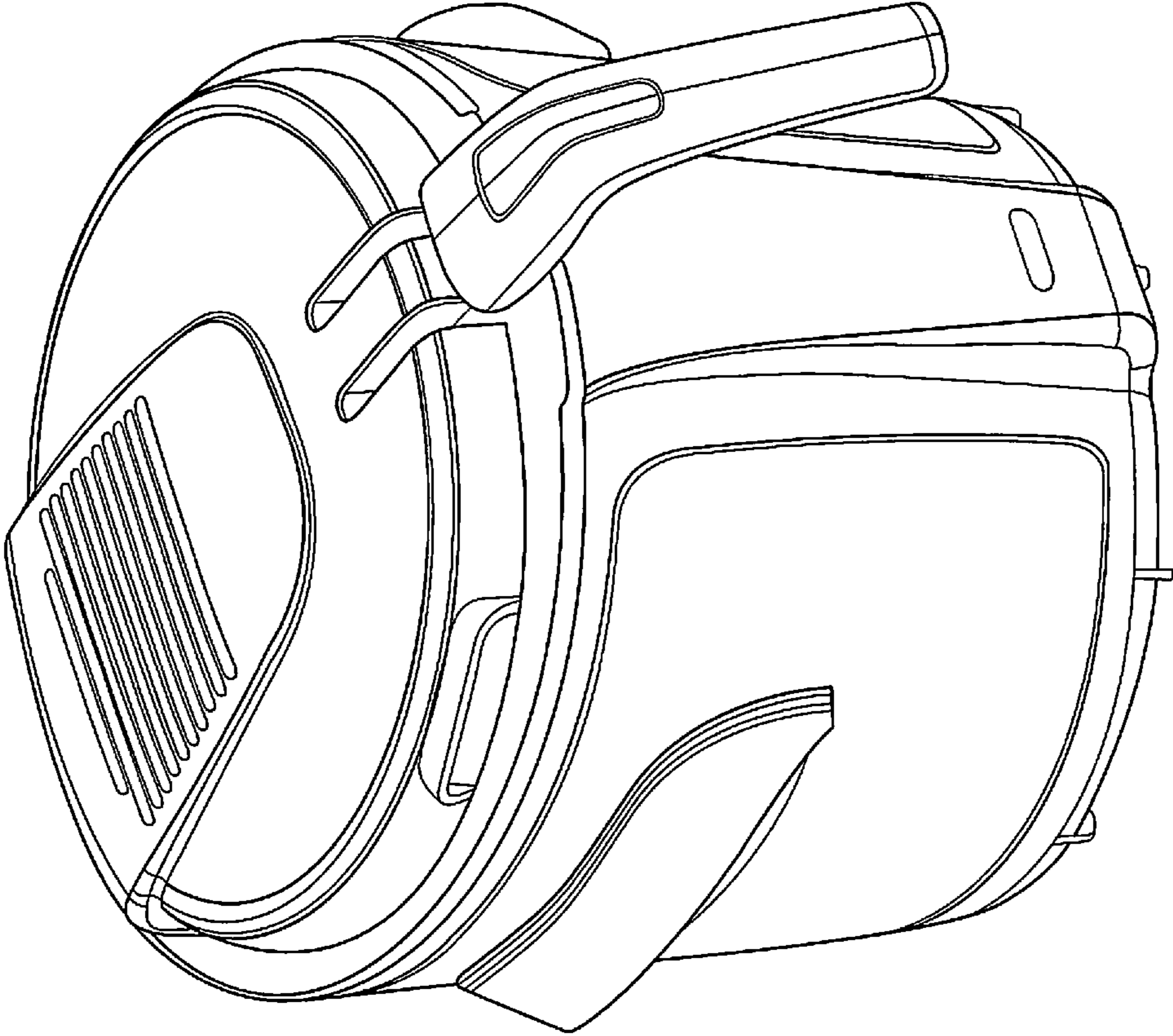


FIG. 7

FIG. 8

