



US00D680799S

(12) **United States Design Patent**
Chung

(10) **Patent No.:** **US D680,799 S**

(45) **Date of Patent:** **** *Apr. 30, 2013**

(54) **GAS STOVE**

(76) Inventor: **Kiosky Chung**, Taichung (TW)

(*) Notice: This patent is subject to a terminal disclaimer.

(**) Term: **14 Years**

(21) Appl. No.: **29/406,707**

(22) Filed: **Nov. 17, 2011**

(51) **LOC (9) Cl.** **07-02**

(52) **U.S. Cl.**
USPC **D7/337**

(58) **Field of Classification Search** D7/332,
D7/334, 337, 402-404, 408-409, 362-363,
D7/365, 367, 354-355, 359; 126/27, 44,
126/25 R, 41 R, 9 R, 40, 50, 38, 39 H, 39 N,
126/39 K, 39 M, 39 R; 99/425, 444-44,
99/450; 431/247, 207, 264

See application file for complete search history.

(56) **References Cited**

U.S. PATENT DOCUMENTS

D133,053	S	*	7/1942	Robinson	D7/337
2,354,221	A	*	7/1944	Robinson	126/38
D201,234	S	*	5/1965	Busse	D7/337
3,933,146	A	*	1/1976	Hastings	126/38
D244,985	S	*	7/1977	Folke	D7/337
D246,151	S	*	10/1977	Chan	D7/337
D249,113	S	*	8/1978	Folke	D7/337
4,105,013	A	*	8/1978	Vache	126/38
D249,448	S	*	9/1978	Vache	D7/337
4,177,790	A	*	12/1979	Zenzaburo	126/38

5,803,727	A	*	9/1998	Long	431/247
D416,750	S	*	11/1999	Persson	D7/337
D424,364	S	*	5/2000	Persson	D7/337
6,173,709	B1	*	1/2001	Yokoyama	126/40
6,213,760	B1	*	4/2001	Yokoyama	431/247
D446,991	S	*	8/2001	Taniguchi et al.	D7/337
6,321,742	B1	*	11/2001	Schmidt et al.	126/38
D478,771	S	*	8/2003	Wu	D7/337
D502,840	S	*	3/2005	Schulte et al.	D7/337
D610,390	S	*	2/2010	Nishijima	D7/332
D627,591	S	*	11/2010	Wade	D7/337
2007/0006868	A1	*	1/2007	Svedlund	126/39 N
2007/0034198	A1	*	2/2007	Arad	126/9 R
2007/0087297	A1	*	4/2007	Long	431/247

* cited by examiner

Primary Examiner — Ruth McInroy

(57) **CLAIM**

I claim the ornamental design for a gas stove, as shown and described.

DESCRIPTION

FIG. 1 is a perspective view of a gas stove, showing my new design;

FIG. 2 is a front elevational view thereof;

FIG. 3 is a rear elevational view thereof;

FIG. 4 is a left side elevational view thereof;

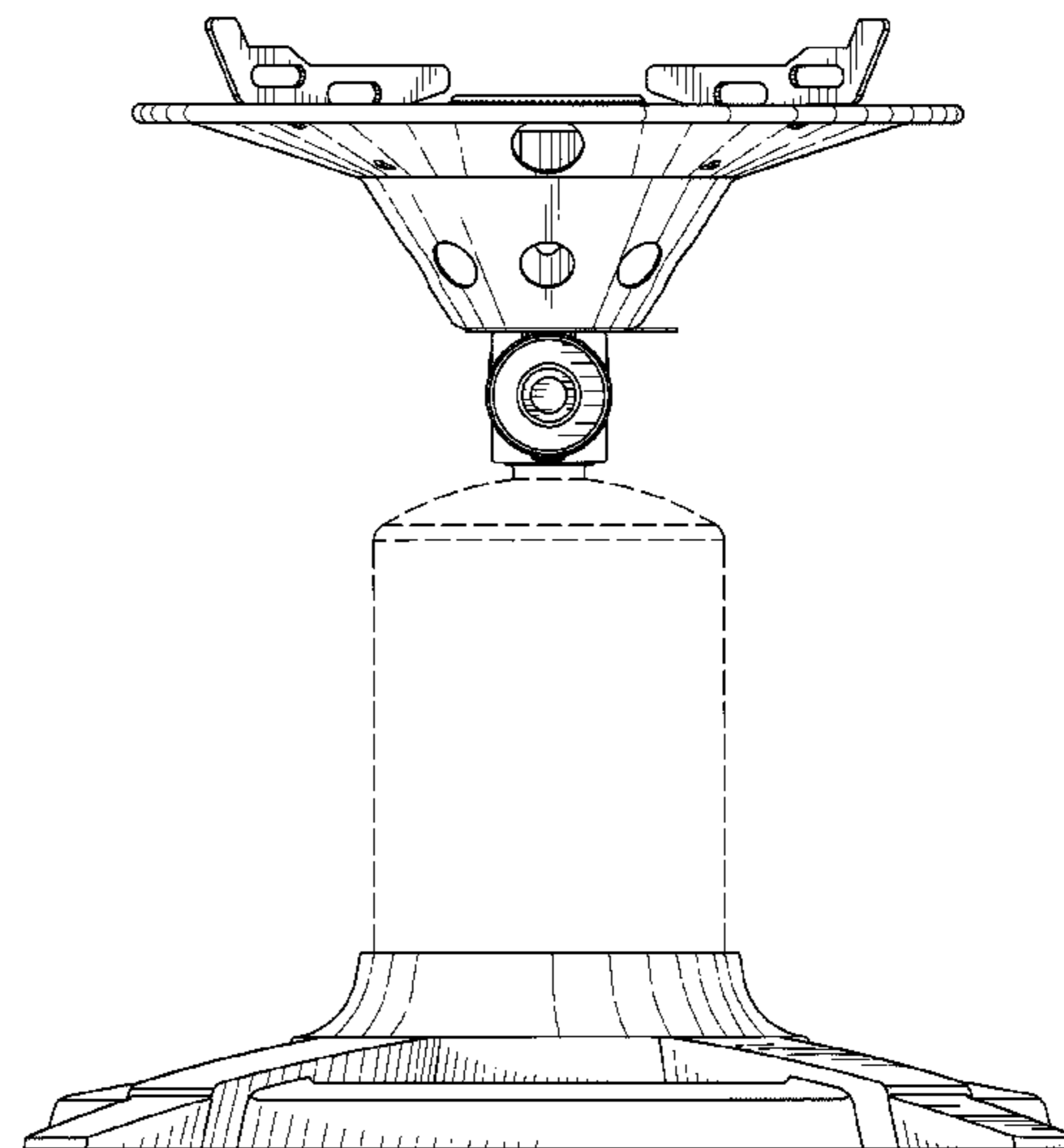
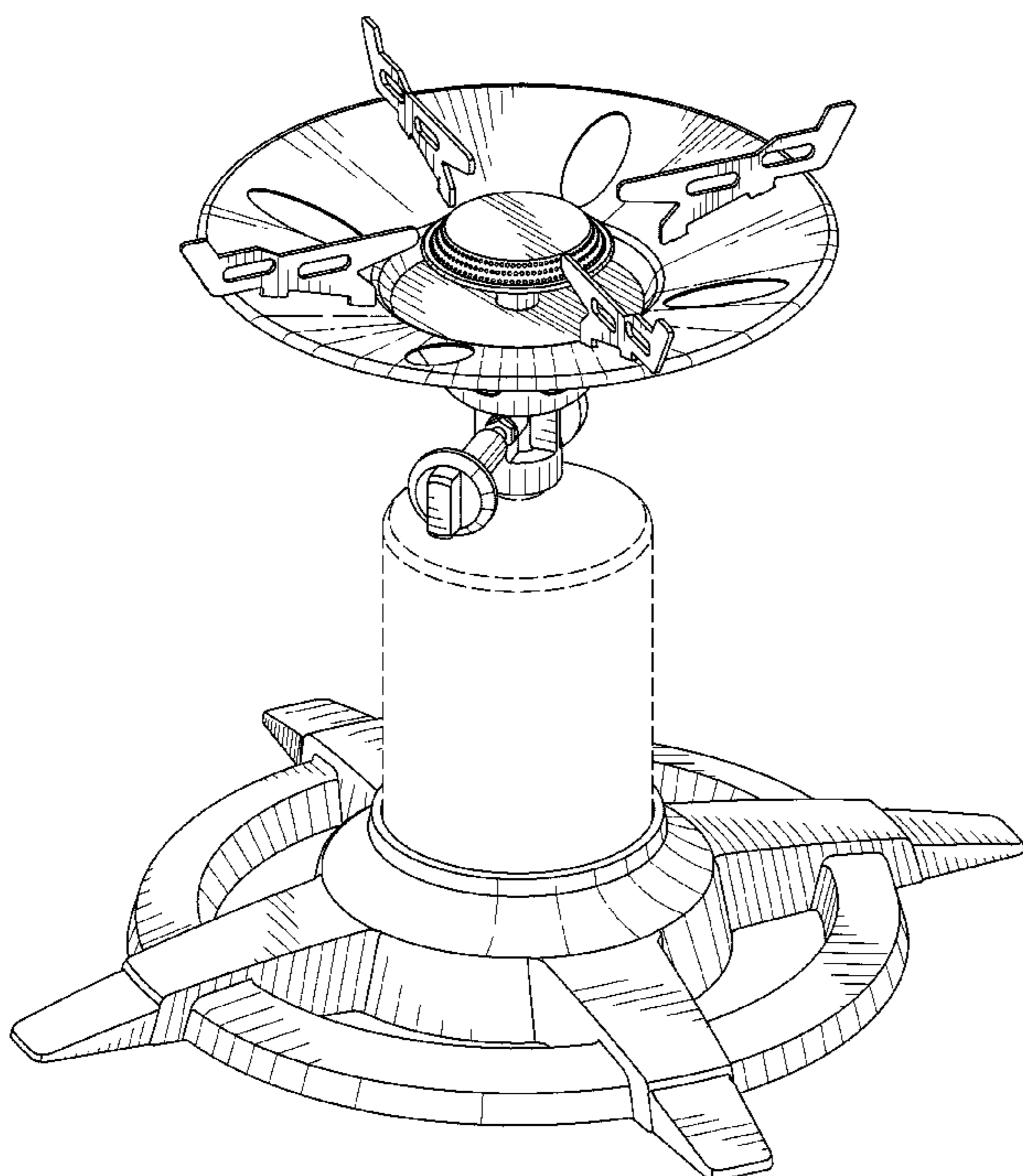
FIG. 5 is a right side elevational view thereof;

FIG. 6 is a top plan view thereof; and,

FIG. 7 is a bottom plan view thereof.

The broken lines shown in the drawings are for the purpose of illustrating unclaimed portions of the gas stove and form no part of the claimed design.

1 Claim, 7 Drawing Sheets



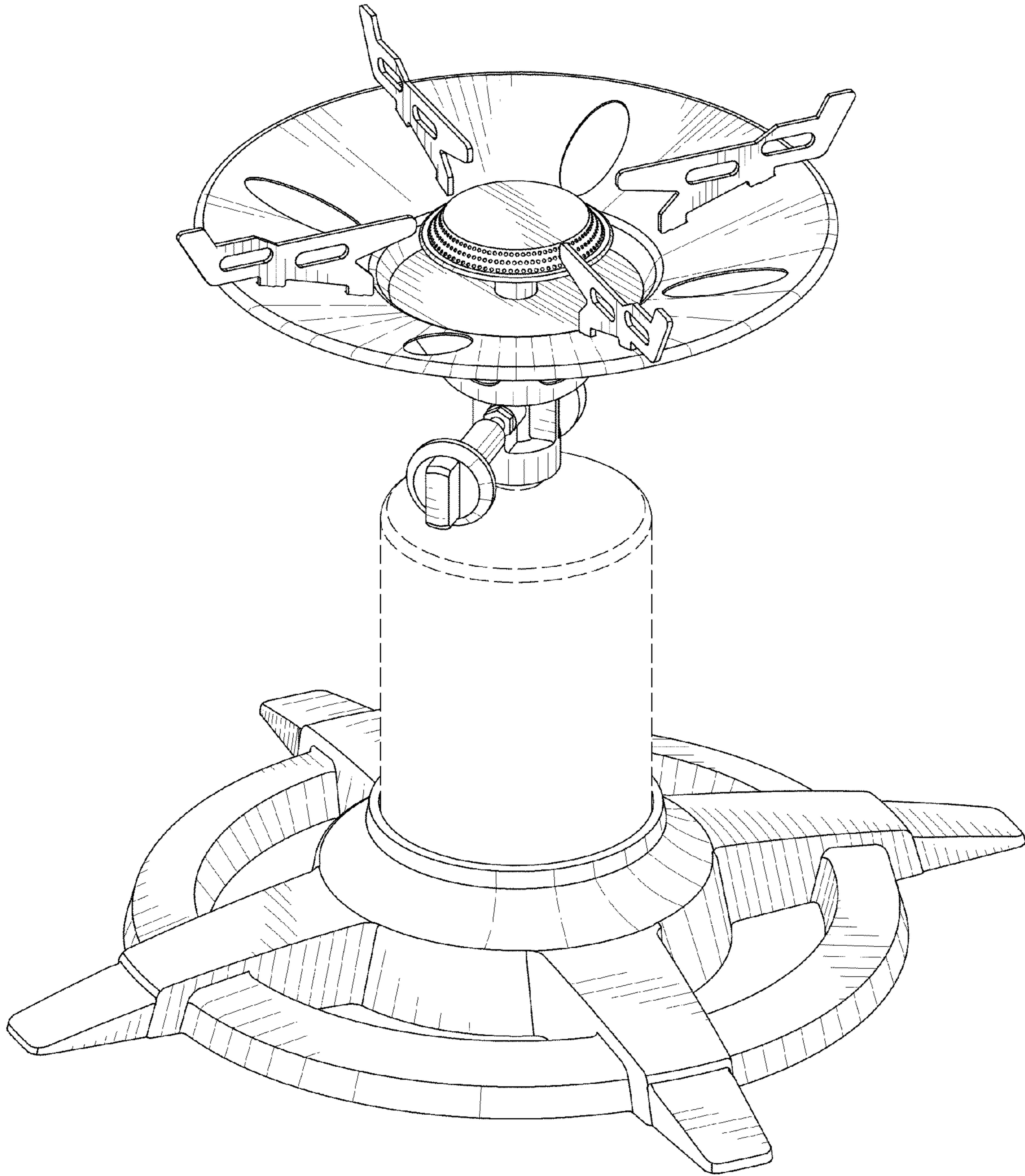


FIG. 1

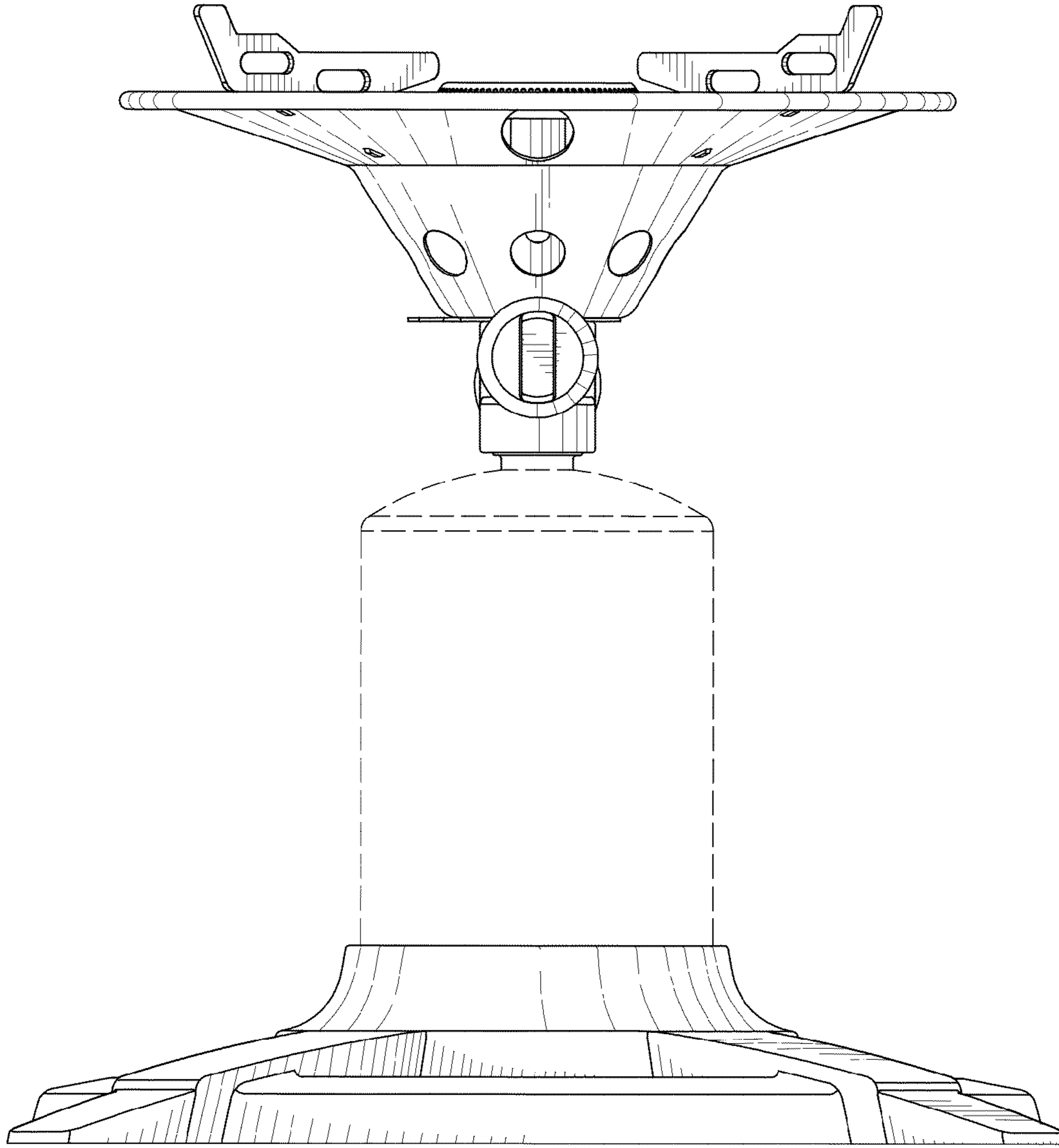


FIG. 2

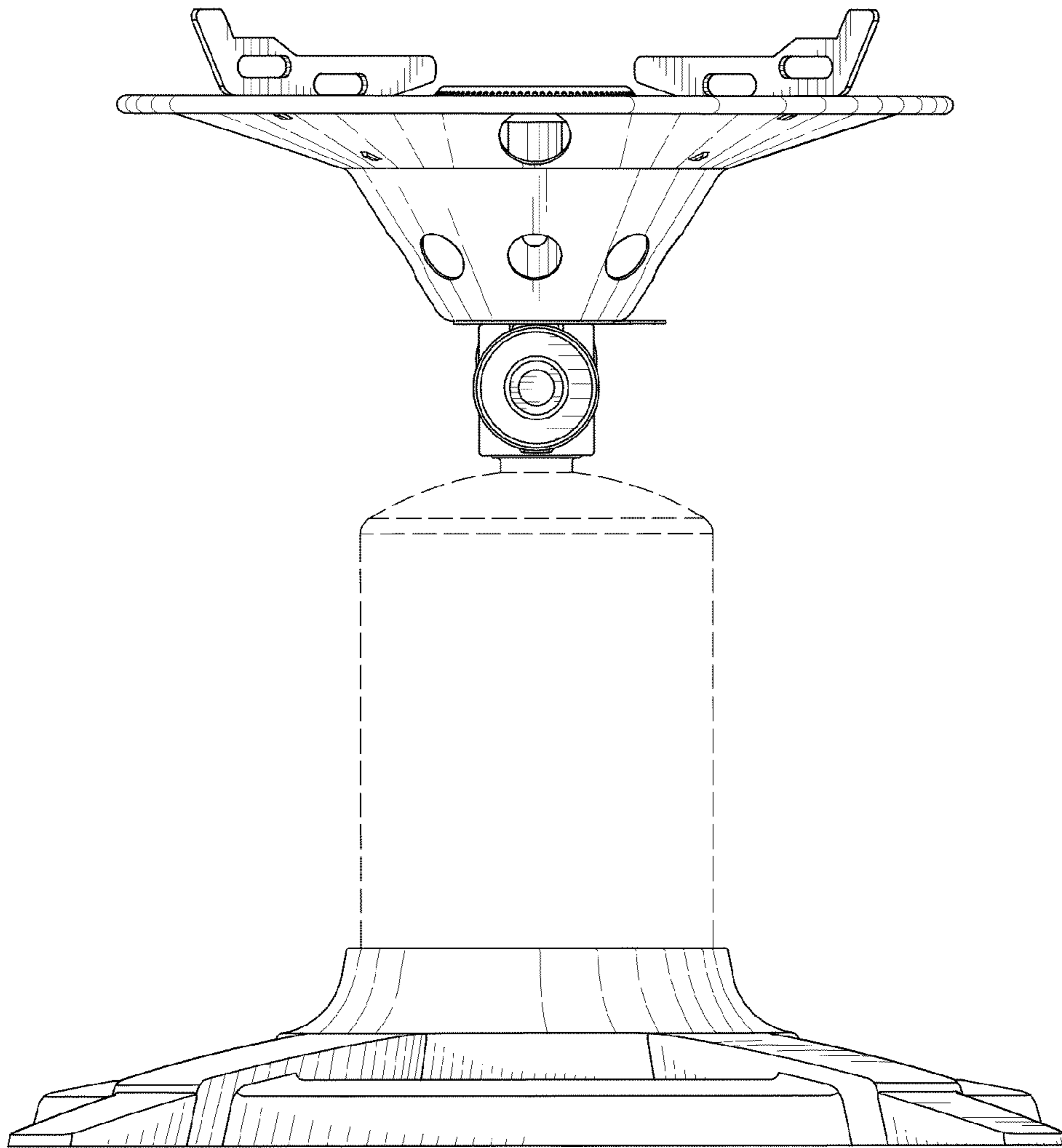


FIG. 3

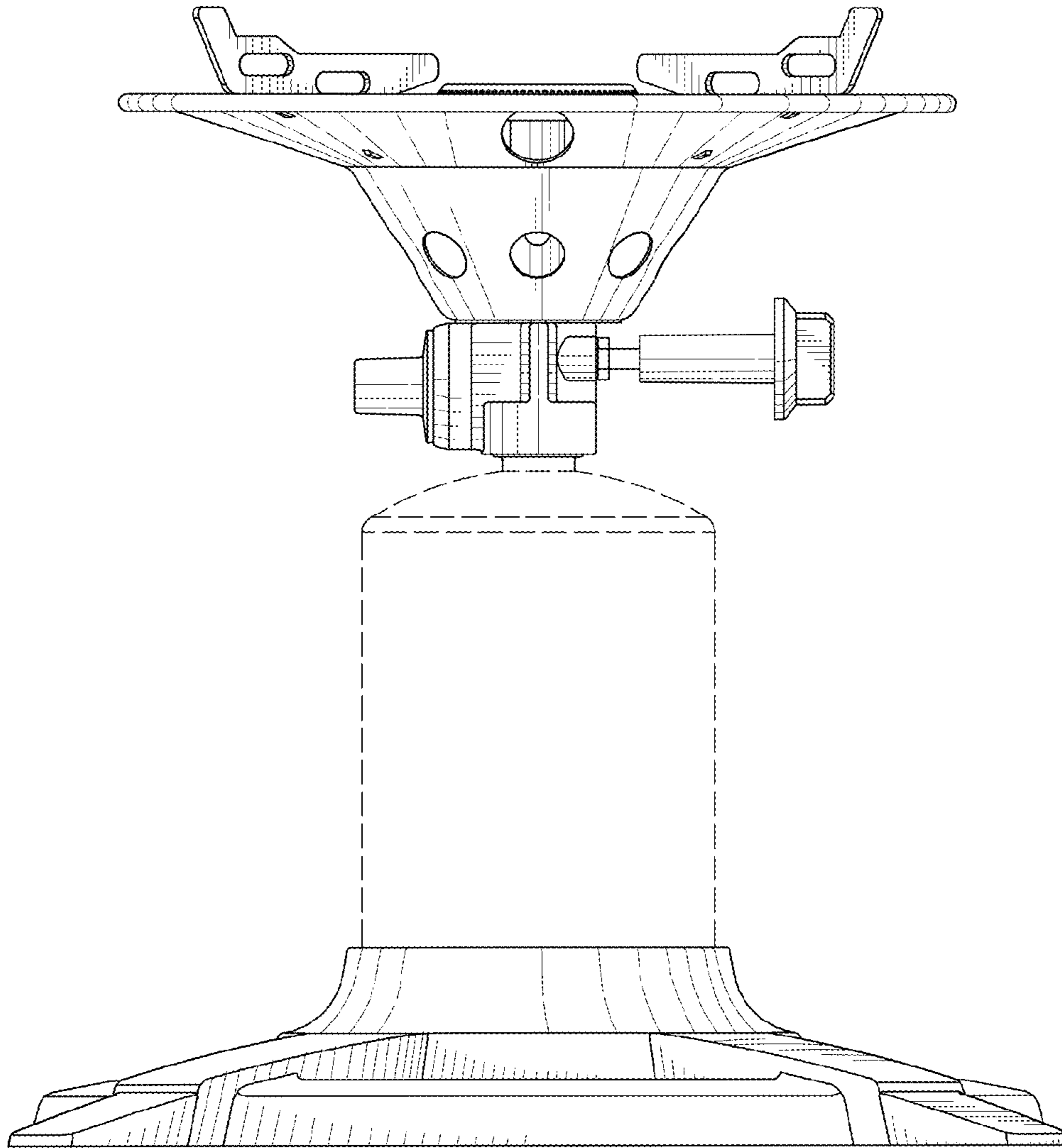


FIG. 4

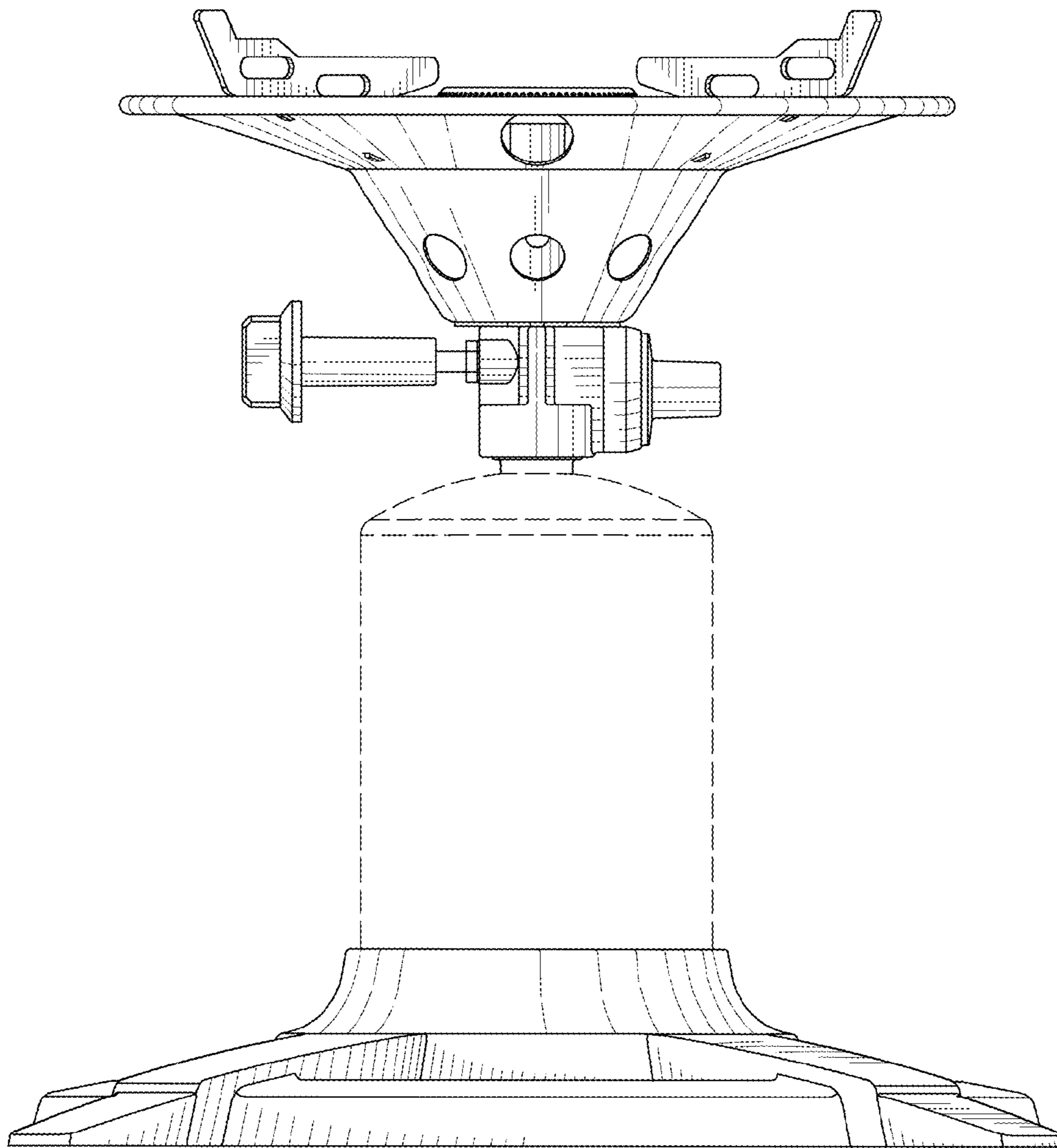


FIG. 5

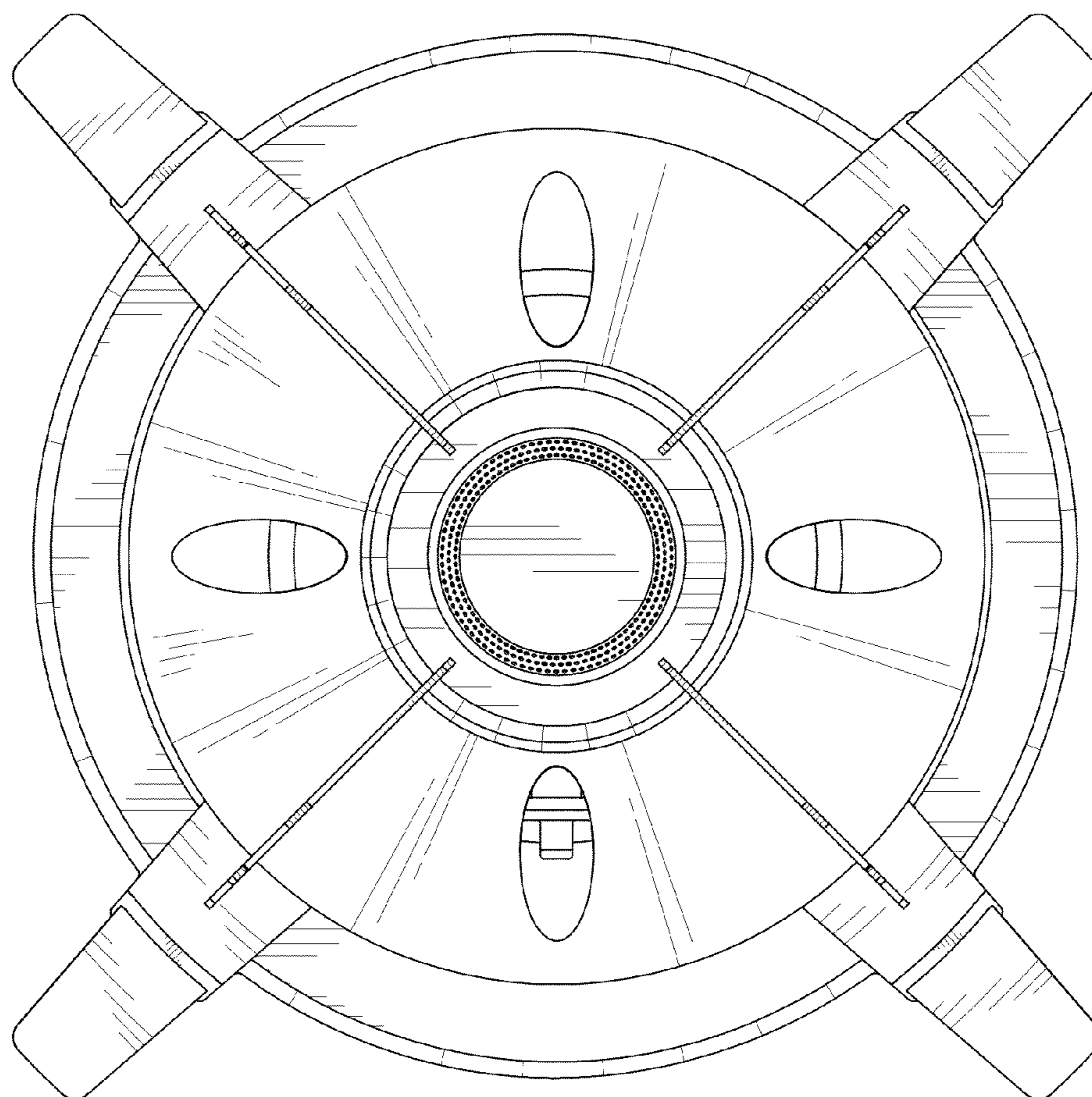


FIG. 6

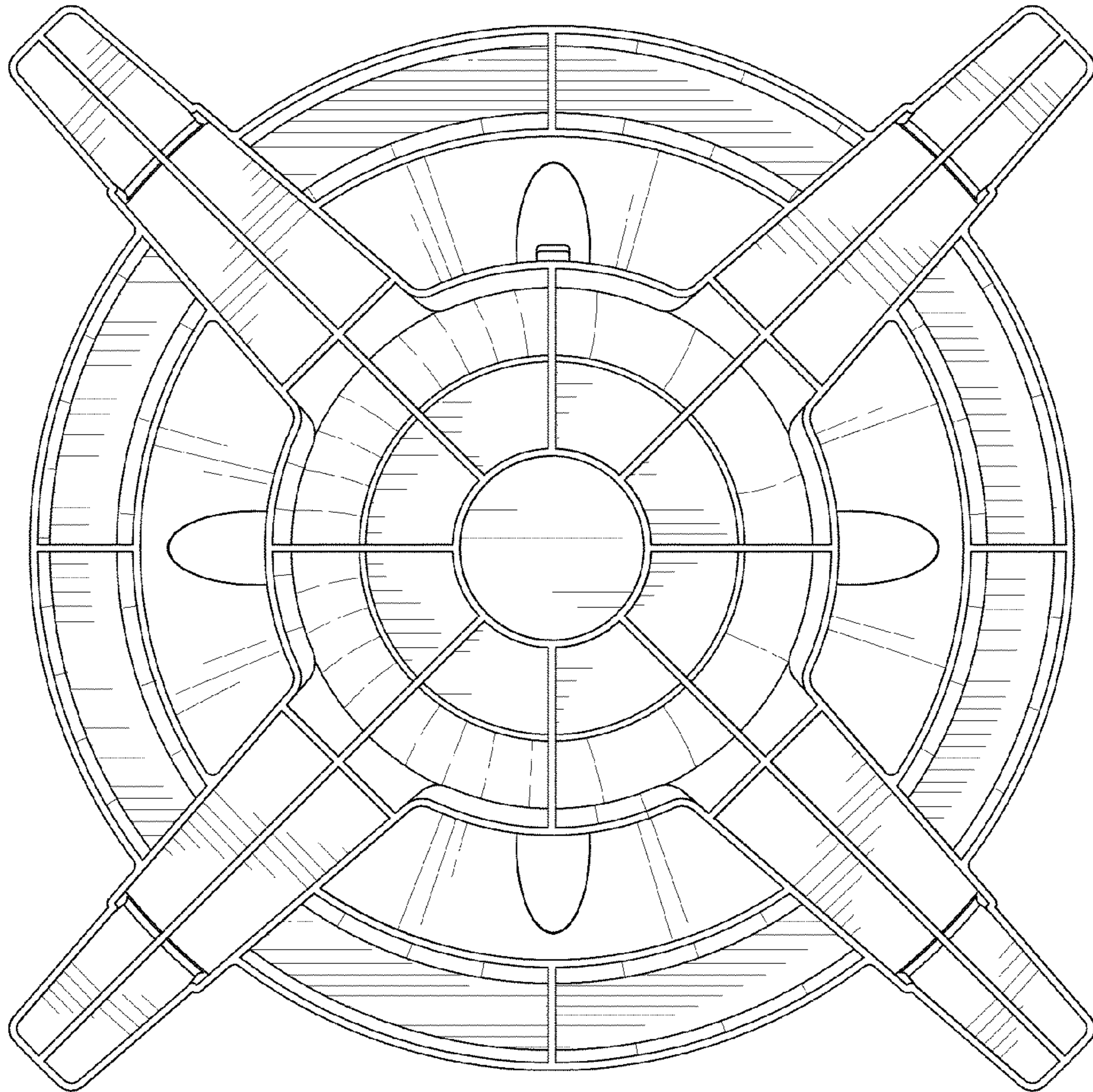


FIG. 7