



US00D680794S

(12) **United States Design Patent**  
**Chung**

(10) **Patent No.:** **US D680,794 S**  
(45) **Date of Patent:** **\*\* Apr. 30, 2013**

- (54) **BARBECUE GRILL**
- (76) Inventor: **Kiosky Chung**, Taichung (TW)
- (\*\*) Term: **14 Years**
- (21) Appl. No.: **29/429,813**
- (22) Filed: **Aug. 17, 2012**
- (51) **LOC (9) Cl.** ..... **07-02**
- (52) **U.S. Cl.**  
USPC ..... **D7/332**
- (58) **Field of Classification Search** ..... D7/332,  
D7/334, 337, 402-406, 409; 126/27, 44,  
126/25 R, 41 R, 9 R, 40, 50, 38, 39 H, 39 N,  
126/39 K, 39 M, 39 R, 39 J, 39 G, 39 E,  
126/285 R, 290, 80, 243, 287; 99/425, 444-446,  
99/450, 481, 482, 340; 431/247, 207, 264  
See application file for complete search history.

(56) **References Cited**

**U.S. PATENT DOCUMENTS**

- 3,380,444 A \* 4/1968 Stalker ..... 126/25 R
- D302,641 S \* 8/1989 Elmburg ..... D7/332
- 5,002,036 A \* 3/1991 Kelly ..... 126/25 R
- D516,368 S \* 3/2006 Zhang ..... D7/337

- D571,606 S \* 6/2008 Pai ..... D7/337
- D611,292 S \* 3/2010 Chung ..... D7/337
- D631,685 S \* 2/2011 Tiller et al. .... D7/337
- 2010/0252021 A1 \* 10/2010 Bryce et al. .... 126/25 R

\* cited by examiner

*Primary Examiner* — Ruth McInroy

(57) **CLAIM**

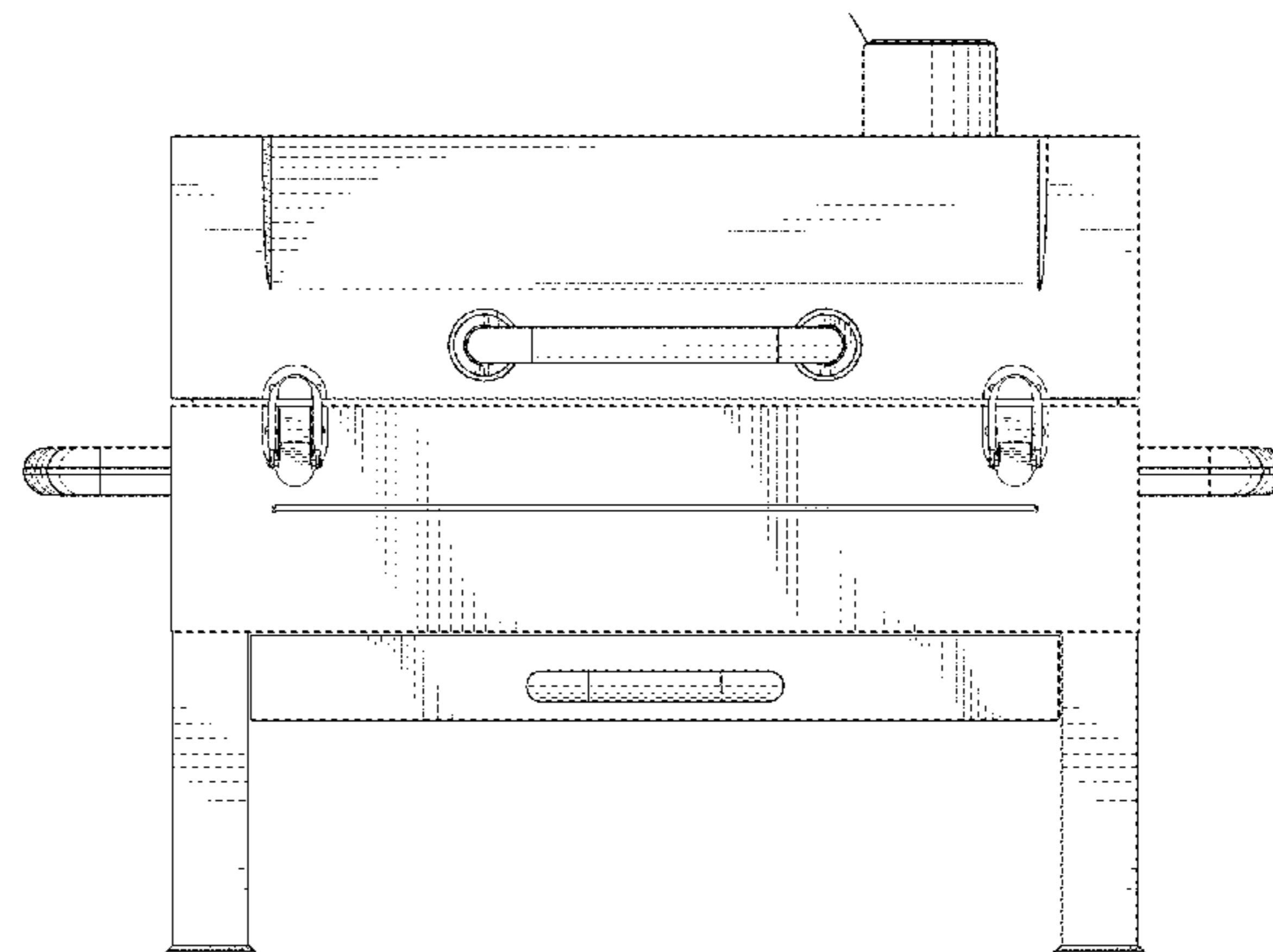
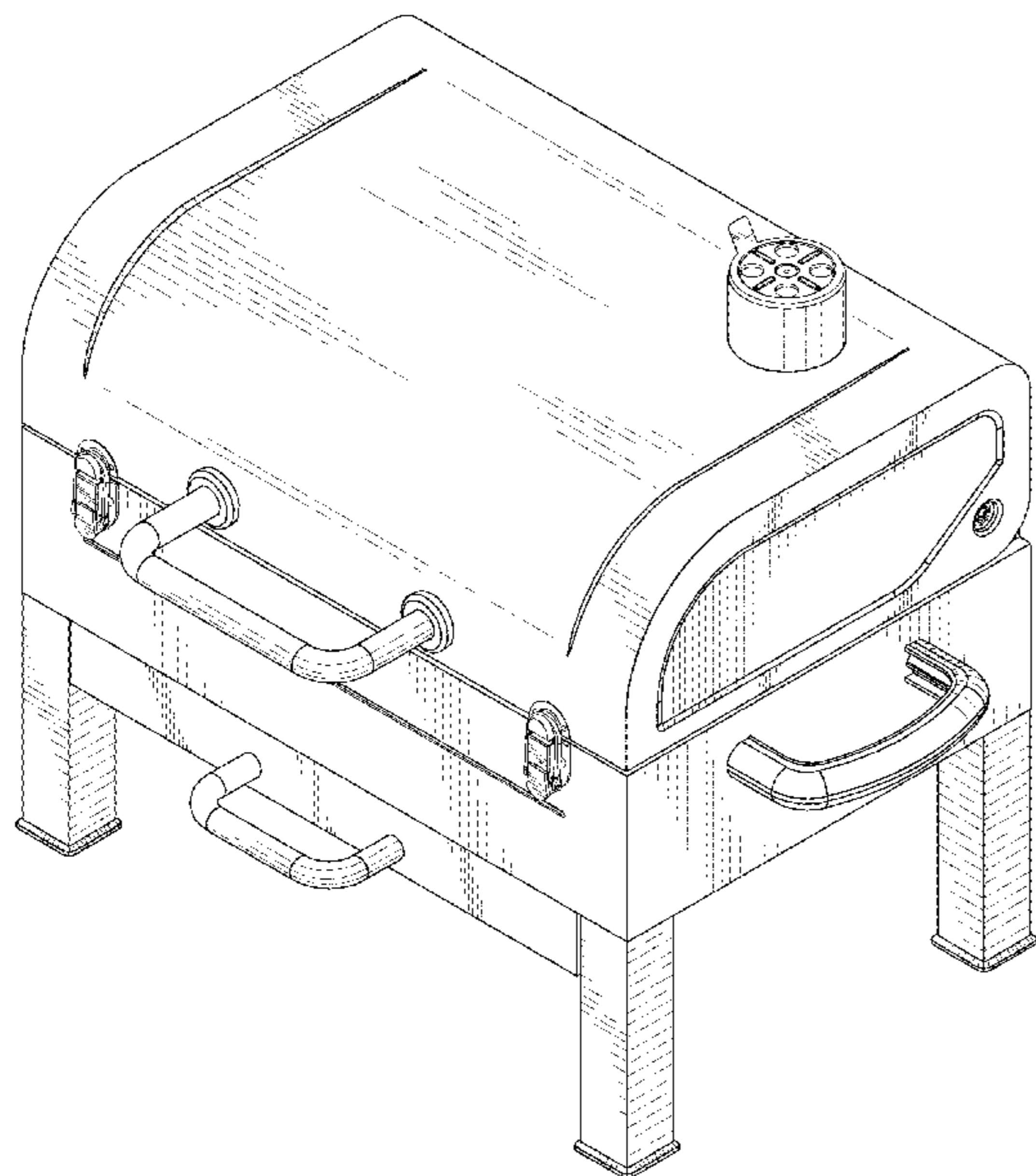
I claim the ornamental design for a barbecue grill, as shown and described.

**DESCRIPTION**

- FIG. 1 is a perspective view of a barbecue grill, showing my new design;
- FIG. 2 is a front elevational view thereof;
- FIG. 3 is a rear elevational view thereof;
- FIG. 4 is a left side elevational view thereof;
- FIG. 5 is a right side elevational view thereof;
- FIG. 6 is a top plan view thereof; and,
- FIG. 7 is a bottom plan view thereof.

The broken lines shown in the drawings are for the purpose of illustrating unclaimed portions of the barbecue grill and form no part of the claimed design.

**1 Claim, 7 Drawing Sheets**



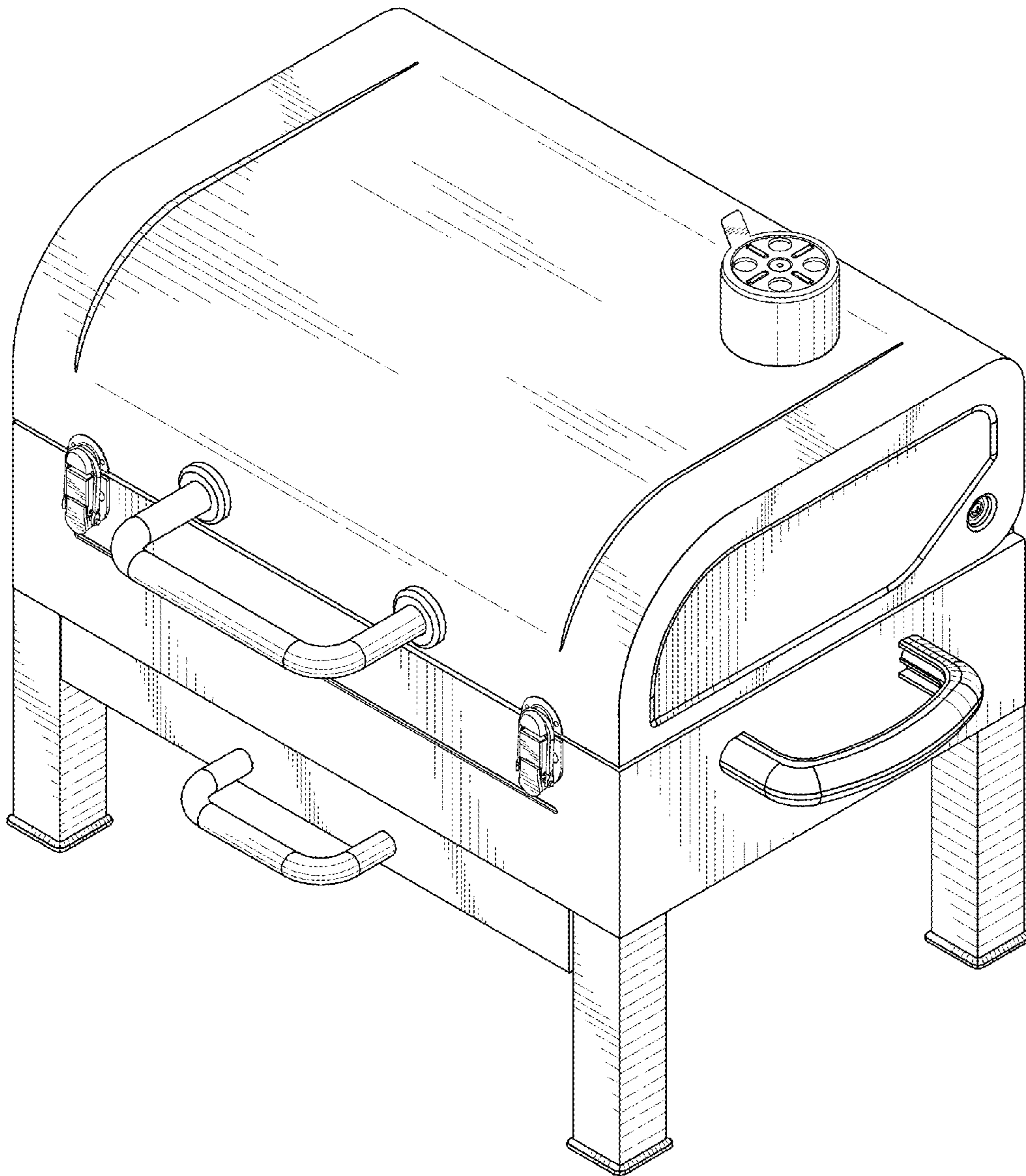


FIG. 1

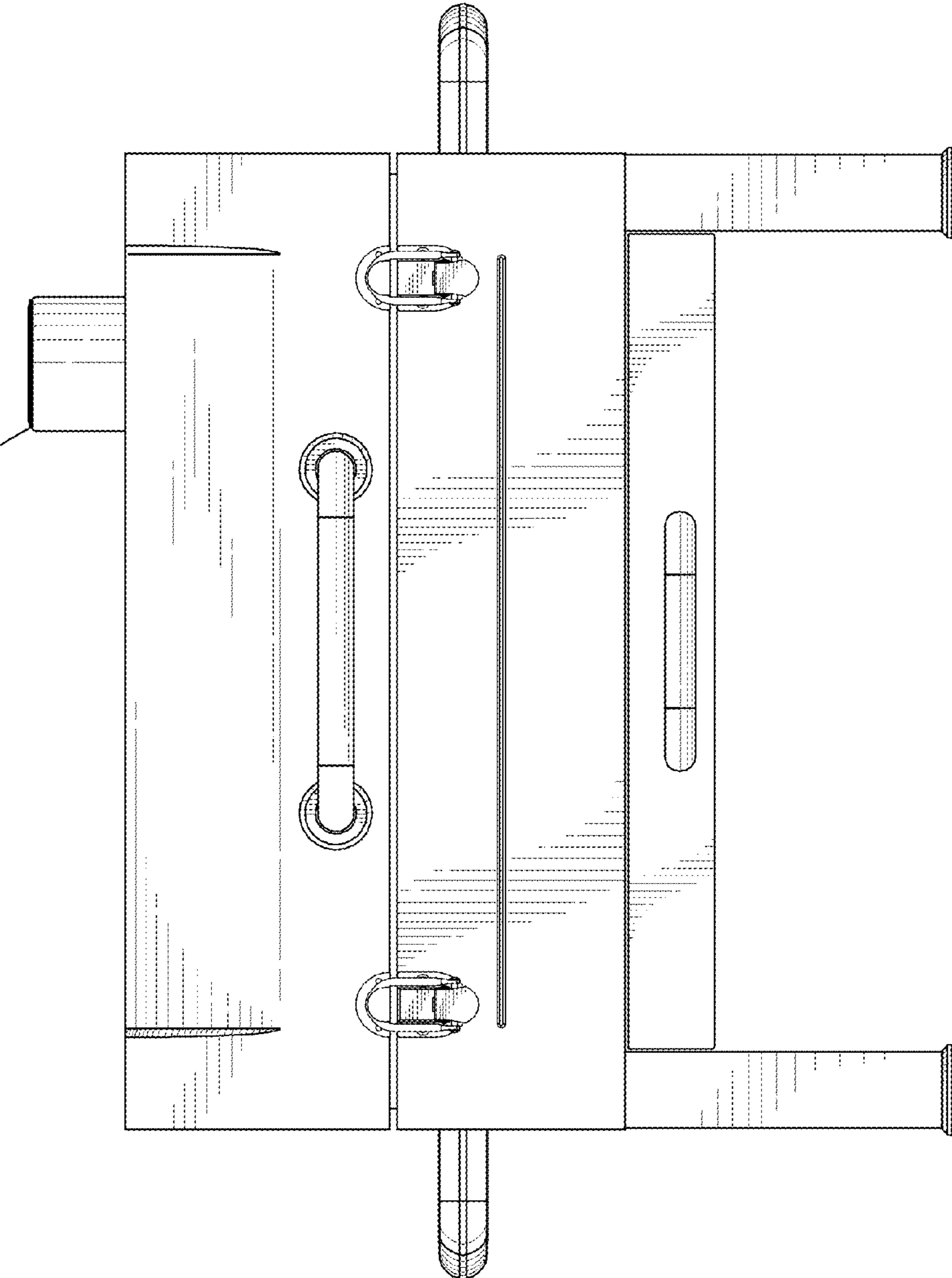


FIG. 2

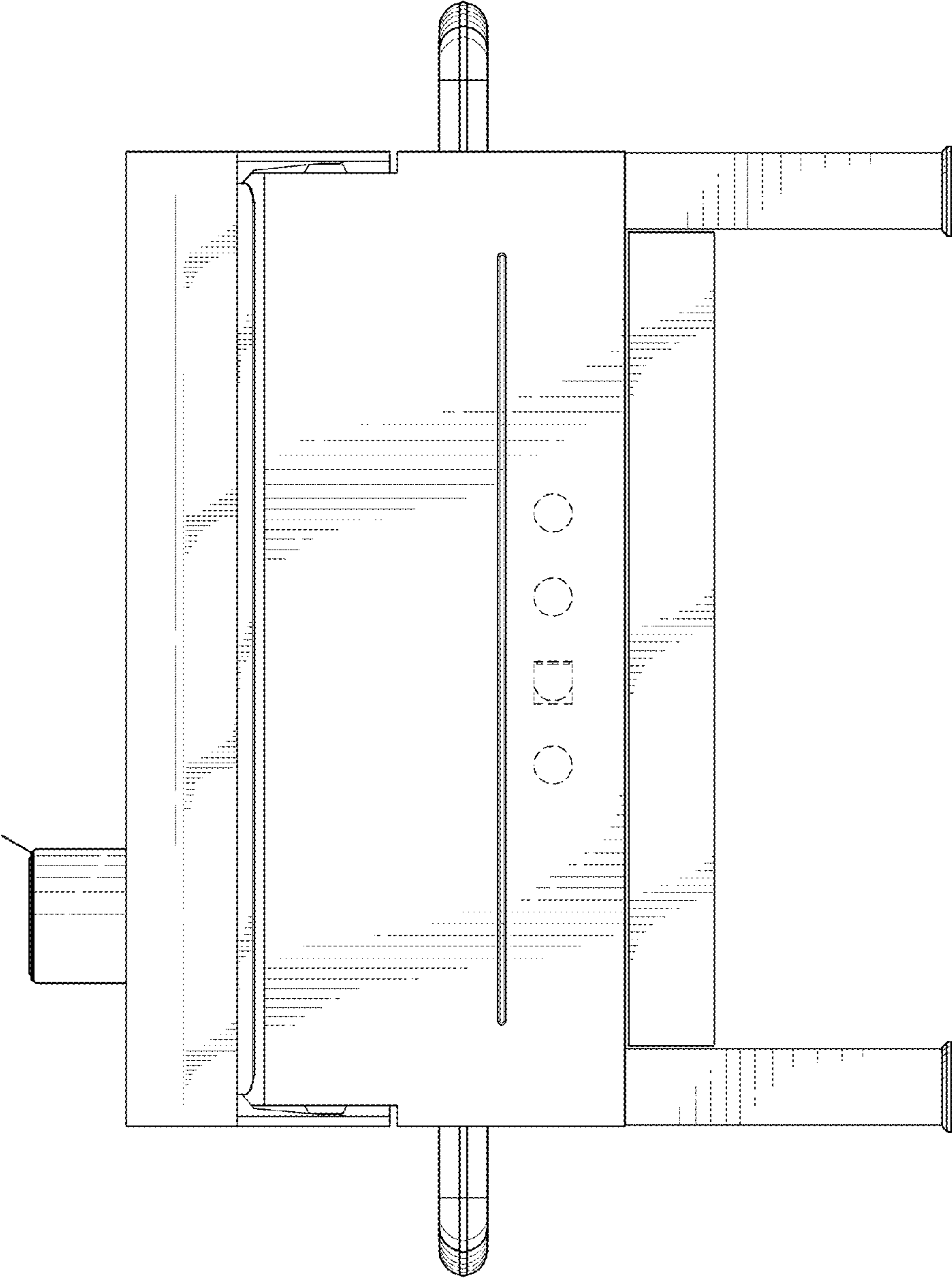


FIG. 3

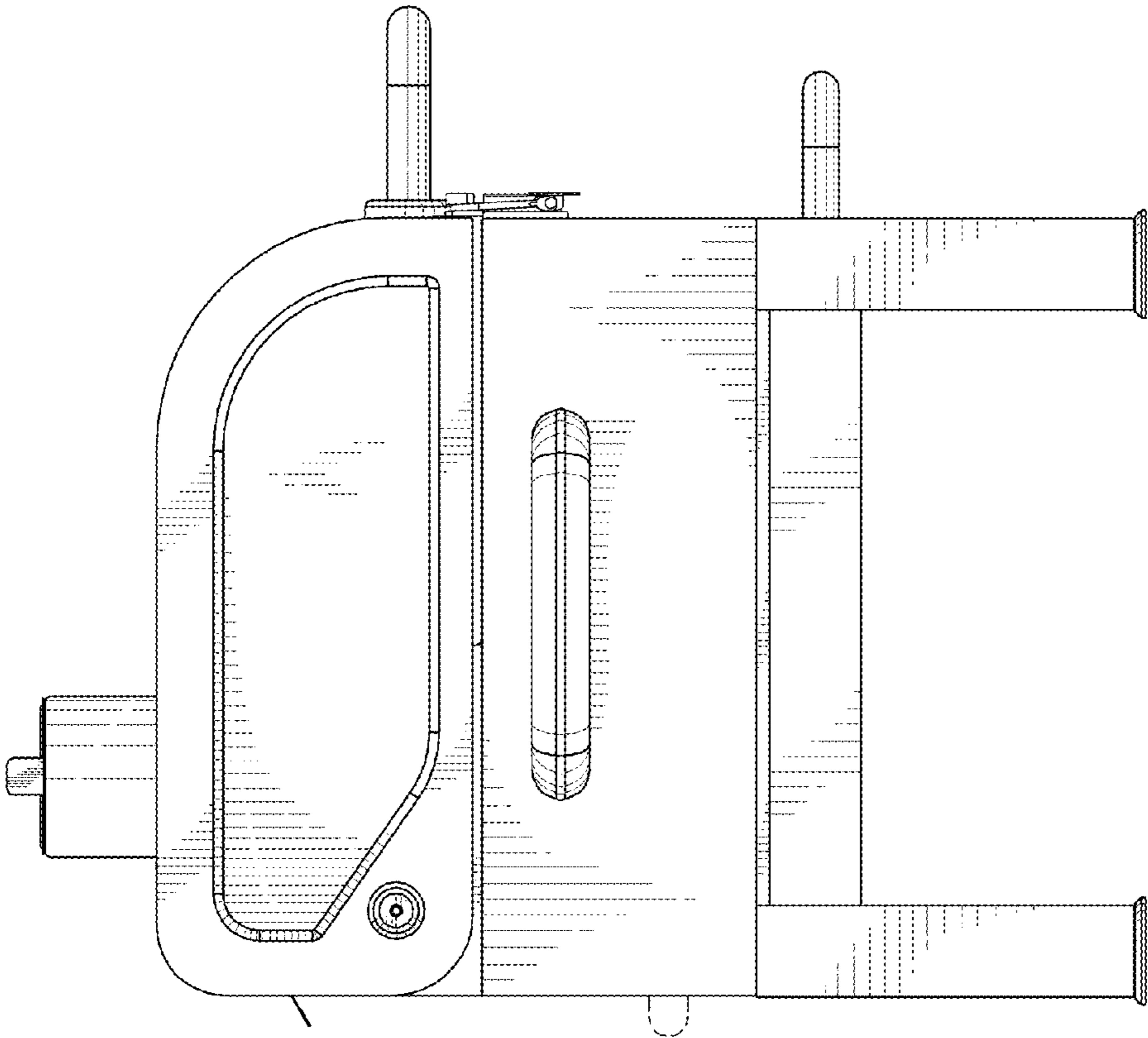


FIG. 4

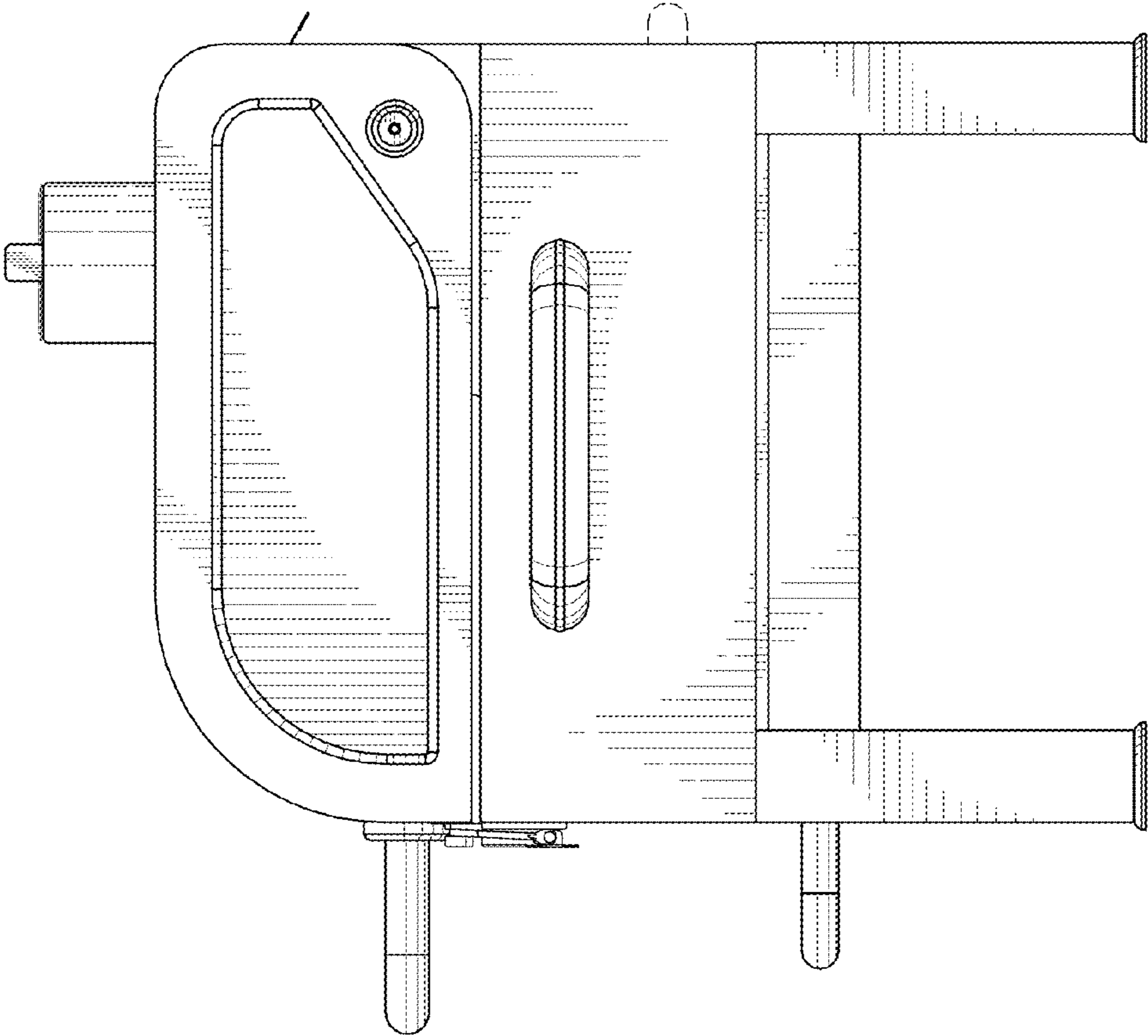


FIG. 5

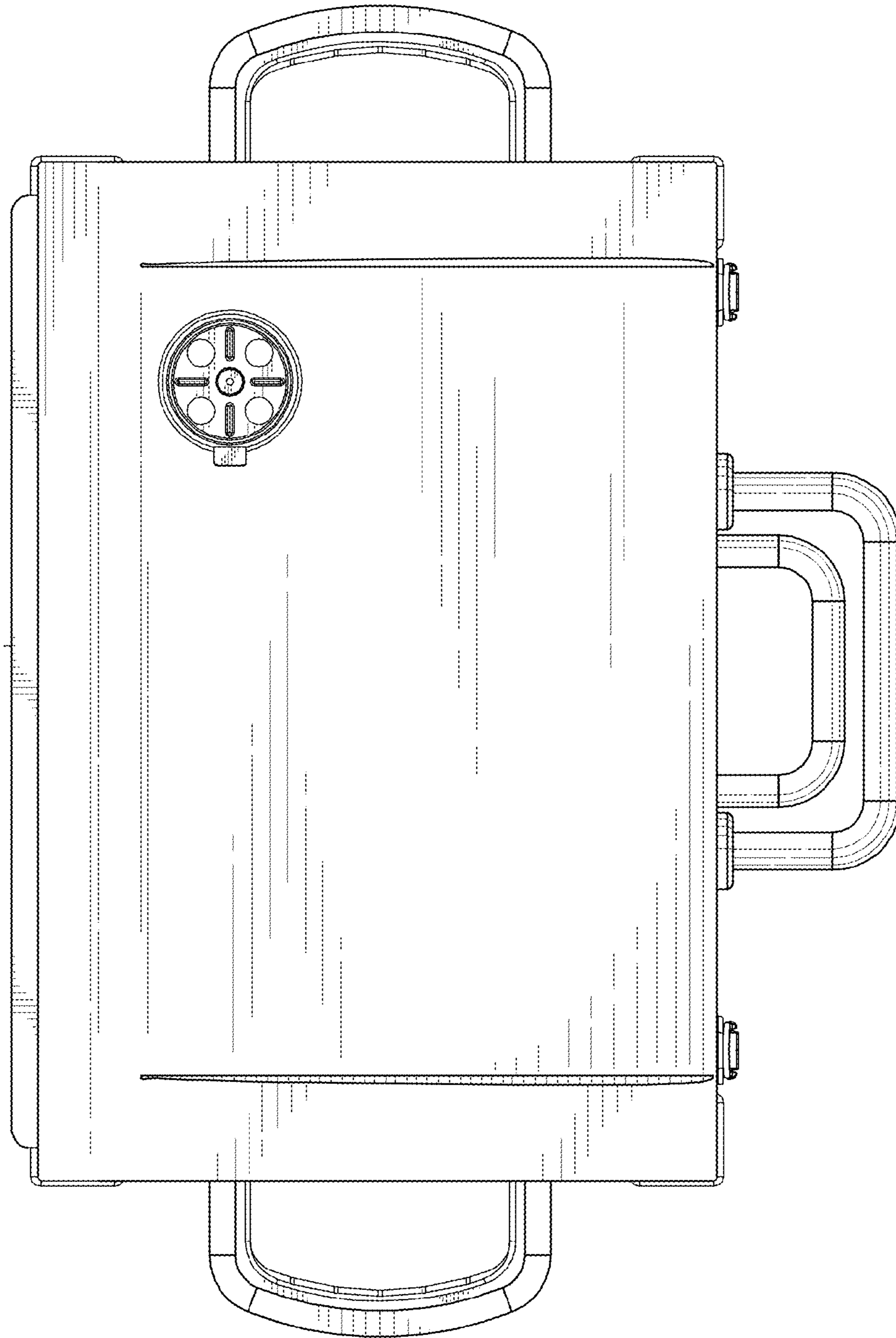


FIG. 6

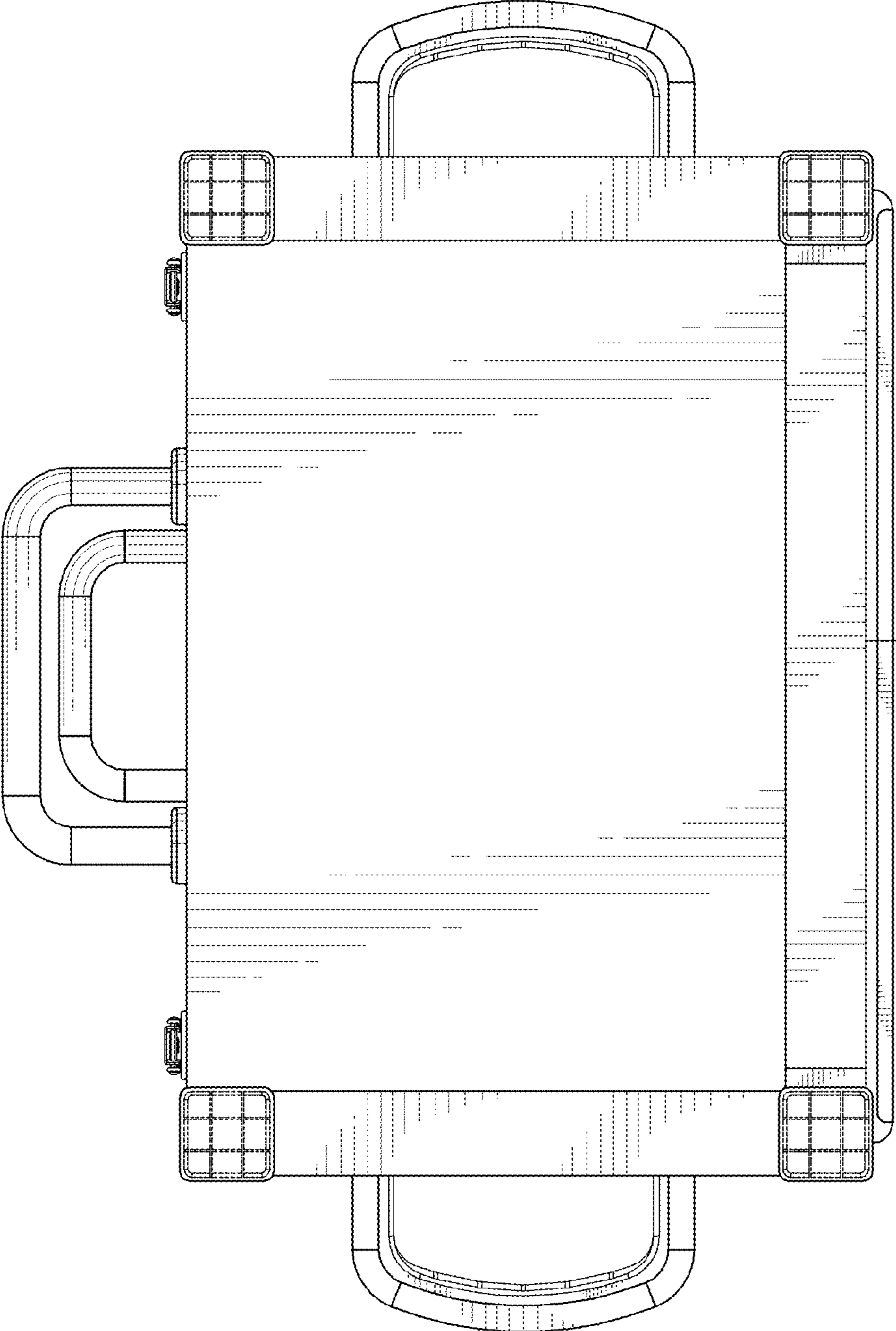


FIG. 7