



US00D680793S

(12) **United States Design Patent**  
**Chung**

(10) **Patent No.:** **US D680,793 S**

(45) **Date of Patent:** **\*\* Apr. 30, 2013**

(54) **BARBECUE GRILL**

(76) Inventor: **Kiosky Chung**, Taichung (TW)

(\*\*) Term: **14 Years**

(21) Appl. No.: **29/406,361**

(22) Filed: **Nov. 12, 2011**

(51) **LOC (9) Cl.** ..... **07-02**

(52) **U.S. Cl.**  
USPC ..... **D7/332**

(58) **Field of Classification Search** ..... D7/332,  
D7/334, 337, 402-406, 409; 126/27, 44,  
126/25 R, 41 R, 9 R, 40, 50, 38, 39 H, 39 N,  
126/39 K, 39 M, 39 R, 39 J, 39 G, 39 E,  
126/285 R, 290, 80, 243, 287; 99/425, 444-446,  
99/450, 481, 482, 340; 431/247, 207, 264  
See application file for complete search history.

(56) **References Cited**

**U.S. PATENT DOCUMENTS**

3,380,444 A \* 4/1968 Stalker ..... 126/25 R  
D302,641 S \* 8/1989 Elmburg ..... D7/332

5,002,036 A \* 3/1991 Kelly ..... 126/25 R  
D516,368 S \* 3/2006 Zhang ..... D7/337  
D571,606 S \* 6/2008 Pai ..... D7/337  
D611,292 S \* 3/2010 Chung ..... D7/337  
D631,685 S \* 2/2011 Tiller et al. .... D7/337  
2010/0252021 A1\* 10/2010 Bryce et al. .... 126/25 R

\* cited by examiner

*Primary Examiner* — Ruth McInroy

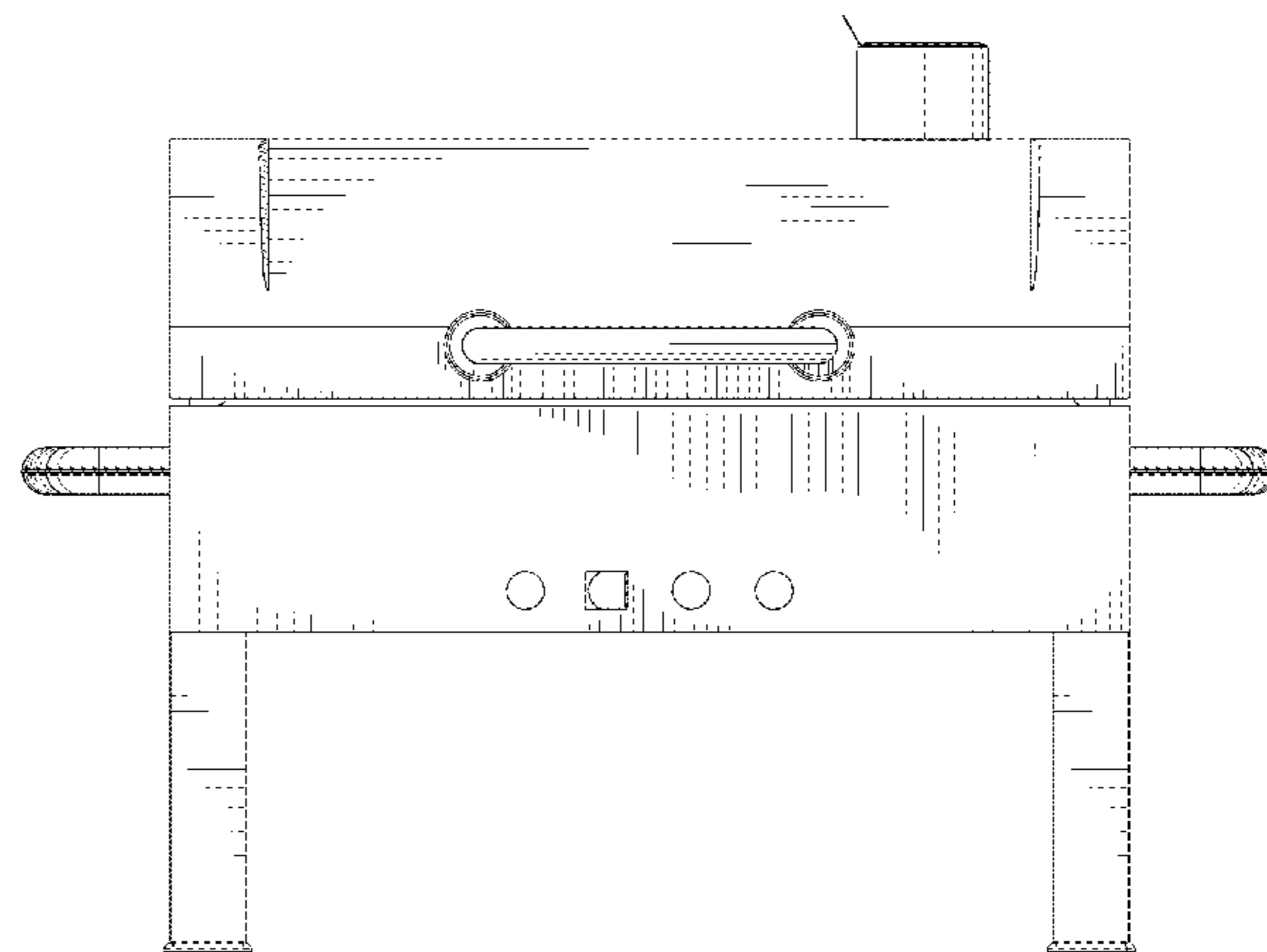
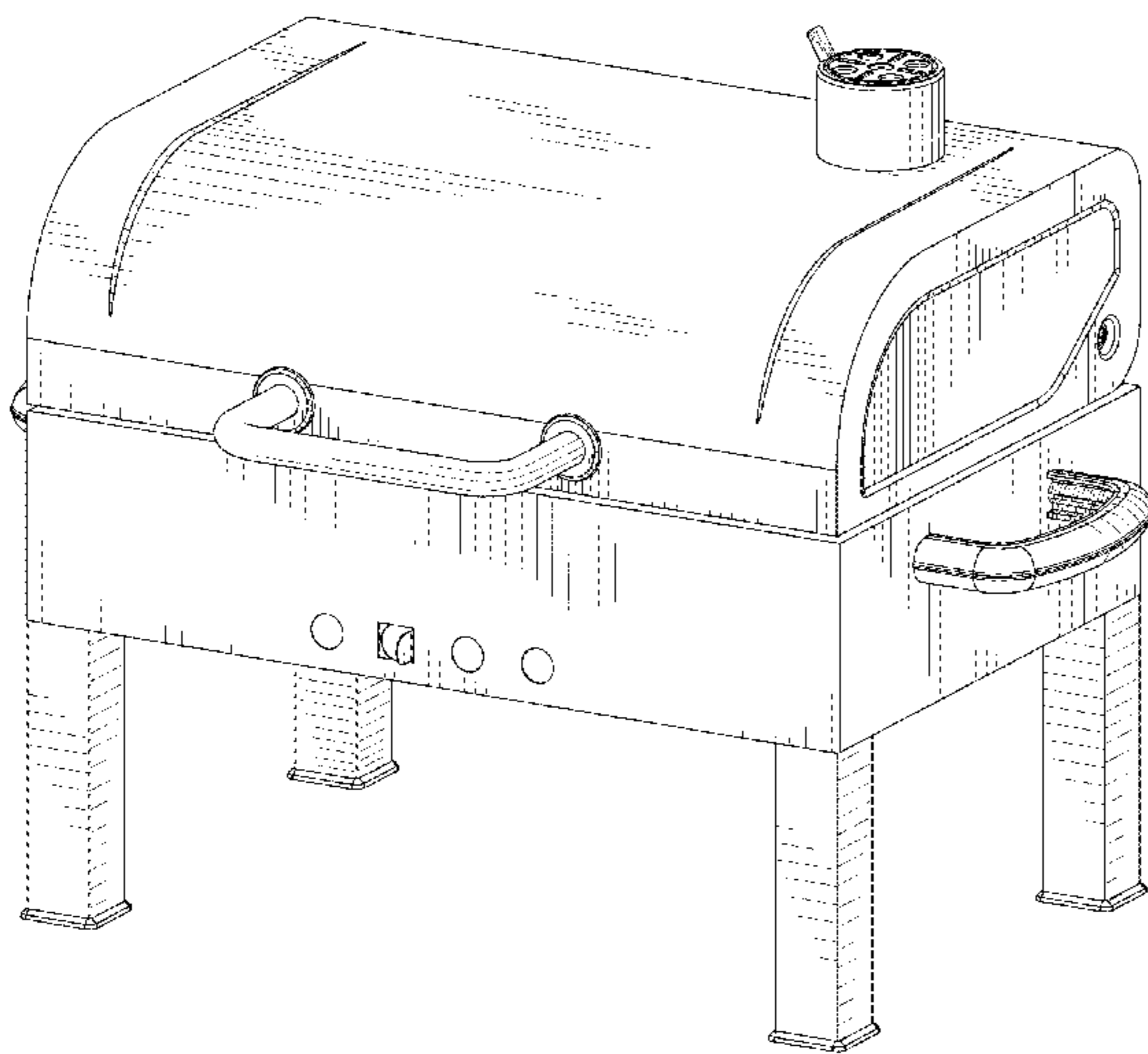
(57) **CLAIM**

I claim the ornamental design for a barbecue grill, as shown and described.

**DESCRIPTION**

FIG. 1 is a perspective view of a barbecue grill, showing my new design;  
FIG. 2 is a front elevational view thereof;  
FIG. 3 is a rear elevational view thereof;  
FIG. 4 is a left side elevational view thereof;  
FIG. 5 is a right side elevational view thereof;  
FIG. 6 is a top plan view thereof; and,  
FIG. 7 is a bottom plan view thereof.

**1 Claim, 7 Drawing Sheets**



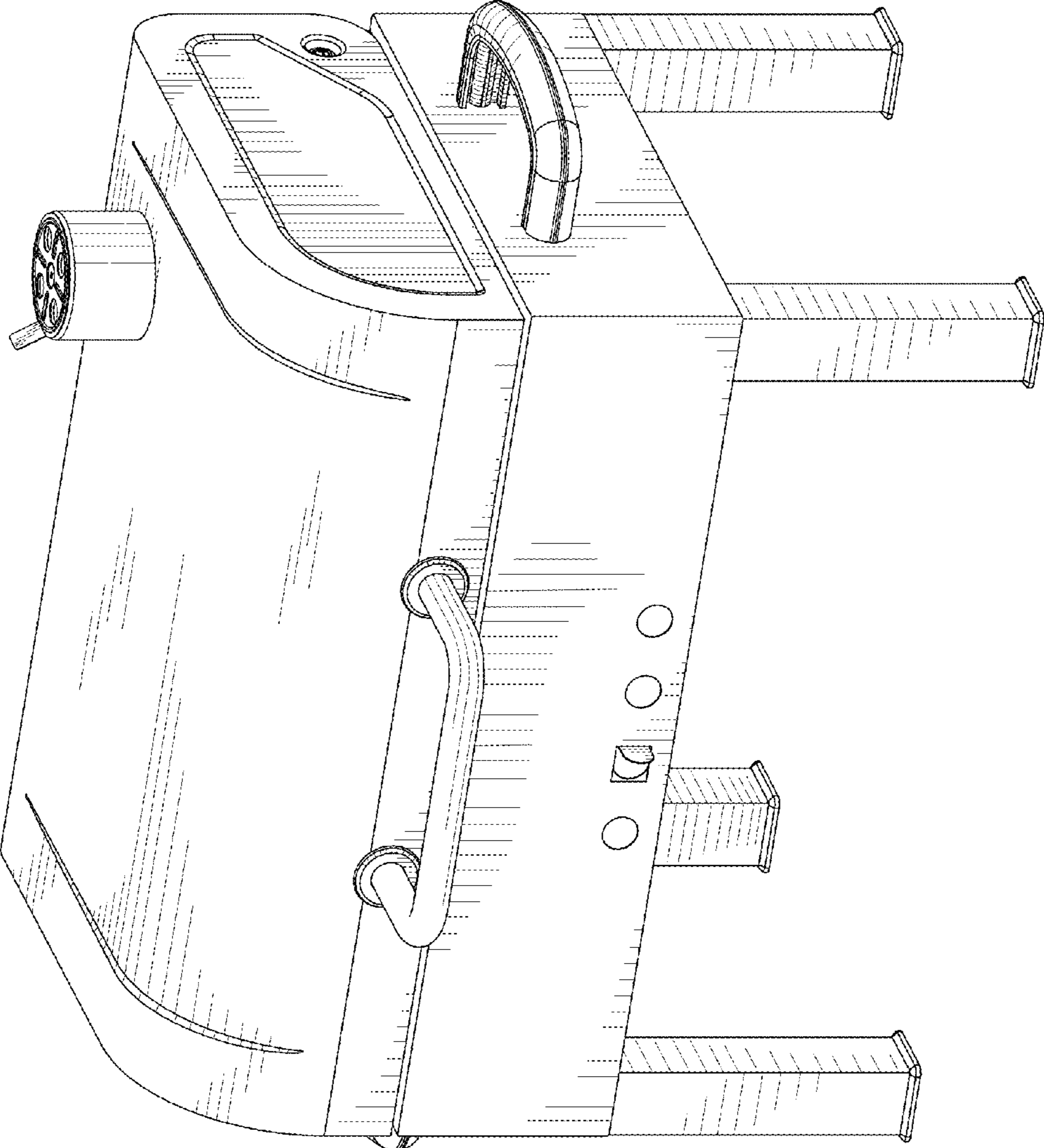


FIG. 1

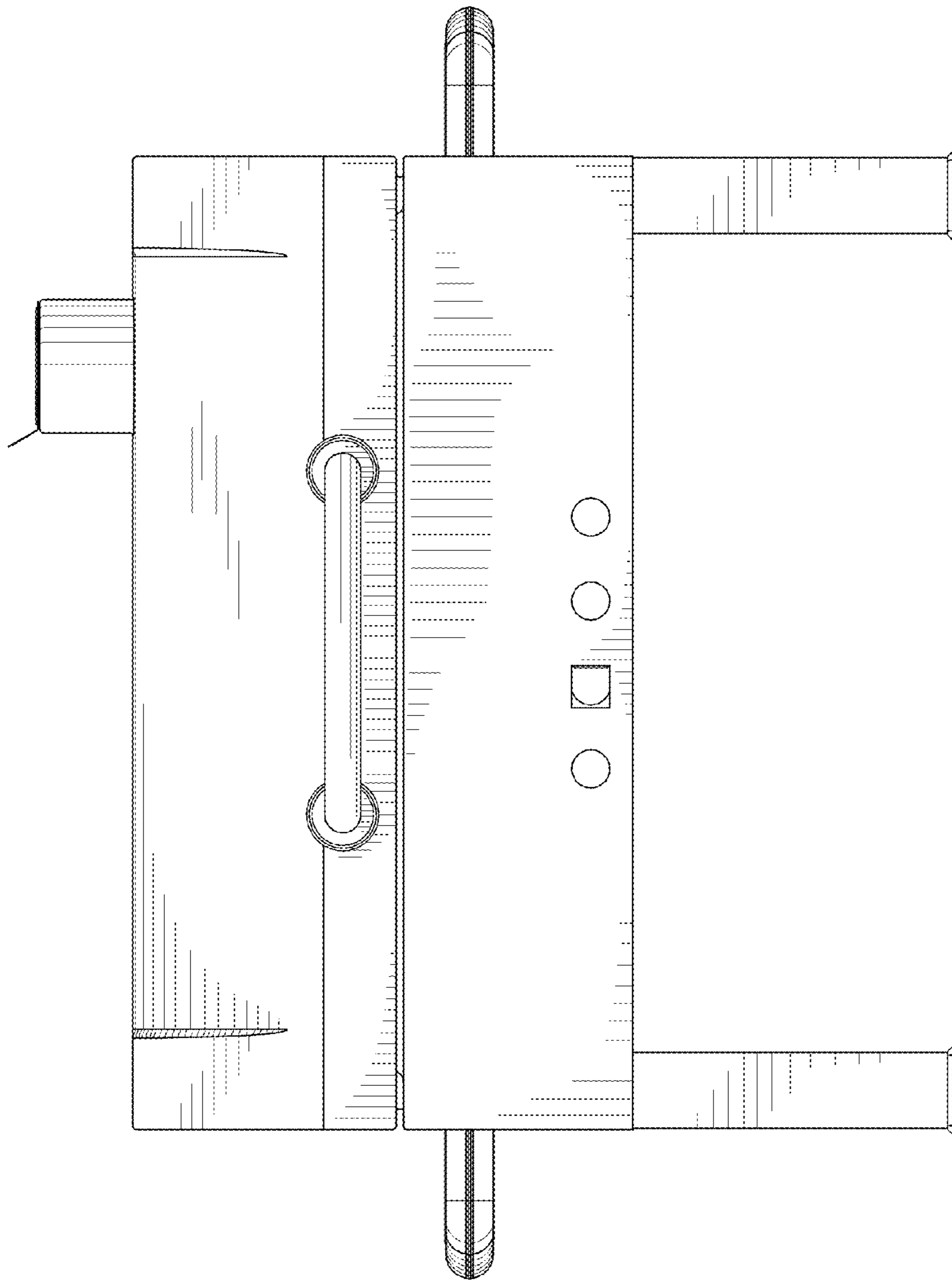


FIG. 2

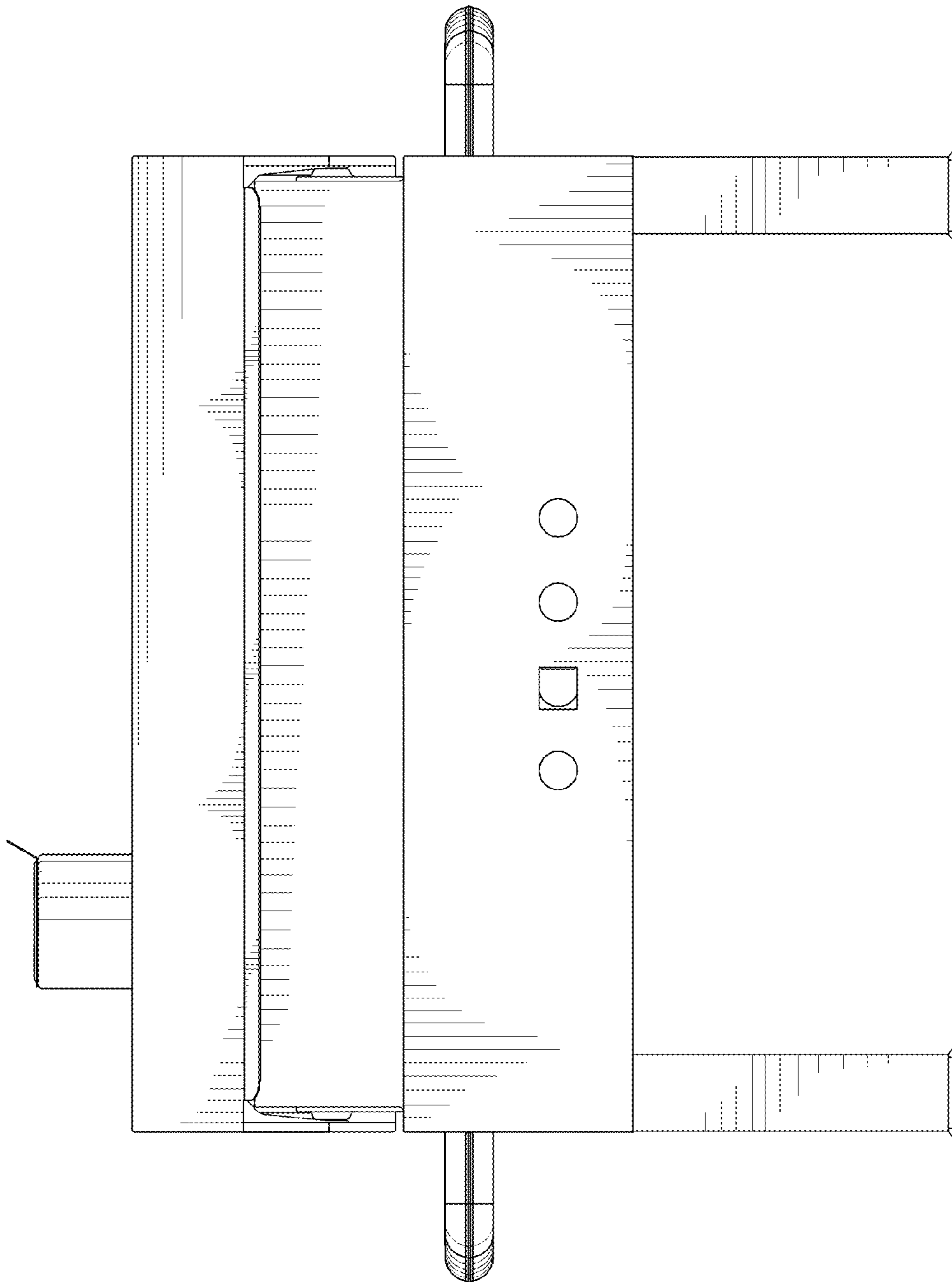


FIG. 3

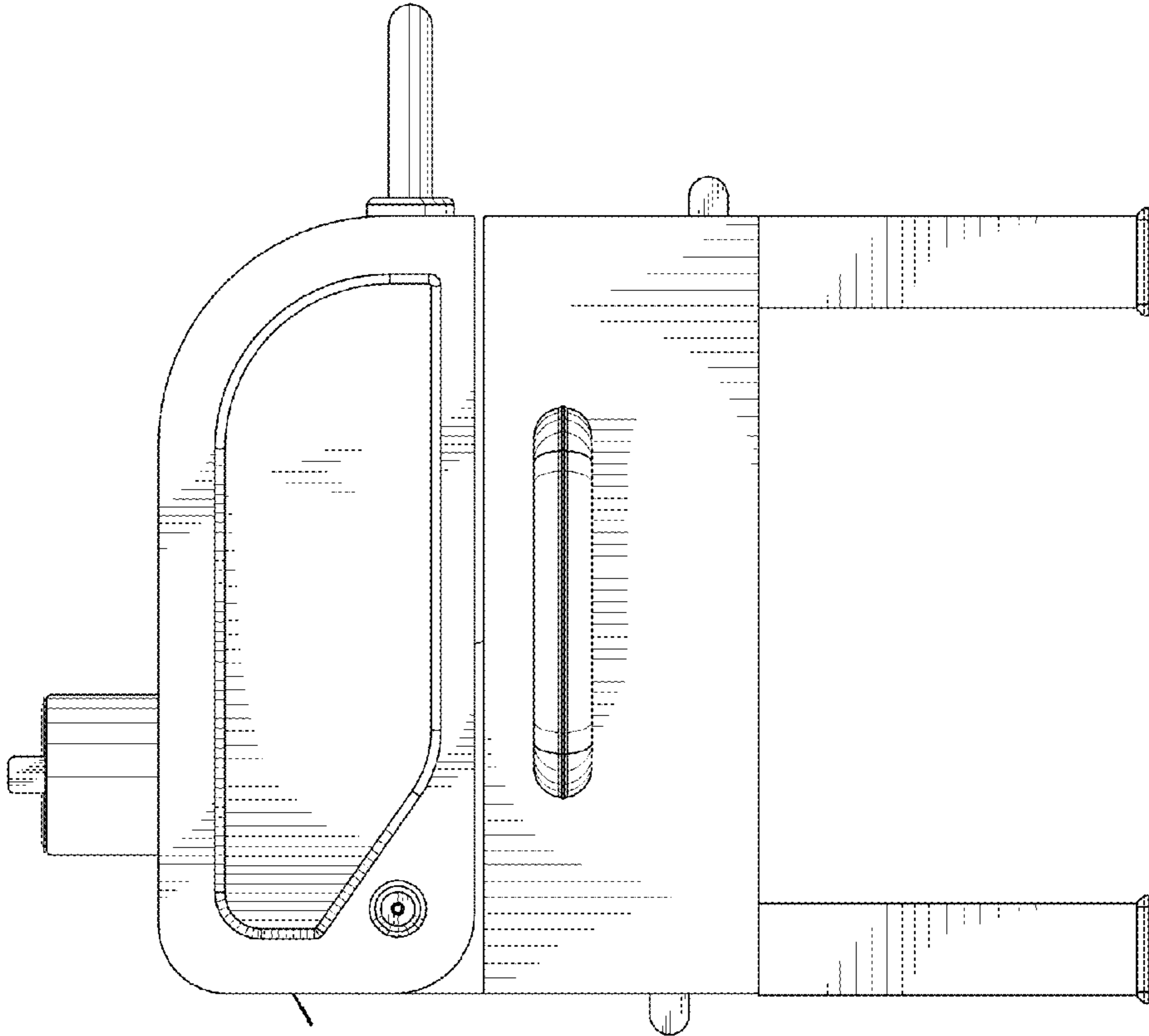


FIG. 4

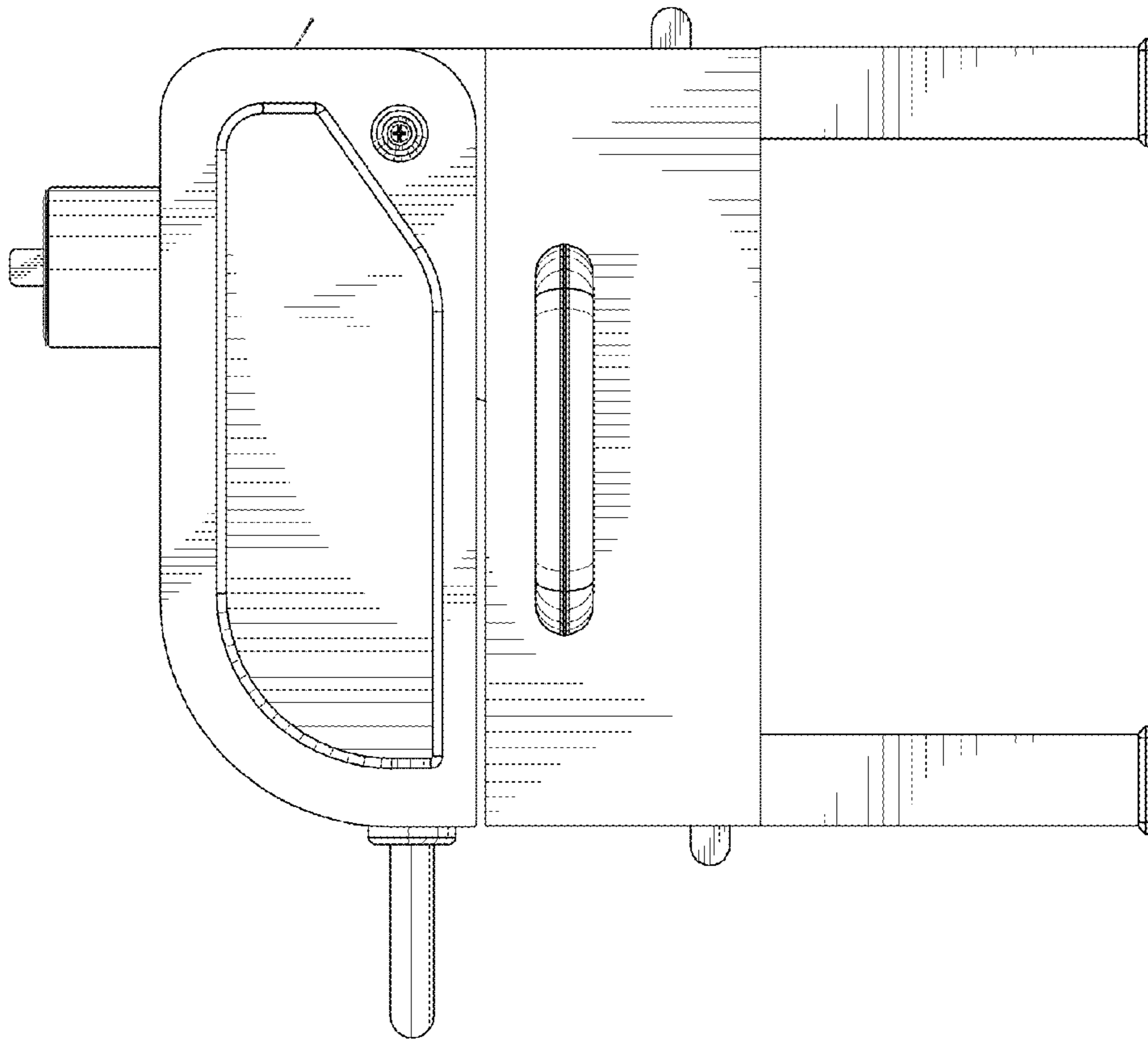


FIG. 5

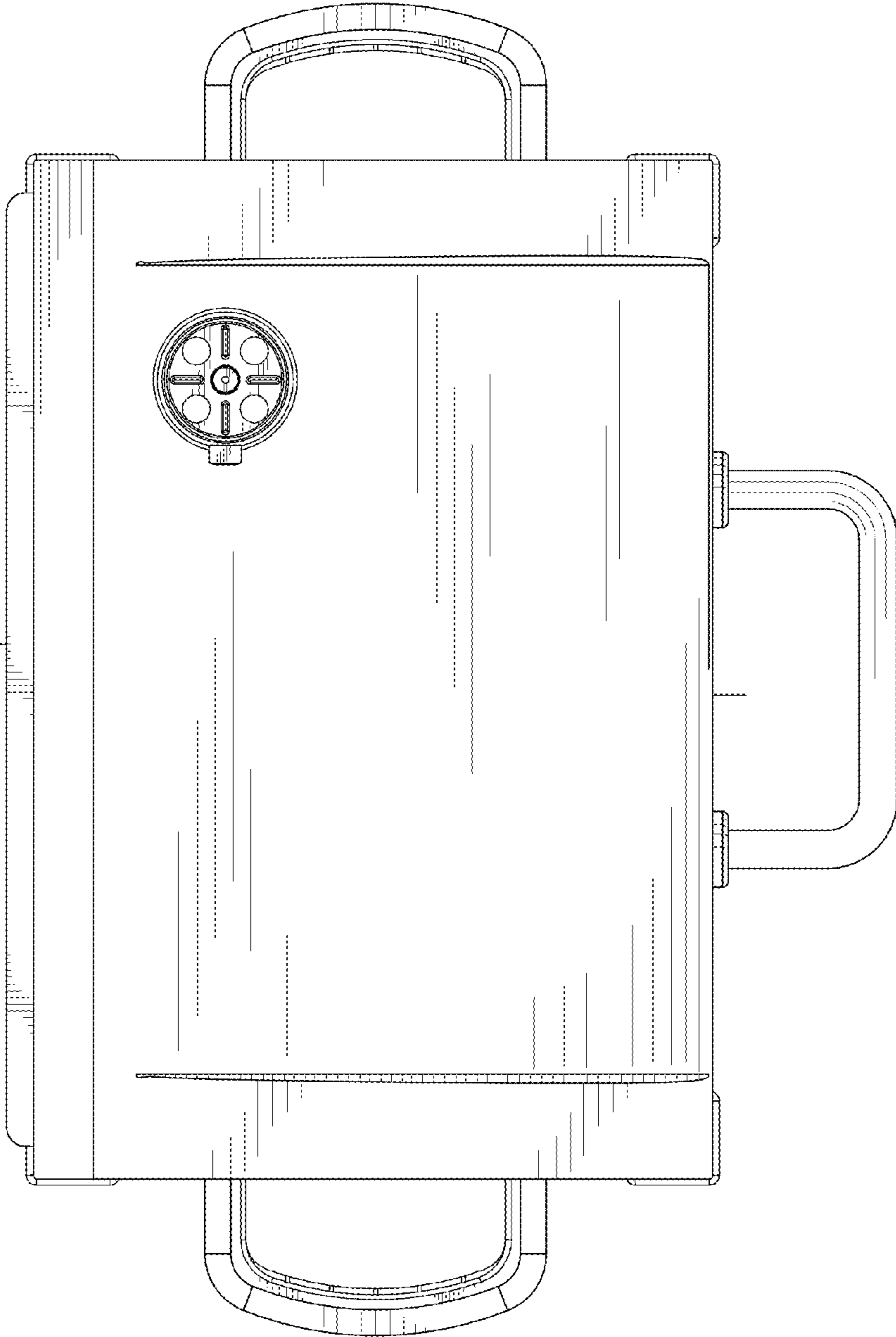


FIG. 6

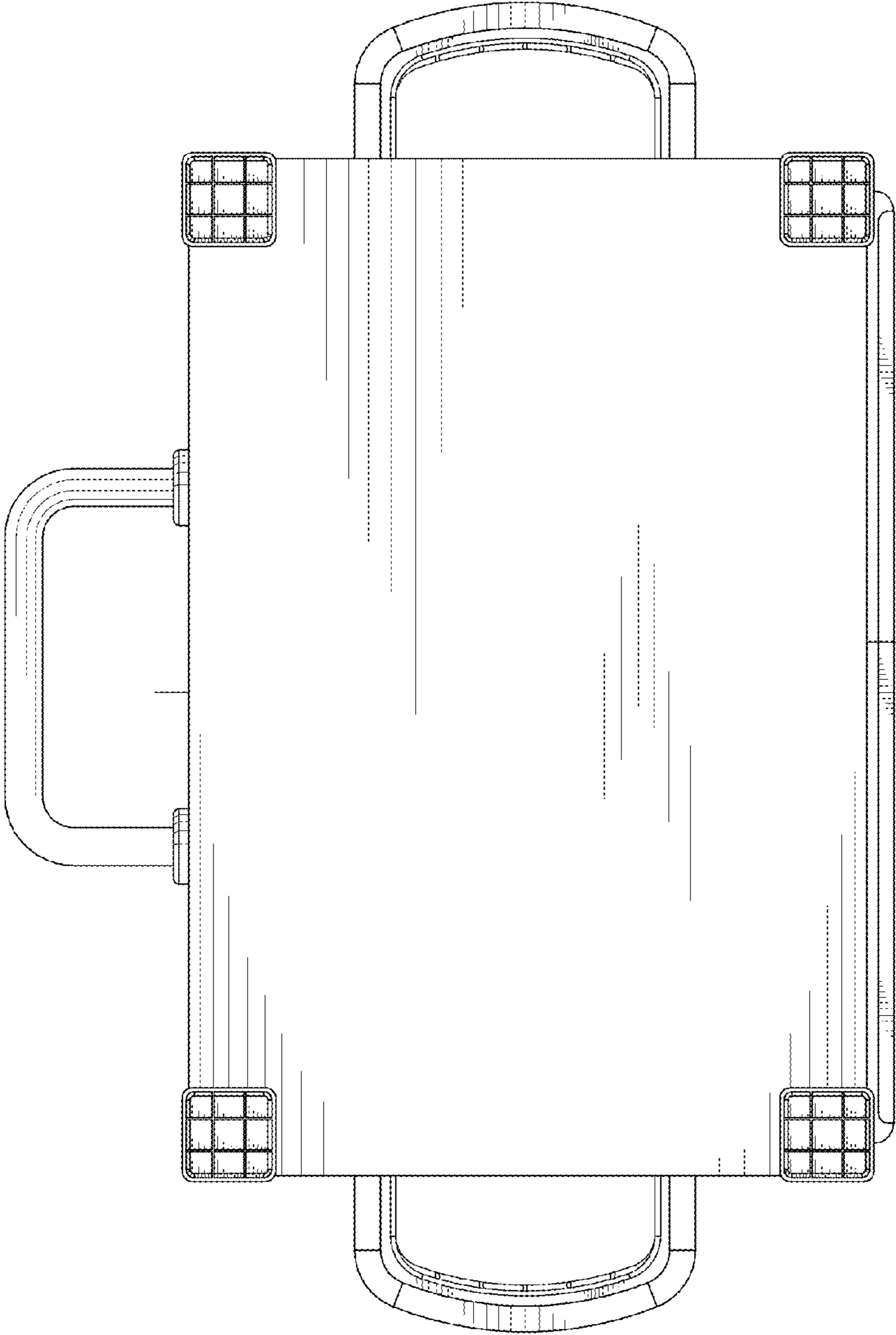


FIG. 7