



US00D680785S

(12) **United States Design Patent**
Hankinson

(10) **Patent No.:** **US D680,785 S**
(45) **Date of Patent:** **** Apr. 30, 2013**

(54) **ORGANIZER FOR RE-SEALABLE KITCHEN STORAGE BAGS**

D502,509 S 3/2005 DeCarlo et al.
7,104,408 B2 9/2006 Stravitz
D555,736 S * 11/2007 Decarlo et al. D19/90
D601,837 S 10/2009 Evans

(76) Inventor: **Karen Ruth Hankinson**, Saint Petersburg, FL (US)

(**) Term: **14 Years**

(21) Appl. No.: **29/408,468**

(22) Filed: **Dec. 13, 2011**

(51) **LOC (9) Cl.** **06-04**

(52) **U.S. Cl.**
USPC **D6/570**

(58) **Field of Classification Search** D6/553,
D6/567, 570, 474; D19/65, 75, 77, 78, 86-91,
D19/99-100; 211/10-11, 13.1, 44-50, 119.005,
211/87.01, 88.01, 126.13, 126.16
See application file for complete search history.

(56) **References Cited**

U.S. PATENT DOCUMENTS

D252,334 S	7/1979	Small	
D261,011 S	9/1981	Brown	
D277,396 S	1/1985	Mahler	
5,016,760 A	5/1991	Mayo	
5,344,030 A	9/1994	Evenson	
D358,049 S *	5/1995	Wilson	D6/567
D363,950 S *	11/1995	Brussing	D19/90
D396,591 S *	8/1998	Vasilakis	D6/567
D413,749 S *	9/1999	Stravitz	D6/567
D452,976 S	1/2002	Carpenter	
D453,275 S	2/2002	Stravitz	
D459,398 S	6/2002	Stravitz	
D475,749 S	6/2003	Chang	
D494,625 S *	8/2004	Stravitz	D19/90
D494,760 S	8/2004	Yuan	
D495,007 S	8/2004	Stravitz	

OTHER PUBLICATIONS

Office Action, U.S. Appl. No. 29/341,143 (dated Apr. 8, 2010).

* cited by examiner

Primary Examiner — Brian N Vinson

(74) *Attorney, Agent, or Firm* — Maxey Law Offices, PLLC; Stephen Lewellyn

(57) **CLAIM**

The ornamental design for an organizer for re-sealable kitchen storage bags, as shown and described.

DESCRIPTION

FIG. 1 is a front elevation view of the organizer for re-sealable kitchen storage bags in accordance with my invention in a first configuration;

FIG. 2 is a back elevation view of the organizer for re-sealable kitchen storage bags of FIG. 1;

FIG. 3 is a top plan view of the organizer for re-sealable kitchen storage bags of FIG. 1;

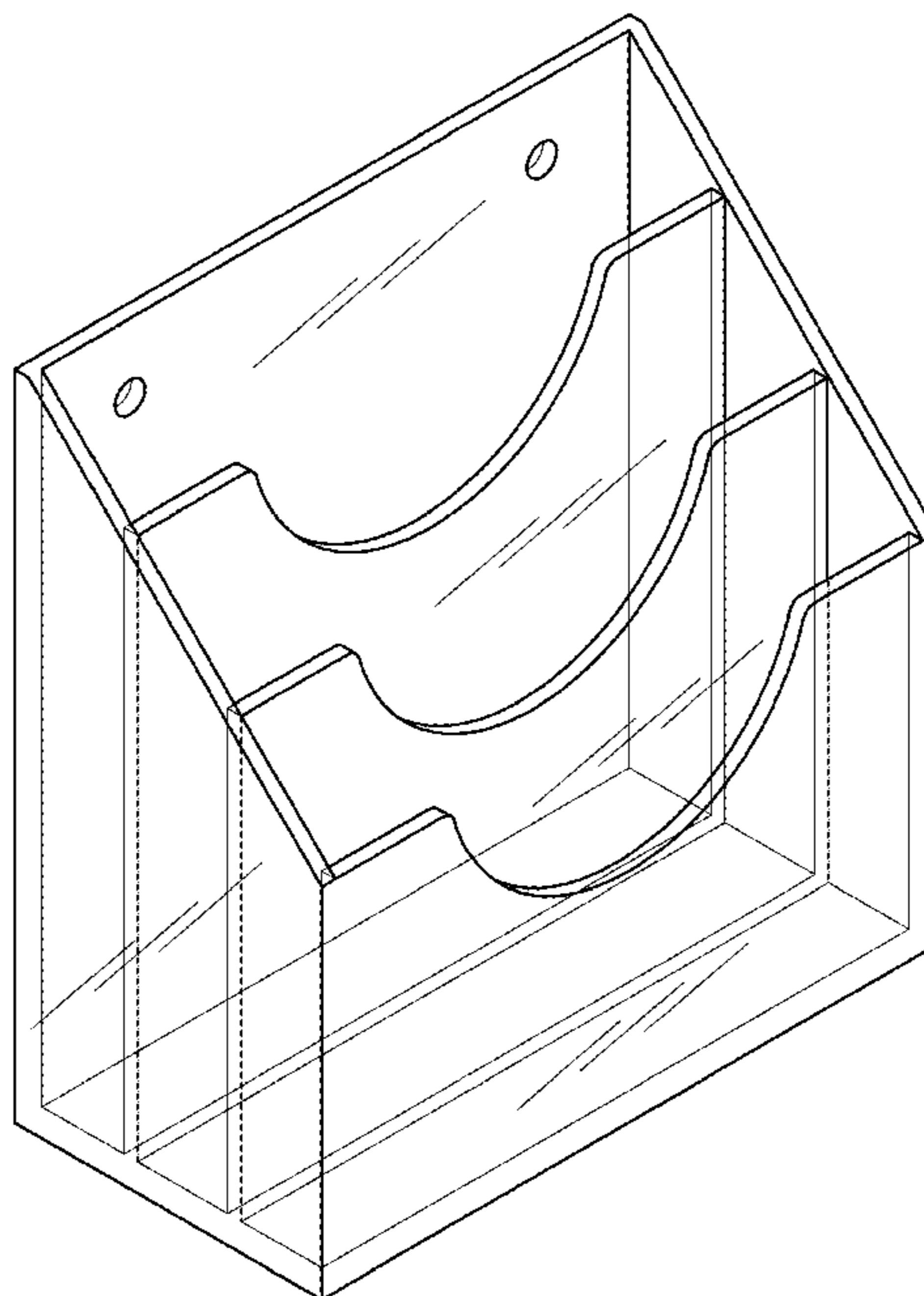
FIG. 4 is a bottom plan view of the organizer for re-sealable kitchen storage bags of FIG. 1;

FIG. 5 is a left side elevation view of the organizer for re-sealable kitchen storage bags of FIG. 1; the right side elevation being a mirror image thereof; and,

FIG. 6 is a front perspective view of the organizer for re-sealable kitchen storage bags.

All surface(s) or portion(s) of my design not shown in the figures or otherwise described in the specification form no part of the claimed design.

1 Claim, 3 Drawing Sheets



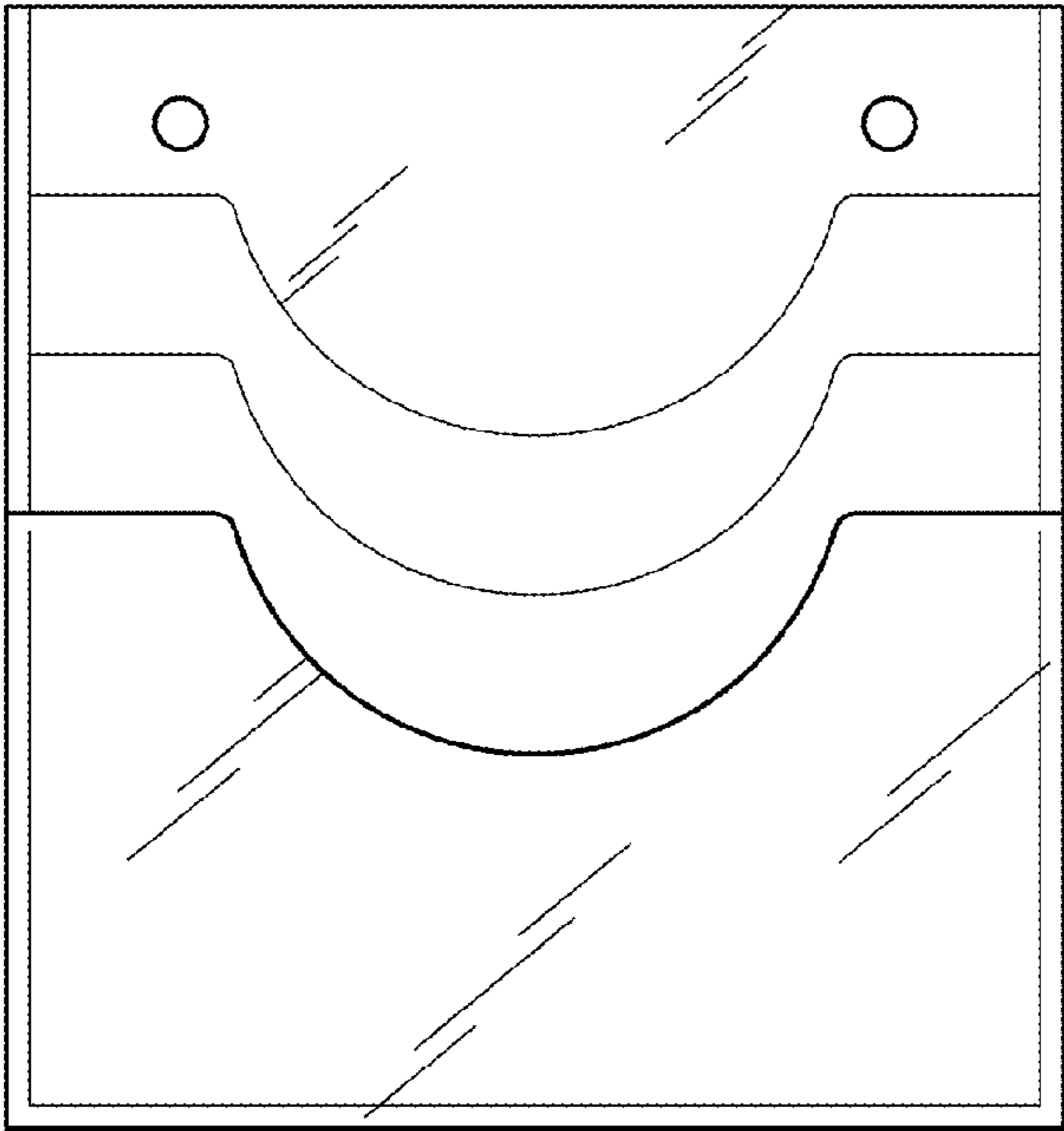


FIG. 1

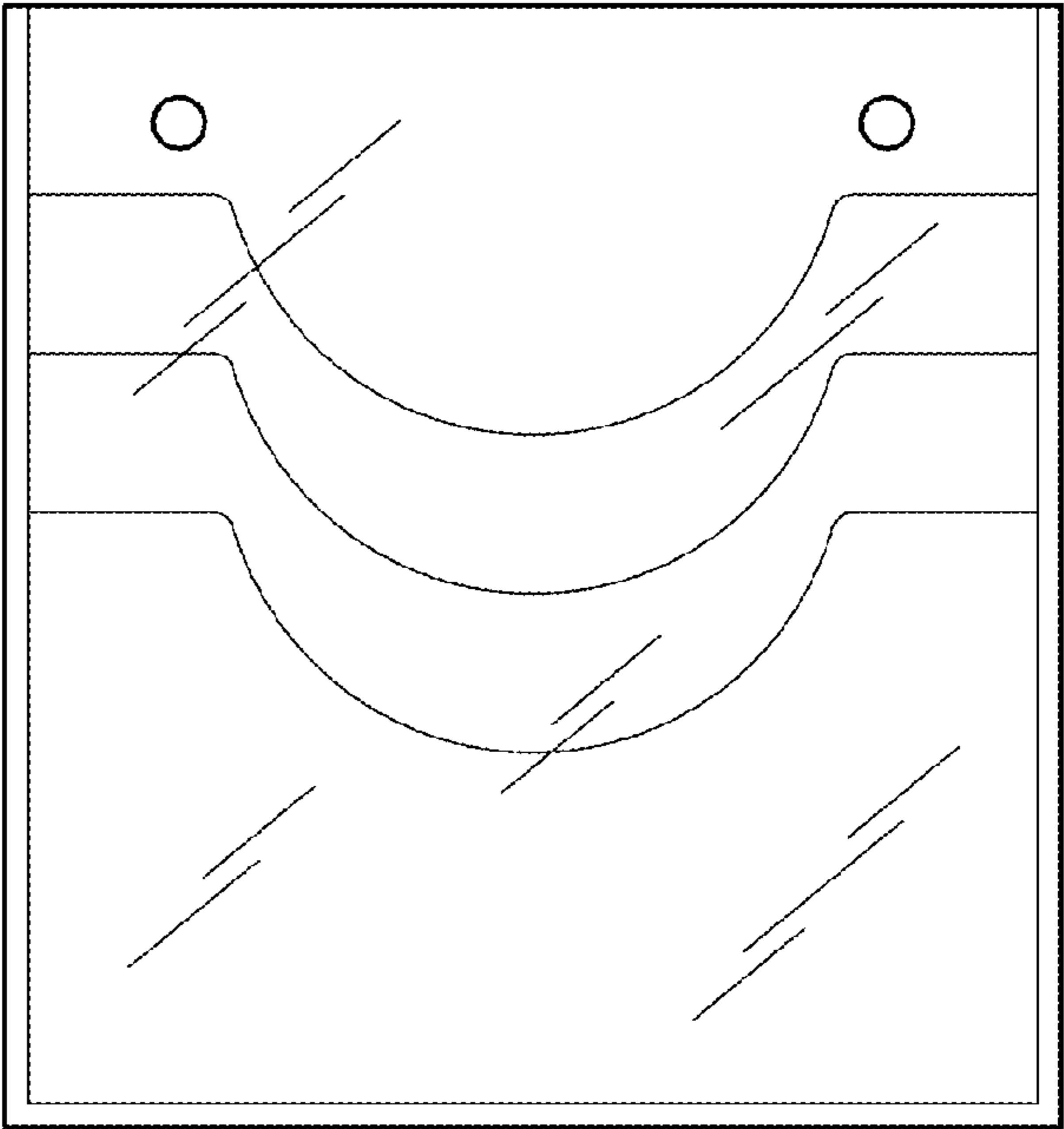


FIG. 2

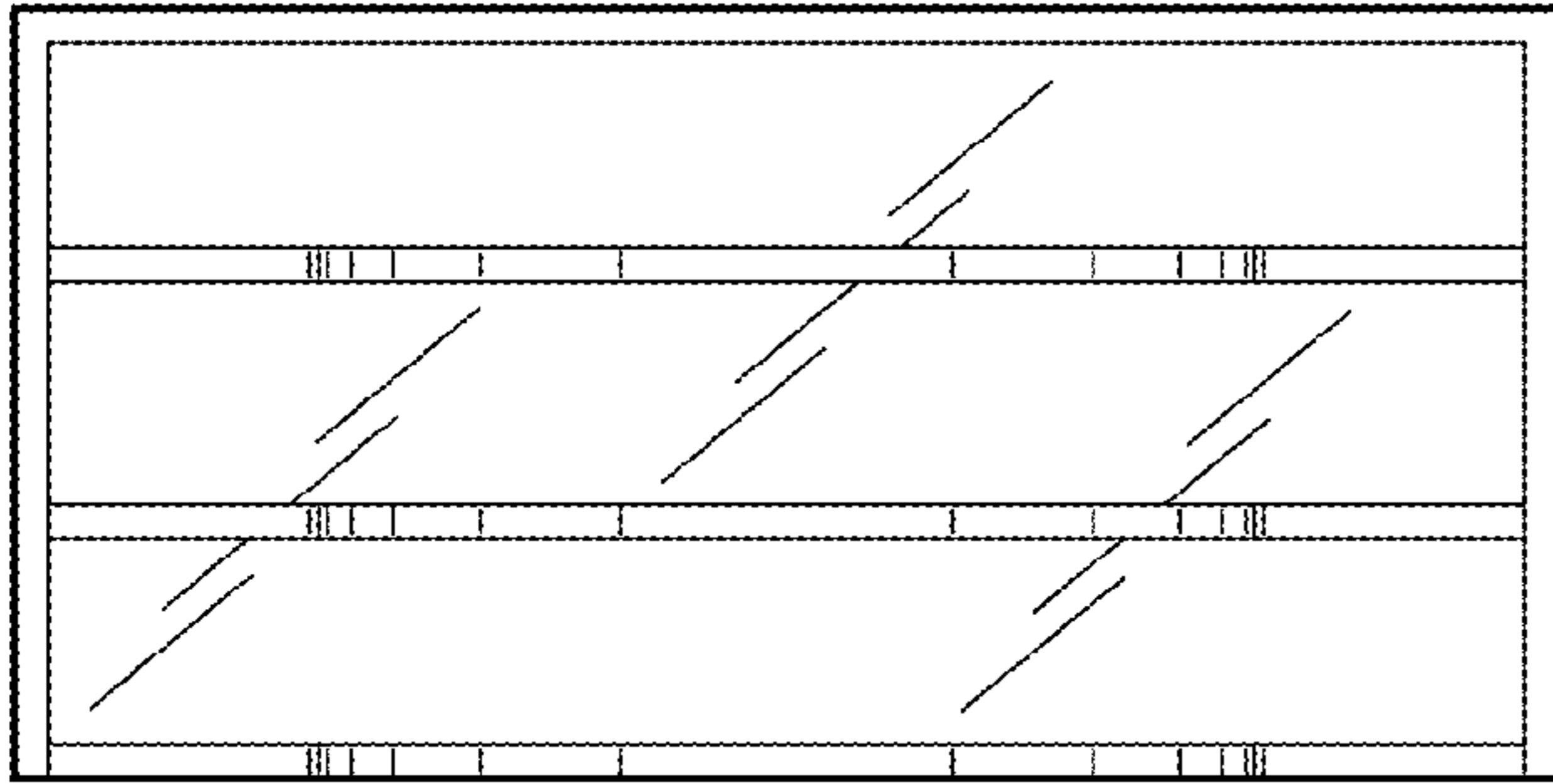


FIG. 3

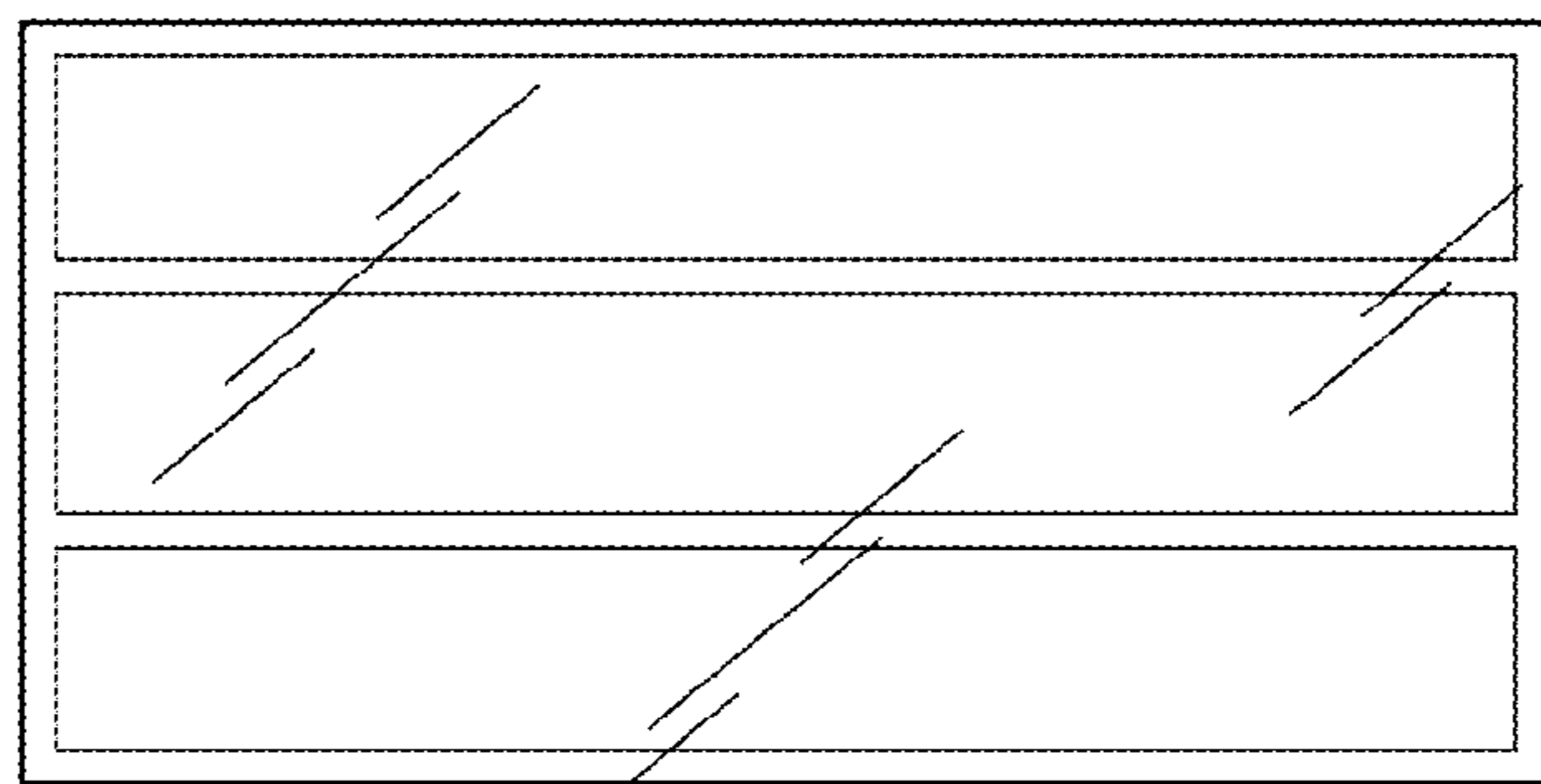


FIG. 4

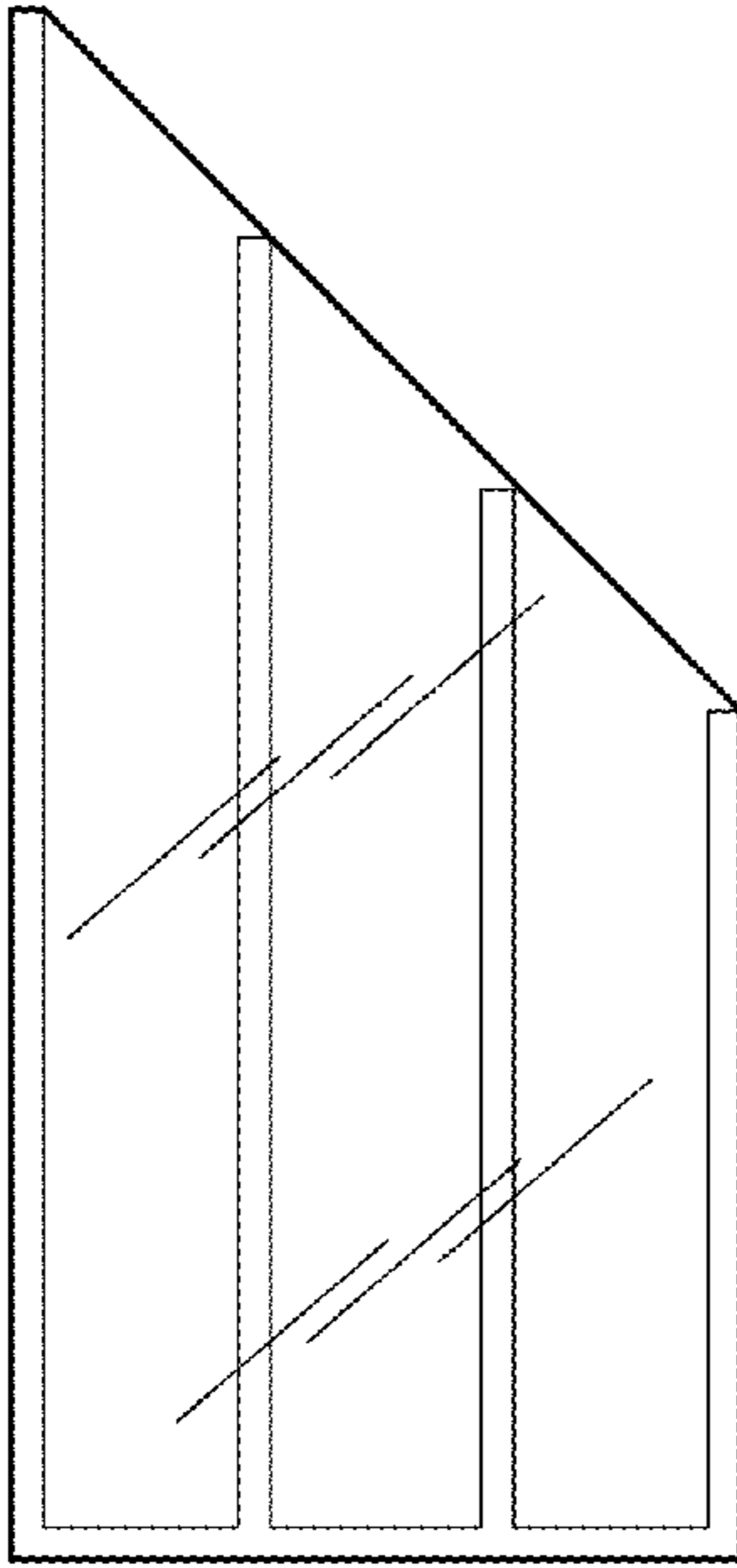


FIG. 5

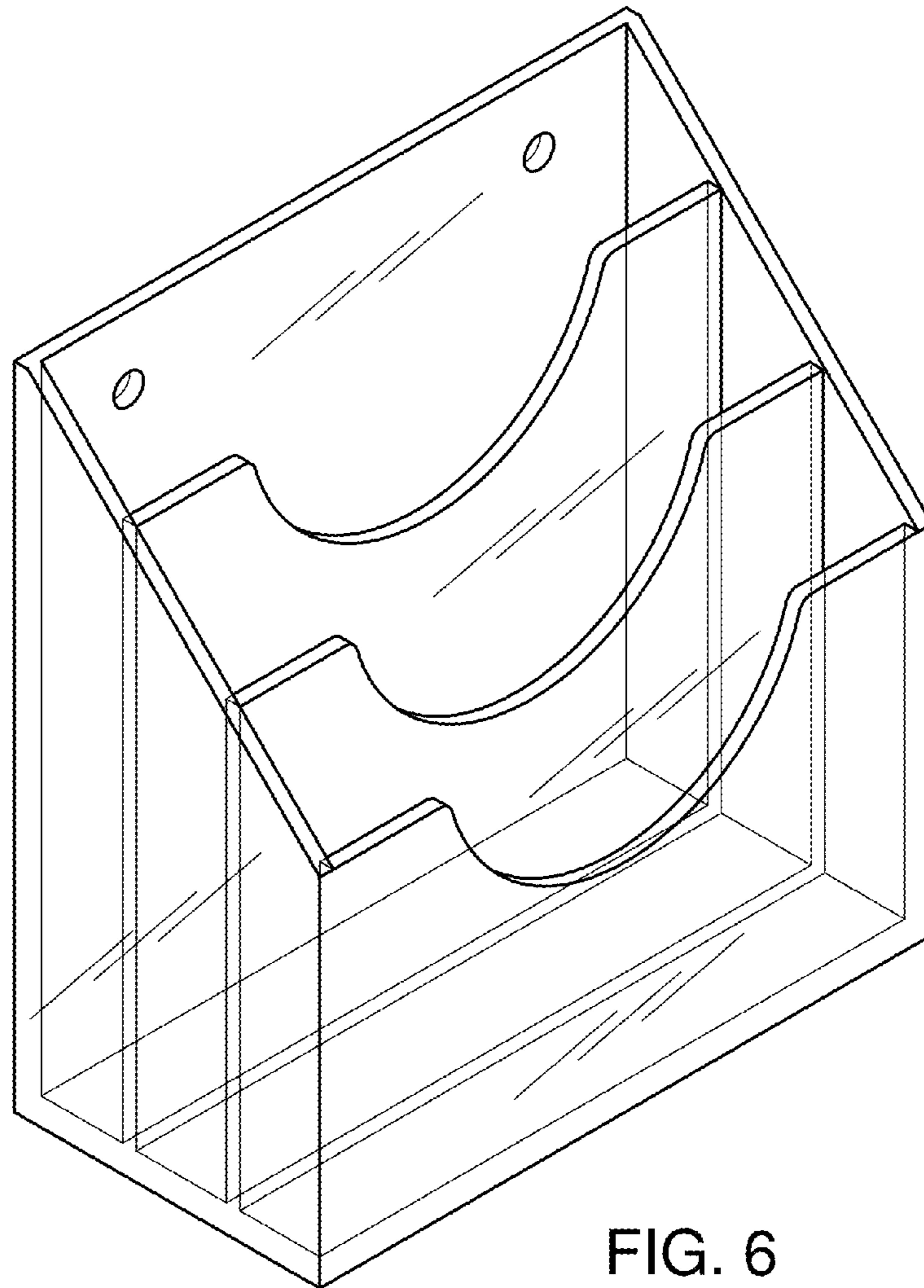


FIG. 6