



US00D680783S

(12) **United States Design Patent**
Chang

(10) **Patent No.:** **US D680,783 S**

(45) **Date of Patent:** **** Apr. 30, 2013**

(54) **SUPPORT ACCESSORY**

(75) Inventor: **Jim Chang**, San Leandro, CA (US)

(73) Assignee: **Gatco, Inc.**, San Leandro, CA (US)

(**) Term: **14 Years**

(21) Appl. No.: **29/432,439**

(22) Filed: **Sep. 14, 2012**

(51) **LOC (9) Cl.** **06-04**

(52) **U.S. Cl.**
USPC **D6/550**

(58) **Field of Classification Search** D6/518-524,
D6/546-550; D8/300, 370, 315; 108/28-29;
211/13.1, 16, 85.5, 86.01, 87.01, 88.04, 100,
211/105.1, 105.2, 106, 113, 123, 181.1, 182-183;
248/49, 175, 176.1, 200, 201, 205.1, 251,
248/302, 309.1, 315; 242/570, 590, 595-598
See application file for complete search history.

(56) **References Cited**

U.S. PATENT DOCUMENTS

D281,838 S *	12/1985	Thompson	D6/546
D293,184 S *	12/1987	Chap	D6/546
D463,938 S *	10/2002	Lee Wang	D6/550
D484,722 S *	1/2004	Goodman et al.	D6/546
D498,099 S *	11/2004	Chen	D6/524
D521,292 S *	5/2006	Ferrer Beltran	D6/546
D528,839 S *	9/2006	Kirar	D6/550

D561,508 S *	2/2008	Guo	D6/524
D569,713 S *	5/2008	Sandidge	D6/550
D609,515 S *	2/2010	Krumpe	D6/550

* cited by examiner

Primary Examiner — Brian N Vinson

(74) *Attorney, Agent, or Firm* — Muncy, Geissler, Olds & Lowe, PLLC

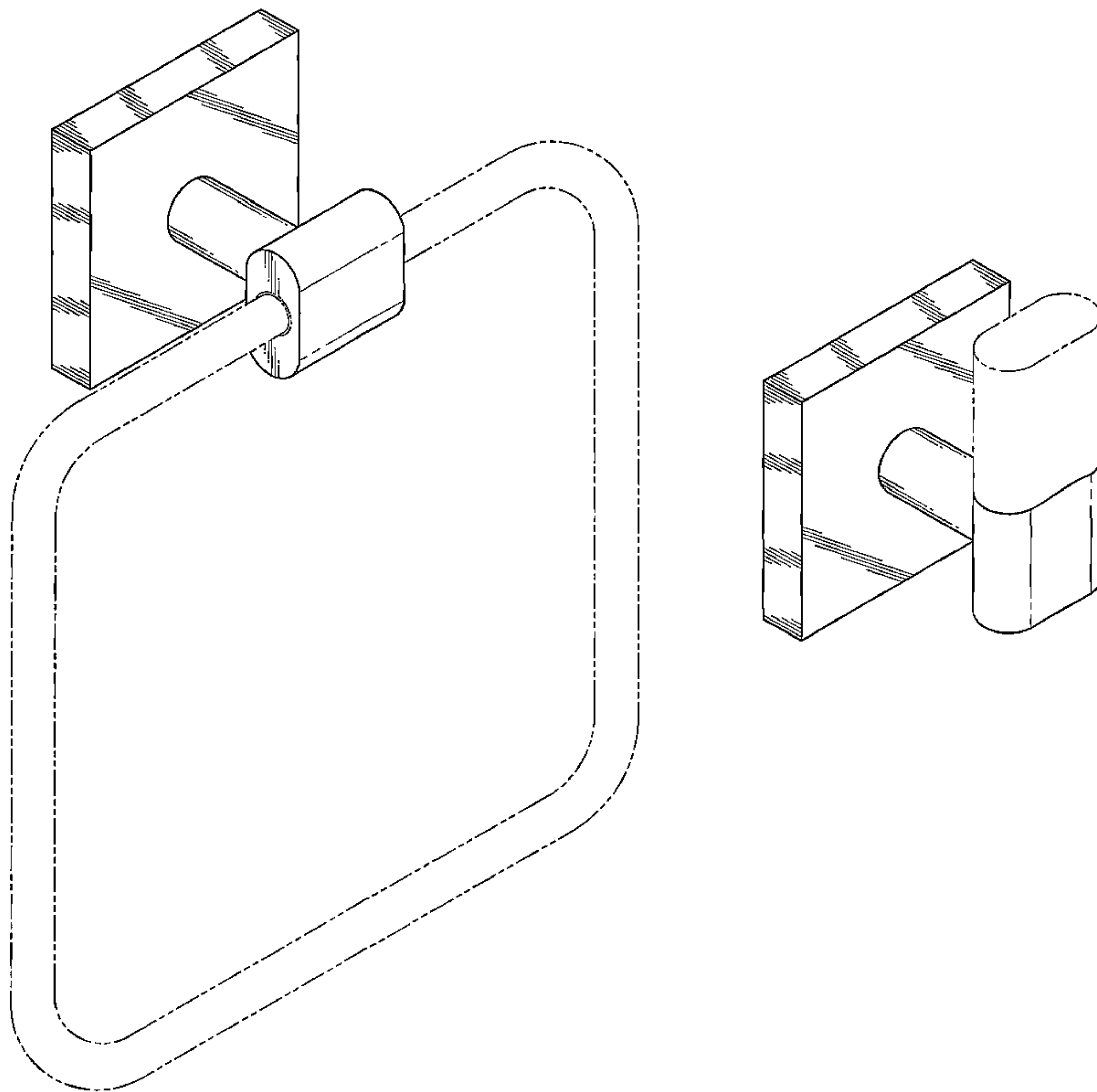
(57) **CLAIM**

The ornamental design for a support accessory, as shown and described.

DESCRIPTION

FIG. 1 is a top, front, and left side perspective view of a first embodiment of a support accessory showing my new design; FIG. 2 is a front elevation view thereof; FIG. 3 is a left side elevation view thereof, the right side being a mirror image of that shown; FIG. 4 is a top plan view thereof, the bottom being a mirror image of that shown; FIG. 5 is an additional top, front, and left side perspective view thereof, with the broken-line disclosure of a towel ring being for illustrative purposes only and forming no part of the claimed design; and, FIG. 6 is a top, front, and left side perspective view of a second embodiment of a support accessory, with the broken-line disclosure of a robe hook being for illustrative purposes only and forming no part of the claimed design.

1 Claim, 4 Drawing Sheets



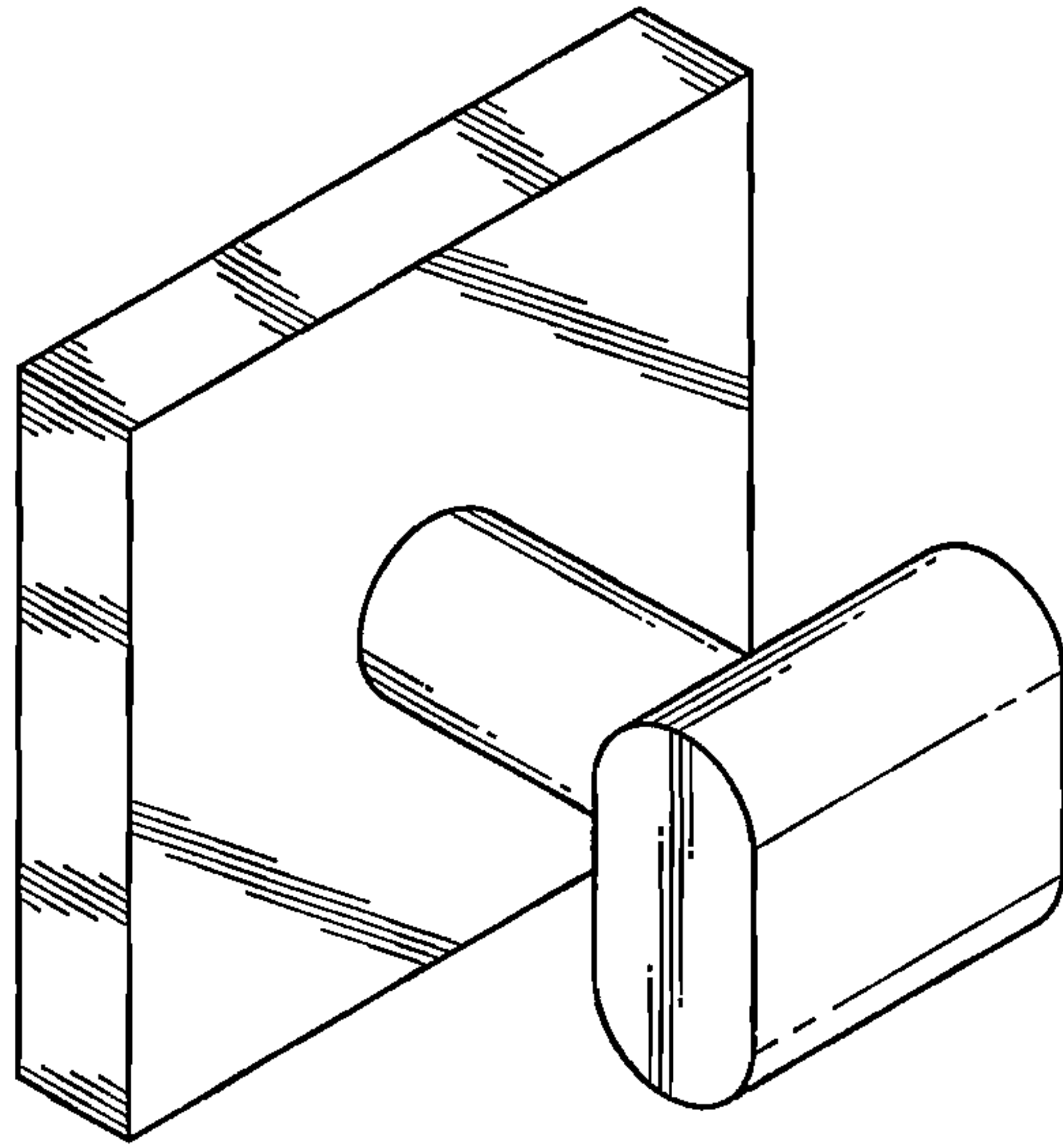


FIG. 1

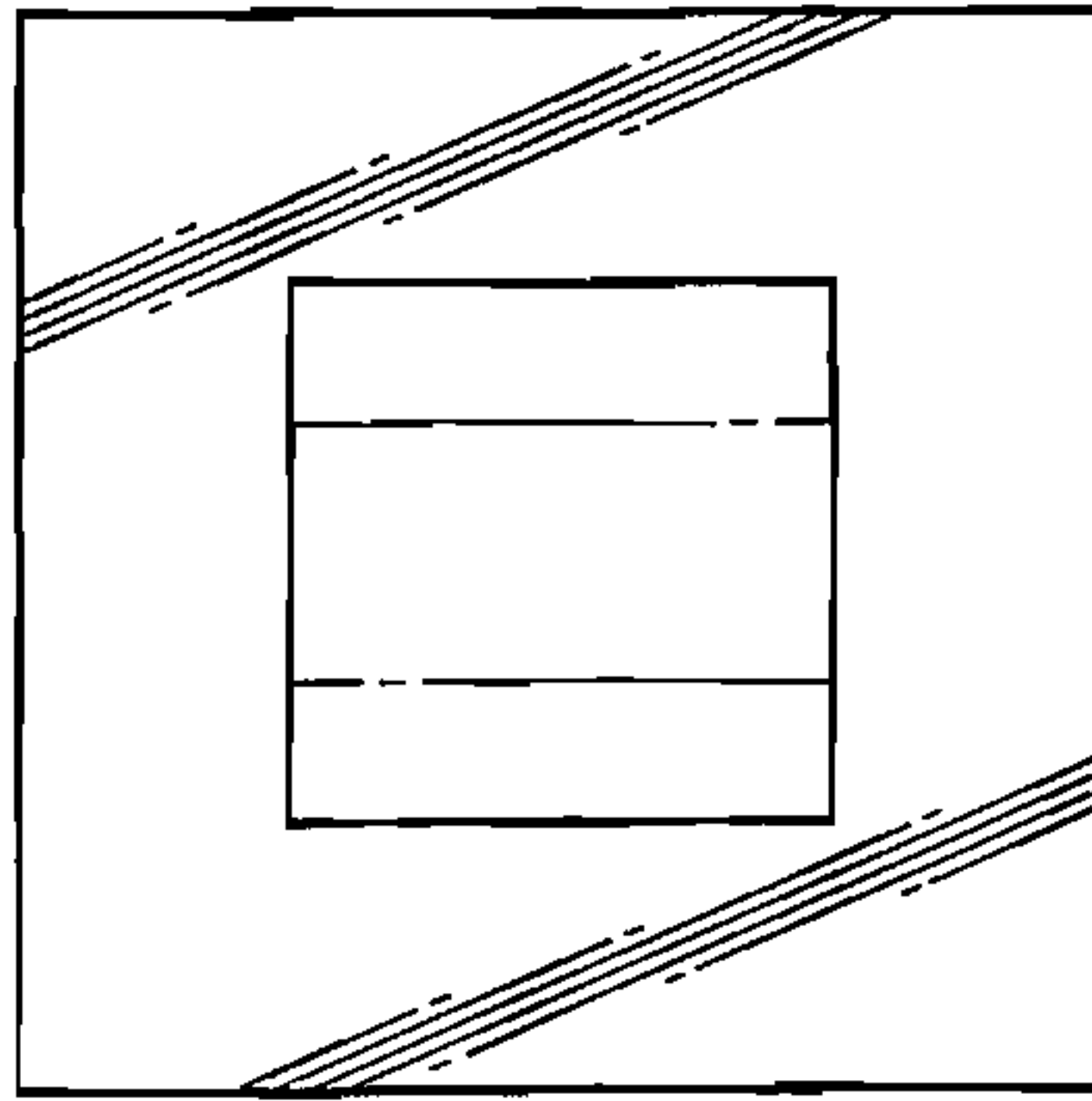


FIG. 2

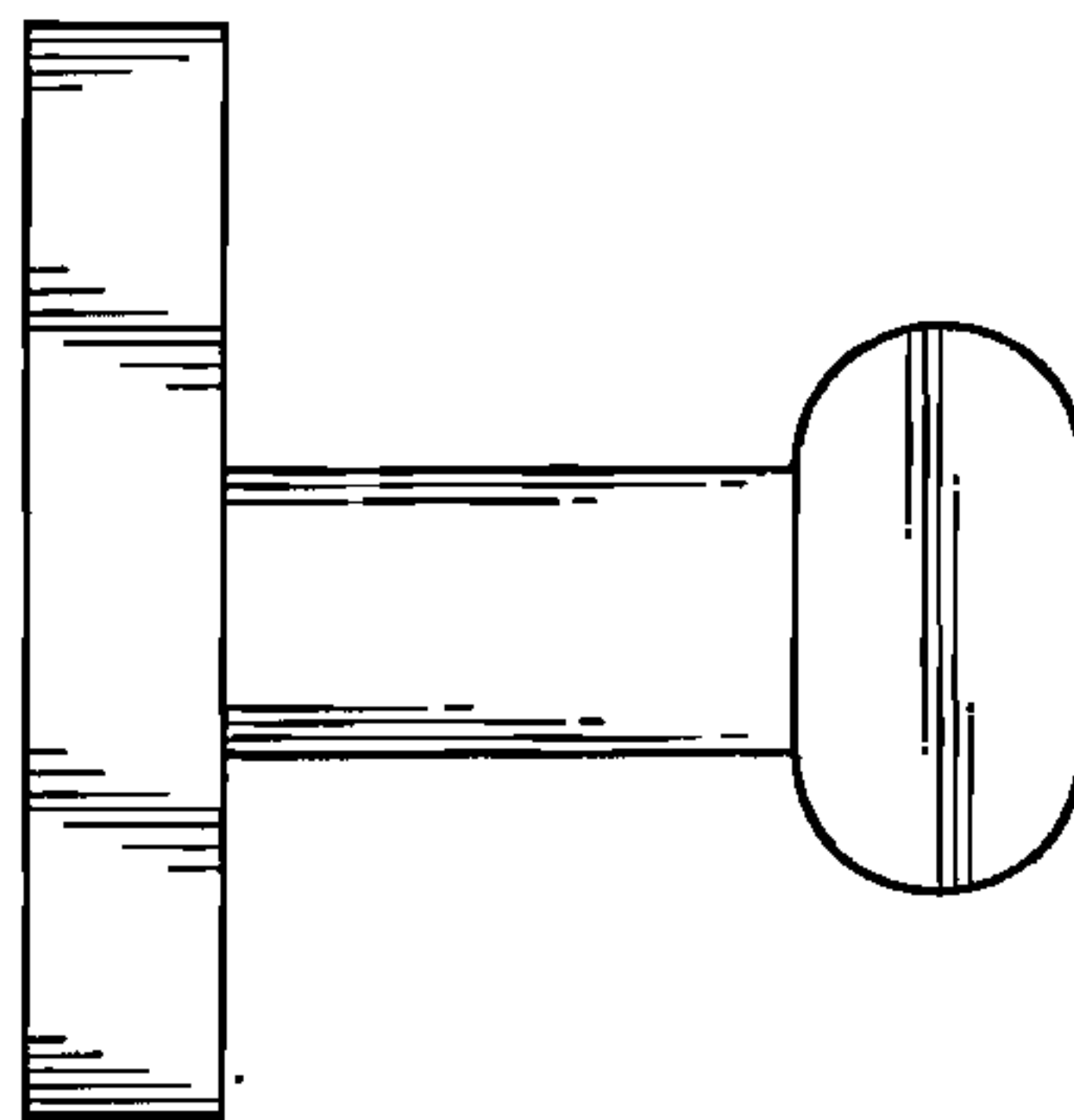


FIG. 3

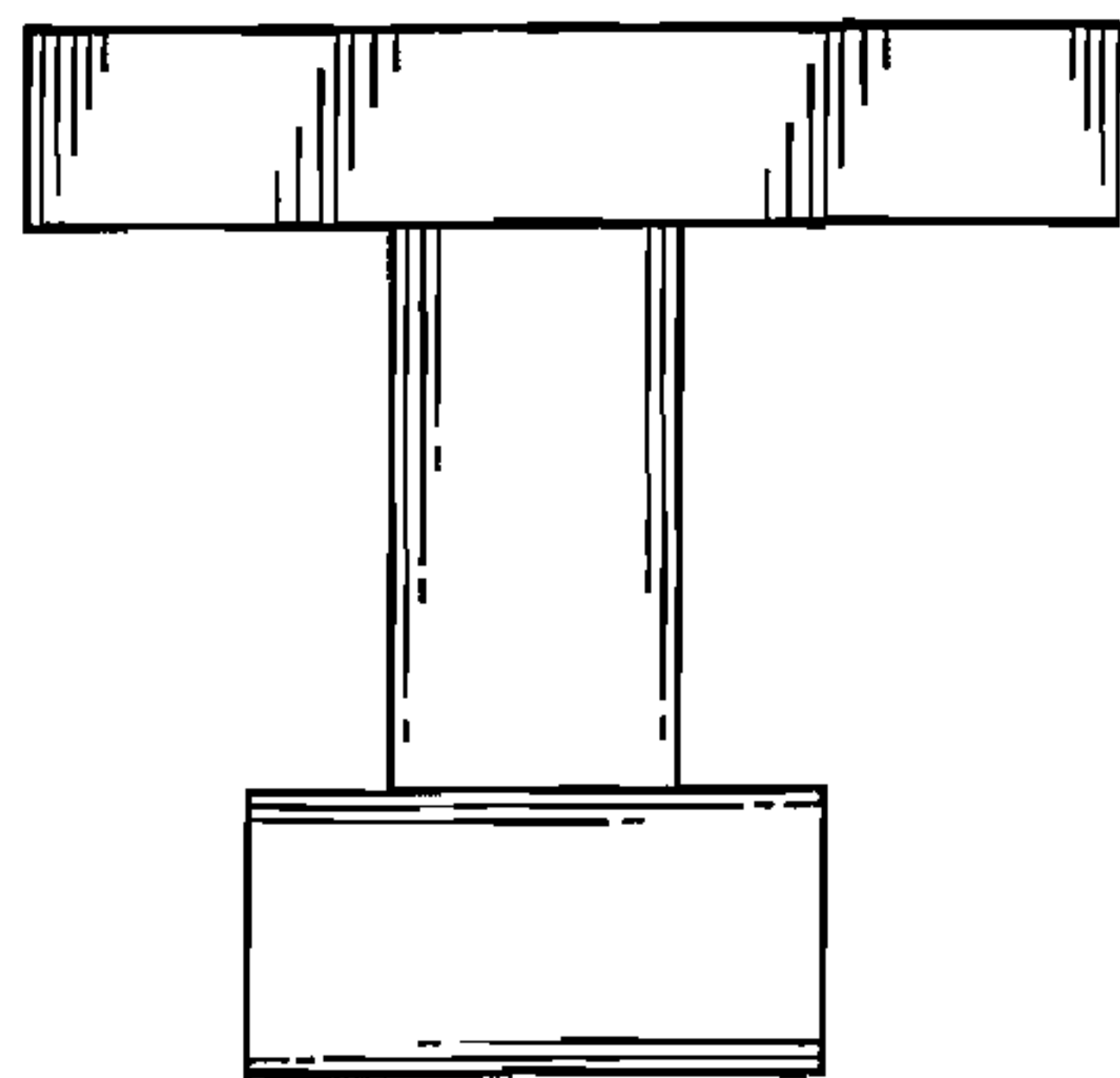


FIG. 4

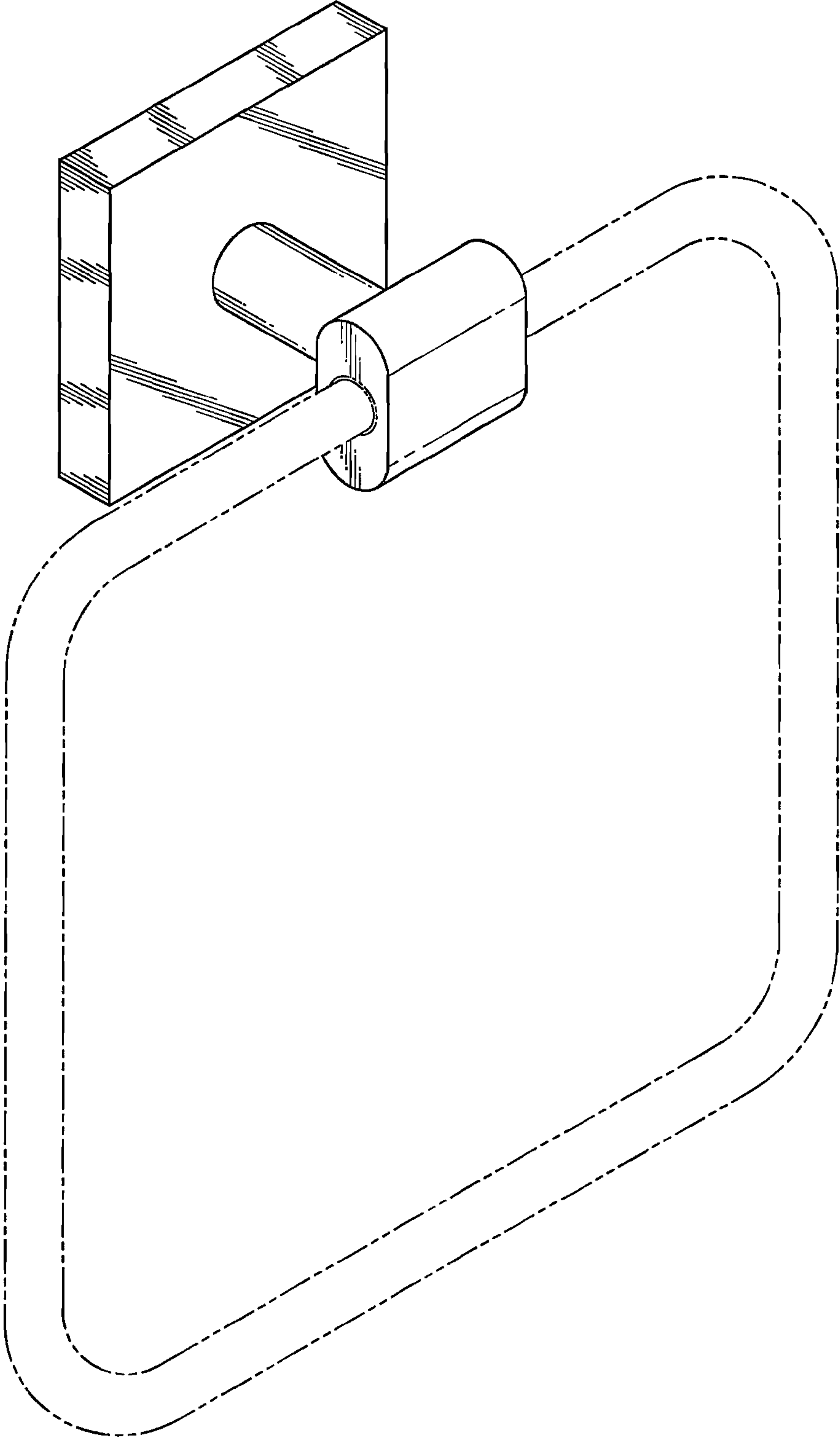


FIG. 5

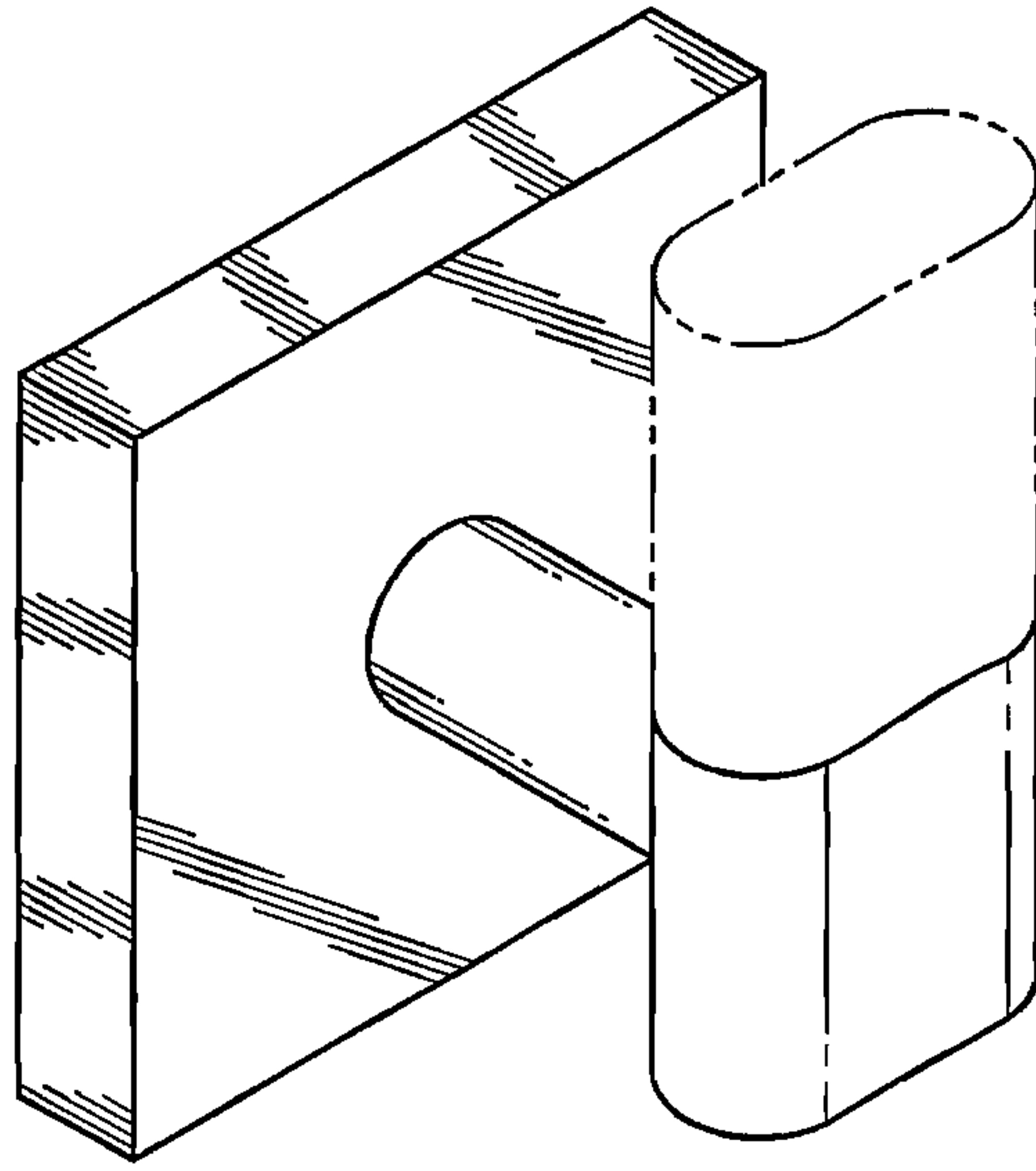


FIG. 6