



US00D680781S

(12) **United States Design Patent**  
**Marshall**

(10) **Patent No.:** **US D680,781 S**

(45) **Date of Patent:** **\*\* Apr. 30, 2013**

(54) **DISPENSER**

(75) **Inventor:** **Aaron Marshall**, Uniontown, OH (US)

(73) **Assignee:** **State Industrial Products Corporation**,  
Cleveland, OH (US)

(\*\*) **Term:** **14 Years**

(21) **Appl. No.:** **29/431,581**

(22) **Filed:** **Sep. 10, 2012**

(51) **LOC (9) Cl.** ..... **23-02**

(52) **U.S. Cl.**

USPC ..... **D6/545**

(58) **Field of Classification Search** ..... D6/542-545;  
221/208, 282, 283; 222/105, 173, 180, 181.1,  
222/181.2, 181.3

See application file for complete search history.

(56) **References Cited**

U.S. PATENT DOCUMENTS

D445,284 S *	7/2001	Chen .....	D6/545
D594,260 S *	6/2009	Pattberg .....	D6/545
D628,421 S *	12/2010	Ophardt et al. ....	D6/545
D637,848 S *	5/2011	Kramer et al. ....	D6/545

\* cited by examiner

*Primary Examiner* — Brian N Vinson

(74) *Attorney, Agent, or Firm* — Pearne & Gordon LLP

(57) **CLAIM**

The ornamental design for a dispenser, as shown and described.

**DESCRIPTION**

FIG. 1 is a front perspective view of a dispenser;  
FIG. 2 is a front view of the dispenser of FIG. 1;  
FIG. 3 is a back view of the dispenser of FIG. 1;  
FIG. 4 is a right side view of the dispenser of FIG. 1, the left side view being a mirror image of FIG. 4;  
FIG. 5 is a top view of the dispenser of FIG. 1; and,  
FIG. 6 is a bottom view of the dispenser of FIG. 1.  
The broken-line disclosure in the views is intended to provide context for the claimed design, but forms no part of the claim.

**1 Claim, 5 Drawing Sheets**

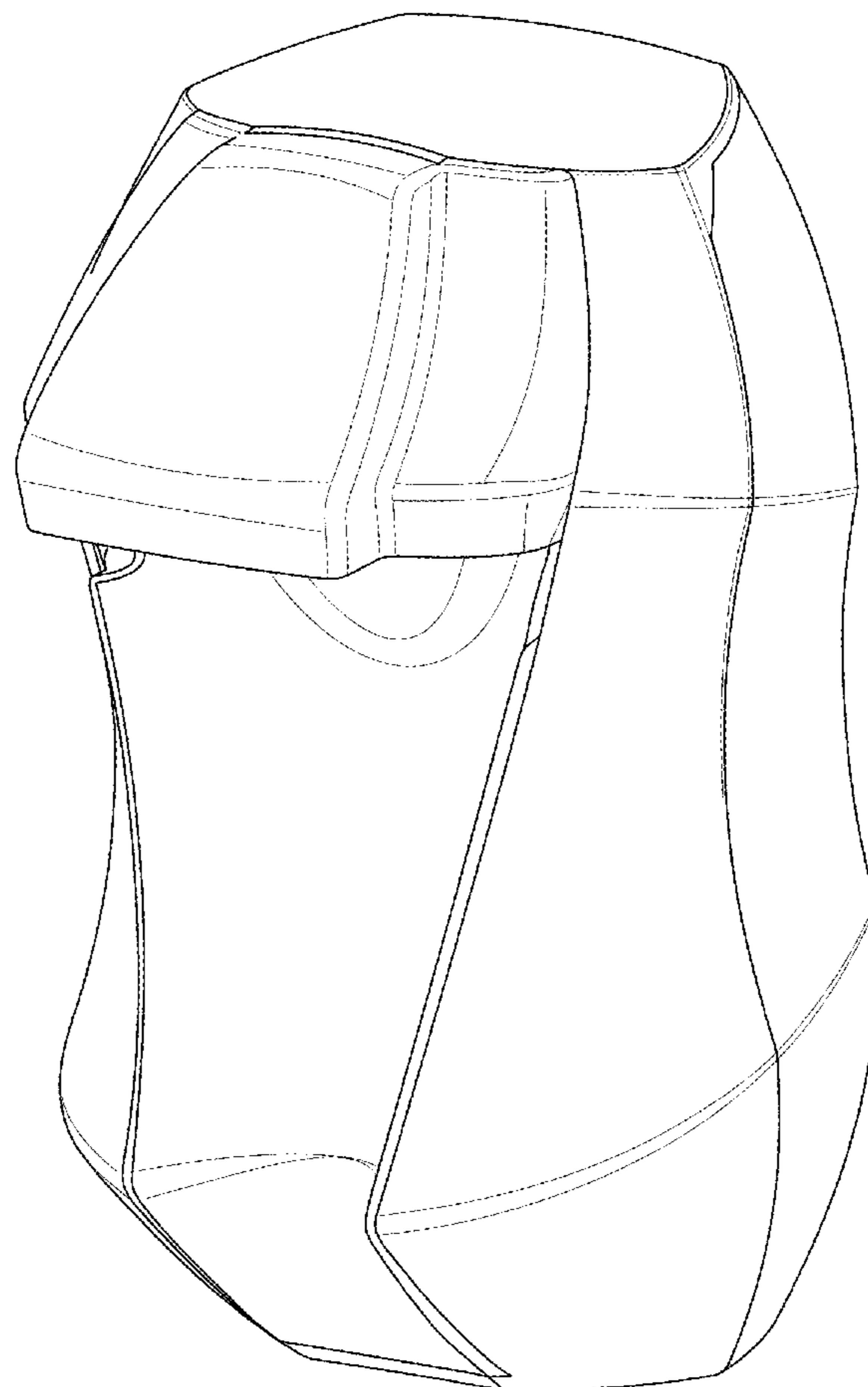




FIG. 1

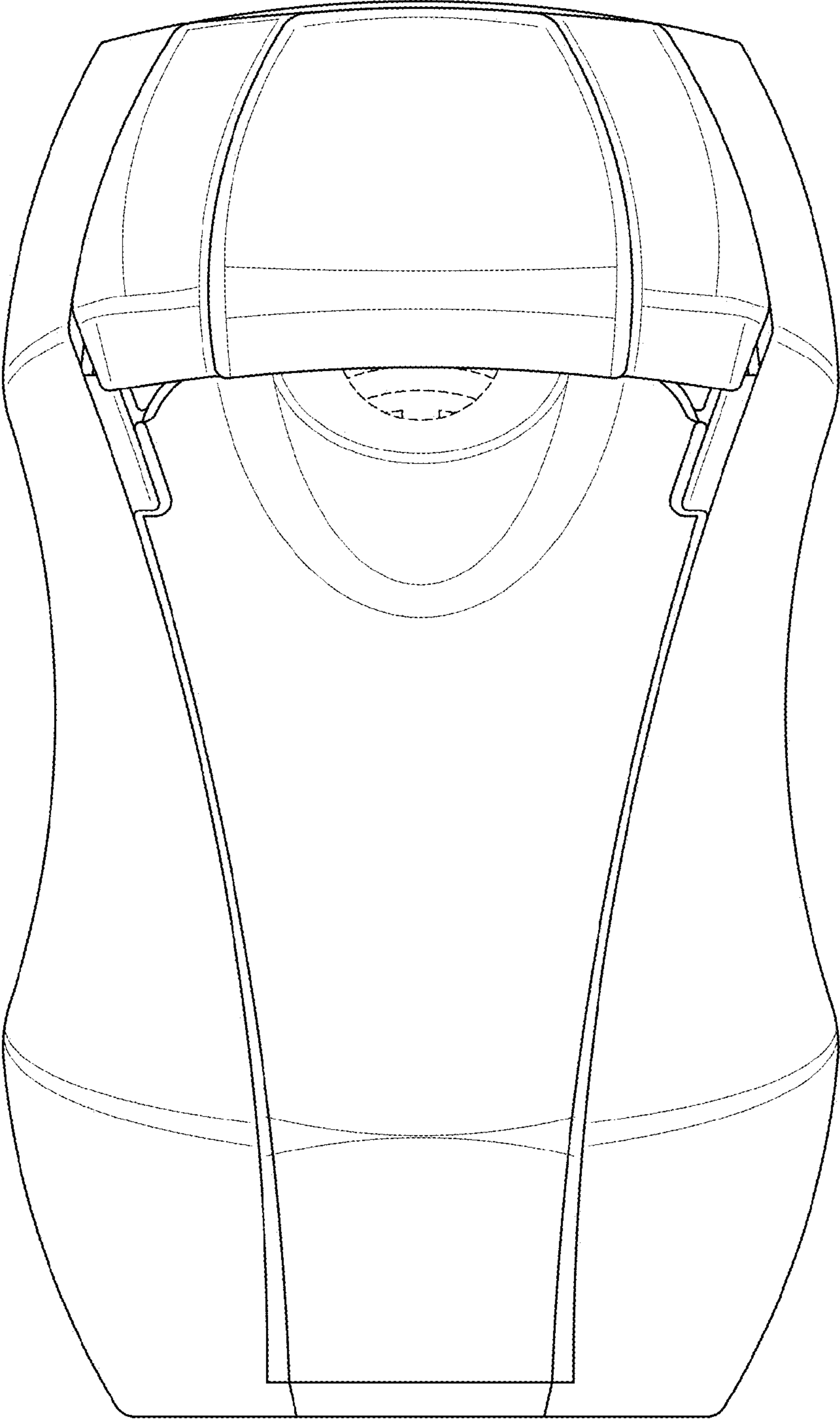


FIG. 2

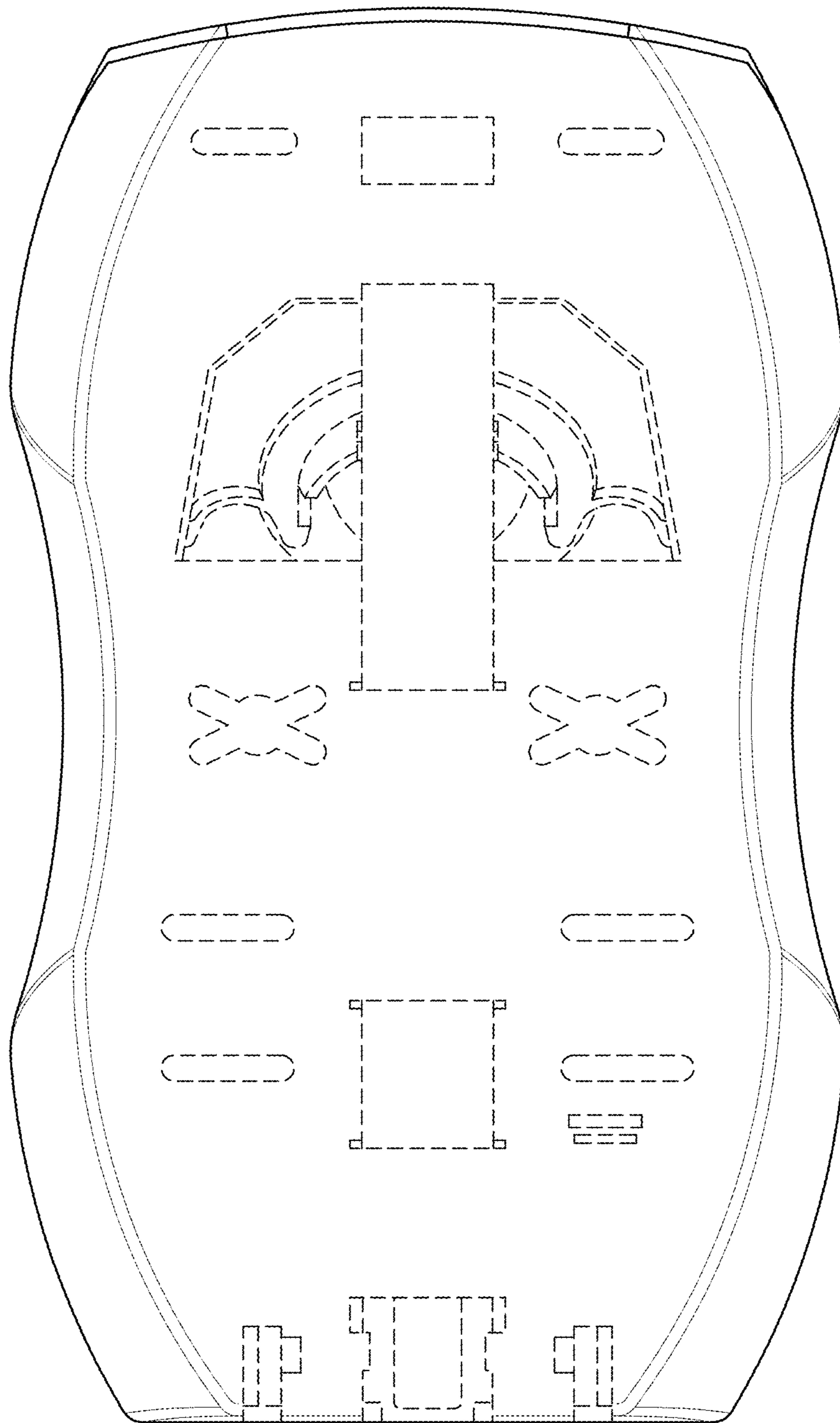


FIG. 3

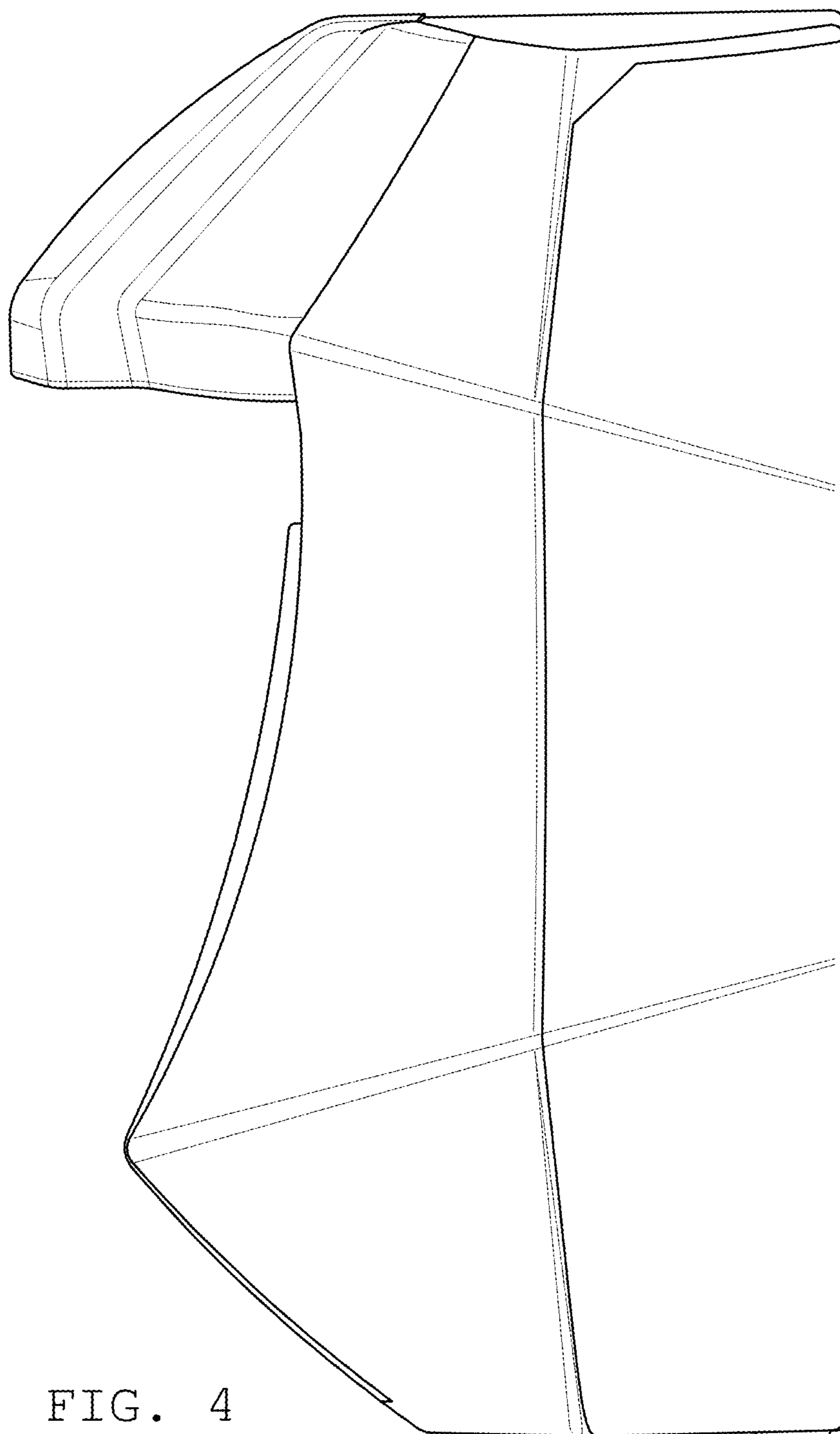


FIG. 4

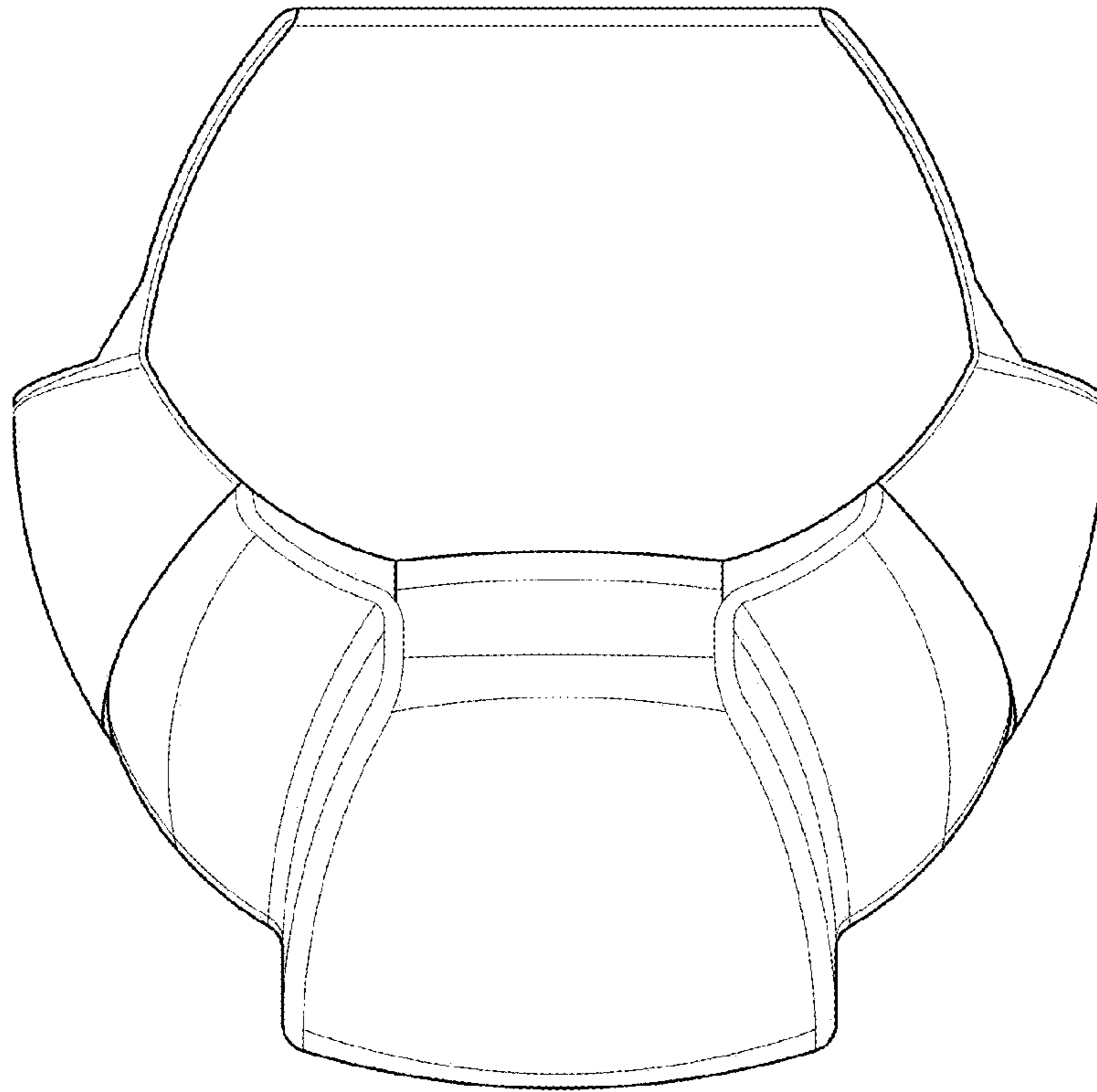


FIG. 5

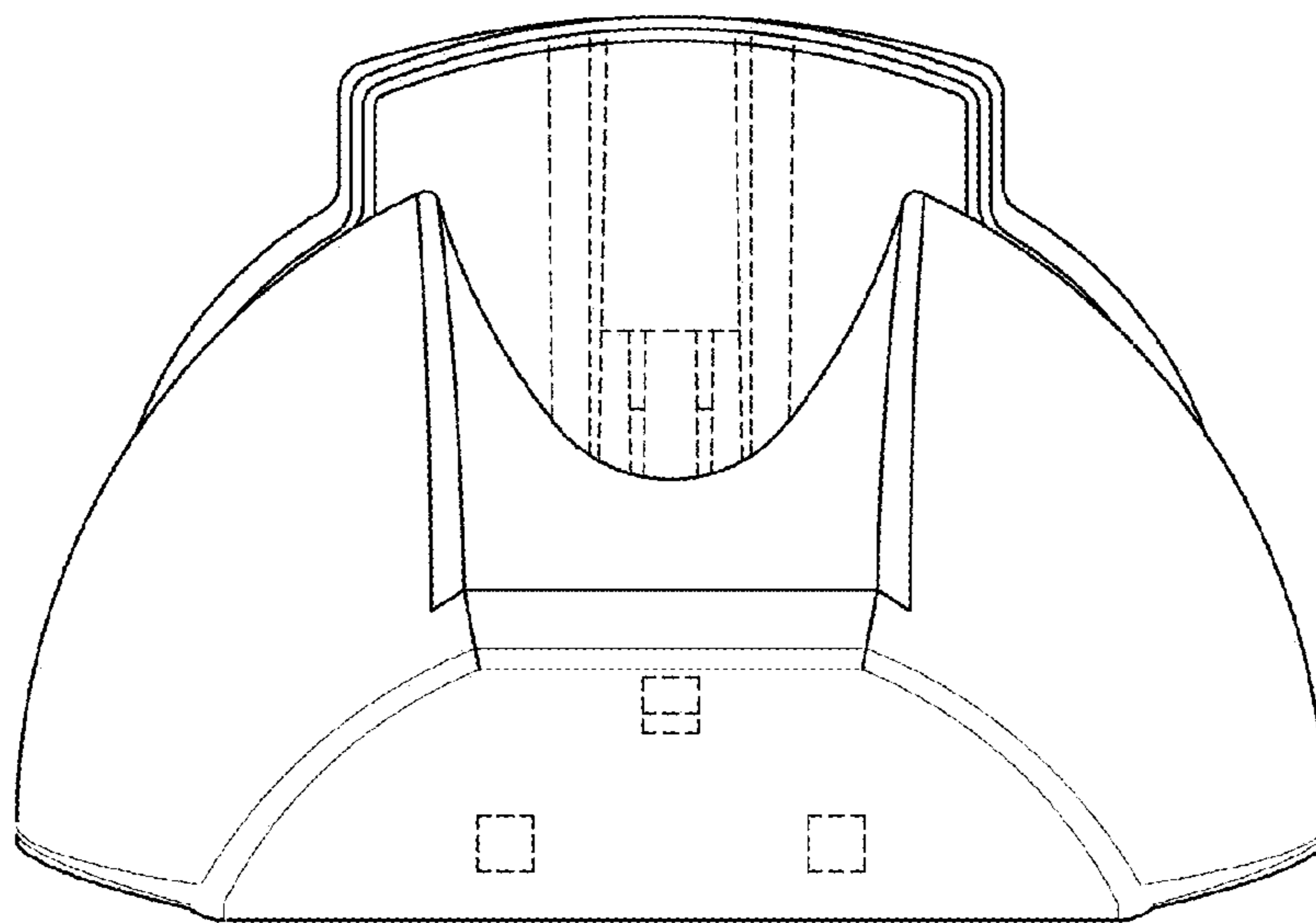


FIG. 6