



US00D680776S

(12) **United States Design Patent**
Orr

(10) **Patent No.:** **US D680,776 S**

(45) **Date of Patent:** **** Apr. 30, 2013**

(54) **TABLE**

| | | | | |
|--------------|--------|-----------|-------|--------|
| D469,635 S * | 2/2003 | Hirsch | | D6/480 |
| D520,269 S * | 5/2006 | Searl | | D6/480 |
| D586,155 S * | 2/2009 | Lenterman | | D6/480 |

(75) Inventor: **Ryan Orr**, Davenport, IA (US)

* cited by examiner

(73) Assignee: **Reform Designs**, Davenport, IA (US)

Primary Examiner — Janice Seeger

(**) Term: **14 Years**

(74) *Attorney, Agent, or Firm* — Hamilton IP Law, PC; Jay R. Hamilton; Charles A. Damschen

(21) Appl. No.: **29/414,464**

(57) **CLAIM**

(22) Filed: **Feb. 28, 2012**

The ornamental design for a table, as shown and described.

(51) **LOC (9) Cl.** **06-03**

DESCRIPTION

(52) **U.S. Cl.**

USPC **D6/484**

(58) **Field of Classification Search** D6/480–489,
D6/495–499, 442; 108/153.1, 155, 156,
108/157.1, 161; 248/188, 188.1, 188.8
See application file for complete search history.

FIG. 1 is a front perspective view showing my new design;
FIG. 2 is a front view thereof;
FIG. 3 is a rear view thereof;
FIG. 4 is a right side view thereof;
FIG. 5 is a left side view thereof;
FIG. 6 is a top view thereof;
FIG. 7 is a bottom view thereof; and,
FIG. 8 is another front view of my new design.

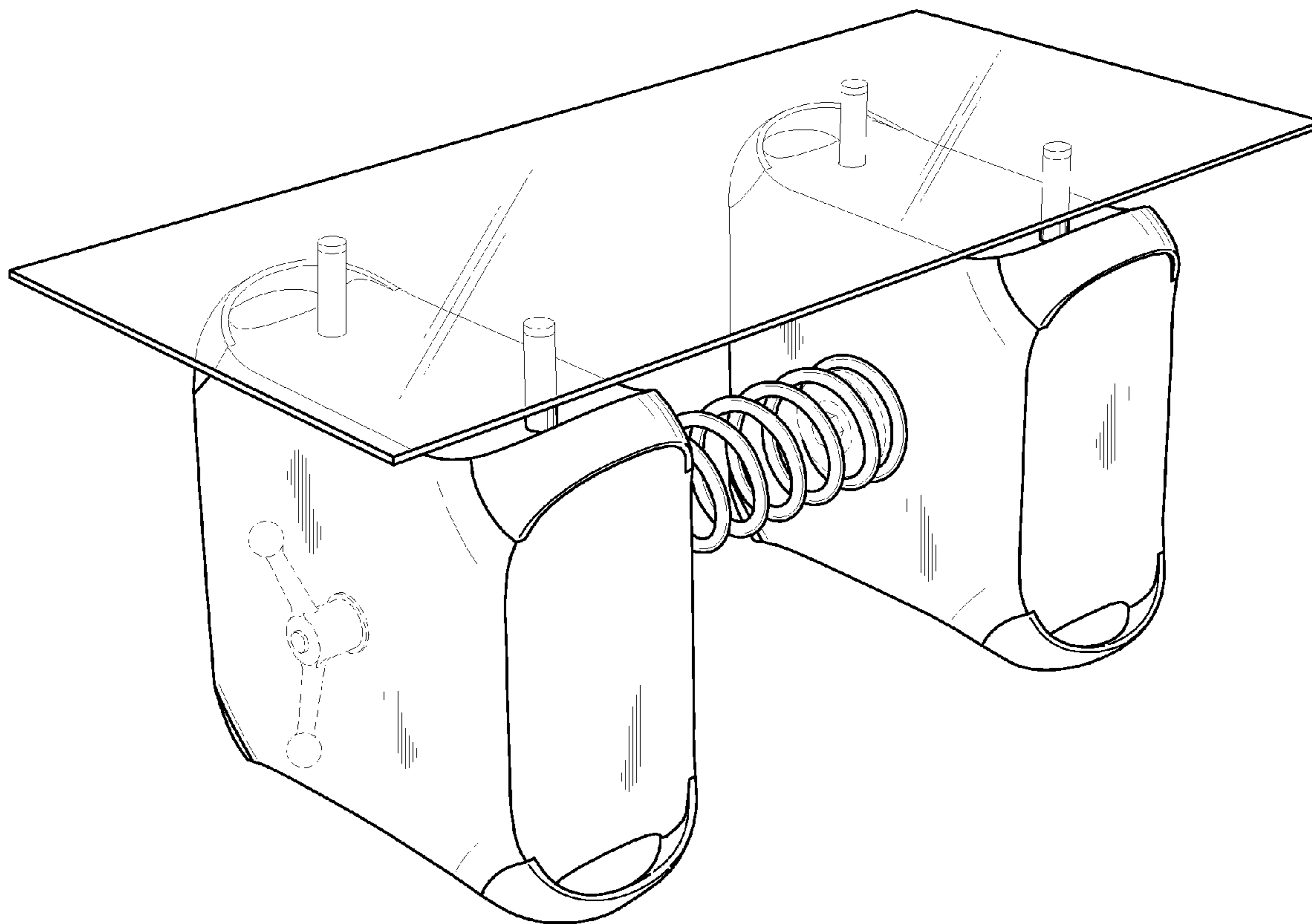
The broken lines in the Figures are for environment only and form no part of the claimed design.

(56) **References Cited**

U.S. PATENT DOCUMENTS

| | | | | |
|--------------|--------|--------|-------|--------|
| D302,771 S * | 8/1989 | Kubryk | | D6/480 |
| D313,908 S * | 1/1991 | Kubryk | | D6/480 |

1 Claim, 8 Drawing Sheets



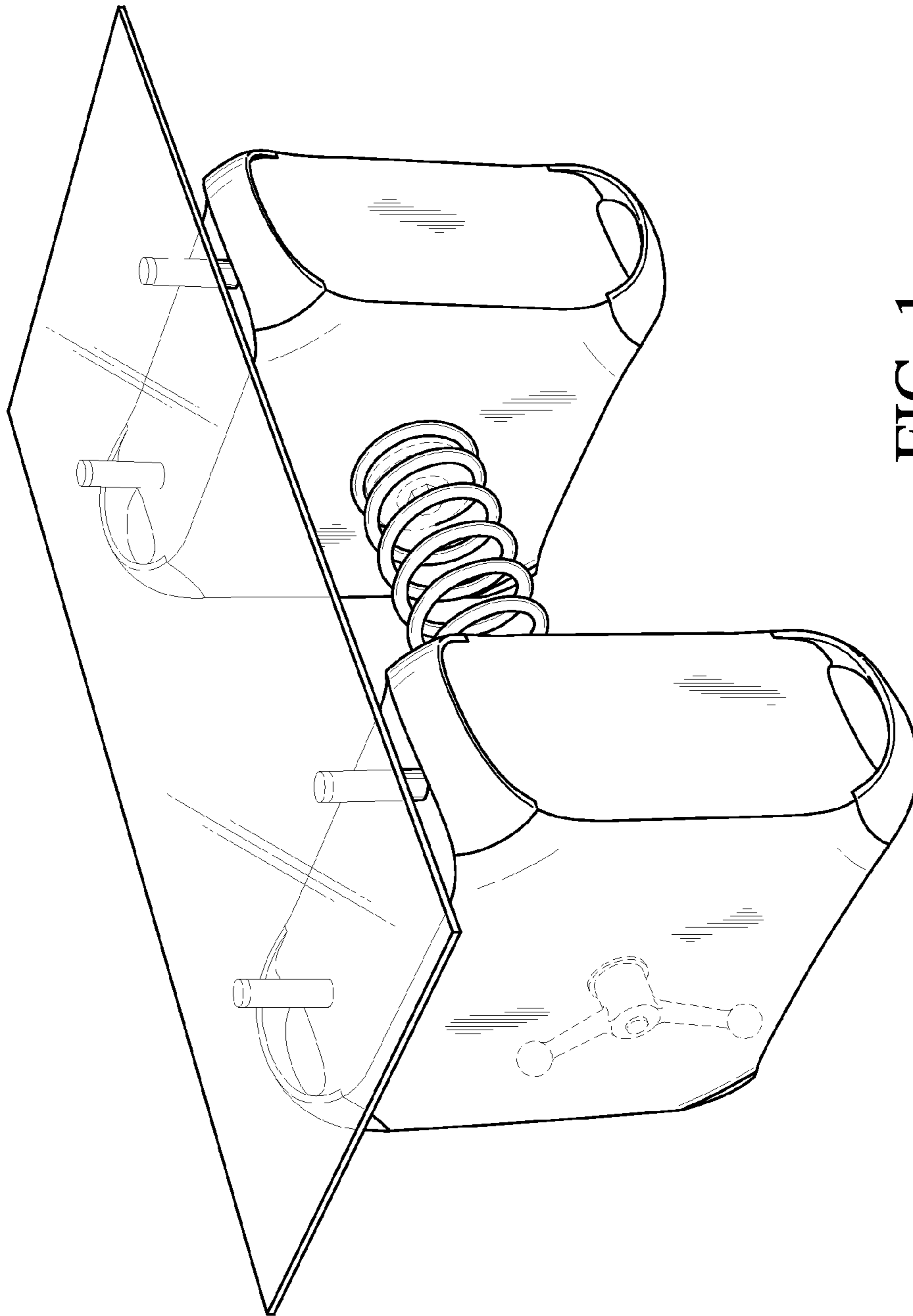


FIG. 1

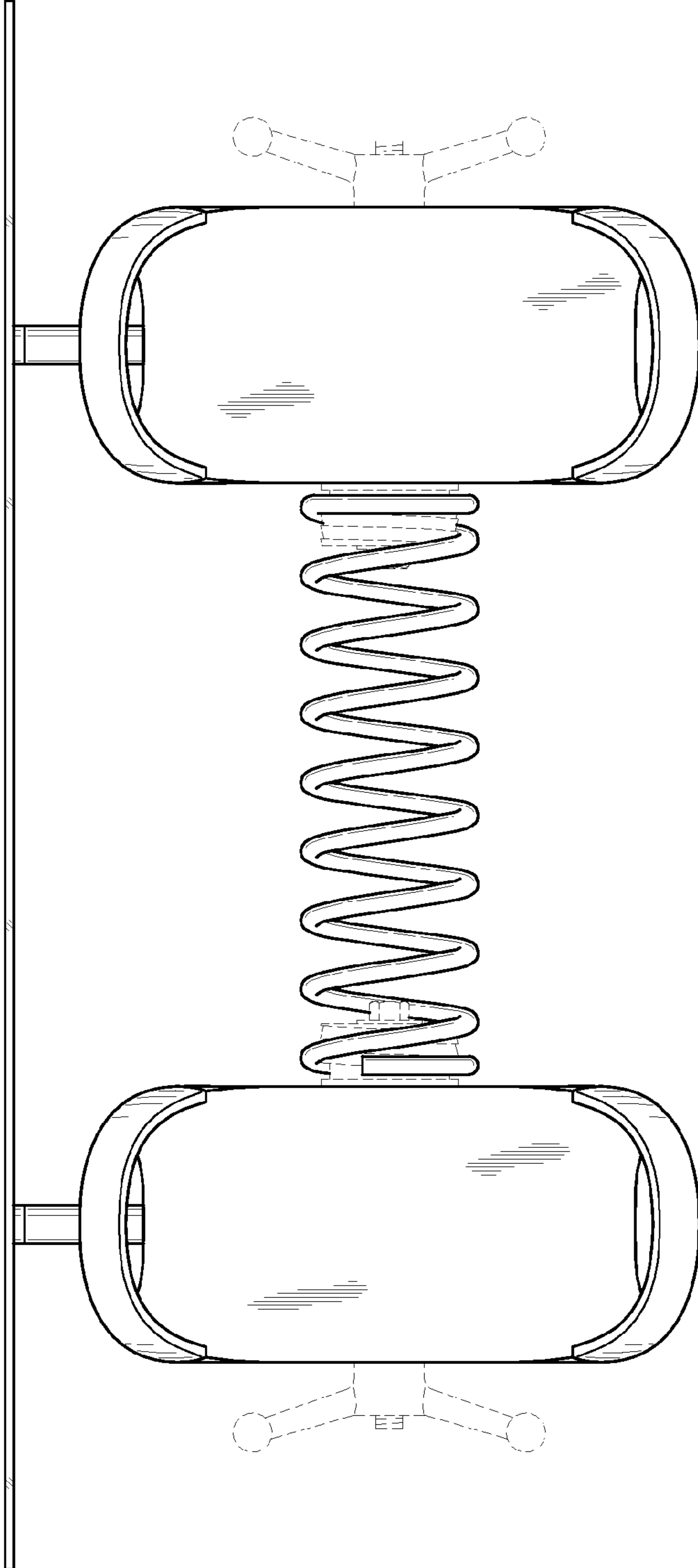


FIG. 2

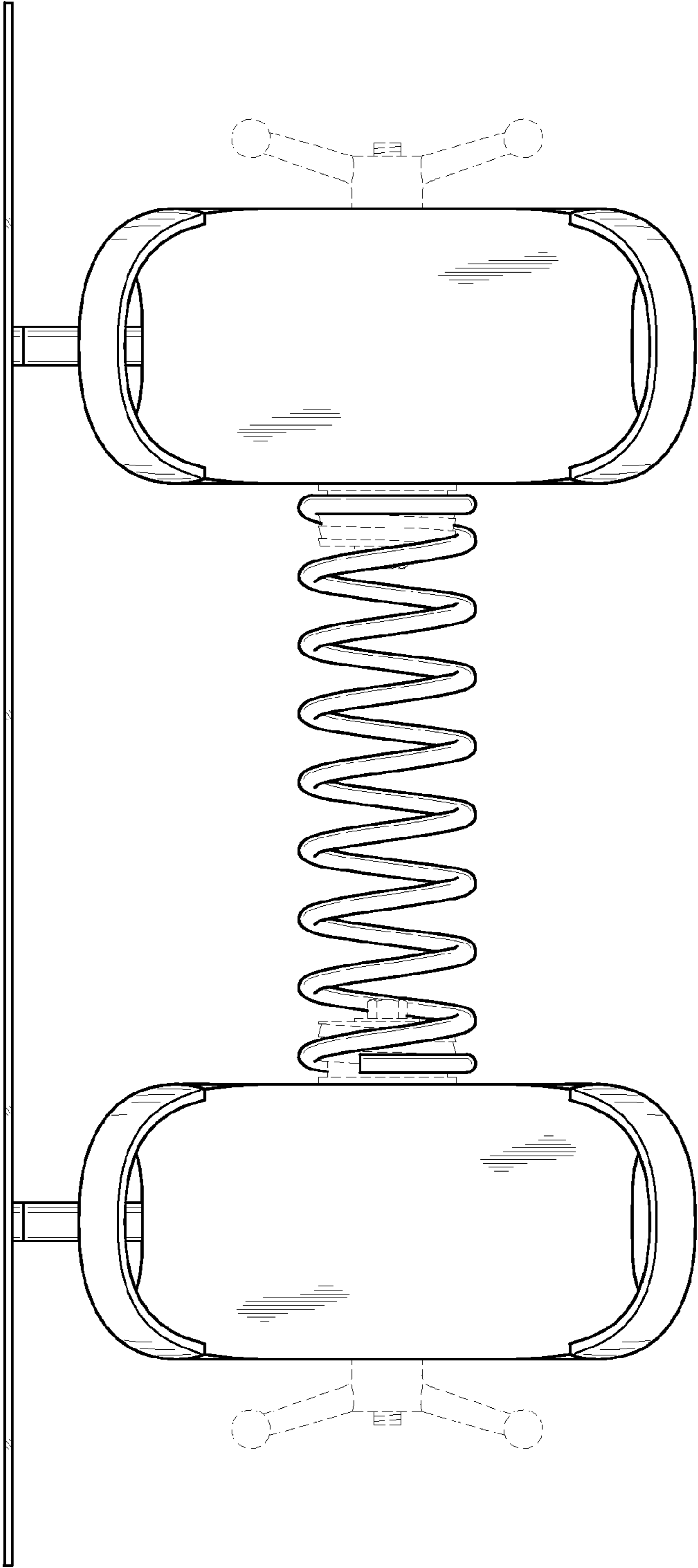


FIG. 3

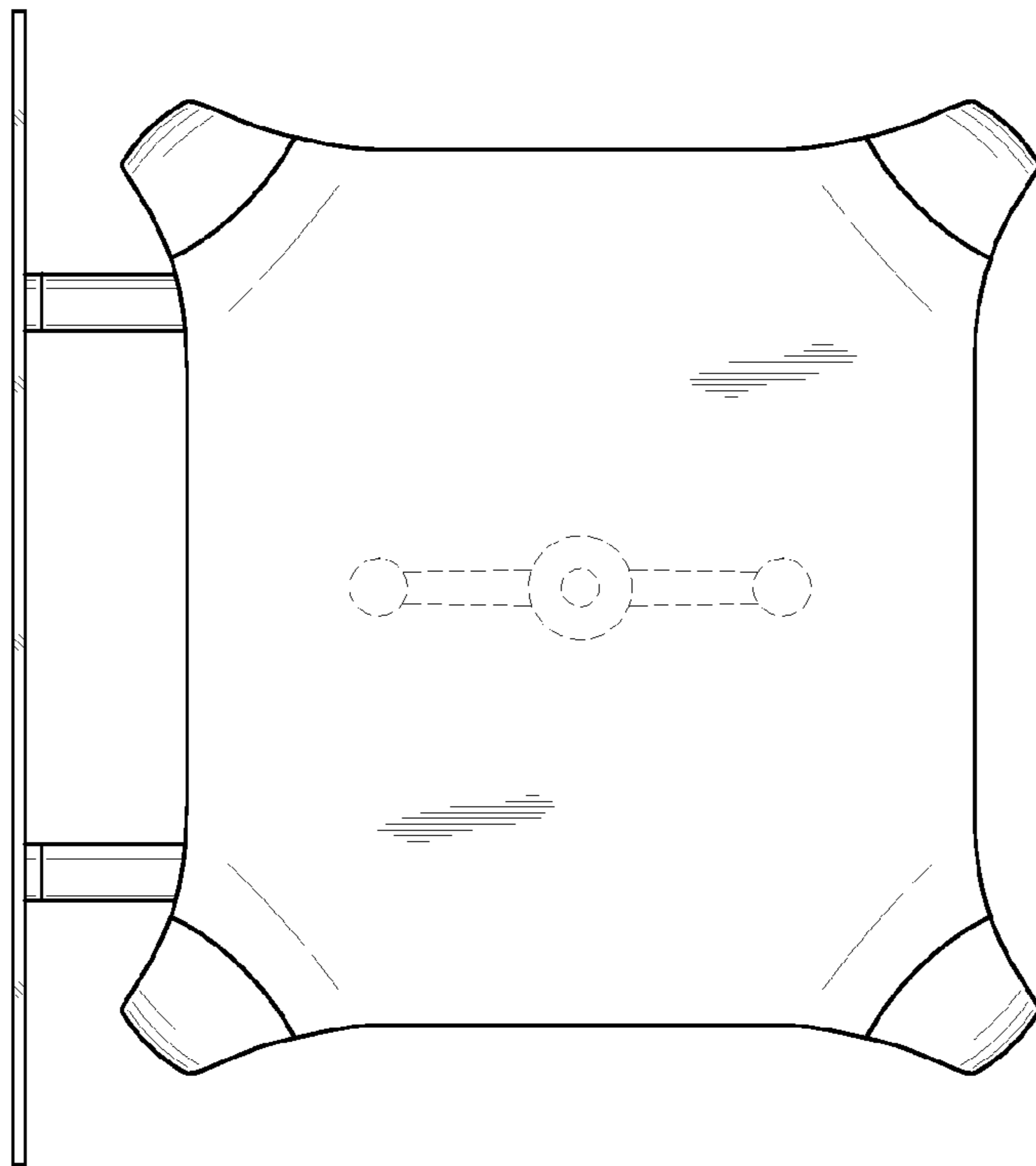


FIG. 4

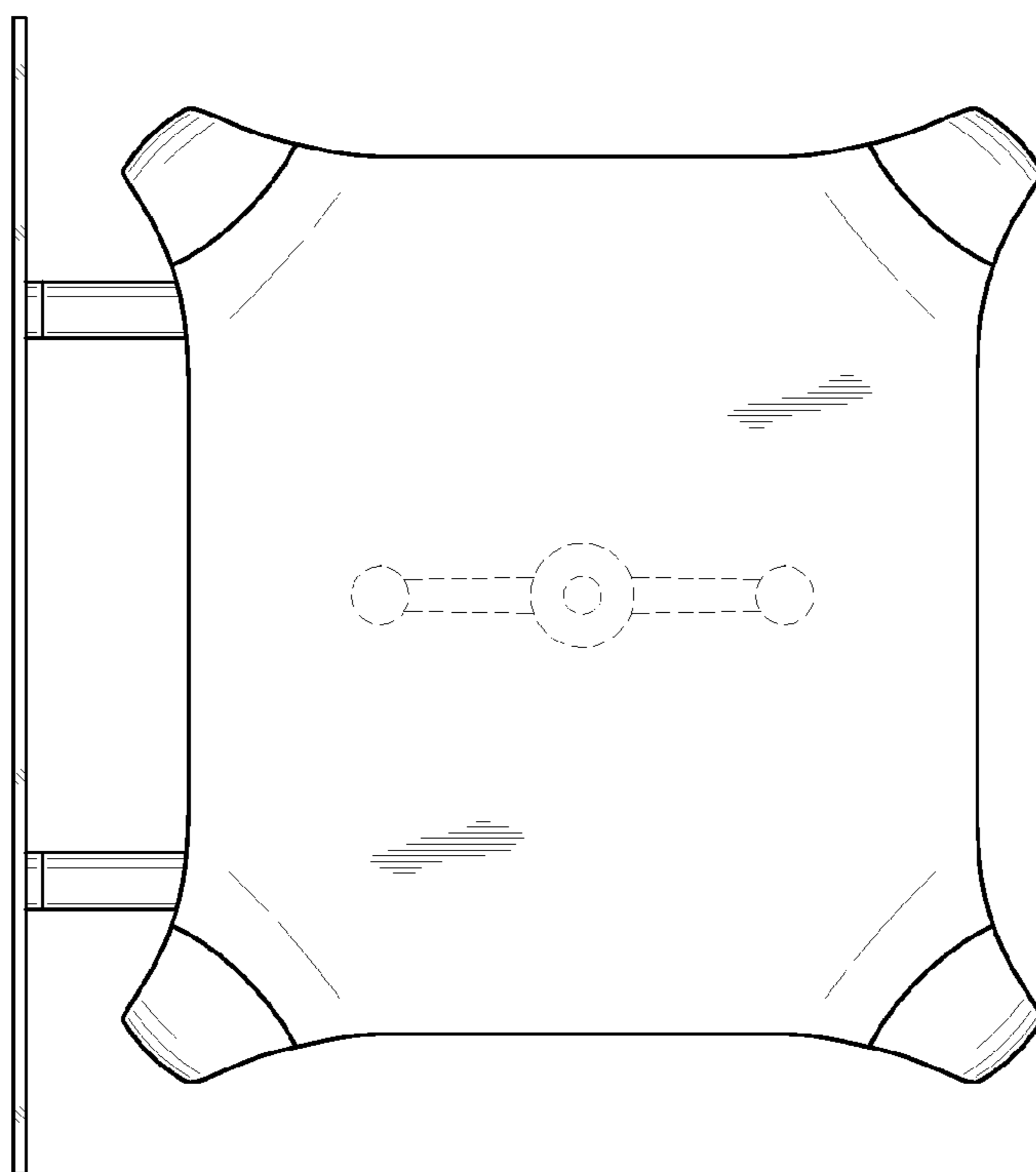


FIG. 5

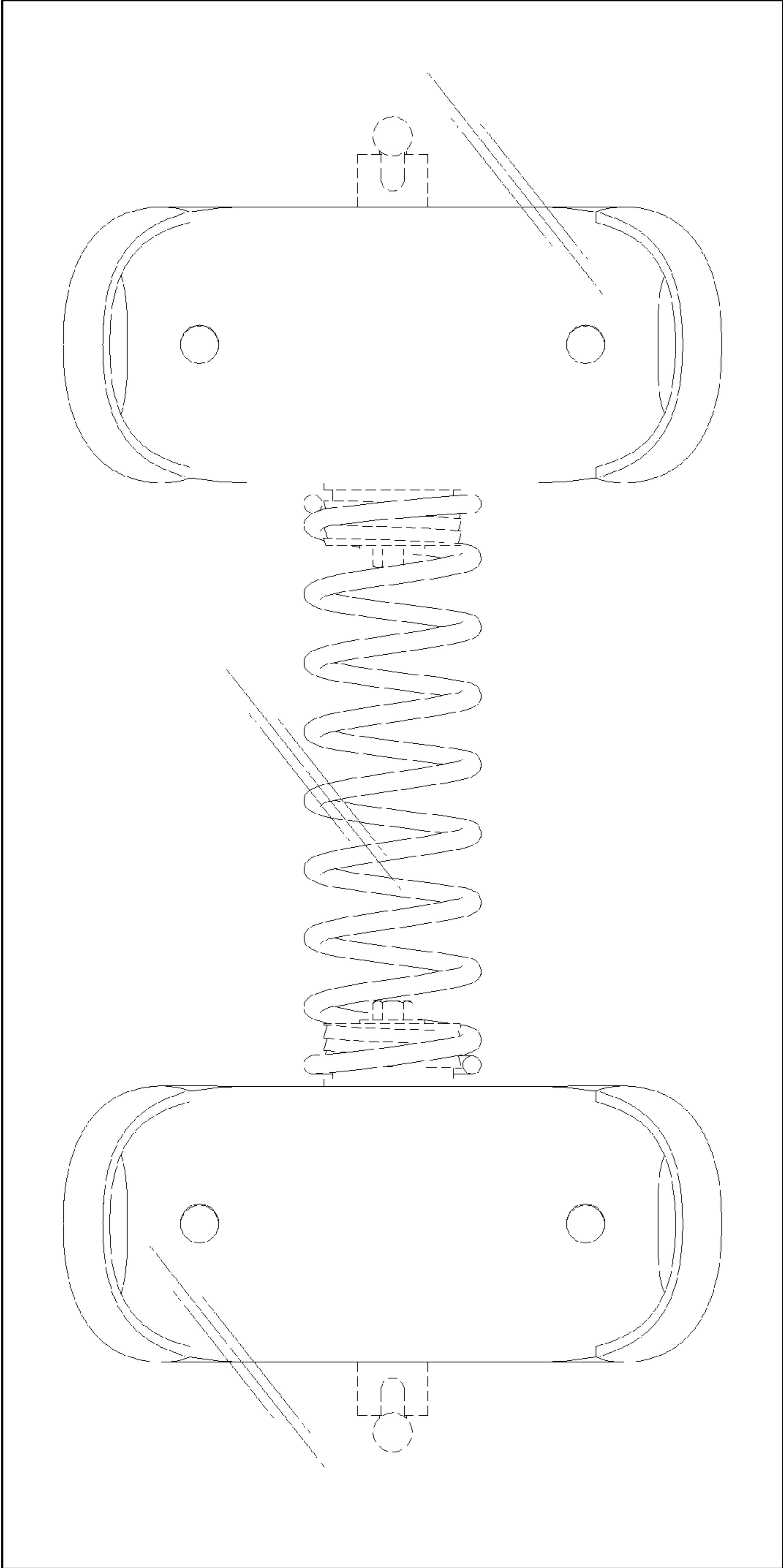


FIG. 6

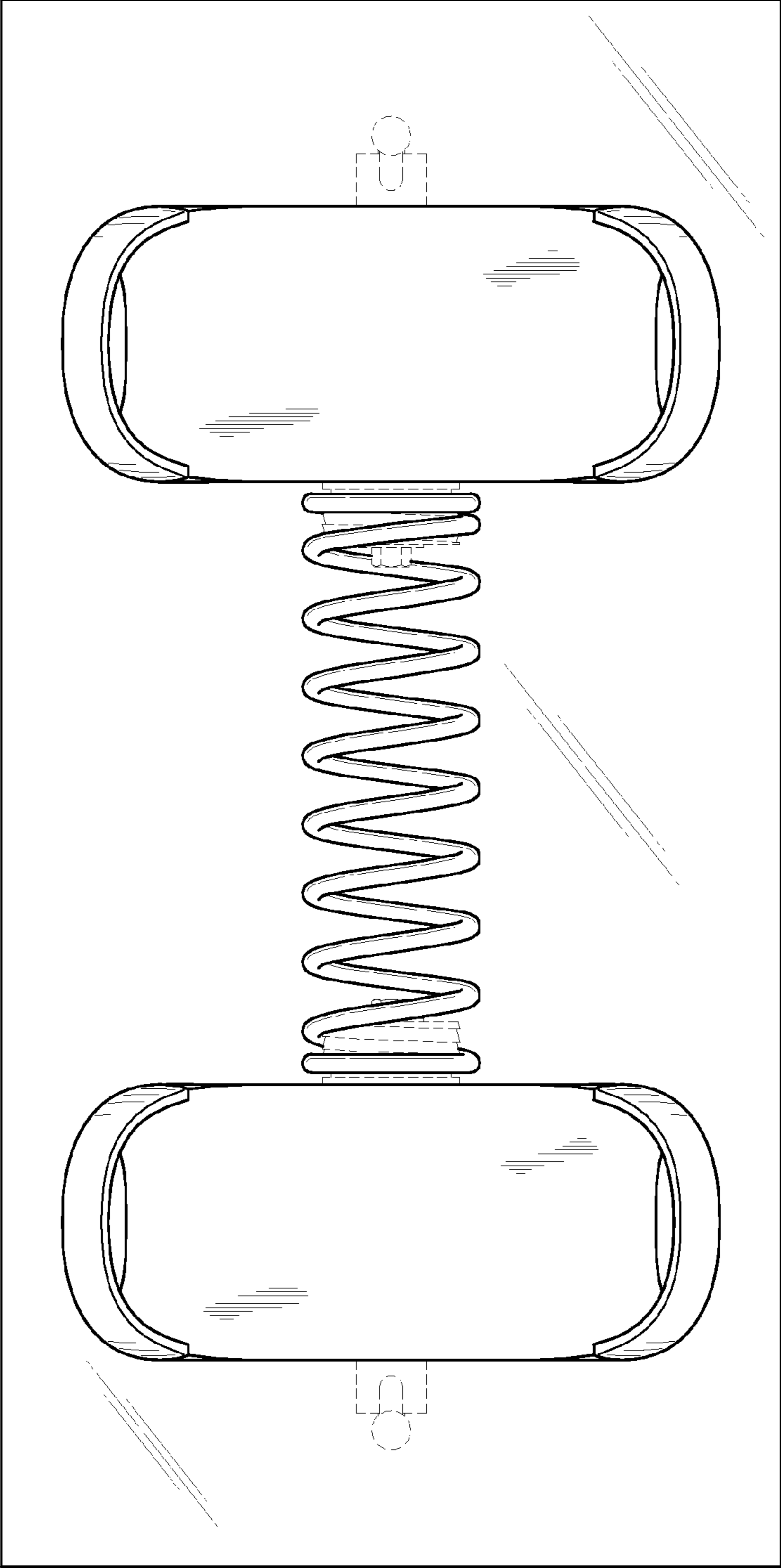


FIG. 7

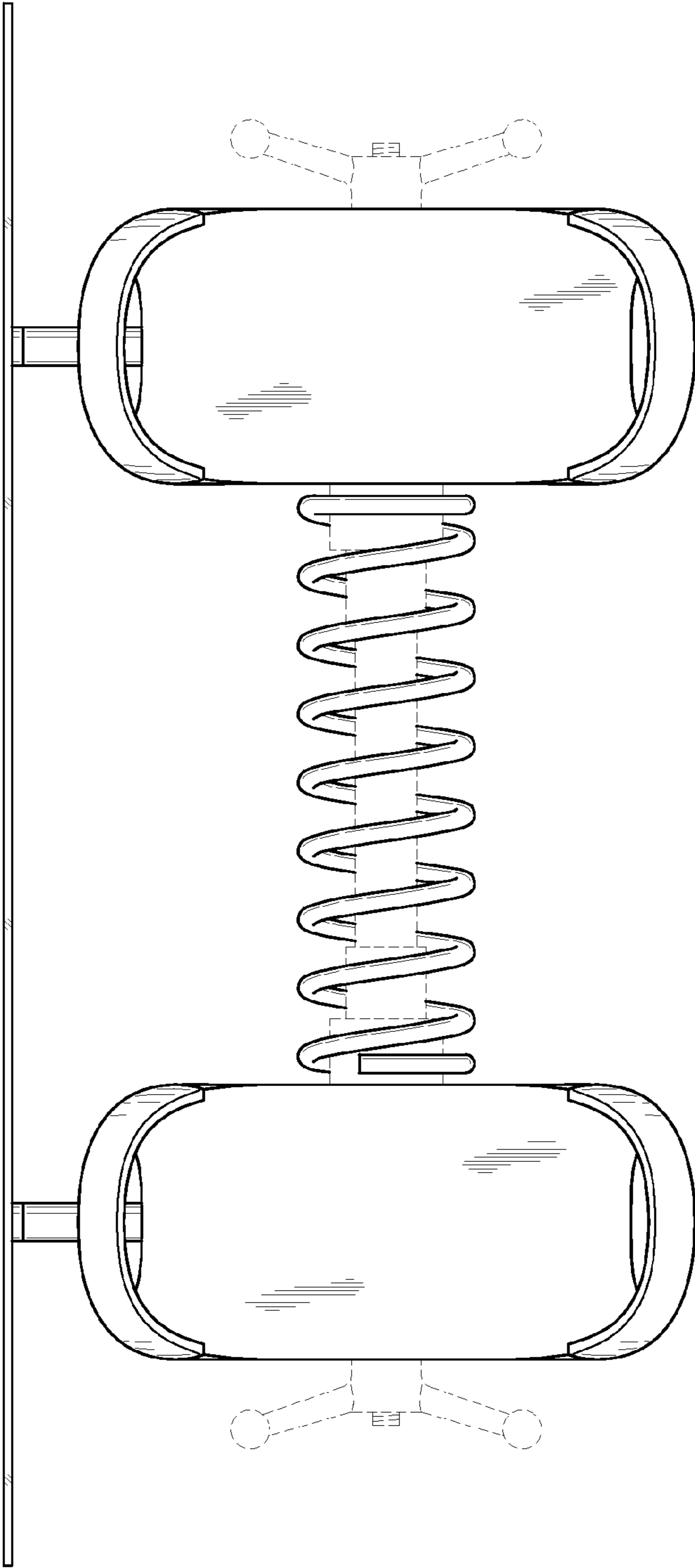


FIG. 8