



US00D680771S

(12) **United States Design Patent**
Spoelhof et al.

(10) **Patent No.:** **US D680,771 S**
(45) **Date of Patent:** **** Apr. 30, 2013**

(54) **SEATING UNIT WITH HEADREST**

(75) Inventors: **Mark William Spoelhof**, Grand Rapids, MI (US); **Alan Ernest Rheault**, Grand Rapids, MI (US); **Michael David Graham**, Lake Odessa, MI (US); **Patrick John Crowley**, Grandville, MI (US)

(73) Assignee: **Steelcase Inc.**, Grand Rapids, MI (US)

(**) Term: **14 Years**

(21) Appl. No.: **29/398,835**

(22) Filed: **Aug. 5, 2011**

(51) **LOC (9) Cl.** **06-01**

(52) **U.S. Cl.**
USPC **D6/381**

(58) **Field of Classification Search** D6/334-338, D6/349, 355, 361, 368-370, 376, 379-381, D6/492, 500-502; 297/16.1, 42, 94, 135, 297/175, 232, 233, 350, 351, 445.1, 448.1, 297/448.2, 451.9; 5/12.1, 12.2

See application file for complete search history.

(56) **References Cited**

U.S. PATENT DOCUMENTS

951,211	A	3/1910	Csiky	
1,644,402	A	10/1927	Rosswinkle	
D122,344	S	9/1940	Smith	
2,466,204	A	4/1949	Brown	
D173,625	S	12/1954	Maurer	
2,781,823	A	2/1957	Knabusch	
2,892,484	A	6/1959	Barabas	
D187,917	S	* 5/1960	Spound D6/334

(Continued)

FOREIGN PATENT DOCUMENTS

JP 2005160824 A 6/2005

Primary Examiner — Sandra Snapp

(57) **CLAIM**

We claim the ornamental design for a seating unit with headrest, as shown and described.

DESCRIPTION

FIG. 1 is a front perspective view of a seating unit with headrest according to a first embodiment;

FIG. 2 is a rear perspective view of the seating unit with headrest of FIG. 1;

FIG. 3 is a front view of the seating unit with headrest of FIG. 1;

FIG. 4 is a rear view of the seating unit with headrest of FIG. 1;

FIG. 5 is a side view of the seating unit with headrest of FIG. 1;

FIG. 6 is a top view of the seating unit with headrest of FIG. 1;

FIG. 7 is a bottom view of the seating unit with headrest of FIG. 1;

FIG. 8 is a front perspective view of a seating unit with headrest, according to a second embodiment;

FIG. 9 is a rear perspective view of the seating unit with headrest of FIG. 8;

FIG. 10 is a front view of the seating unit with headrest of FIG. 8;

FIG. 11 is a rear view of the seating unit with headrest of FIG. 8;

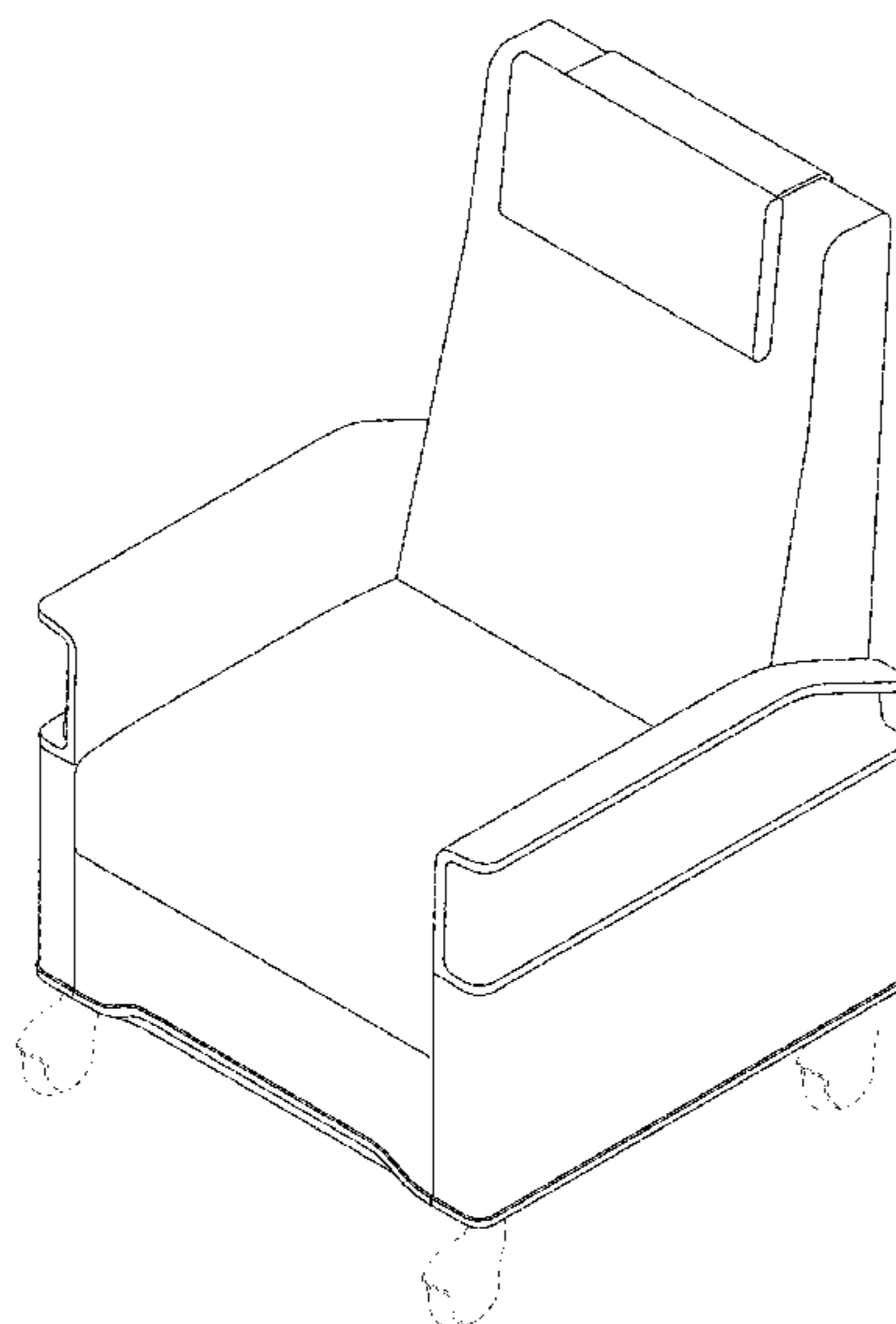
FIG. 12 is a side view of the seating unit with headrest of FIG. 8;

FIG. 13 is a top view of the seating unit with headrest of FIG. 8; and,

FIG. 14 is a bottom view of the seating unit with headrest of FIG. 8.

The broken lines shown in the drawings that are part of the headrest and are encompassed with a bracket are understood to represent indefinite length. The remaining broken lines and dashed lines are for purposes on illustrating environmental structure and form no part of the claimed design.

1 Claim, 14 Drawing Sheets



US D680,771 S

Page 2

U.S. PATENT DOCUMENTS

3,179,466 A	4/1965	Garrett	
3,408,107 A	10/1968	Savage	
3,578,379 A	5/1971	Taylor	
D222,451 S	10/1971	Lamb	
3,652,125 A	3/1972	Rogers, Jr.	
D231,878 S *	6/1974	Kellum	D6/334
4,019,776 A	4/1977	Takamatsu	
4,036,524 A	7/1977	Takamatsu	
D251,761 S	5/1979	Long	
4,252,367 A	2/1981	Vanderminden	
D259,689 S	6/1981	Handel	
D261,702 S	11/1981	Whalen	
4,394,783 A	7/1983	Simmons	
4,482,186 A	11/1984	Gomes	
D276,670 S	12/1984	Tornero	
D277,346 S *	1/1985	Steinberger	D6/374
D282,036 S	1/1986	Ritchie, Jr.	
D286,239 S	10/1986	Scheurer	
D288,505 S	3/1987	Yamasaki	
4,738,488 A	4/1988	Camelio	
D303,047 S	8/1989	Offredi	
D307,526 S	5/1990	McIntyre	
D316,792 S	5/1991	Schmitz	
5,015,036 A	5/1991	Fergie	
D317,541 S	6/1991	Carwile	
D336,376 S	6/1993	Hollington	
D338,113 S	8/1993	Laird	
5,240,330 A	8/1993	Thompson	
D340,142 S	10/1993	Totoro	
D341,728 S	11/1993	Grosfillex	
5,345,633 A	9/1994	Harnish	
D364,065 S	11/1995	Pearl	
D364,971 S	12/1995	Sterlacci	
5,501,508 A	3/1996	Llewellyn	
5,538,323 A	7/1996	Henkel	
D372,800 S	8/1996	Yamasaki	
D376,483 S	12/1996	Yamasaki	
D383,027 S	9/1997	Riedell	
D395,034 S	6/1998	Abbott	
5,820,214 A	10/1998	Bessette	
D401,075 S	11/1998	Smith	
D402,479 S	12/1998	Inada	
5,920,933 A	7/1999	Chou	
D416,395 S	11/1999	George	
D417,558 S	12/1999	Staubach	
6,030,034 A	2/2000	Plohetski	
6,079,784 A	6/2000	Peachey	
D428,295 S	7/2000	Frye	
D430,740 S	9/2000	Chun	
D433,243 S	11/2000	Garcia	
6,202,233 B1	3/2001	Achong	
D442,375 S	5/2001	Stammler	
D443,991 S	6/2001	Picotti	
D449,953 S	11/2001	Mixon	
6,378,176 B1	4/2002	Scherer	
D456,621 S	5/2002	Antunes	
D458,466 S	6/2002	McCairley	
D462,845 S	9/2002	Canto Garcia	
6,666,426 B1	12/2003	Taylor	
6,739,651 B1	5/2004	Barefoot	
6,807,696 B2	10/2004	Magistretti	
D500,609 S	1/2005	Potter	
D506,085 S	6/2005	Ohashi	
D508,617 S	8/2005	Potter	
6,948,777 B2	9/2005	Marshall	
D510,666 S	10/2005	Pimental	
D531,424 S	11/2006	Kusachi	
D532,984 S	12/2006	Bernett	
D535,124 S	1/2007	Garcia	
D536,893 S	2/2007	Lifeng	
D536,894 S	2/2007	Potter	
D536,896 S *	2/2007	Kawamura	D6/367
D537,262 S	2/2007	Lifeng	
D537,643 S	3/2007	Miyake	
D538,056 S *	3/2007	Lifeng	D6/367
D539,051 S	3/2007	Dehli	
D540,605 S	4/2007	McHale, III	
D541,064 S	4/2007	Miller	
D543,716 S	6/2007	Votteler	
D548,505 S	8/2007	Feliciano	
D551,869 S	10/2007	Zambelli	
D557,029 S	12/2007	Potter	
7,325,266 B1	2/2008	Olson	
D564,807 S	3/2008	Da Re	
7,390,059 B2	6/2008	Brockschnieder	
D575,069 S	8/2008	Potter	
D580,671 S	11/2008	Aoki	
D583,582 S	12/2008	Potter	
D586,138 S	2/2009	Potter	
7,488,036 B2	2/2009	Tache	
7,510,243 B1	3/2009	Hung	
D597,753 S	8/2009	Potter	
D602,704 S	10/2009	Tierney	
7,614,691 B1	11/2009	Schmitz	
7,618,092 B2	11/2009	Yasuda	
D606,325 S	12/2009	Gharabegian	
D607,681 S	1/2010	Hughes	
D616,215 S	5/2010	Andersen	
D622,516 S	8/2010	Delmestri	
7,770,976 B2	8/2010	Lee	
D626,756 S	11/2010	Flender	
2002/0163240 A1	11/2002	Cheng	
2009/0309406 A1	12/2009	Campa	

* cited by examiner

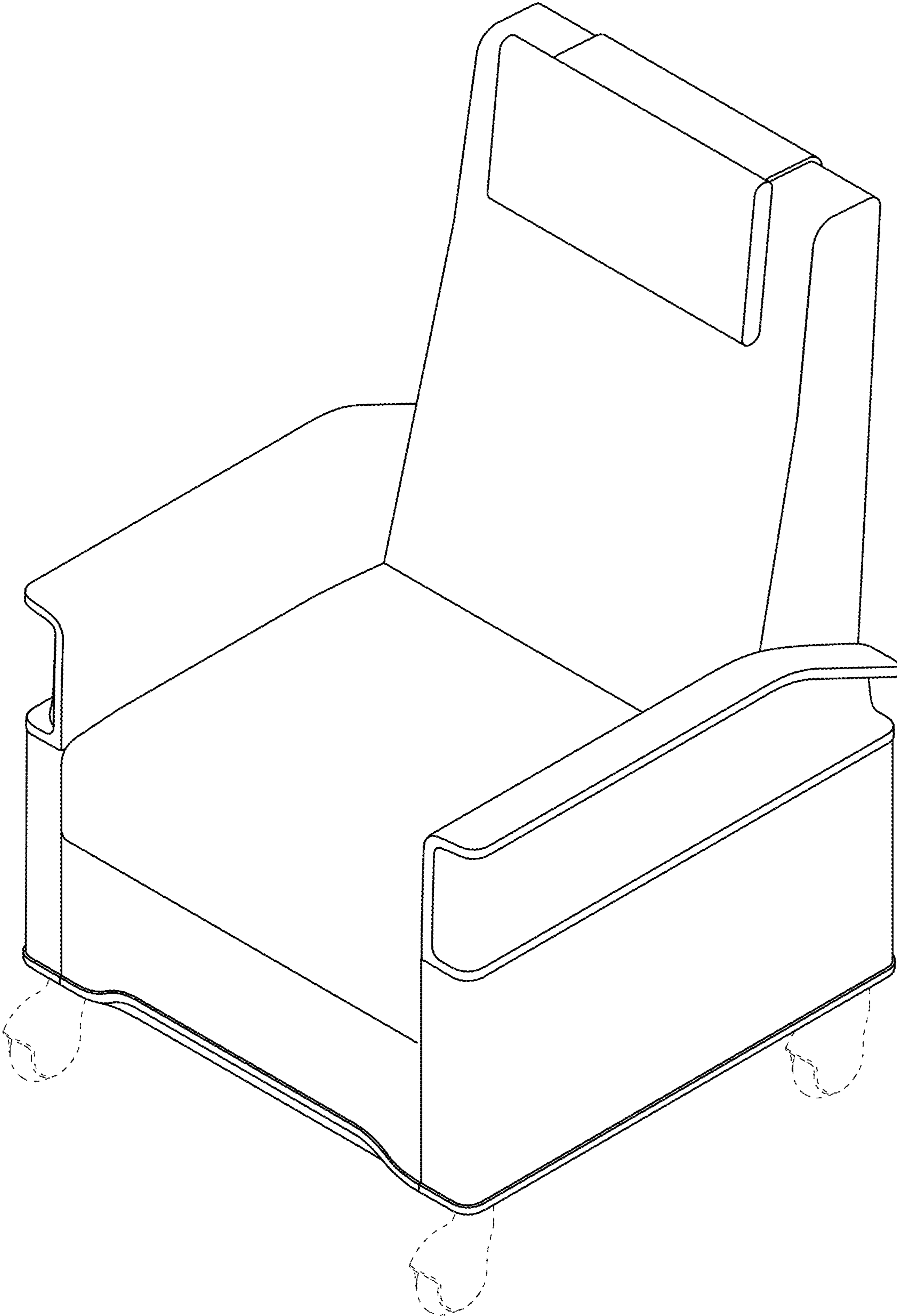


FIG. 1

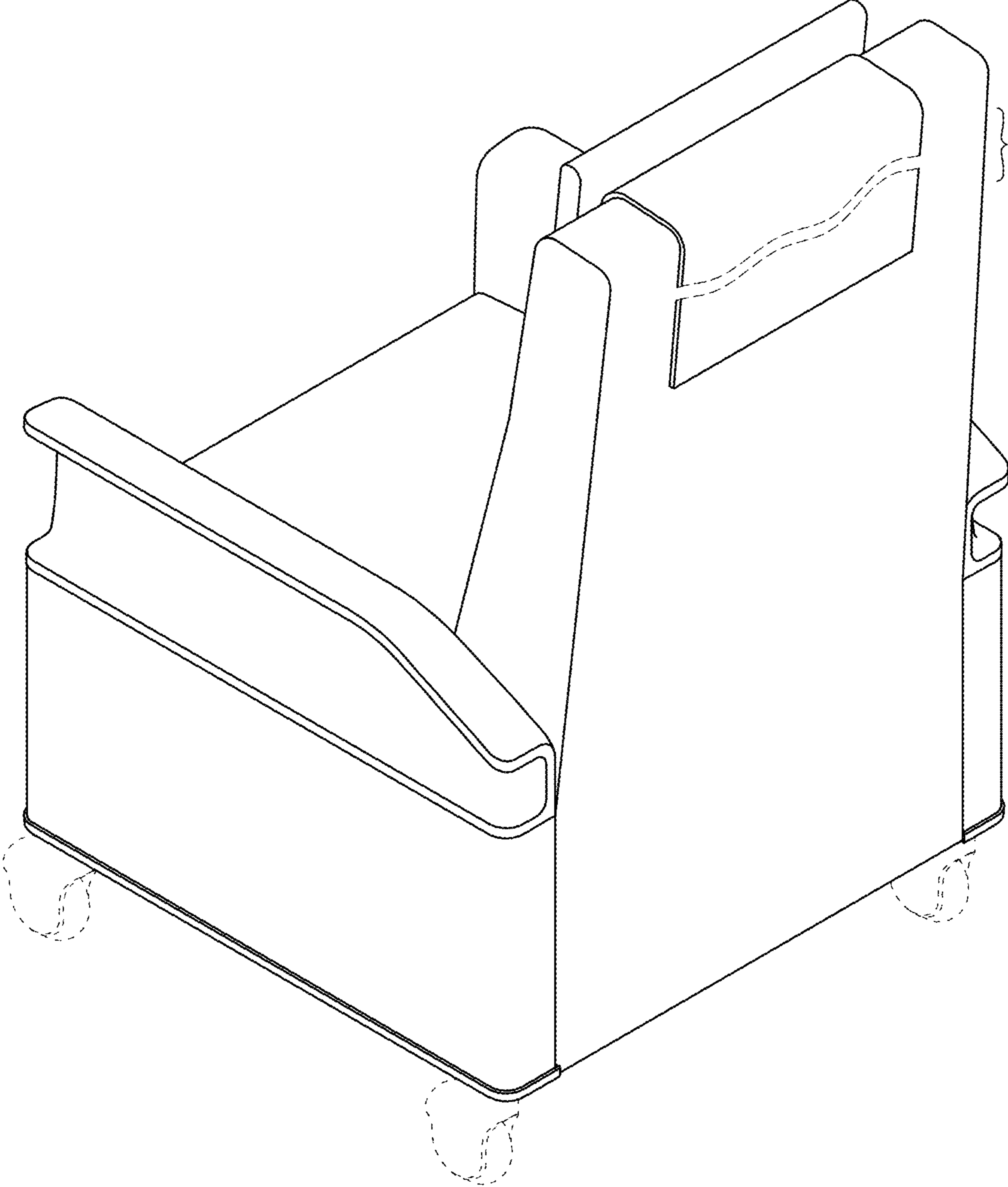


FIG. 2

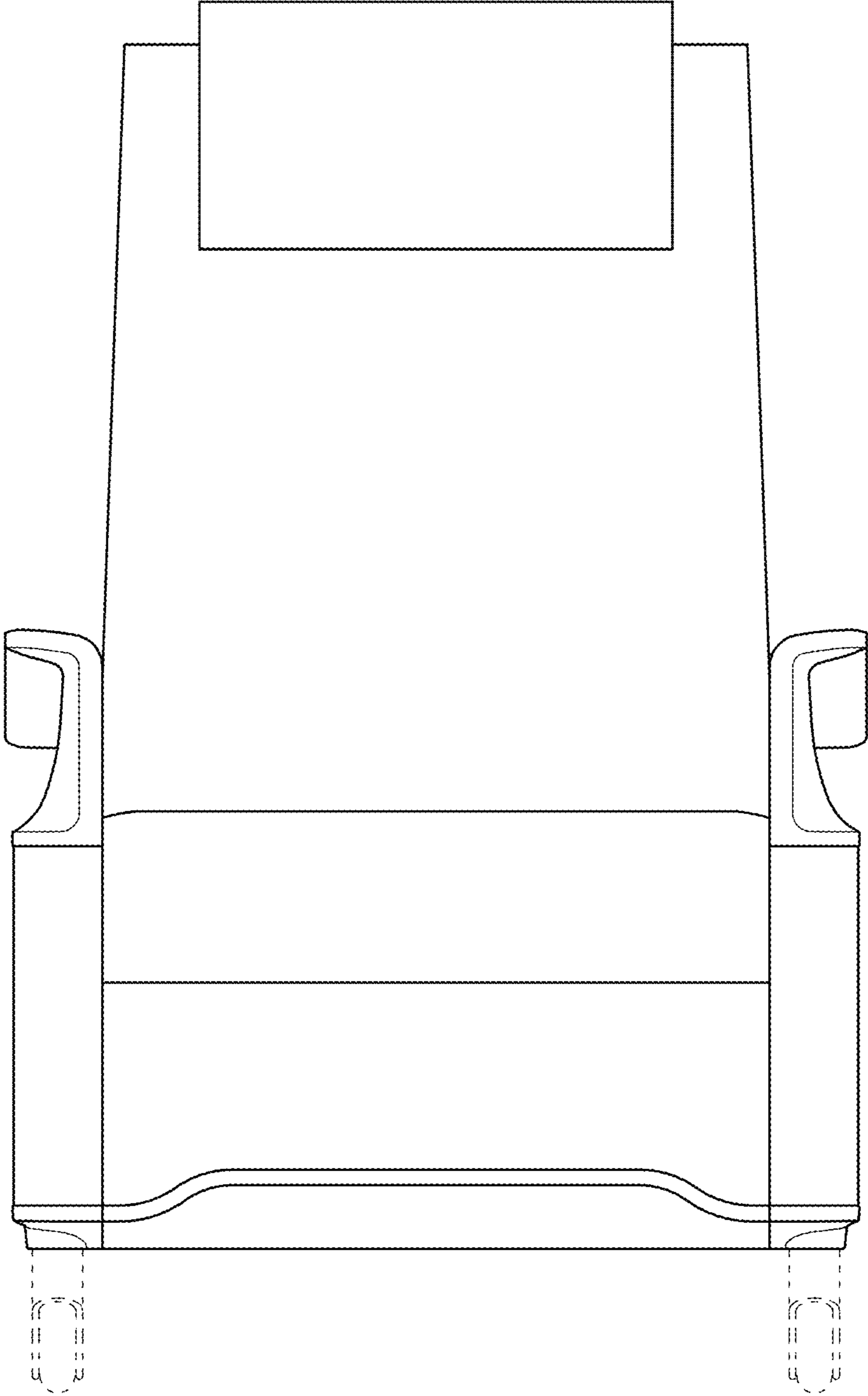


FIG. 3

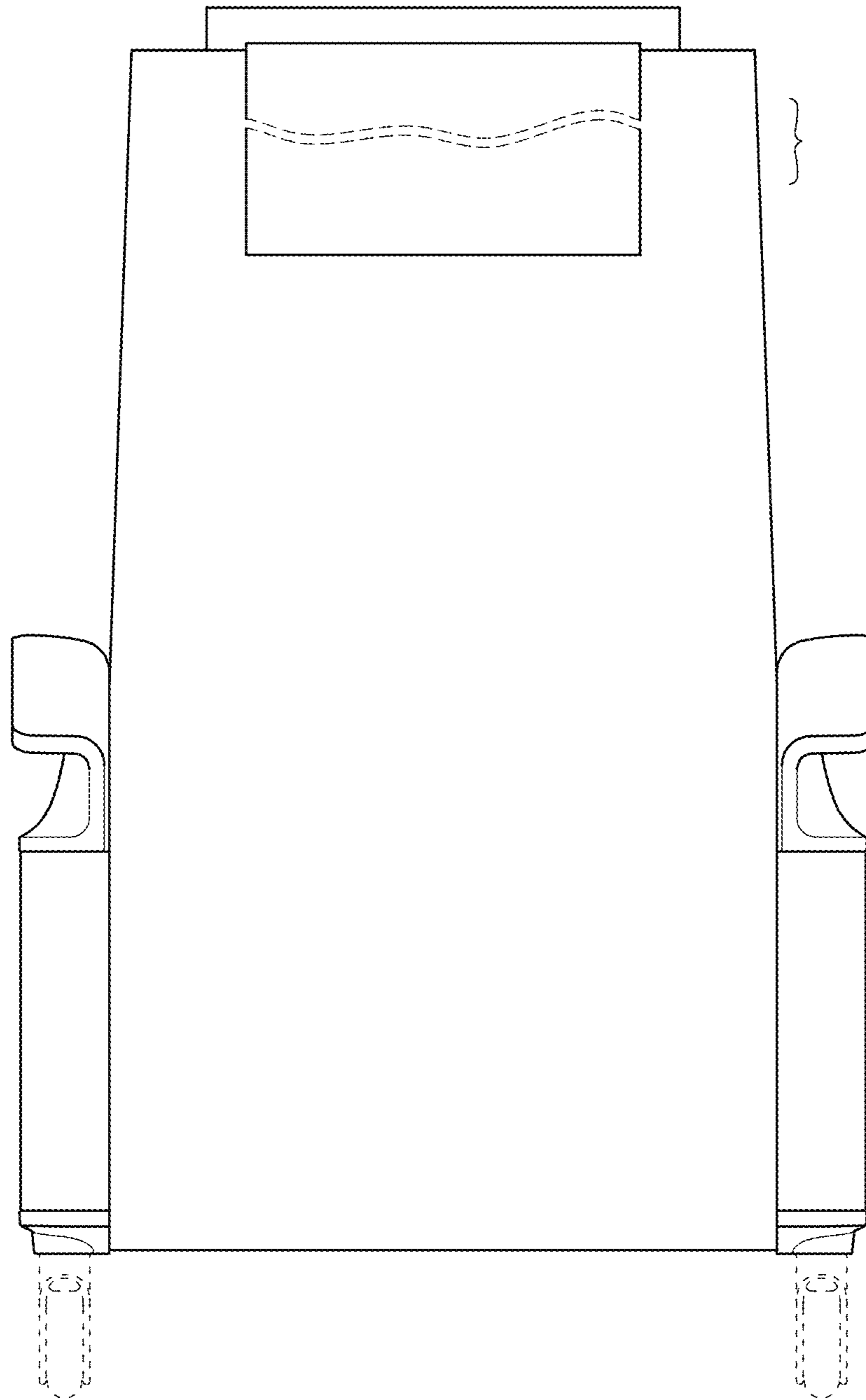


FIG. 4

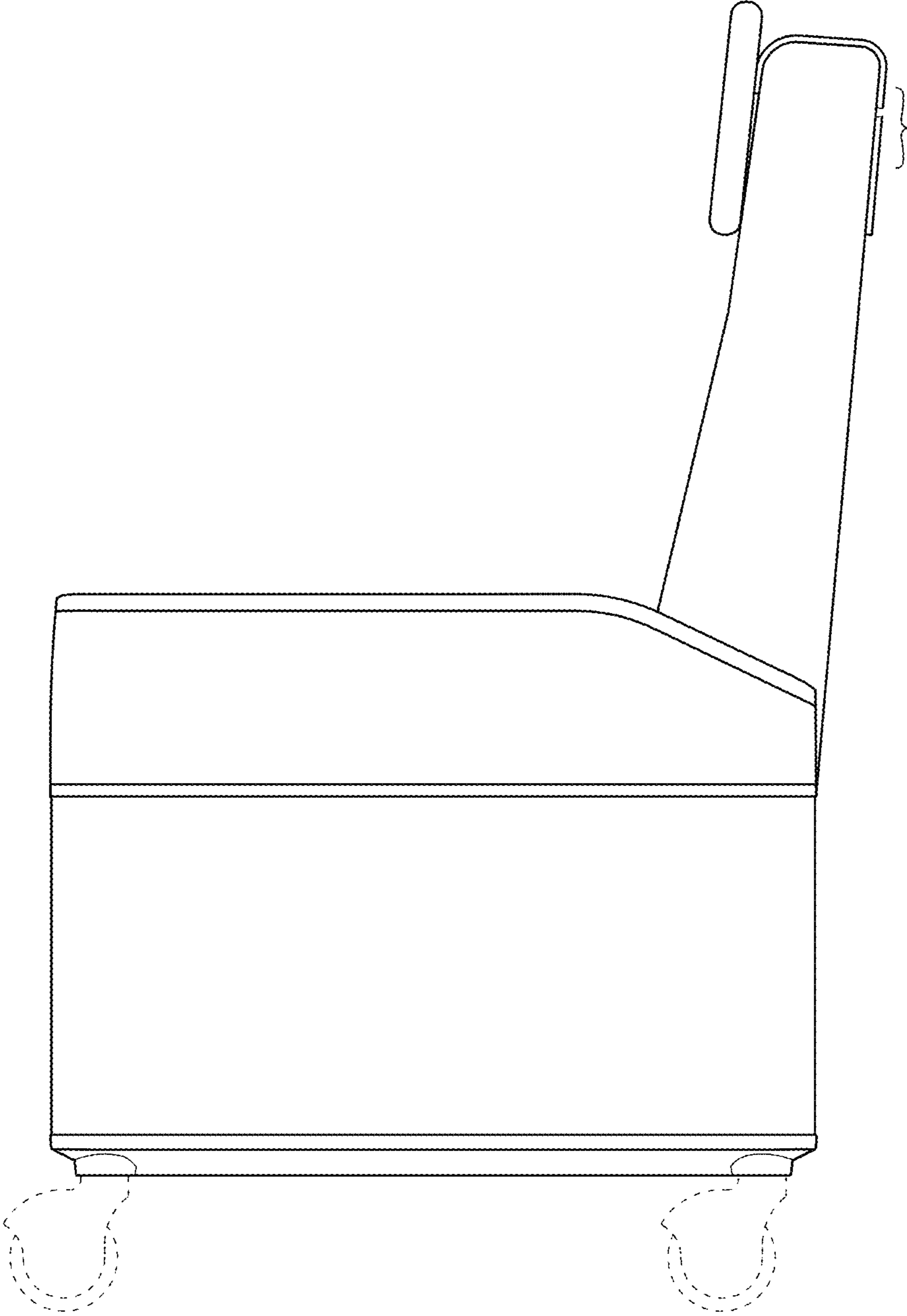


FIG. 5

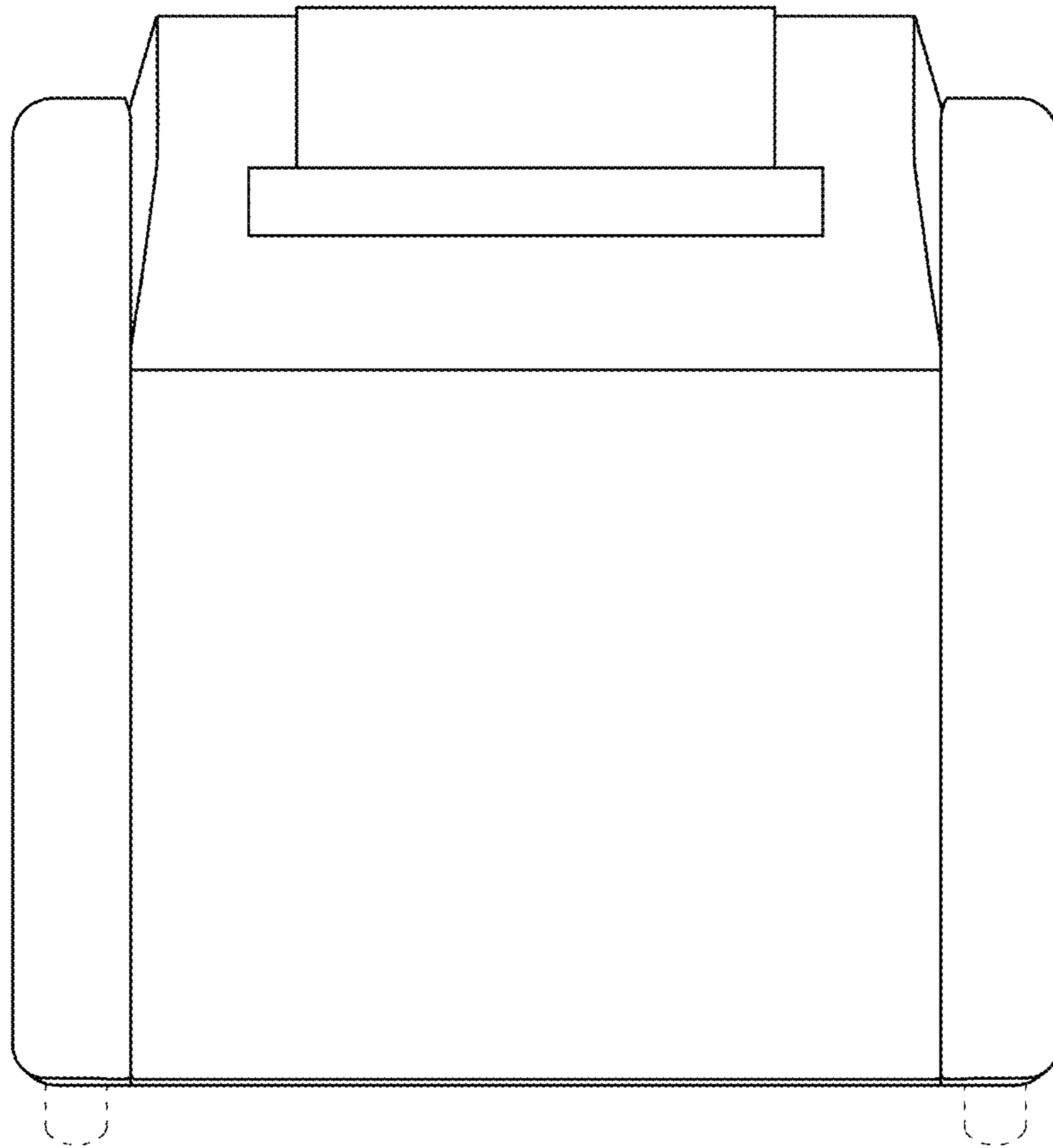


FIG. 6

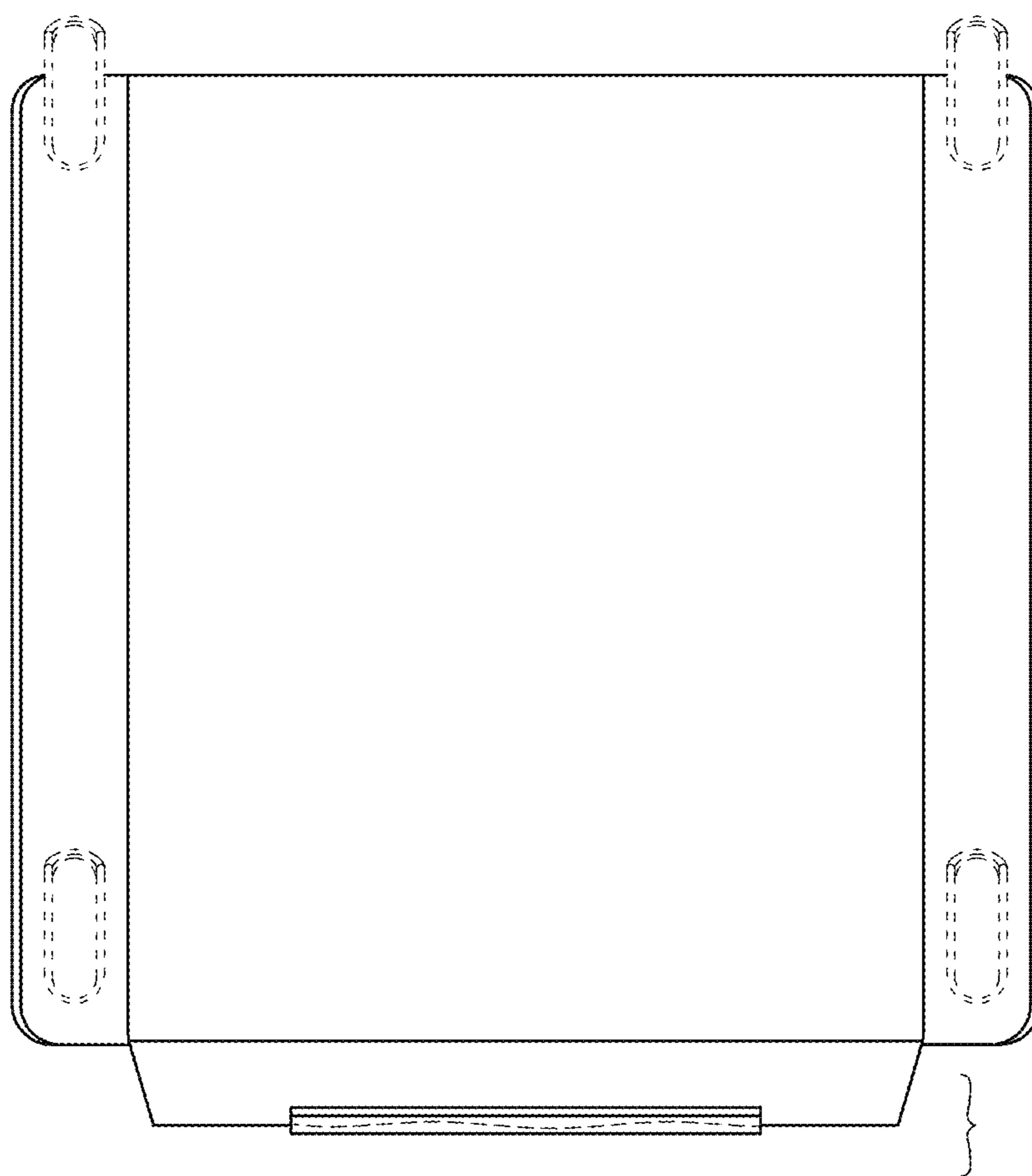


FIG. 7

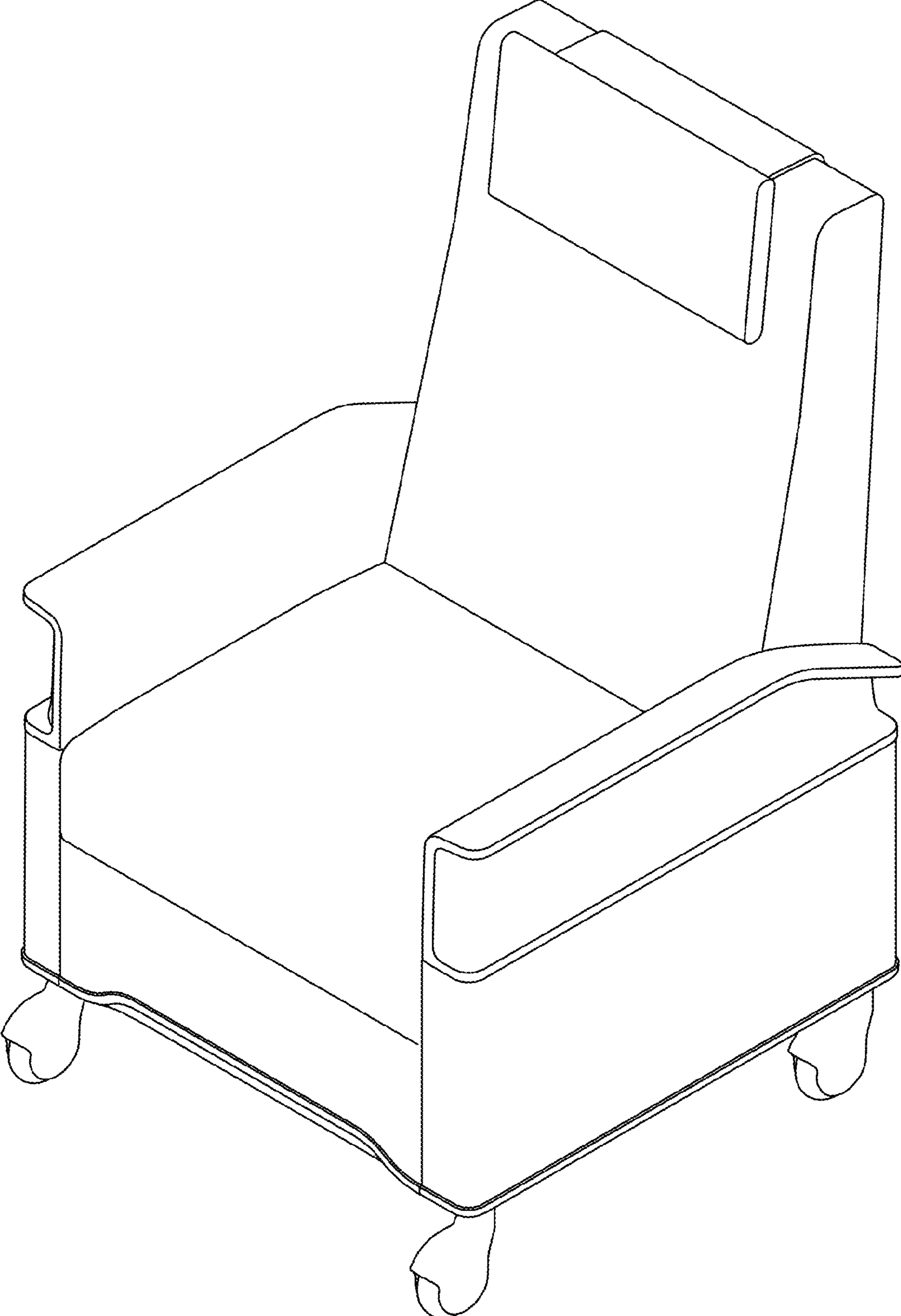


FIG. 8

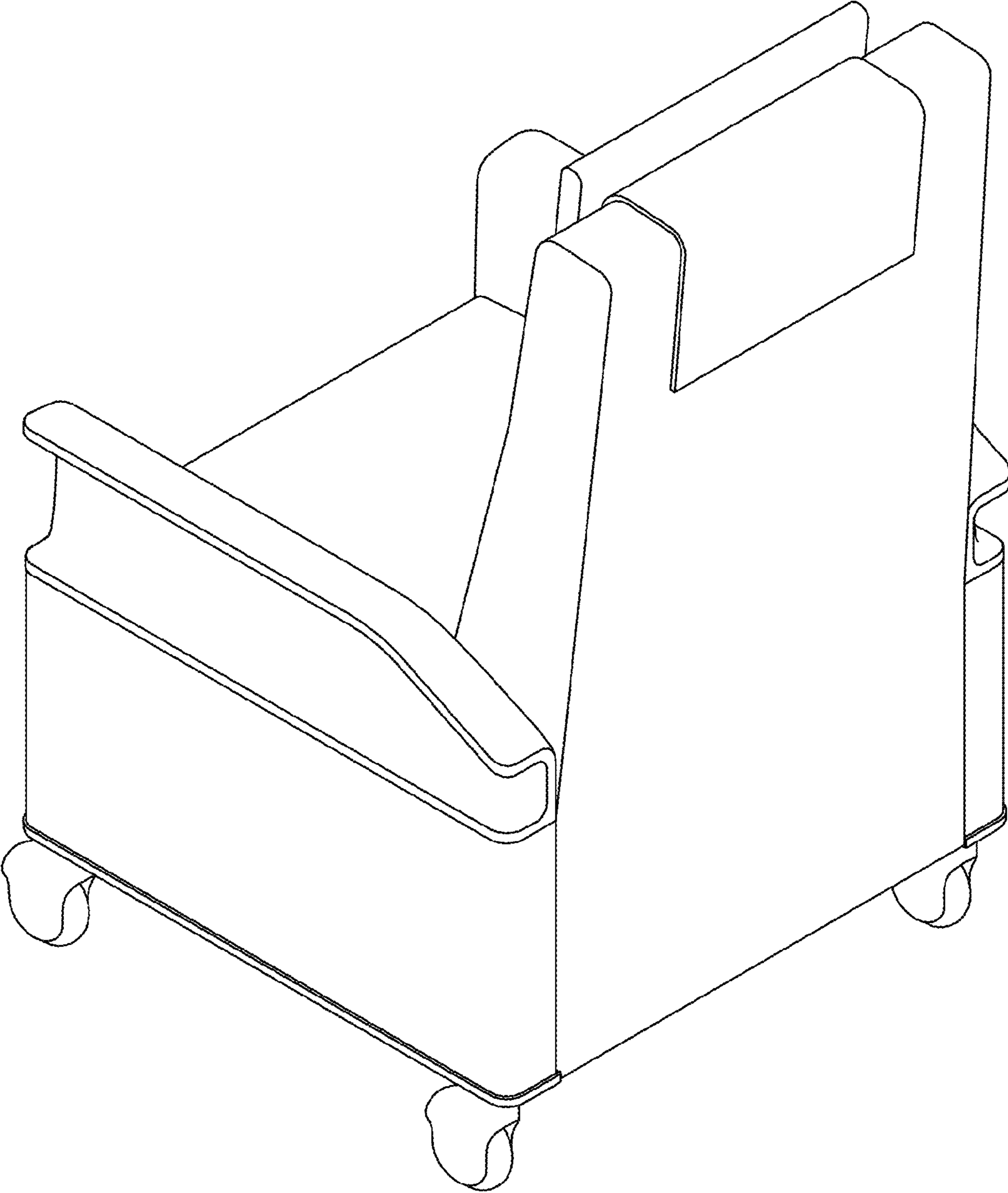


FIG. 9

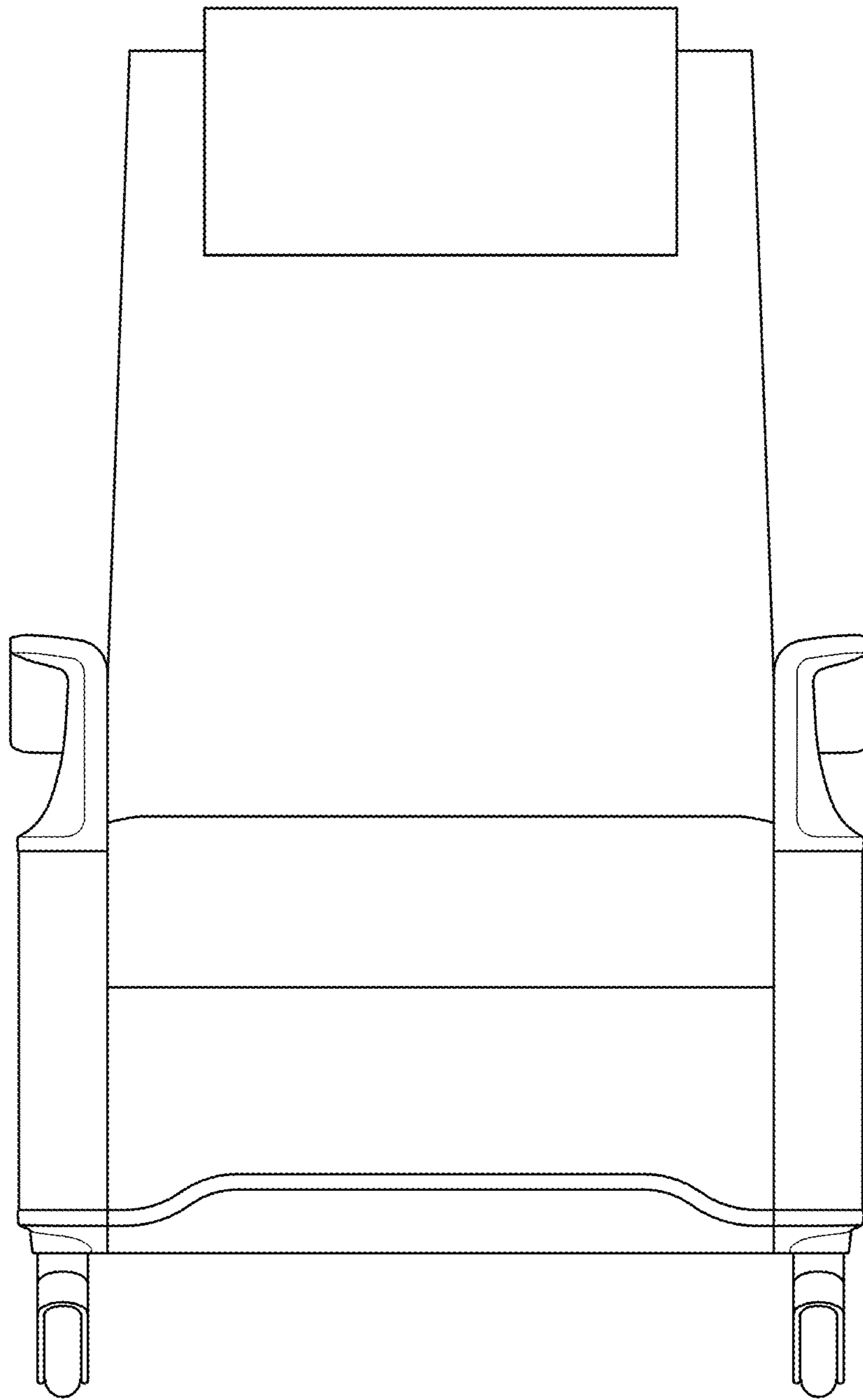


FIG. 10

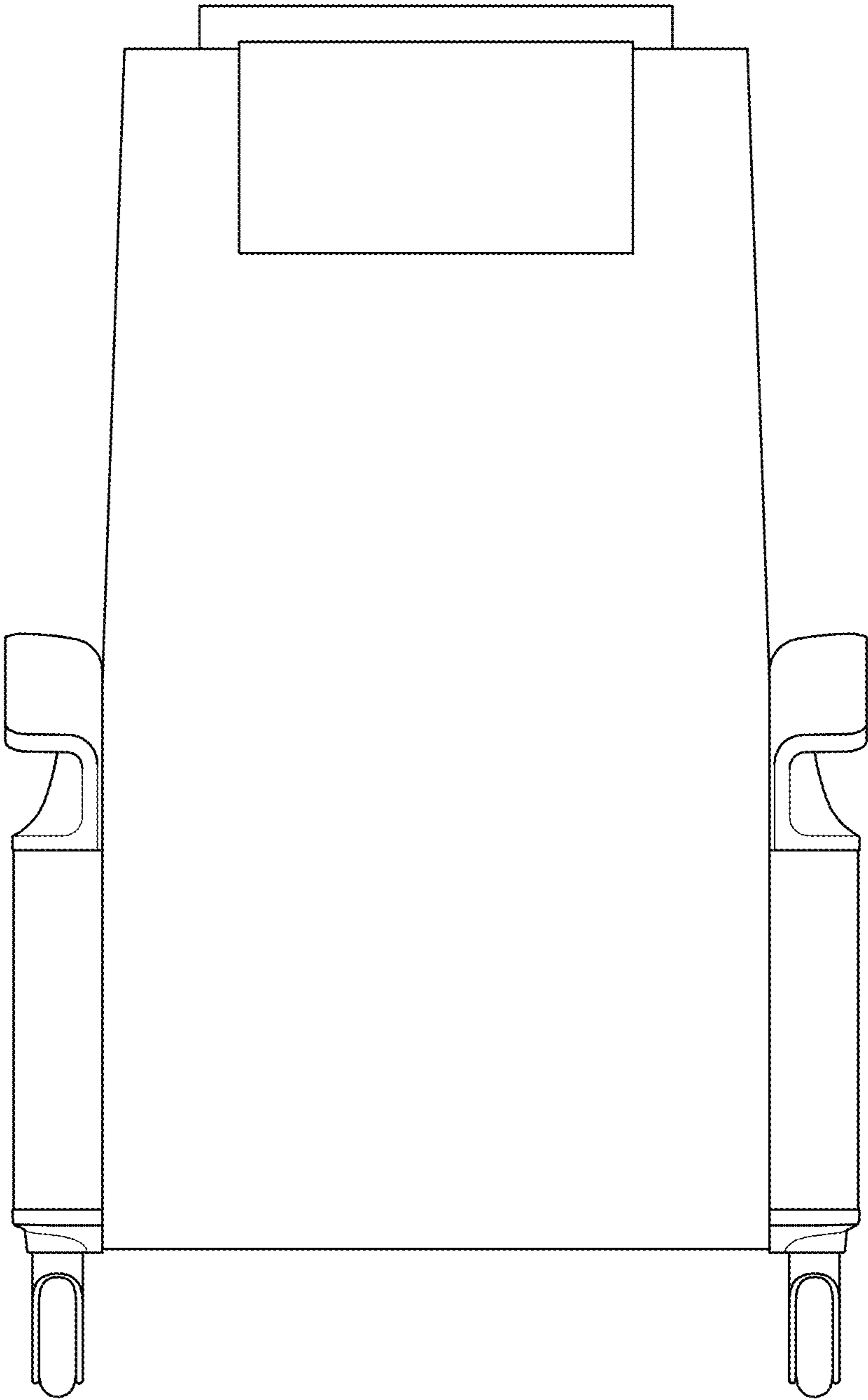


FIG. 11

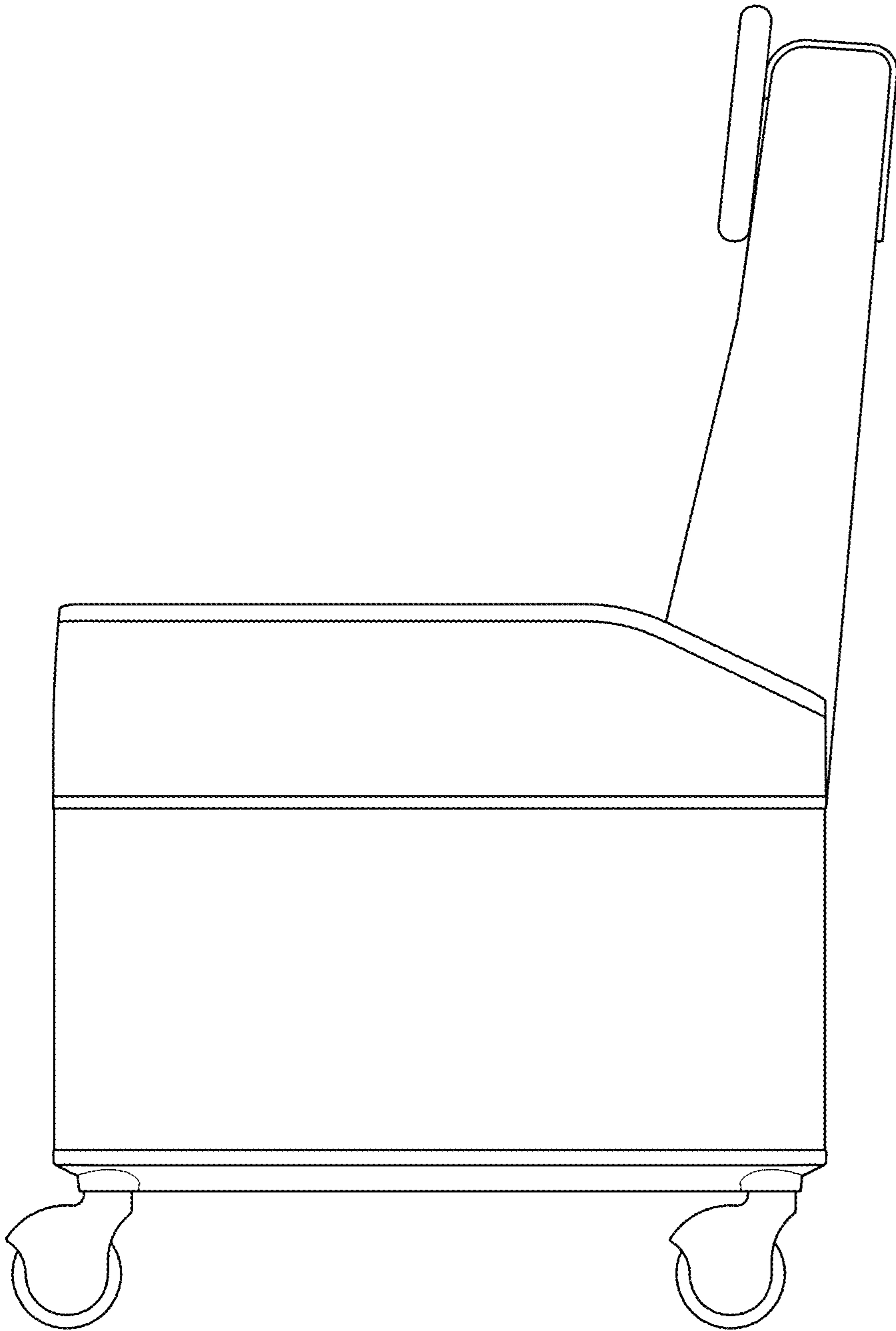


FIG. 12

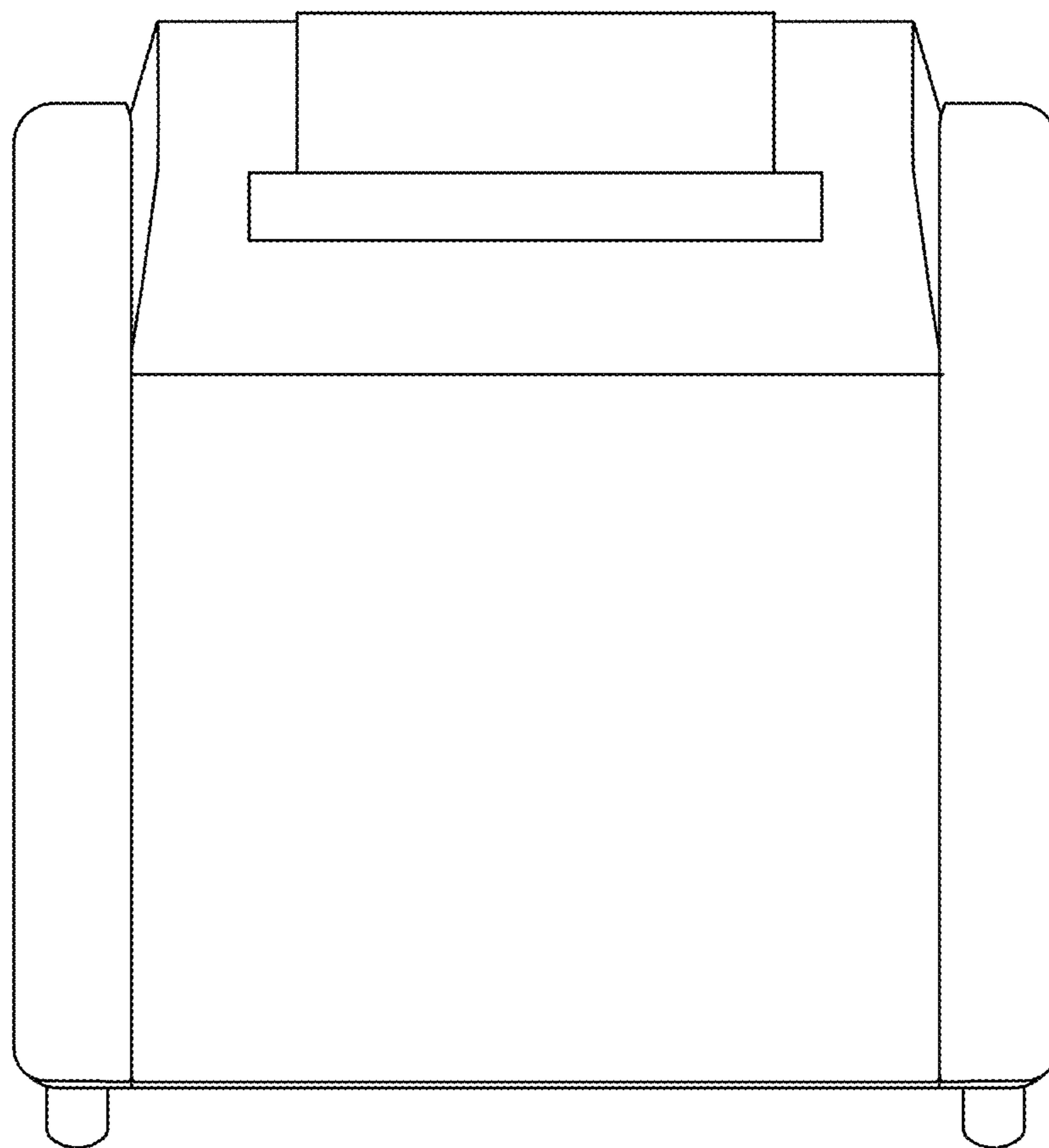


FIG. 13

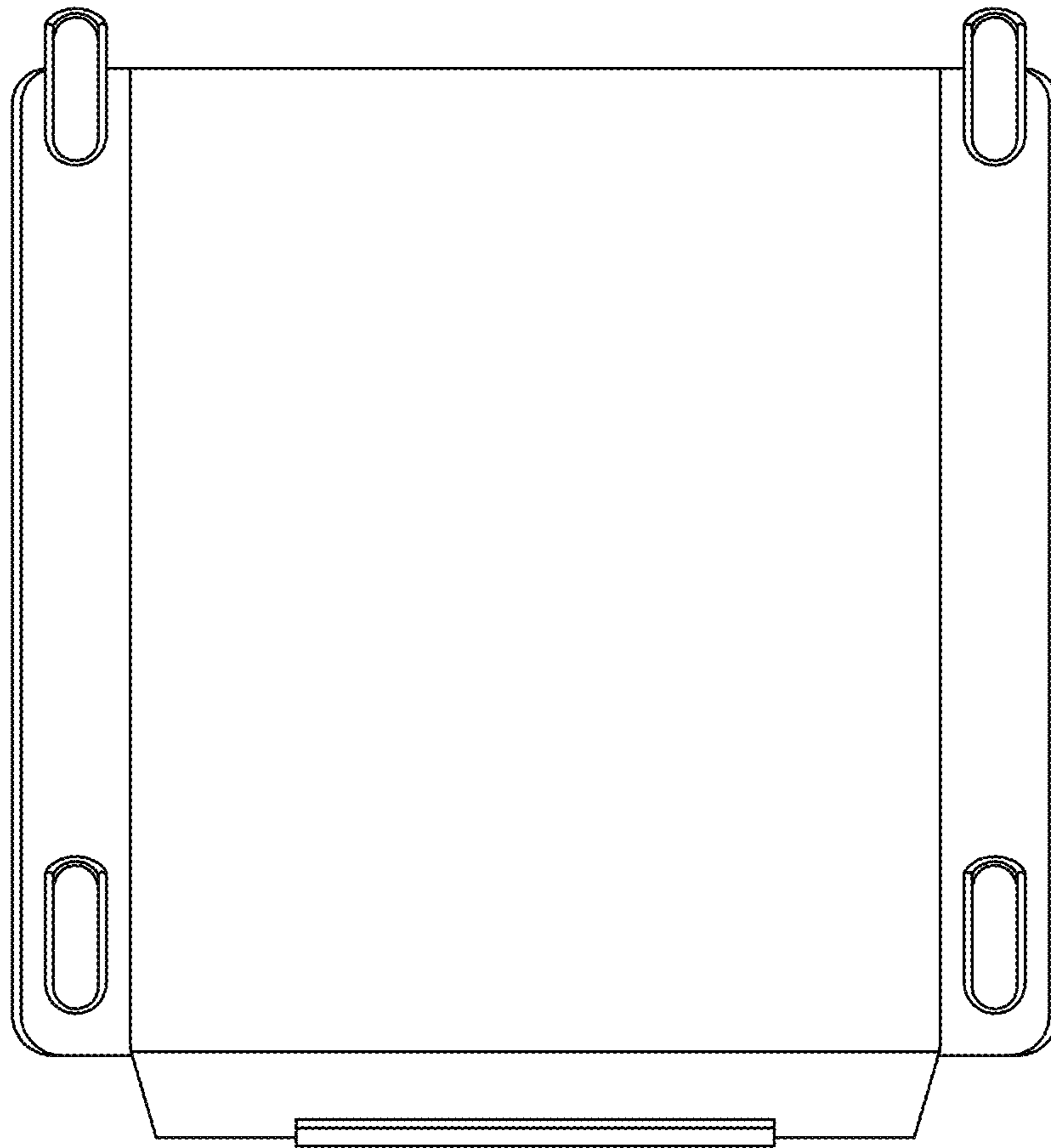


FIG. 14