



US00D680770S

(12) **United States Design Patent**
Hori et al.

(10) **Patent No.:** **US D680,770 S**

(45) **Date of Patent:** **** Apr. 30, 2013**

(54) **CHAIR**

(75) Inventors: **Yoshihito Hori**, Gifu (JP); **Hiroshi Saotome**, Kanagawa (JP)

(73) Assignee: **Okamura Corporation**, Kanagawa (JP)

(**) Term: **14 Years**

(21) Appl. No.: **29/388,011**

(22) Filed: **Mar. 23, 2011**

(30) **Foreign Application Priority Data**

Sep. 24, 2010 (JP) 2010-022918
Sep. 24, 2010 (JP) 2010-022919
Sep. 24, 2010 (JP) 2010-022922

(51) **LOC (9) Cl.** **06-06**

(52) **U.S. Cl.**
USPC **D6/376**

(58) **Field of Classification Search** D6/334–335,
D6/374, 376, 379–380, 449, 500–502; 297/411.29,
297/445.1, 446.1, 452.12, 452.14, 452.18,
297/452.19, 448.1

See application file for complete search history.

(56) **References Cited**

U.S. PATENT DOCUMENTS

D505,801 S * 6/2005 Cesaroni et al. D6/379
D517,828 S * 3/2006 Magnani et al. D6/380
D575,542 S * 8/2008 Igarashi D6/380
D591,526 S * 5/2009 Breen D6/379
D591,527 S * 5/2009 Breen D6/379
D592,876 S * 5/2009 Smith et al. D6/380
D609,037 S * 2/2010 Miller et al. D6/500

D622,974 S * 9/2010 Igarashi D6/379
D638,231 S * 5/2011 Lievore et al. D6/375
D642,394 S * 8/2011 Giugiaro D6/366
D656,761 S * 4/2012 Igarashi et al. D6/502
D657,581 S * 4/2012 Lievore et al. D6/366
D664,785 S * 8/2012 Fletcher et al. D6/376

* cited by examiner

Primary Examiner — Kelley Donnelly

(74) *Attorney, Agent, or Firm* — Sughrue Mion, PLLC

(57) **CLAIM**

The ornamental design for a chair, as shown and described.

DESCRIPTION

FIG. 1 is a perspective view from the front side of a chair according to a first embodiment of our new ornamental design.

FIG. 2 is a perspective view of the rear side of thereof.

FIG. 3 is a front elevation view thereof.

FIG. 4 is a right side elevation view thereof. A left side elevation view is omitted because it is symmetrical to the right side elevation view.

FIG. 5 is a top plan view thereof.

FIG. 6 is a rear elevation view thereof.

FIG. 7 is a bottom plan view thereof.

FIG. 8 is an enlarged sectional view of Line 8-8 in FIG. 3.

FIG. 9 is an enlarged view of the portion 9-9 in FIG. 3; and, FIG. 10 is an enlarged sectional view of Line 10-10 in FIG. 9.

The portions of the chair illustrated in broken lines are for environmental purposes only and form no part of the claimed design.

1 Claim, 10 Drawing Sheets

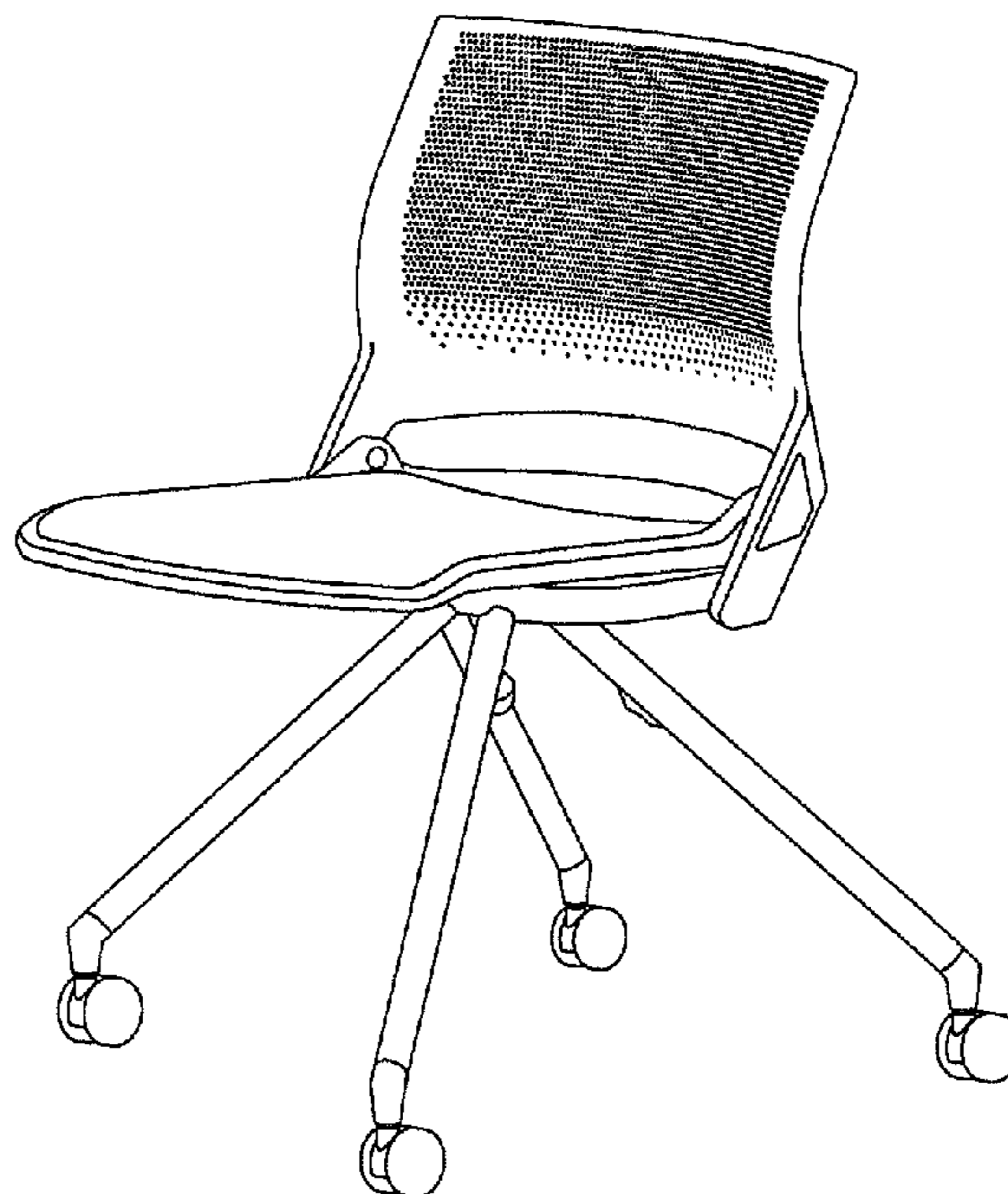


FIG. 1

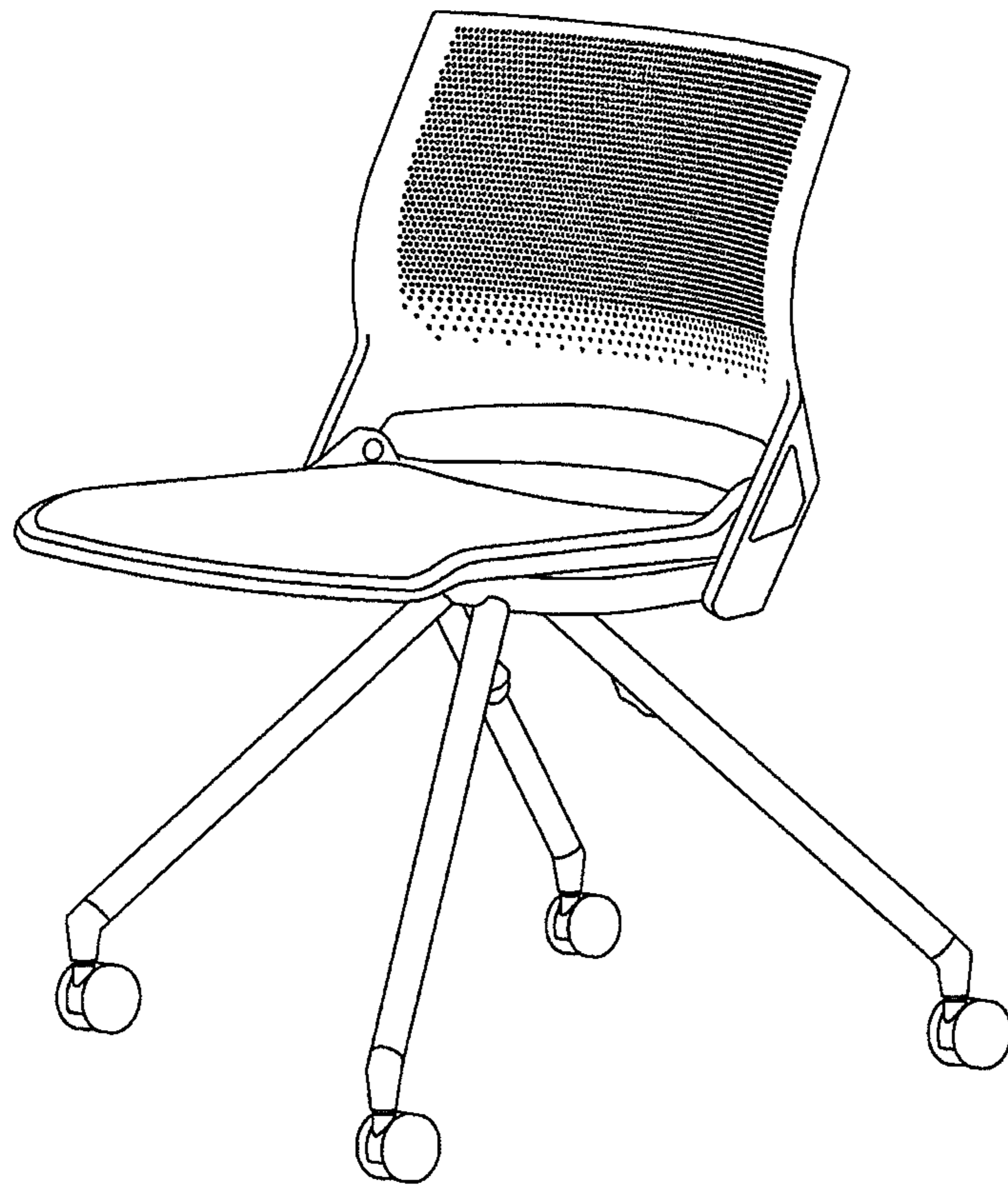


FIG. 2

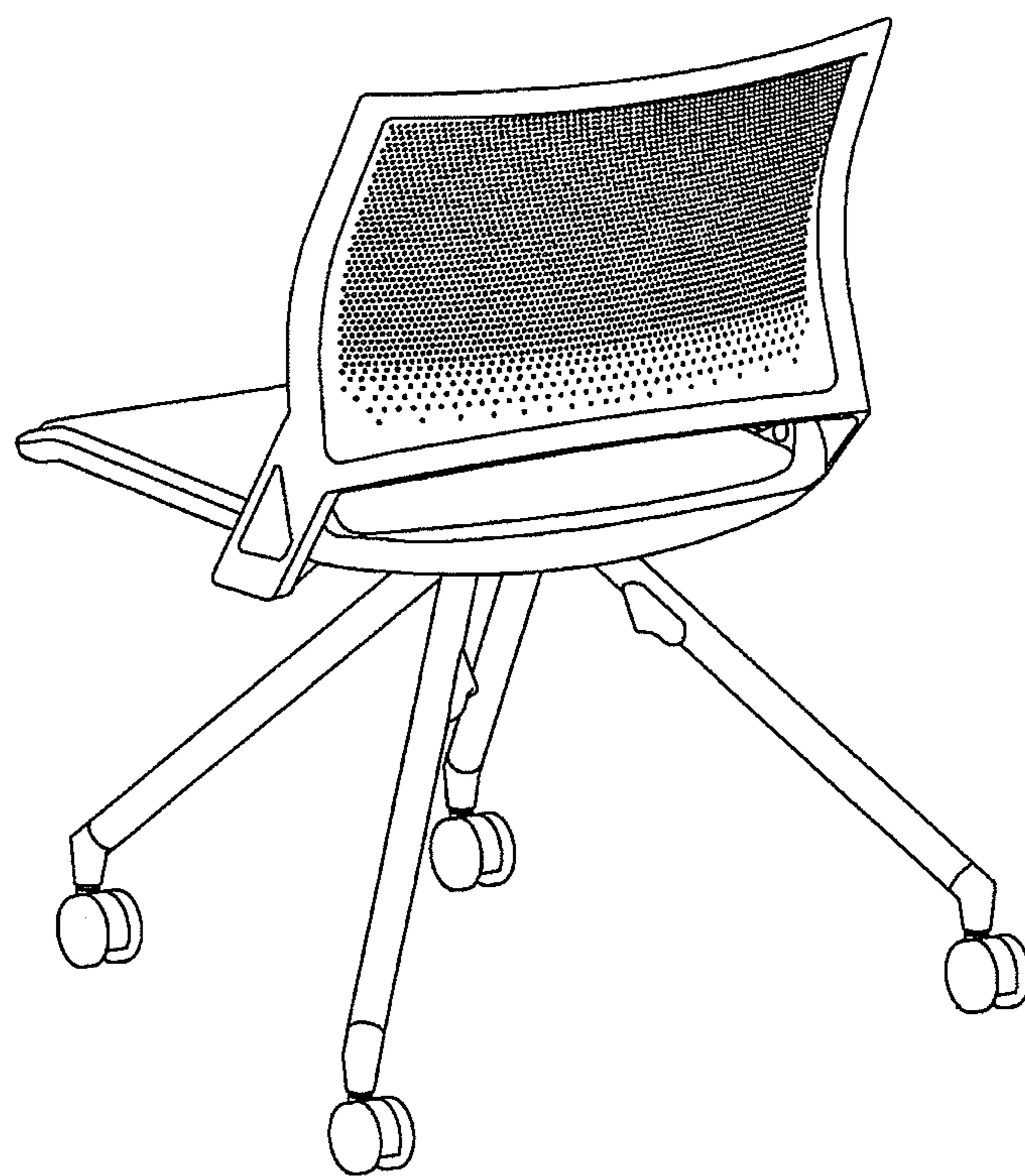


FIG. 3

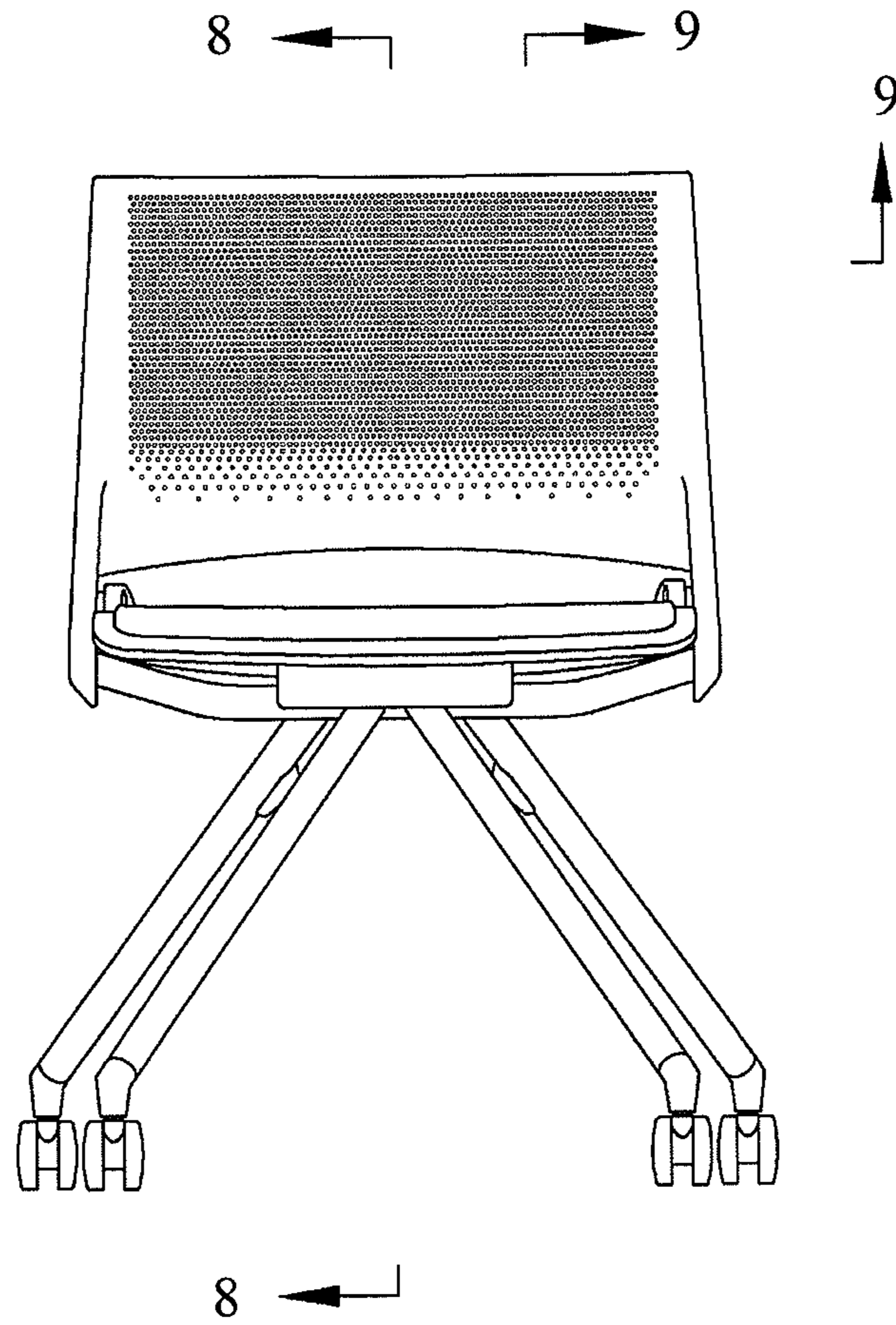


FIG. 4

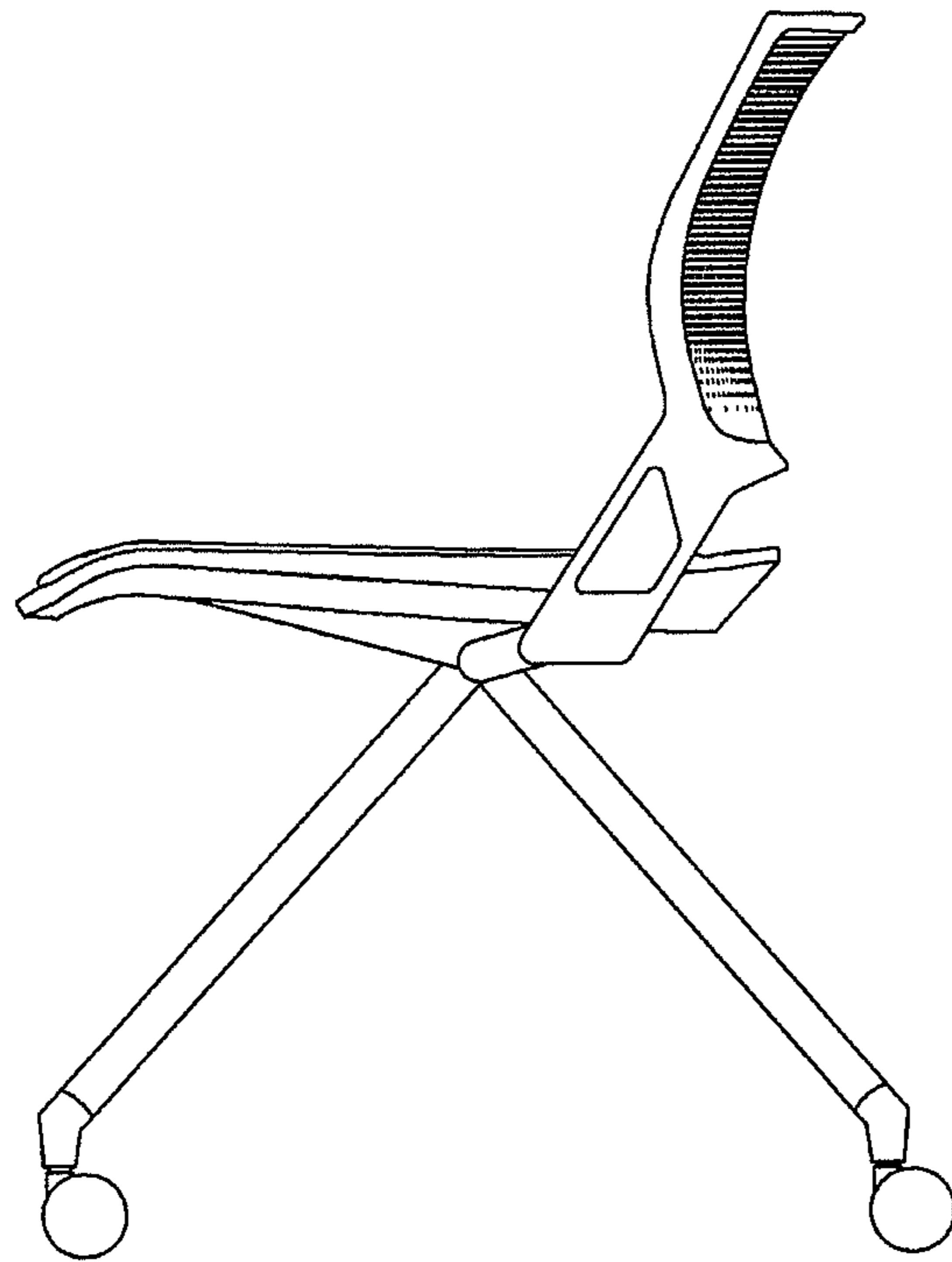


FIG. 5

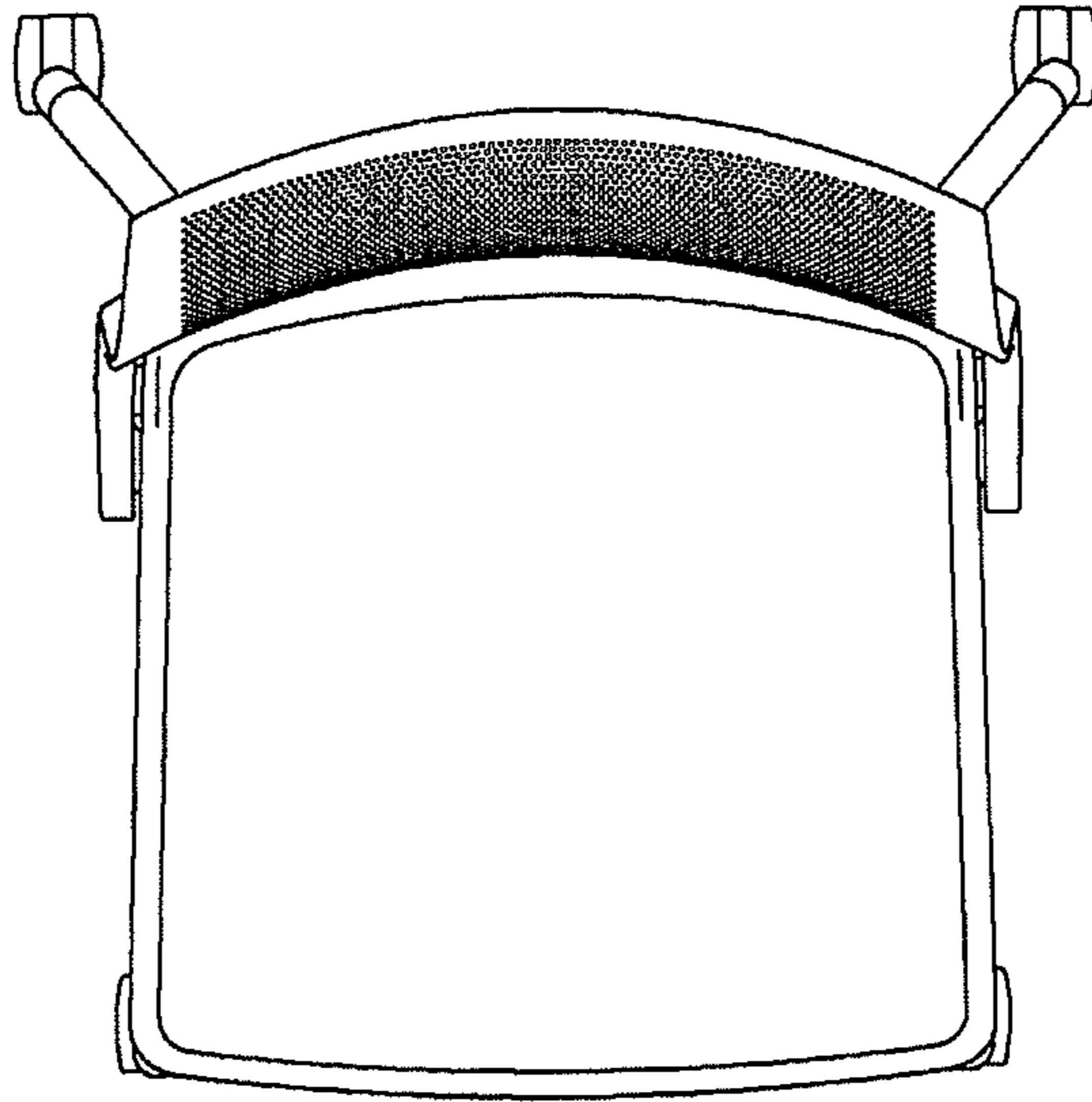


FIG. 6

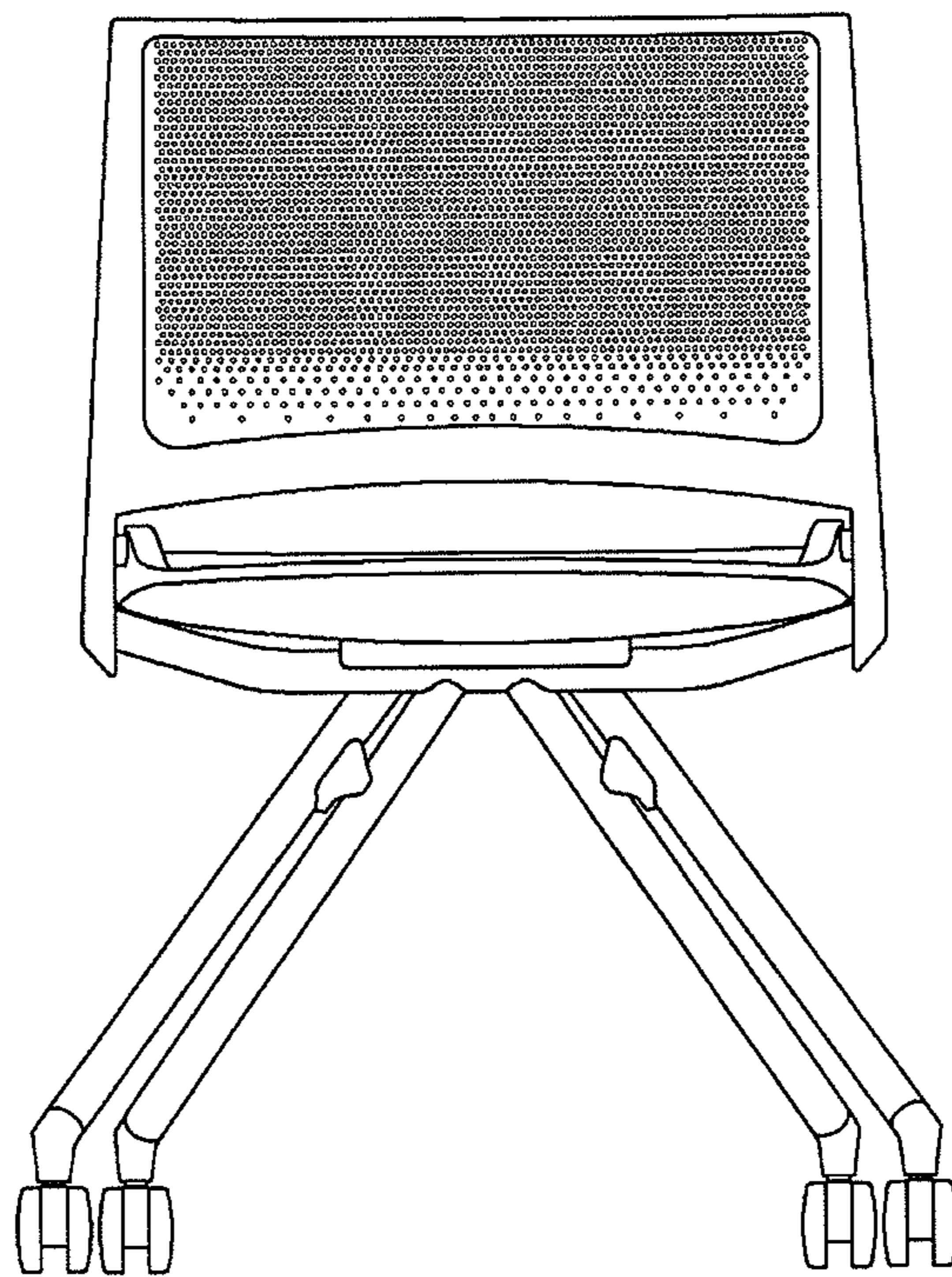


FIG. 7

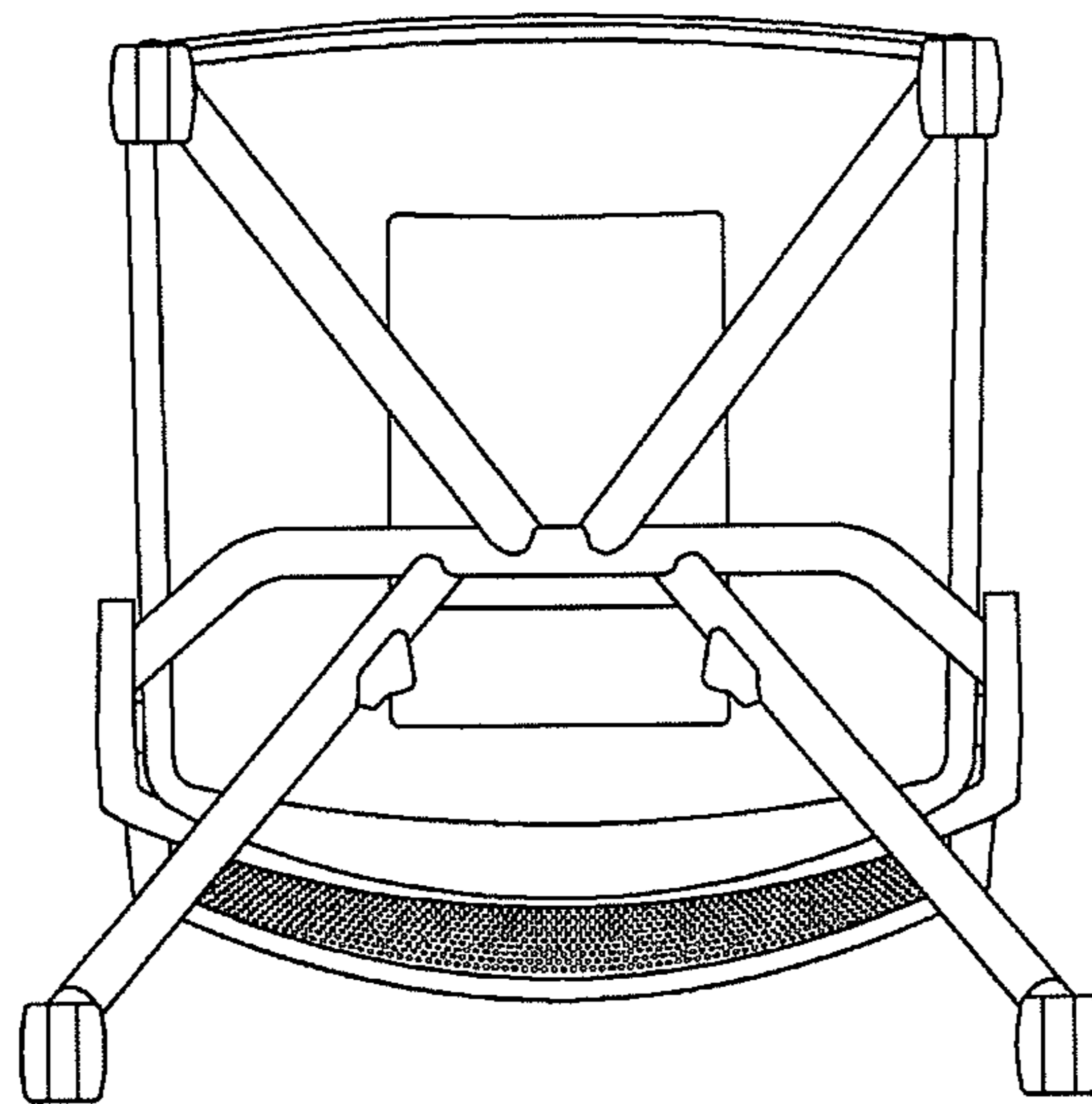


FIG. 8

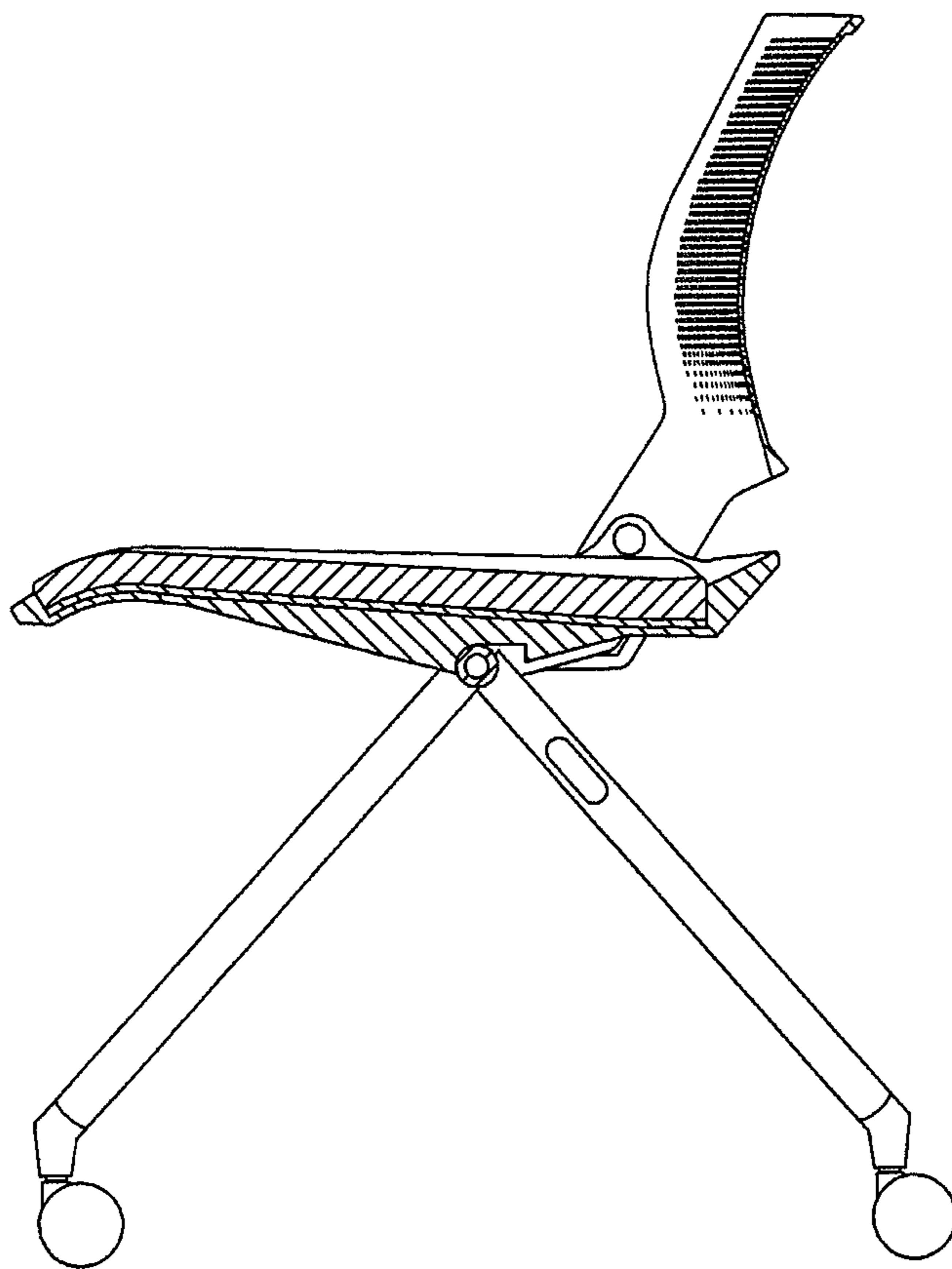


FIG. 9

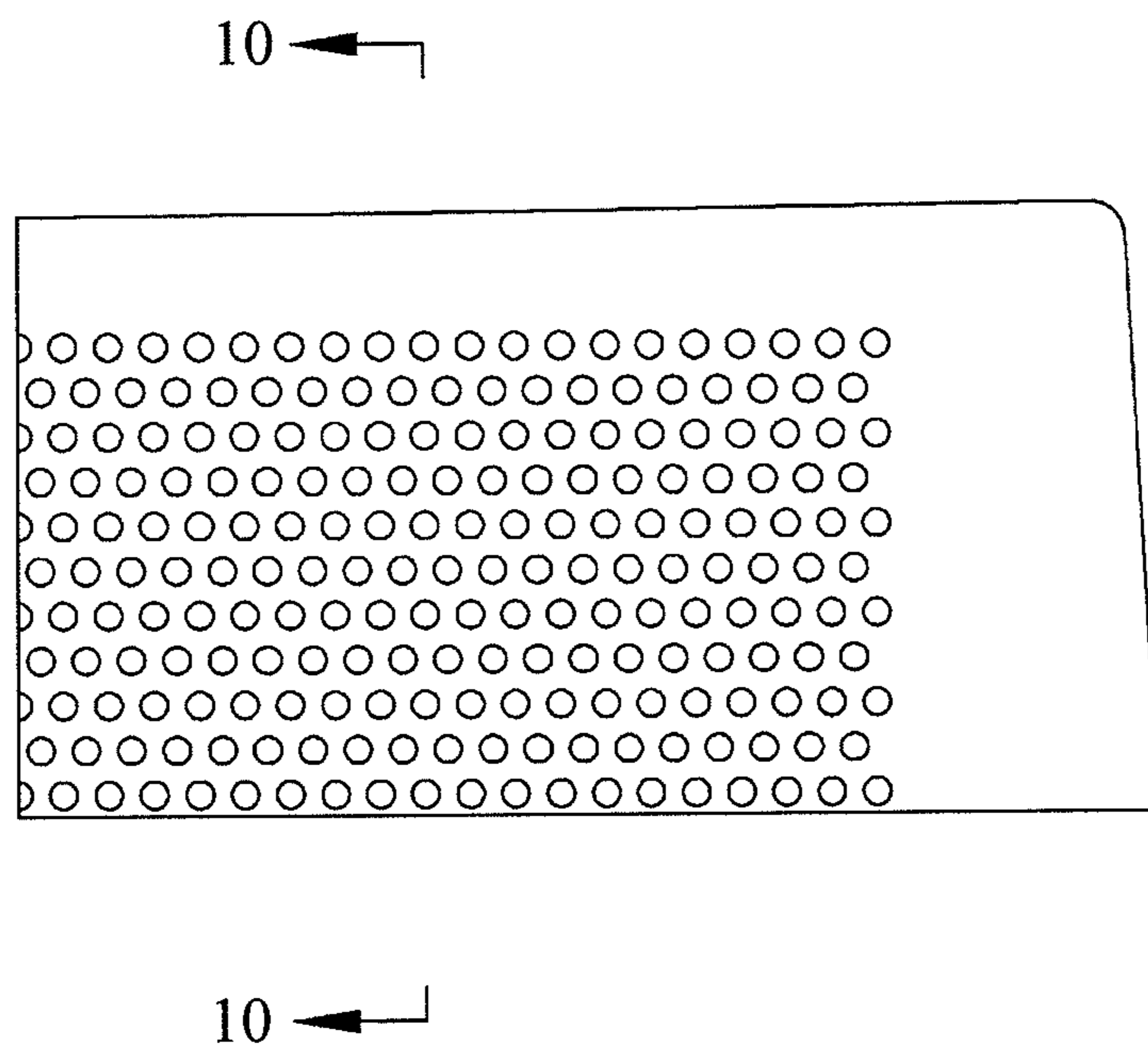
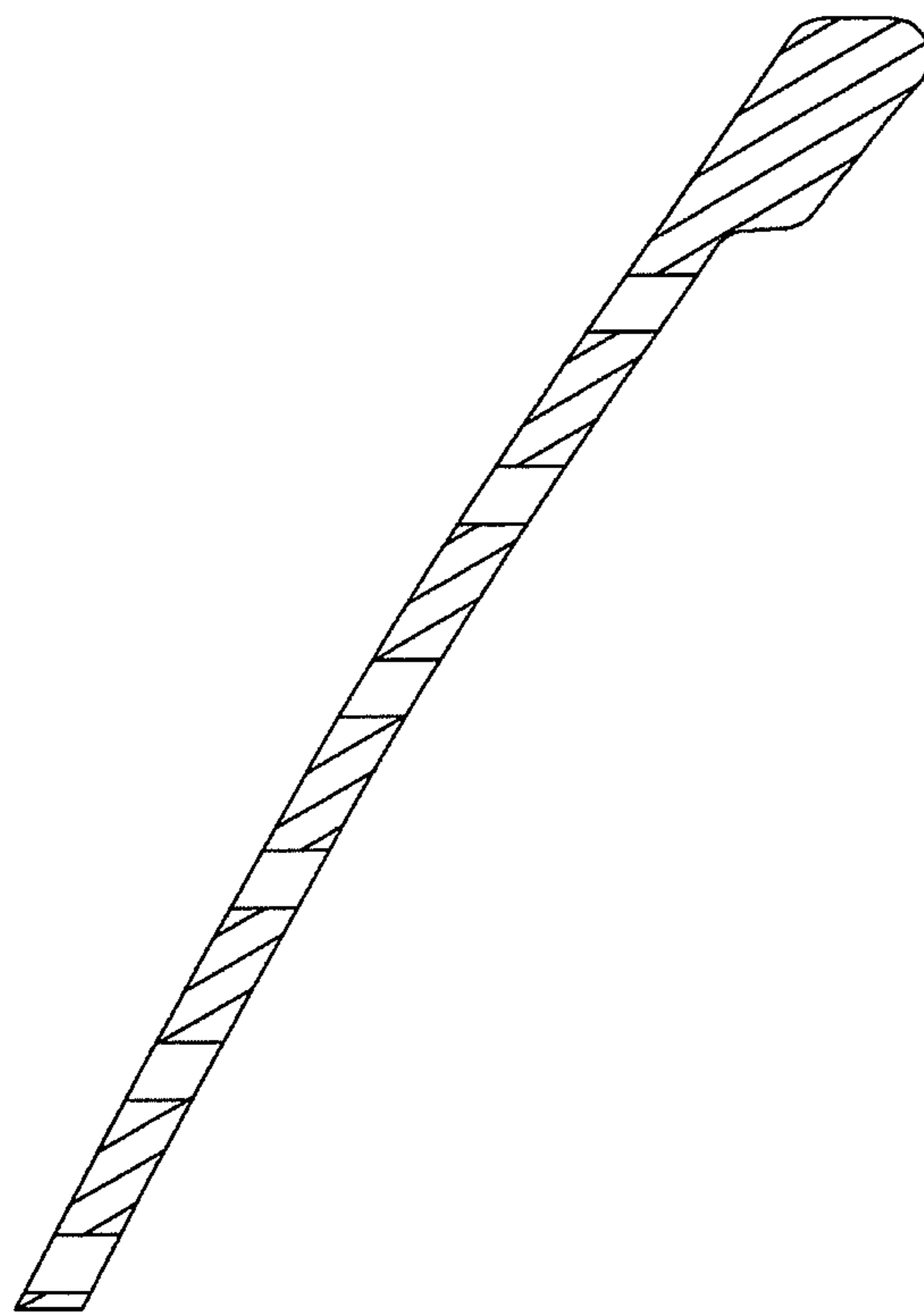


FIG. 10



UNITED STATES PATENT AND TRADEMARK OFFICE
CERTIFICATE OF CORRECTION

PATENT NO. : D680,770 S
APPLICATION NO. : 29/388011
DATED : April 30, 2013
INVENTOR(S) : Yoshihito Hori and Hiroshi Saotome

Page 1 of 1

It is certified that error appears in the above-identified patent and that said Letters Patent is hereby corrected as shown below:

Title Page, under the Description:

Delete the following sentence in its entirety, as there are no broken lines in the drawings:

“The portions of the chair illustrated in broken lines are for environmental purposes only and form no part of the claimed design.”

Signed and Sealed this
Sixteenth Day of September, 2014



Michelle K. Lee
Deputy Director of the United States Patent and Trademark Office