



US00D680765S

(12) **United States Design Patent**  
**Ballendat**

(10) **Patent No.:** **US D680,765 S**

(45) **Date of Patent:** **\*\* Apr. 30, 2013**

(54) **CHAIR**

(75) Inventor: **Martin Ballendat**, Braunau (AT)

(73) Assignee: **Dauphin**  
**Entwicklungs-u.Beteiligungs-GmbH,**  
Hersbruck (DE)

(\*\*) Term: **14 Years**

(21) Appl. No.: **29/417,753**

(22) Filed: **Apr. 9, 2012**

(30) **Foreign Application Priority Data**

Oct. 11, 2011 (DE) ..... 40 2011 004 976

(51) **LOC (9) Cl.** ..... **06-01**

(52) **U.S. Cl.**  
USPC ..... **D6/366**

(58) **Field of Classification Search** ..... D6/334-336,  
D6/364, 365, 366, 367, 370, 374, 379, 380,  
D6/498, 500-502; 297/411.28, 445.1, 446.1,  
297/452.15, 452.29, 452.32, 452.36, 452.48

See application file for complete search history.

(56) **References Cited**

U.S. PATENT DOCUMENTS

D507,436	S	*	7/2005	Chao	.....	D6/498
D507,437	S	*	7/2005	Klaasen et al.	.....	D6/500
D600,931	S	*	9/2009	Pearson et al.	.....	D6/366
D654,291	S	*	2/2012	Pearson et al.	.....	D6/500
D660,056	S	*	5/2012	Diffrient	.....	D6/500

\* cited by examiner

*Primary Examiner* — Mimoso De

(74) *Attorney, Agent, or Firm* — McGlew and Tuttle, P.C.

(57) **CLAIM**

The ornamental design for a chair, as shown and described.

**DESCRIPTION**

FIG. 1 is a front view of a chair, showing my new design;  
FIG. 2 is a rear view thereof;  
FIG. 3 is a top view thereof;  
FIG. 4 is a bottom view thereof;  
FIG. 5 is a lateral view (right side) thereof;  
FIG. 6 is a lateral view (left side) thereof; and,  
FIG. 7 is a perspective view thereof.

**1 Claim, 4 Drawing Sheets**





FIG. 1

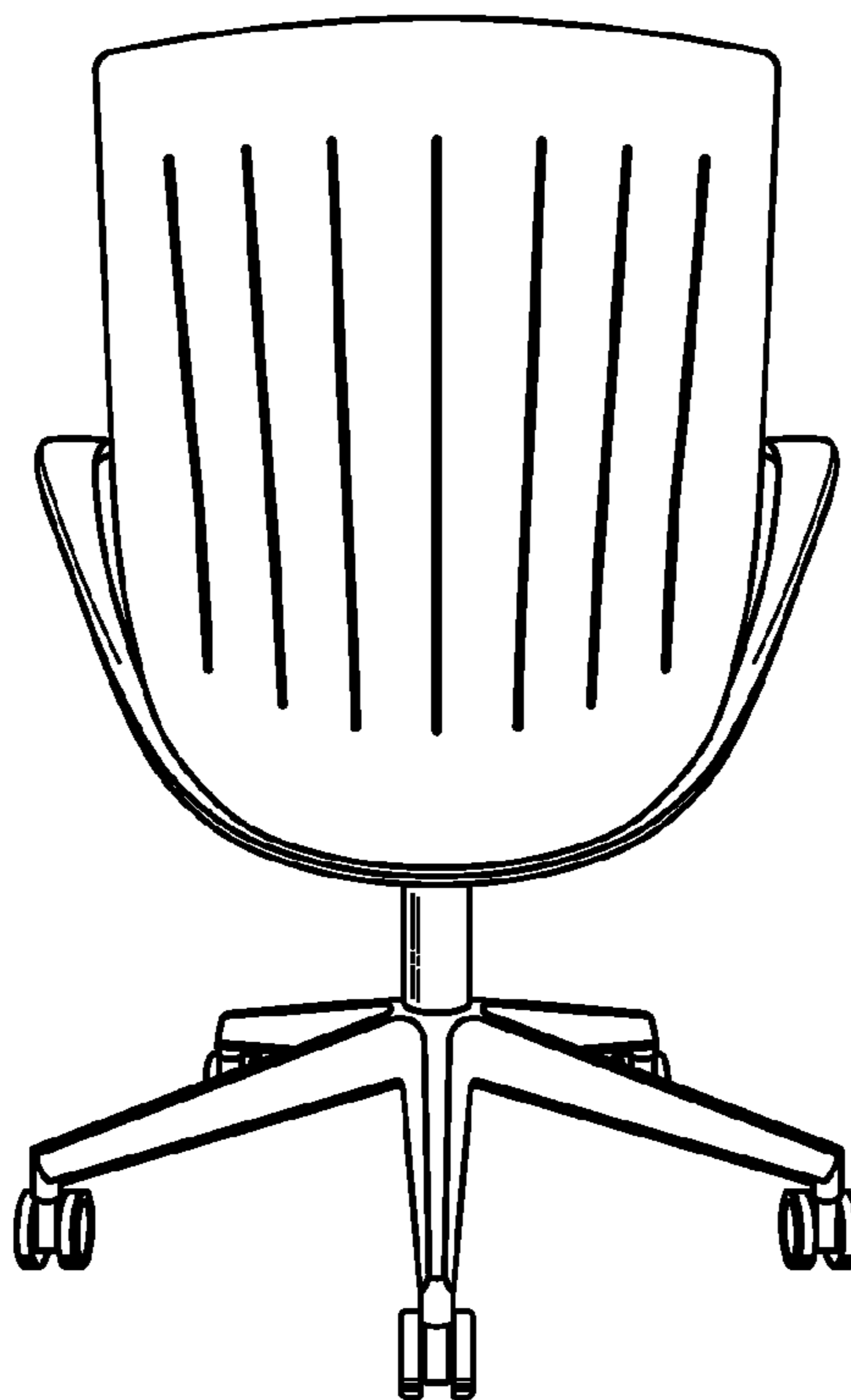


FIG. 2

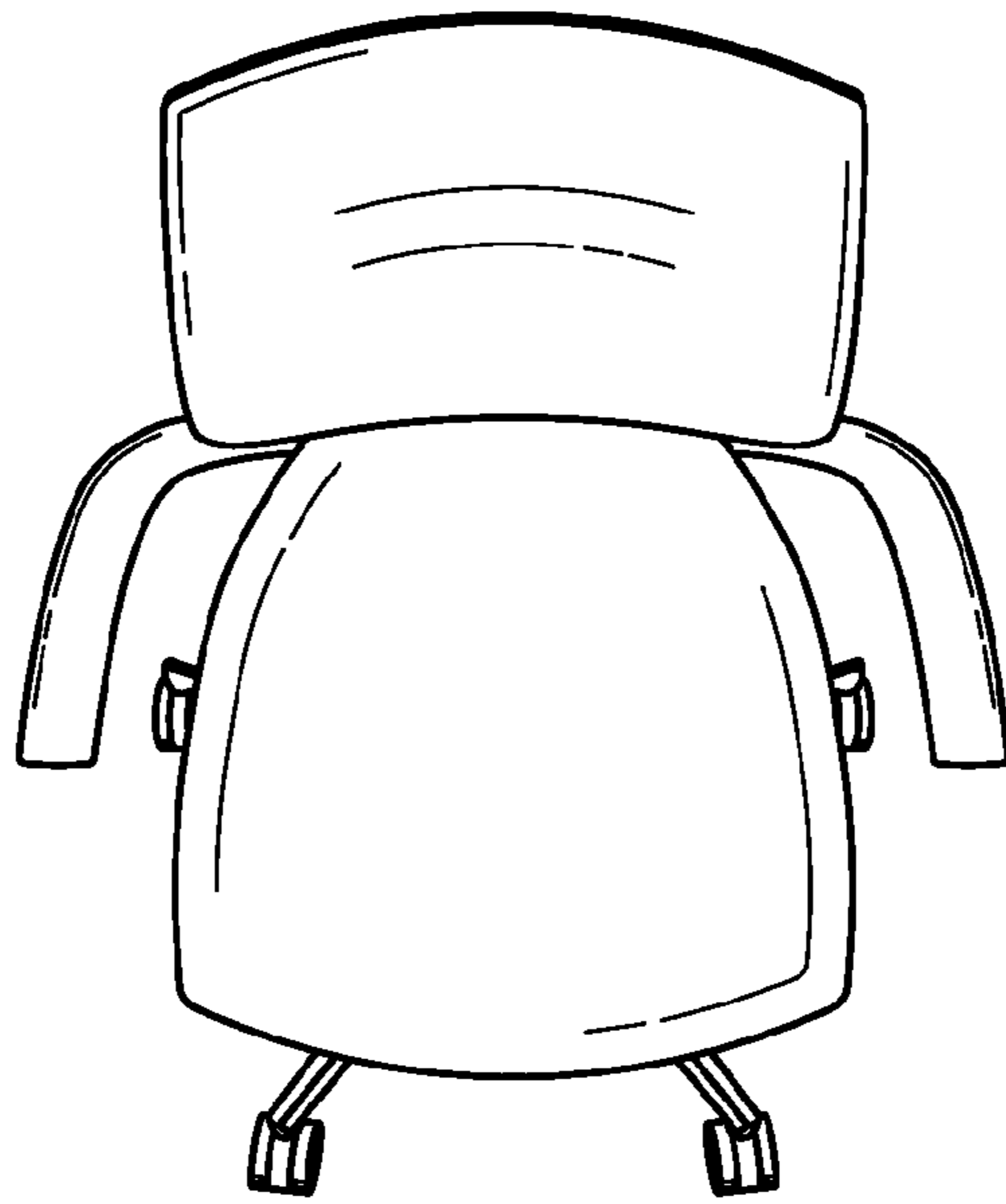


FIG. 3

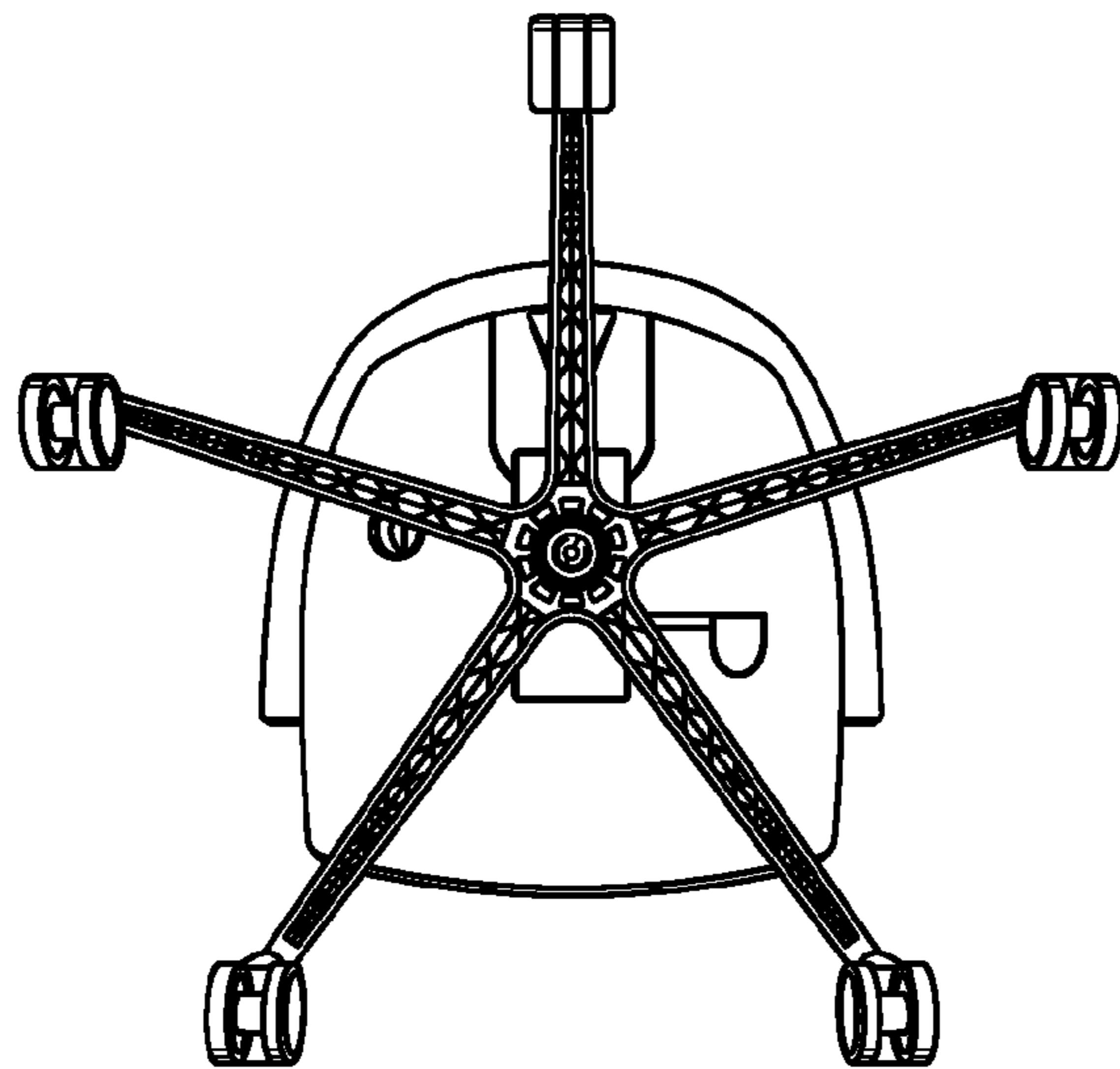


FIG. 4



FIG. 5



FIG. 6



FIG. 7