



US00D680763S

(12) **United States Design Patent**
Ouchi

(10) **Patent No.:** **US D680,763 S**
(45) **Date of Patent:** **** Apr. 30, 2013**

(54) **MASSAGE MACHINE**

(75) Inventor: **Satoshi Ouchi**, Tottori (JP)

(73) Assignee: **Family Co., Ltd.**, Osaka (JP)

(**) Term: **14 Years**

(21) Appl. No.: **29/371,963**

(22) Filed: **Feb. 27, 2012**

(30) **Foreign Application Priority Data**

Aug. 30, 2011 (JP) D2011-019527

(51) **LOC (9) Cl.** **06-01**

(52) **U.S. Cl.**
USPC **D6/336**

(58) **Field of Classification Search** D6/330,
D6/335-338, 340, 349-355, 358, 359, 364,
D6/366, 376, 491, 495, 500-502; 297/16.1,
297/39, 46, 135, 140, 156, 158.3, 158.4,
297/175, 177, 187, 195.1, 195.11, 211, 245,
297/423.1, 423.16, 445.1, 461, 462, 136,
297/170, 172, 174 F
See application file for complete search history.

(56) **References Cited**

U.S. PATENT DOCUMENTS

D288,505 S * 3/1987 Yamasaki D6/360
D517,338 S * 3/2006 Inada et al. D6/367

D536,893 S * 2/2007 Lifeng D6/367
D536,894 S * 2/2007 Potter D6/367
D536,896 S * 2/2007 Kawamura D6/367
D537,262 S * 2/2007 Lifeng D6/367
D537,644 S * 3/2007 Kawamura D6/367
D575,069 S * 8/2008 Potter D6/335
D580,665 S * 11/2008 Aoki et al. D6/335
D580,671 S * 11/2008 Aoki et al. D6/367
D586,138 S * 2/2009 Potter D6/367
D597,753 S * 8/2009 Potter D6/336
D599,572 S * 9/2009 Choi et al. D6/367
D610,362 S * 2/2010 Choi et al. D6/367

* cited by examiner

Primary Examiner — Sandra Snapp

(74) *Attorney, Agent, or Firm* — Rader, Fishman & Grauer
PLLC

(57) **CLAIM**

The ornamental design for a massage machine, as shown.

DESCRIPTION

FIG. 1 is a front, top, left perspective view of a massage machine showing my new design;
FIG. 2 is a front, top, right perspective view thereof;
FIG. 3 is a front elevational view thereof, a rear elevational view thereof being a mirror image;
FIG. 4 is a left side elevational view thereof;
FIG. 5 is a right side elevational view thereof; and,
FIG. 6 is a top plan view thereof.

1 Claim, 6 Drawing Sheets

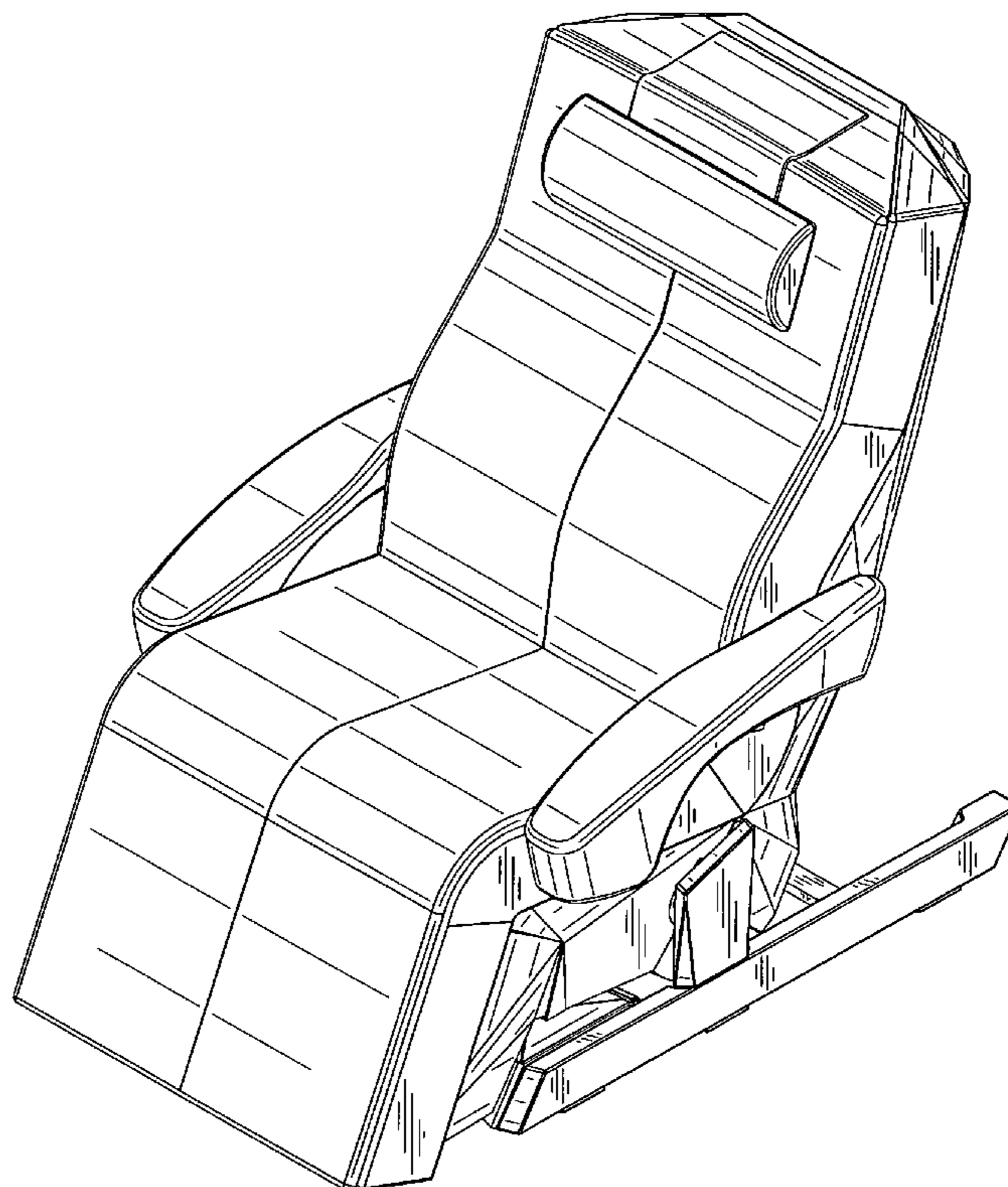


FIG.1

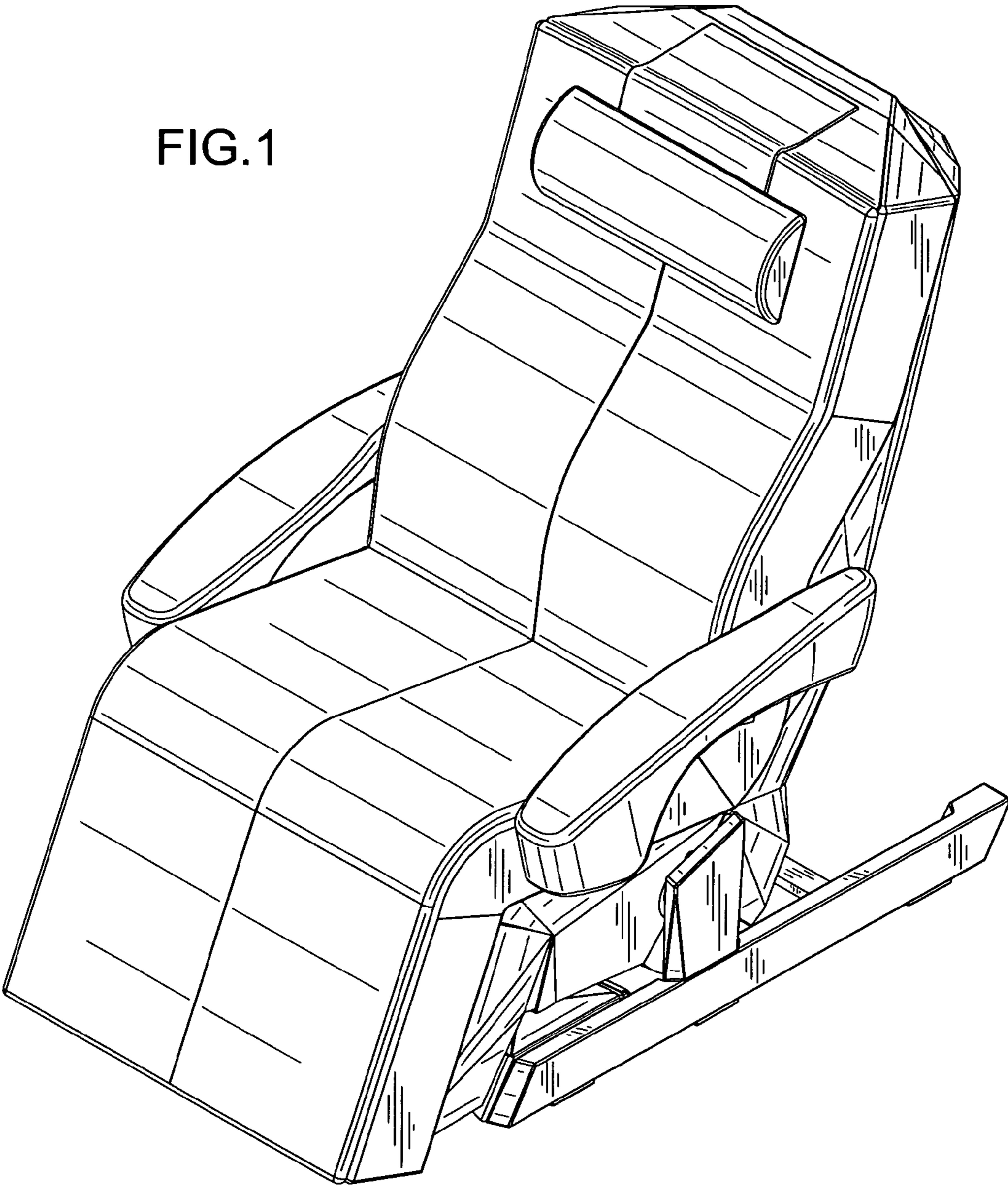


FIG.2

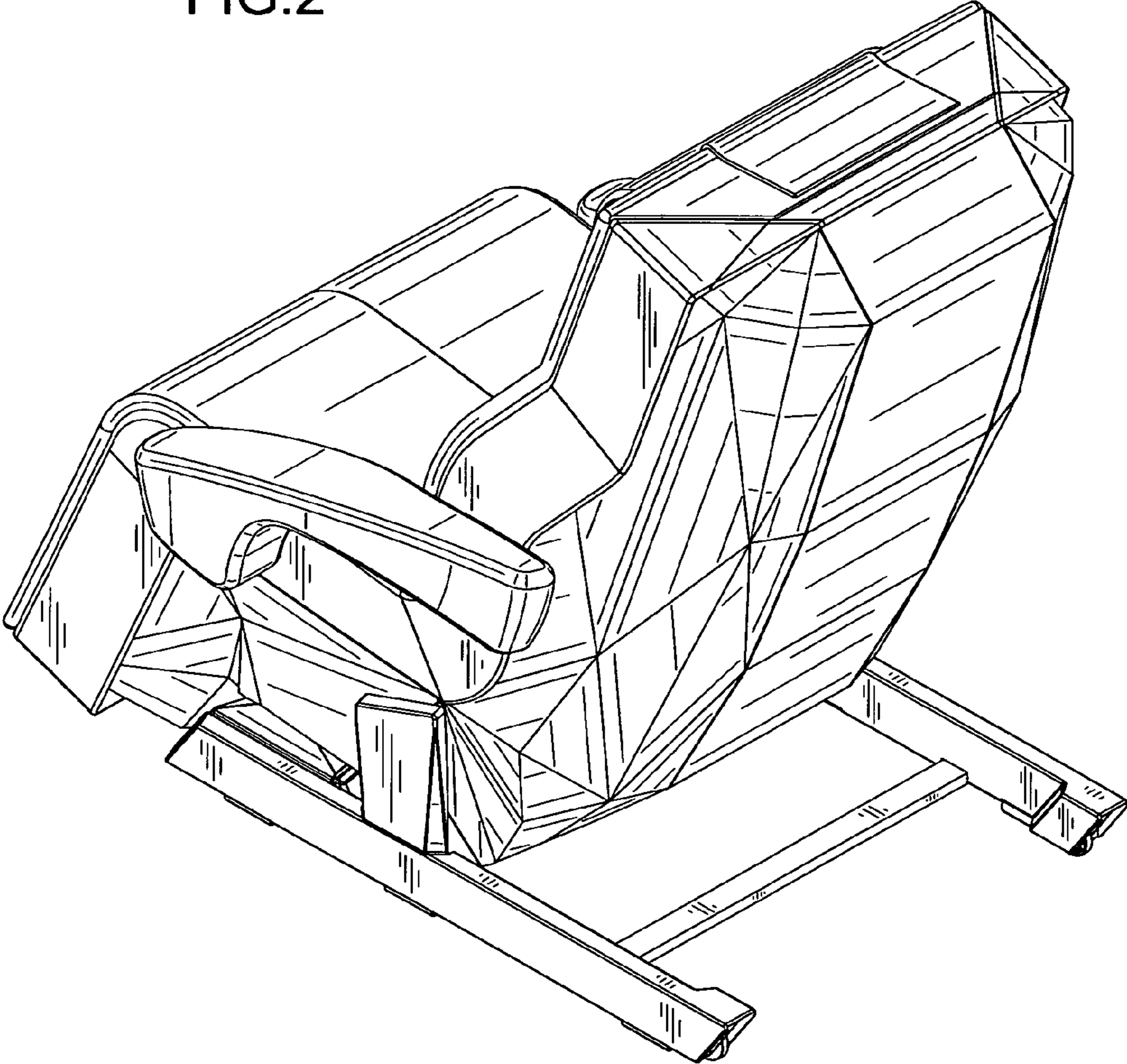


FIG.3

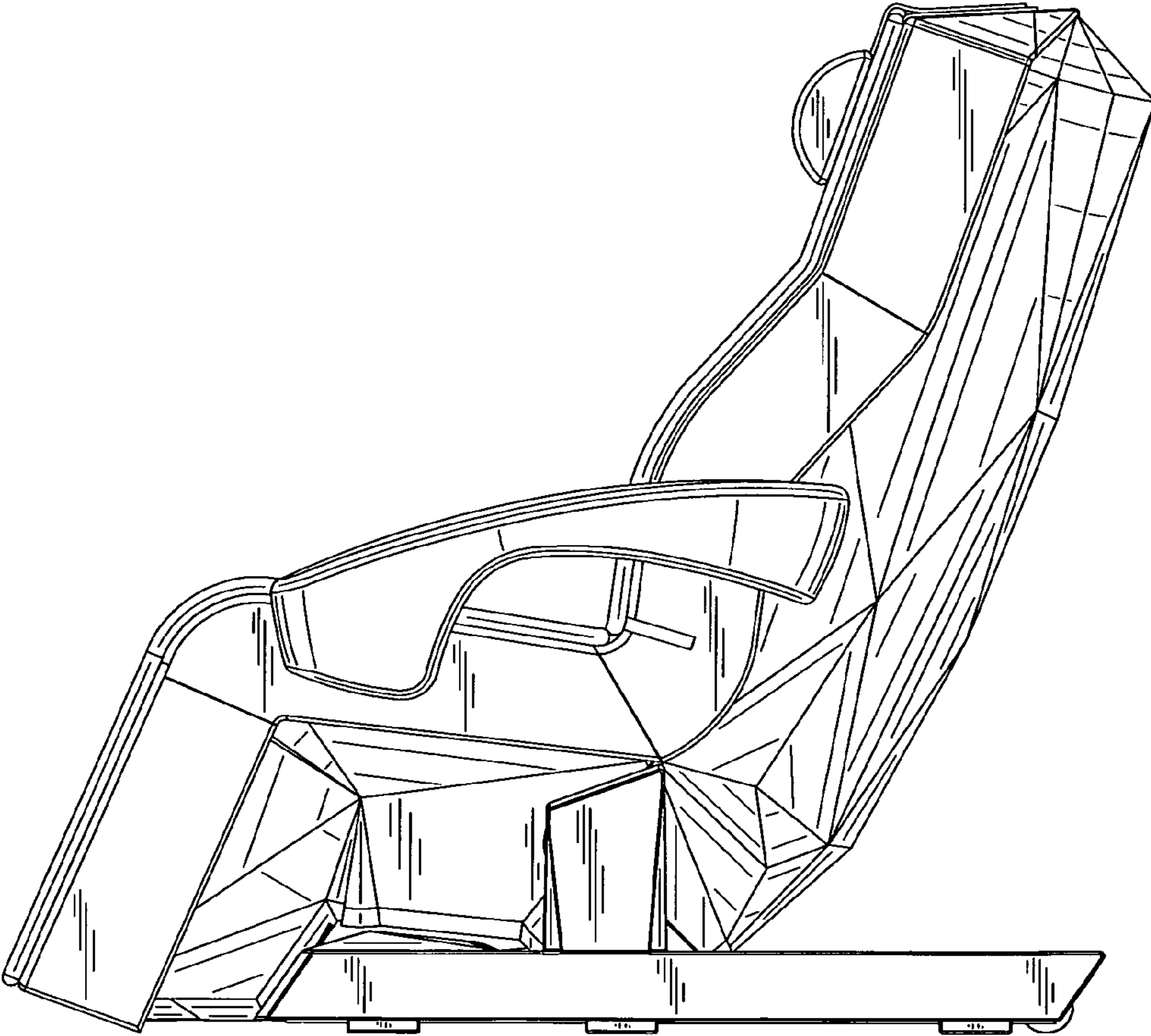


FIG.4

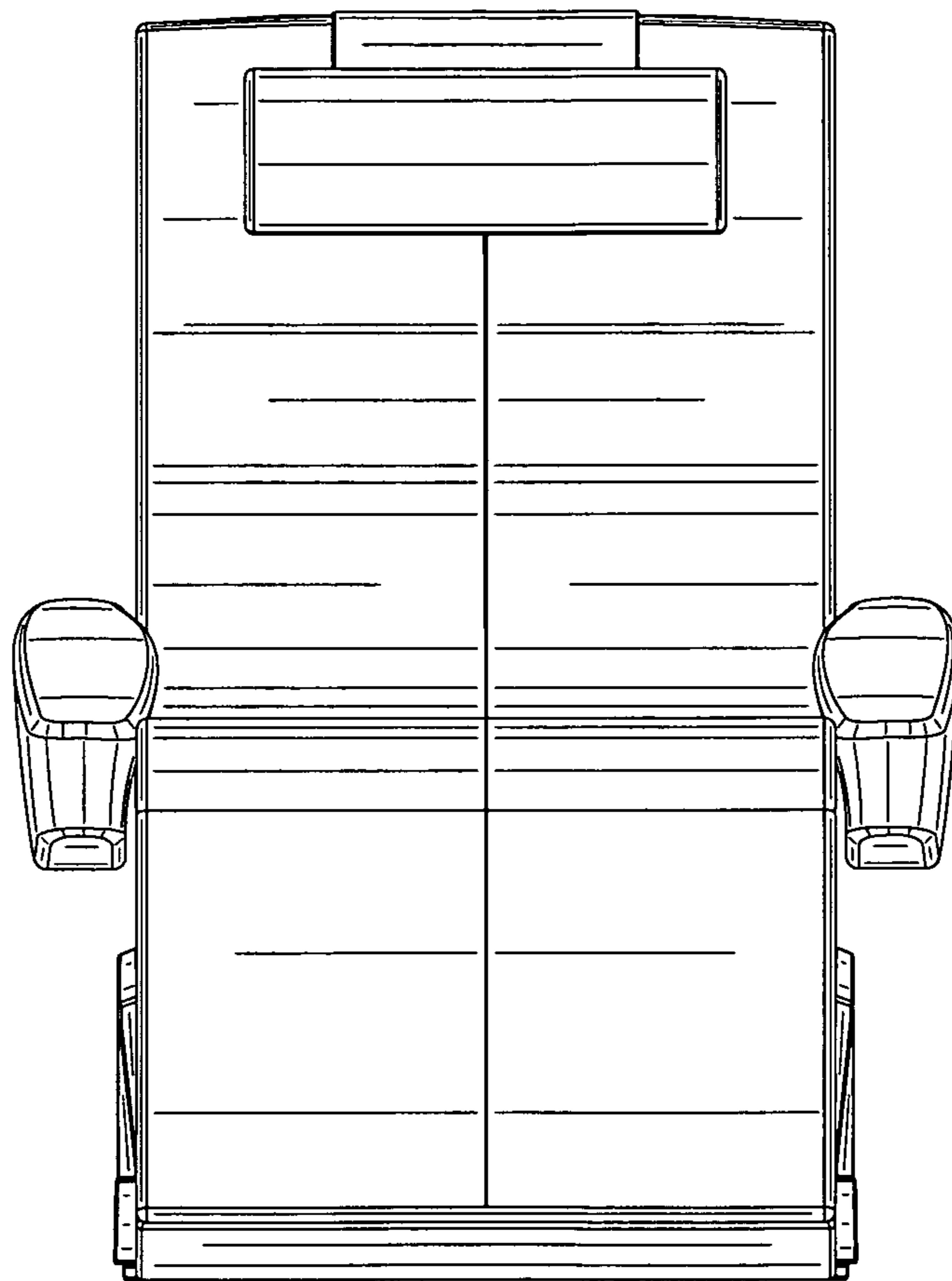


FIG.5

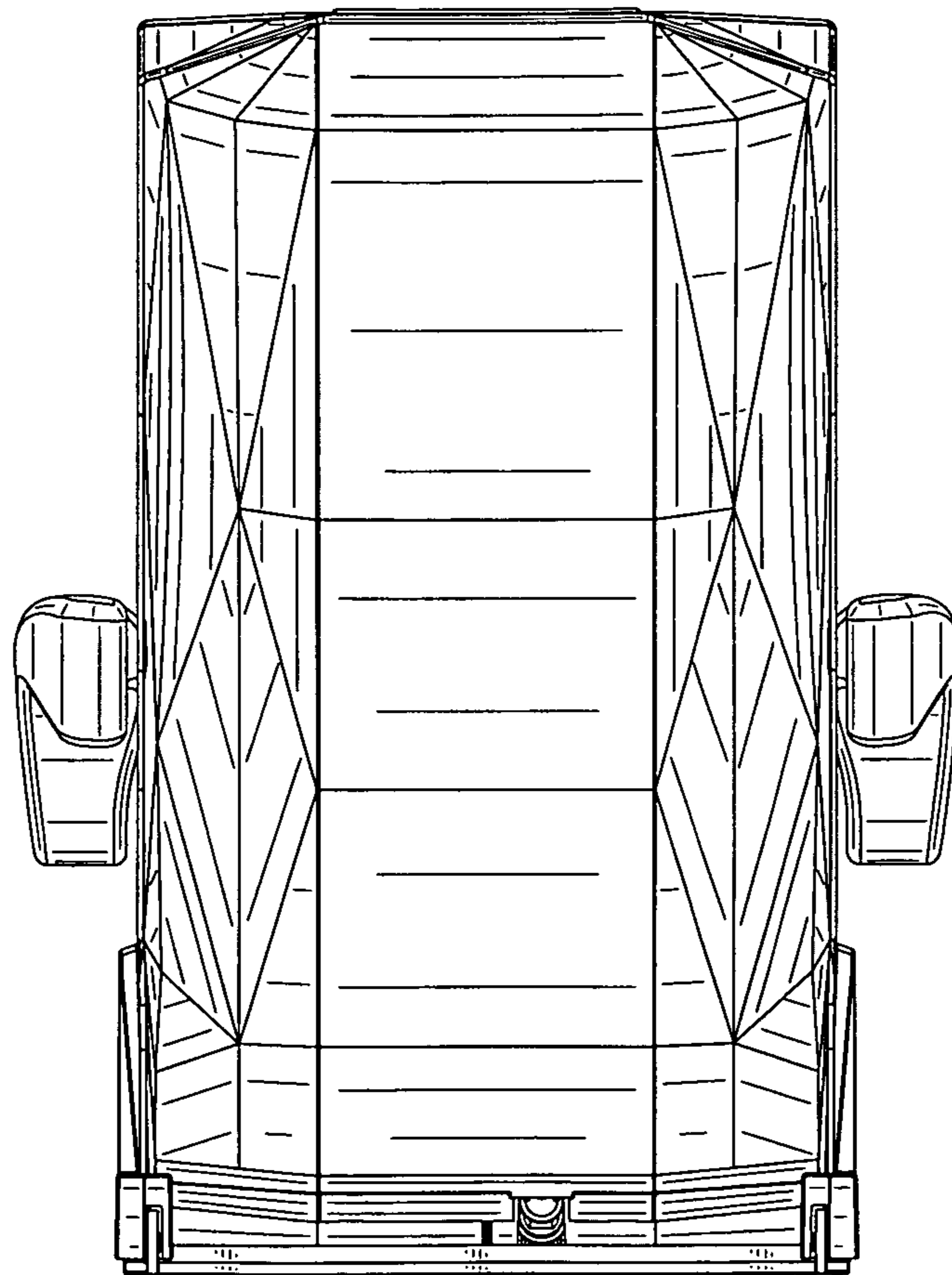


FIG.6

