



US00D680760S

(12) **United States Design Patent**
Hsu

(10) **Patent No.:** **US D680,760 S**
(45) **Date of Patent:** **** Apr. 30, 2013**

(54) **PLAYPEN**

(75) Inventor: **Chuan-Kai Hsu**, Tainan (TW)

(73) Assignee: **Wei Guan Harwaew (Shenzhen) Co., Ltd.**, Shenzhen (CN)

(**) Term: **14 Years**

(21) Appl. No.: **29/404,490**

(22) Filed: **Nov. 3, 2011**

(51) **LOC (9) Cl.** **06-02**

(52) **U.S. Cl.**

USPC **D6/331**

(58) **Field of Classification Search** D6/331,
D6/390, 391; 5/99.1, 98.1, 93.1
See application file for complete search history.

(56) **References Cited**

U.S. PATENT DOCUMENTS

5,349,709	A *	9/1994	Cheng	5/93.1
5,978,987	A *	11/1999	Wang	5/99.1
6,131,218	A *	10/2000	Wang	5/93.1

6,568,004	B1 *	5/2003	Sun	5/99.1
7,055,191	B1 *	6/2006	Chen	5/93.2
7,543,342	B2 *	6/2009	Zhao et al.	5/93.1
2008/0022457	A1 *	1/2008	Wu	5/99.1

* cited by examiner

Primary Examiner — Janice Seeger

(74) *Attorney, Agent, or Firm* — Alan Kamrath; Kamrath IP Lawfirm, P.A.

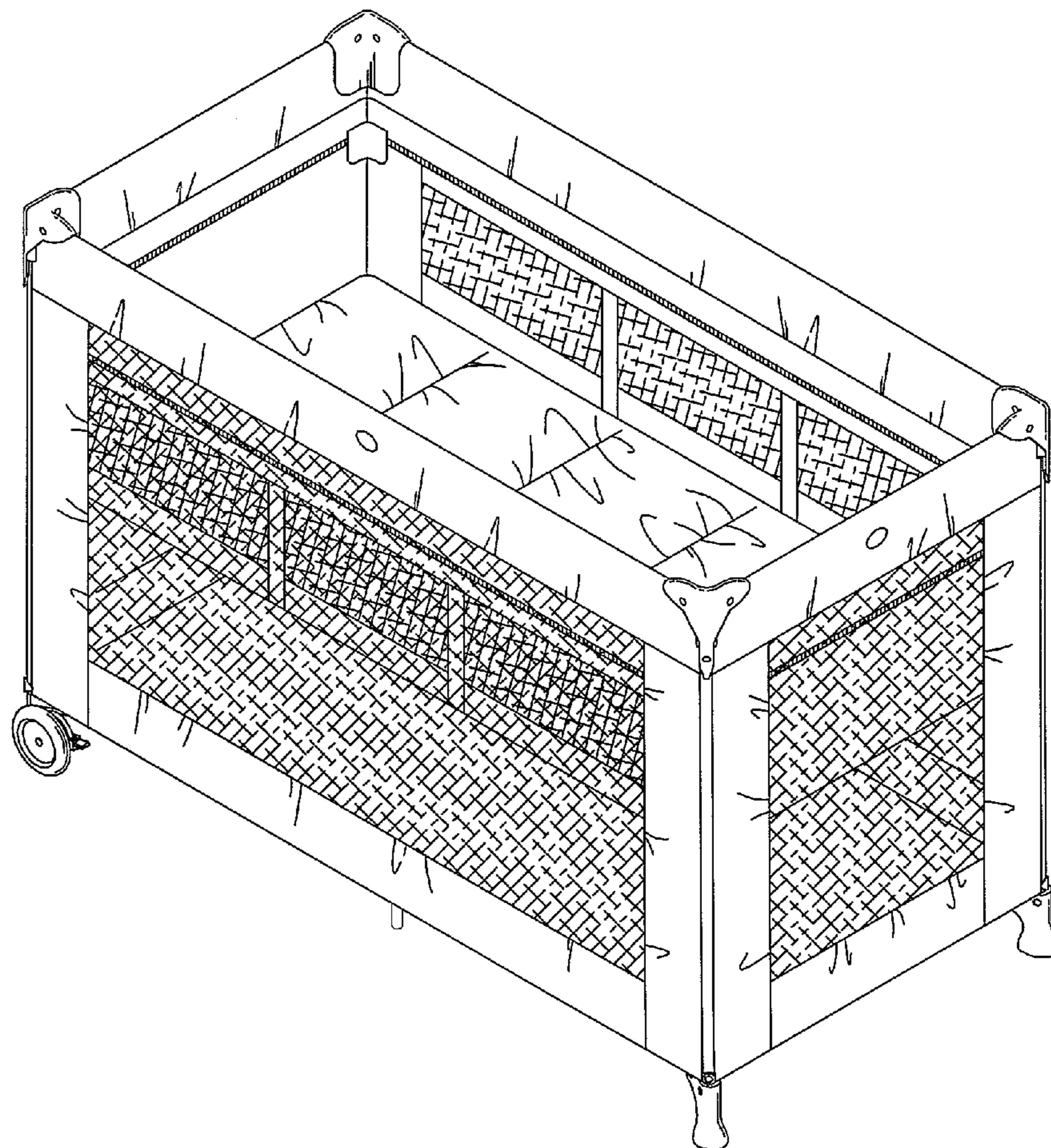
(57) **CLAIM**

The ornamental design for a playpen, as shown and described.

DESCRIPTION

FIG. 1 is a perspective view of a playpen showing my design; FIG. 2 is a front elevational view thereof; FIG. 3 is a rear elevational view thereof; FIG. 4 is a left side elevational view thereof; FIG. 5 is a right side elevational view thereof; FIG. 6 is a top plan view thereof; and, FIG. 7 is a bottom plan view thereof. The broken lines are for environmental purposes only and form no part of the claimed design.

1 Claim, 6 Drawing Sheets



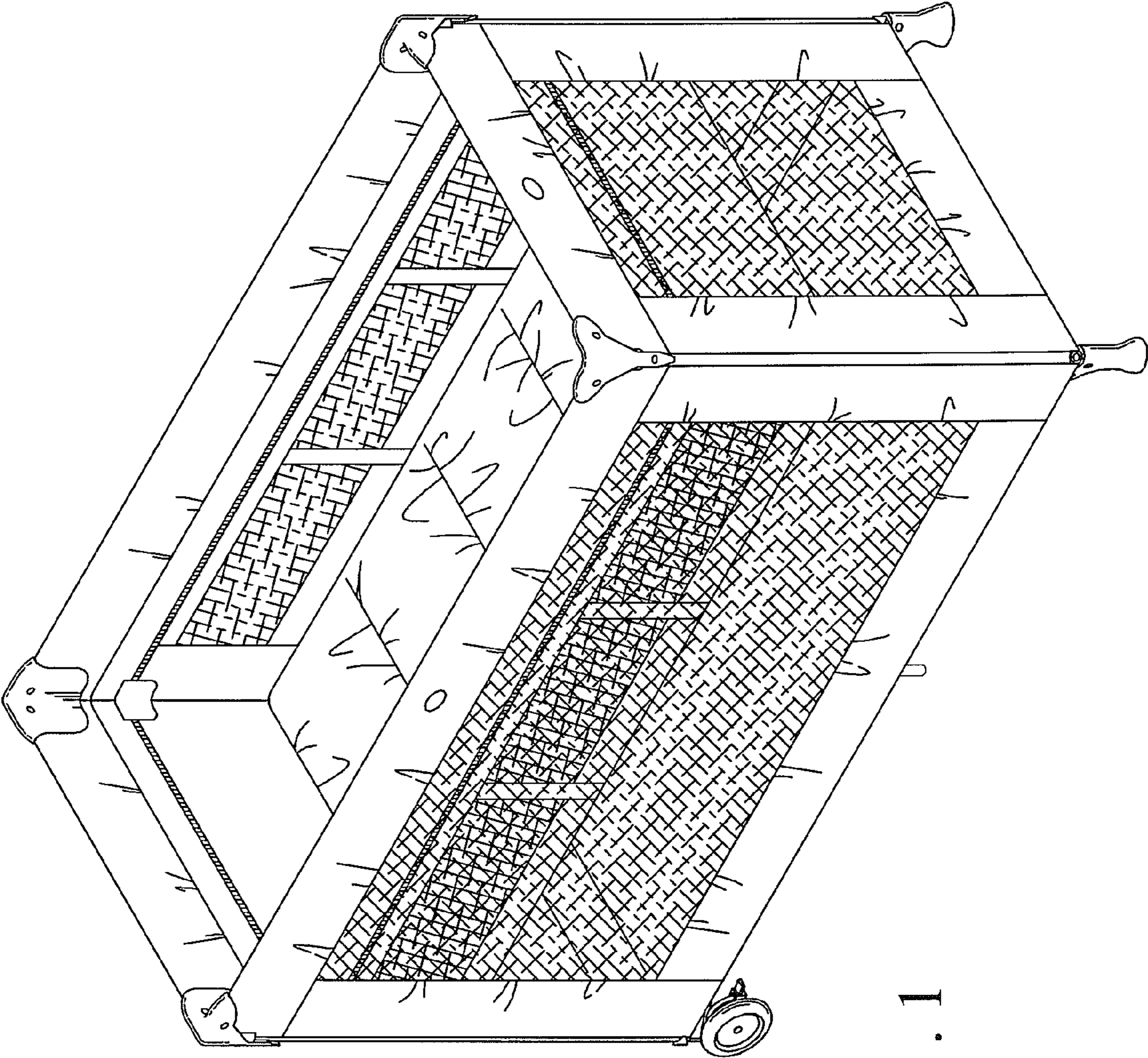


FIG. 1

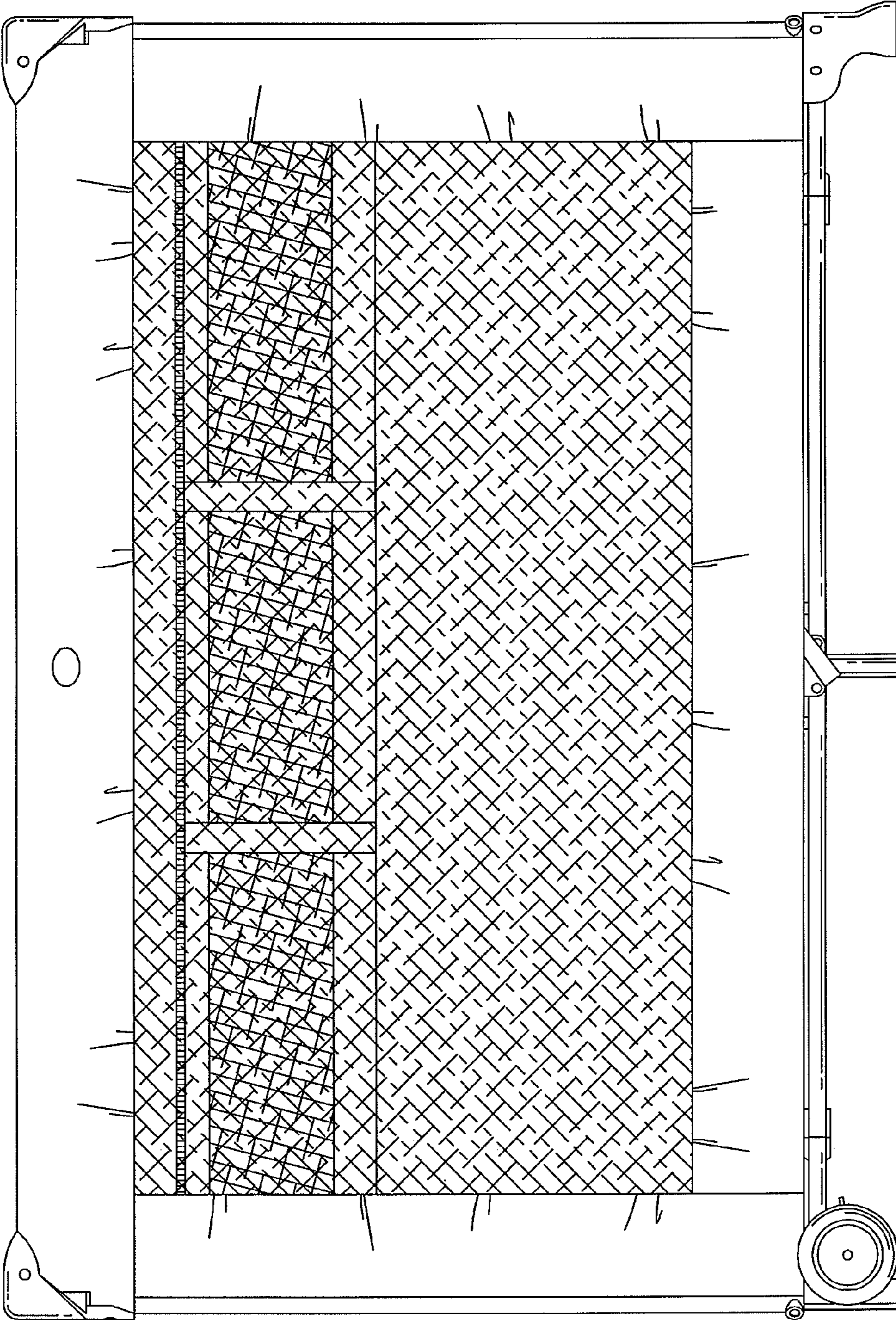


FIG. 2

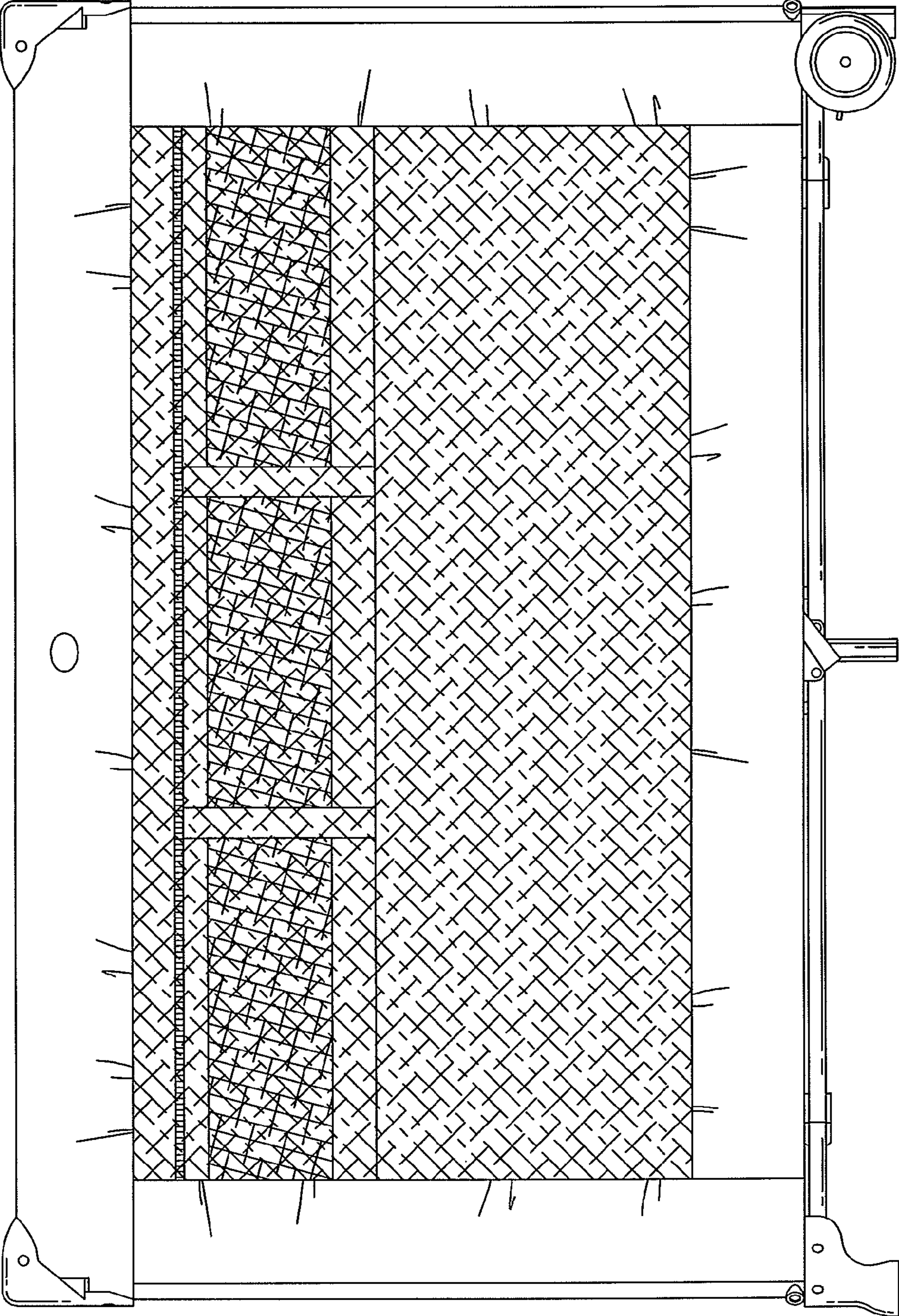


FIG. 3

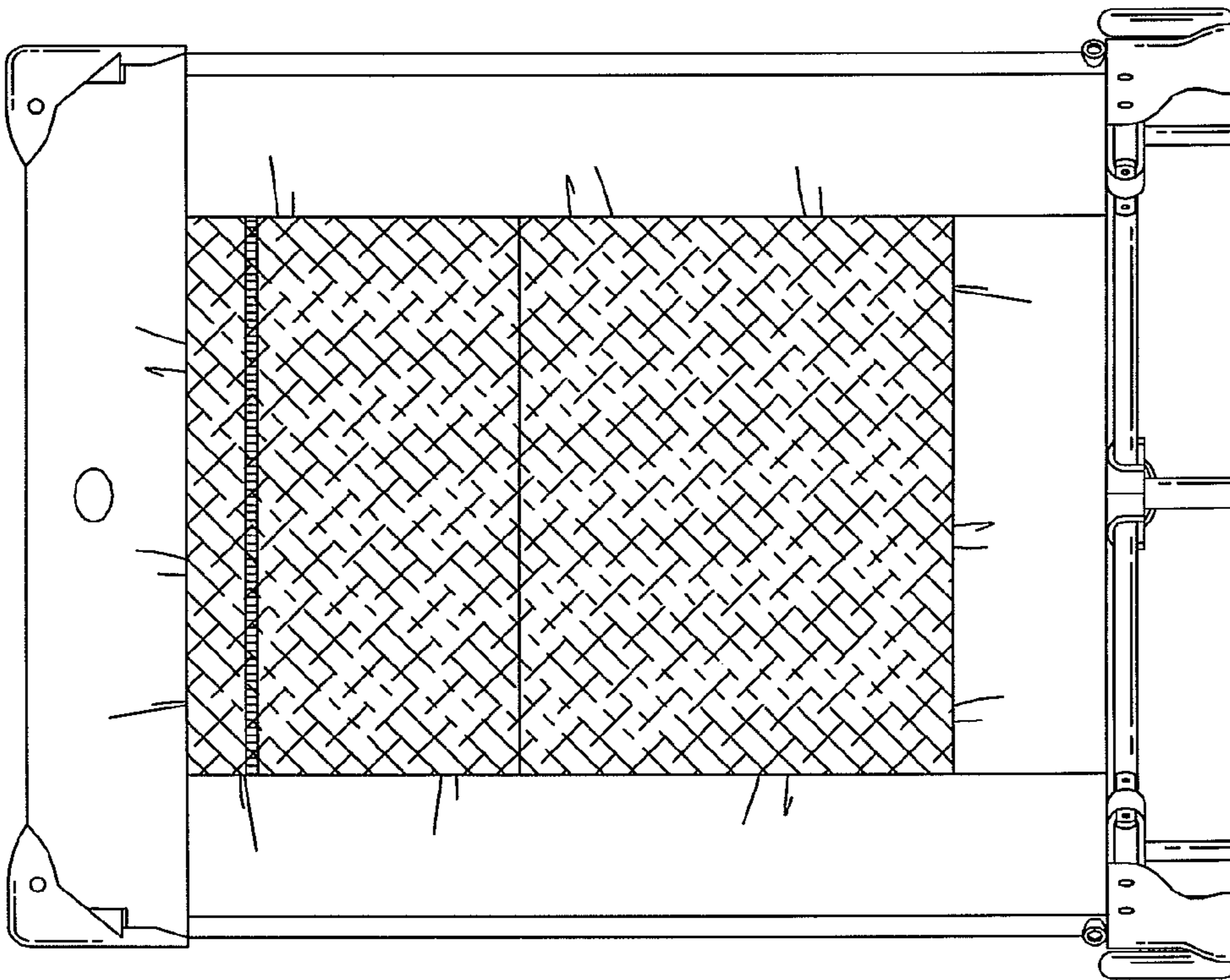


FIG. 5

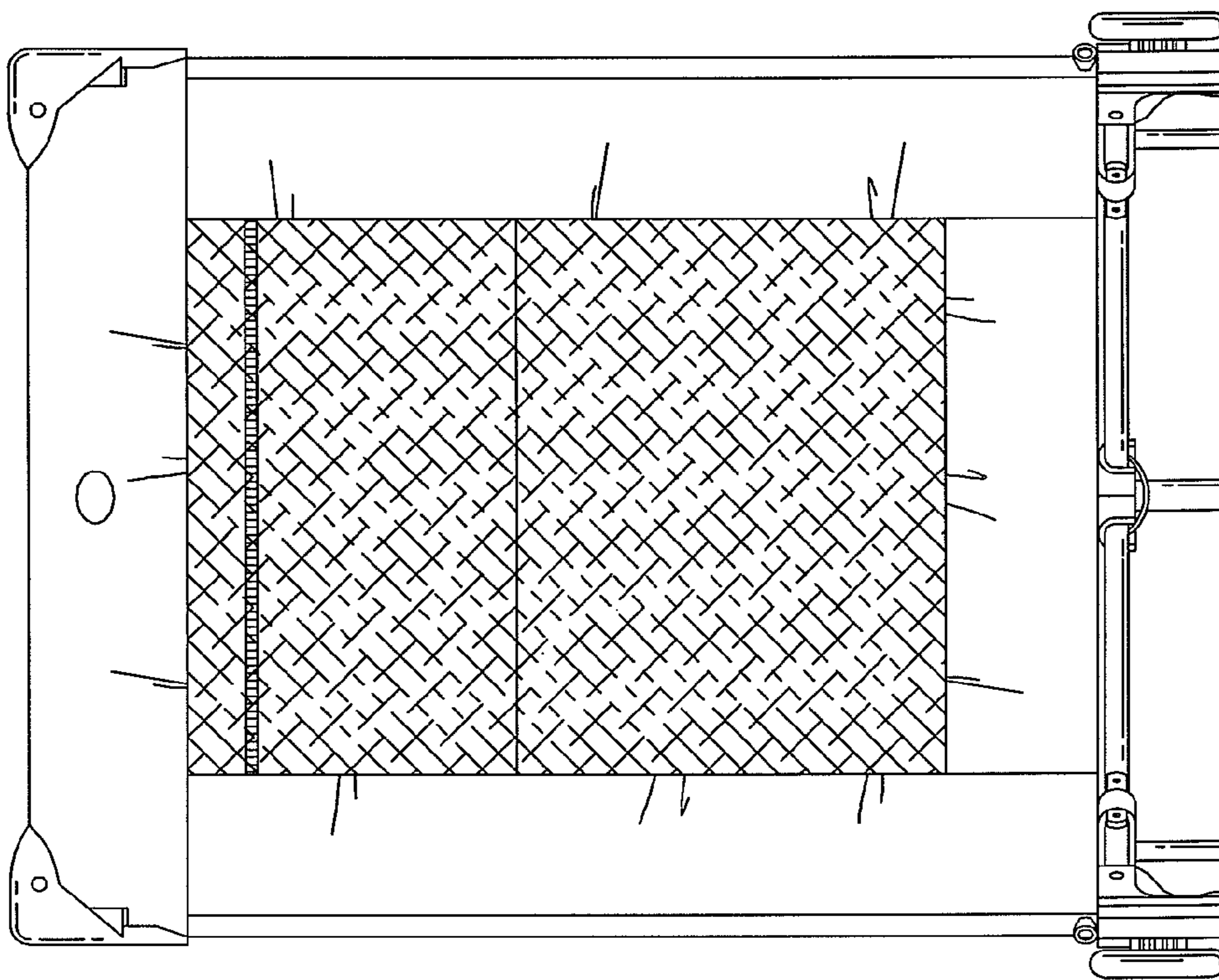


FIG. 4

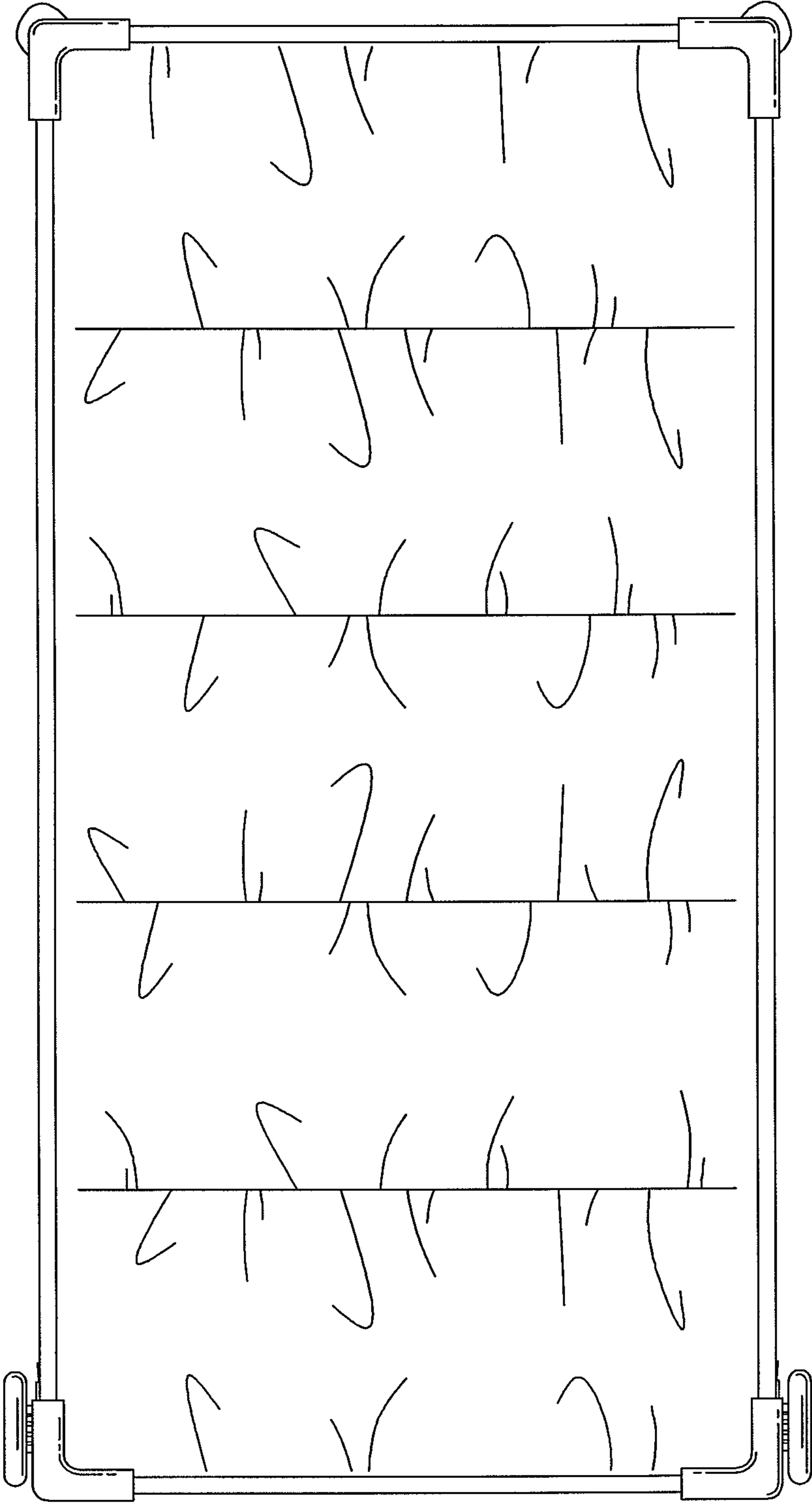


FIG. 6

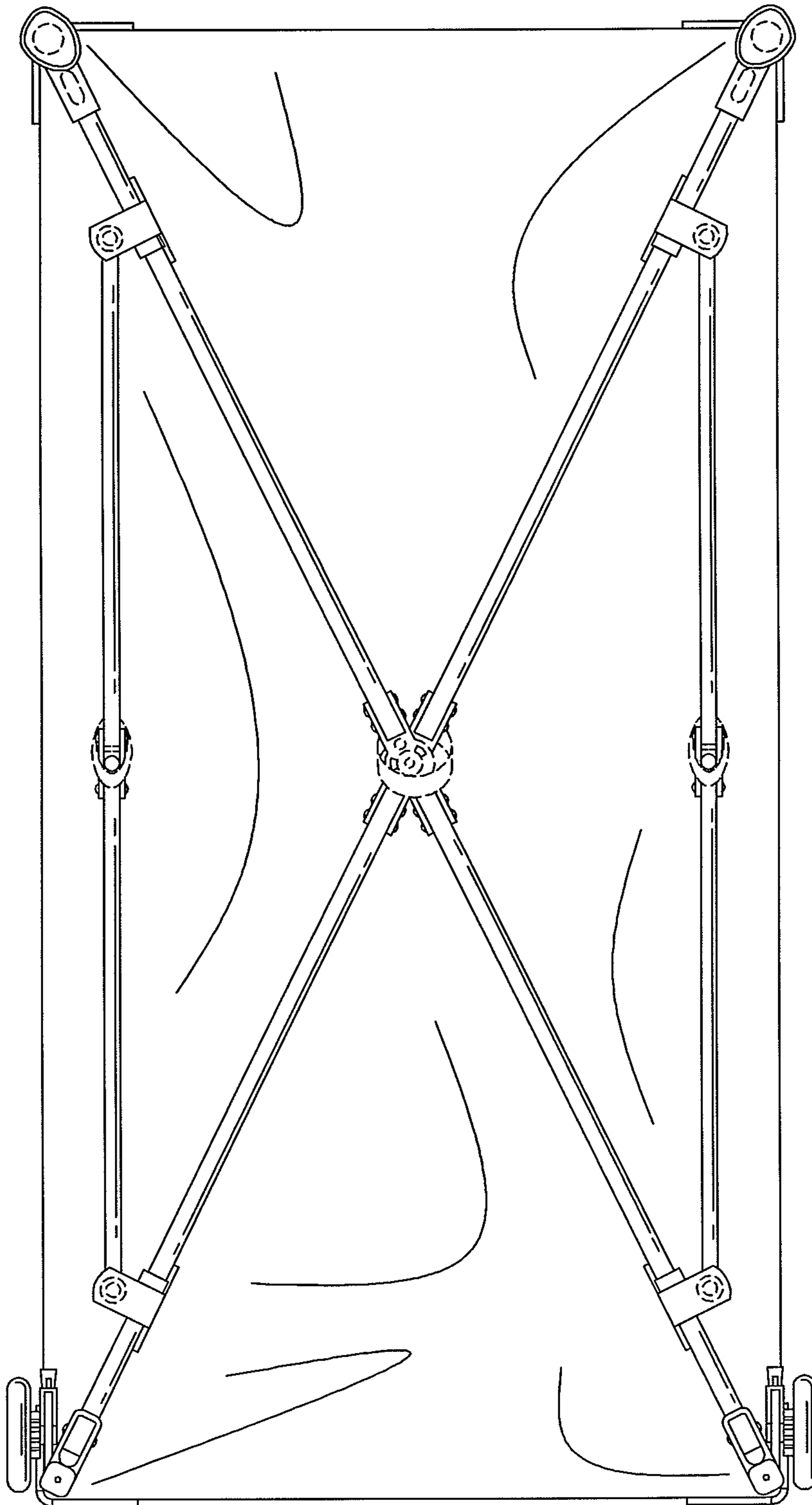


FIG. 7