



US00D680754S

(12) **United States Design Patent**
Wear

(10) **Patent No.:** **US D680,754 S**

(45) **Date of Patent:** **** *Apr. 30, 2013**

(54) **POSTER CLASP**

(76) Inventor: **Stuart C. W. Wear**, Minnetonka, MN
(US)

(*) Notice: This patent is subject to a terminal disclaimer.

(**) Term: **14 Years**

(21) Appl. No.: **29/403,406**

(22) Filed: **Oct. 5, 2011**

Related U.S. Application Data

(63) Continuation-in-part of application No. 12/492,850, filed on Jun. 26, 2009, now abandoned.

(51) **LOC (9) Cl.** **06-07**

(52) **U.S. Cl.**
USPC **D6/300**

(58) **Field of Classification Search** 248/317,
248/451, 61, 63, 58, 328, 343, 489, 492,
248/497, 331; D6/300, 303, 306; 40/617,
40/658, 604, 611.12, 514, 605, 541, 542,
40/547, 600, 603, 790; D20/42, 19, 39, 40,
D20/41, 99; 211/124

See application file for complete search history.

(56) **References Cited**

U.S. PATENT DOCUMENTS

1,301,885 A	4/1919	Tobiason et al.	
2,826,387 A	3/1958	Rutten	
2,888,765 A	6/1959	Knox	
3,023,474 A	3/1962	Shears	
3,324,585 A	6/1967	Frederickson	
3,350,045 A	10/1967	Mayers	
3,354,564 A	11/1967	Falcone et al.	
3,399,429 A *	9/1968	Goodman	24/67 R
3,497,074 A	2/1970	Shaheen	

3,561,077 A	2/1971	Grant	
3,600,764 A	8/1971	Froehlich, Jr.	
3,808,710 A	5/1974	Ackerman et al.	
3,955,296 A	5/1976	Kapstad	
4,105,127 A *	8/1978	Holl	211/124

(Continued)

OTHER PUBLICATIONS

“The design solution”, Imago Display Systems, 1 page.

(Continued)

Primary Examiner — Philip S Hyder

Assistant Examiner — Sydney Buffalow

(74) *Attorney, Agent, or Firm* — Patterson Thunte Pedersen, P.A.

(57) **CLAIM**

I claim the ornamental design for a poster clasp, as shown and described.

DESCRIPTION

FIG. 1 is a perspective view of a poster clasp according to an embodiment of the invention.

FIG. 2 is a front elevational view of the poster clasp depicted in FIG. 1, shown cut away for the ease of illustration;

FIG. 3 is a side elevational view of the poster clasp depicted in FIG. 1, shown cut away for the ease of illustration;

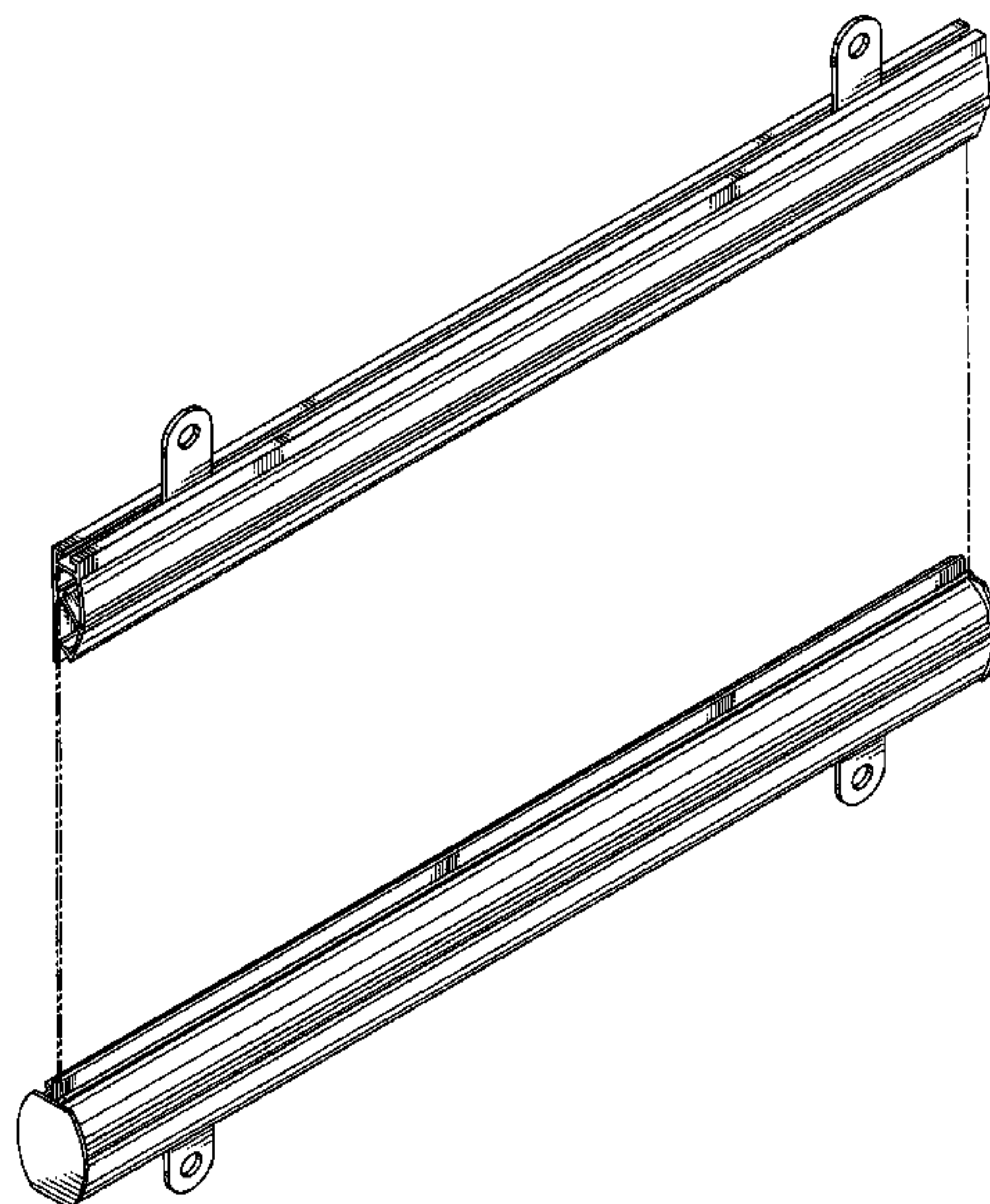
FIG. 4 is a rear elevational view of the poster clasp depicted in FIG. 1, shown cut away for the ease of illustration;

FIG. 5 is a top elevational view of the poster clasp depicted in FIG. 1, shown cut away for the ease of illustration; and,

FIG. 6 is a bottom elevational view of the poster clasp depicted in FIG. 1, shown cut away for the ease of illustration.

Items shown in the broken lines are for illustrative purposes only and form no part of the claimed invention.

1 Claim, 3 Drawing Sheets



US D680,754 S

Page 2

U.S. PATENT DOCUMENTS

4,187,630	A *	2/1980	Giulie et al.	40/790	6,637,716	B2	10/2003	Wear	
4,315,611	A	2/1982	Hoop		6,779,771	B2	8/2004	Ostrovsky et al.	
4,341,028	A	7/1982	Brown		6,802,145	B2 *	10/2004	Sparkowski	40/617
4,556,183	A	12/1985	Greenberger		D510,109	S *	9/2005	Cobb et al.	D20/42
4,629,075	A	12/1986	Hutten		7,086,190	B2 *	8/2006	Voluckas	40/617
4,671,480	A	6/1987	Frye		7,159,347	B1 *	1/2007	Ngan	40/514
4,773,545	A	9/1988	Jones		7,261,269	B2 *	8/2007	Cote	248/317
4,882,862	A	11/1989	Slavsky, Sr.		7,673,409	B2 *	3/2010	Pitcher et al.	40/617
4,899,974	A	2/1990	Wear et al.		2002/0139025	A1	10/2002	Pitcher et al.	
5,090,145	A *	2/1992	Chiang et al.	40/605	2004/0211101	A1	10/2004	Pitcher et al.	
5,145,140	A	9/1992	Caston et al.		2007/0209261	A1 *	9/2007	Stover et al.	40/617
5,337,987	A	8/1994	Sawatsky						
5,718,402	A	2/1998	Hoffman et al.						
5,863,019	A	1/1999	Rose et al.						
5,927,671	A *	7/1999	Pynenburg	248/451					
D424,120	S	5/2000	Wear						
6,450,471	B1	9/2002	Wear						
6,546,658	B2	4/2003	Pitcher et al.						

OTHER PUBLICATIONS

Preisauszeichnung + Display Systeme Klemmprofil 3000, Kunststoffverarbeitung GmbH & Co., KG, 1 page.
Application and File History for U.S. Appl. No. 12/492,850, filed Jun. 26, 2009. Inventor: Stuart C.W. Wear.

* cited by examiner

Fig. 1

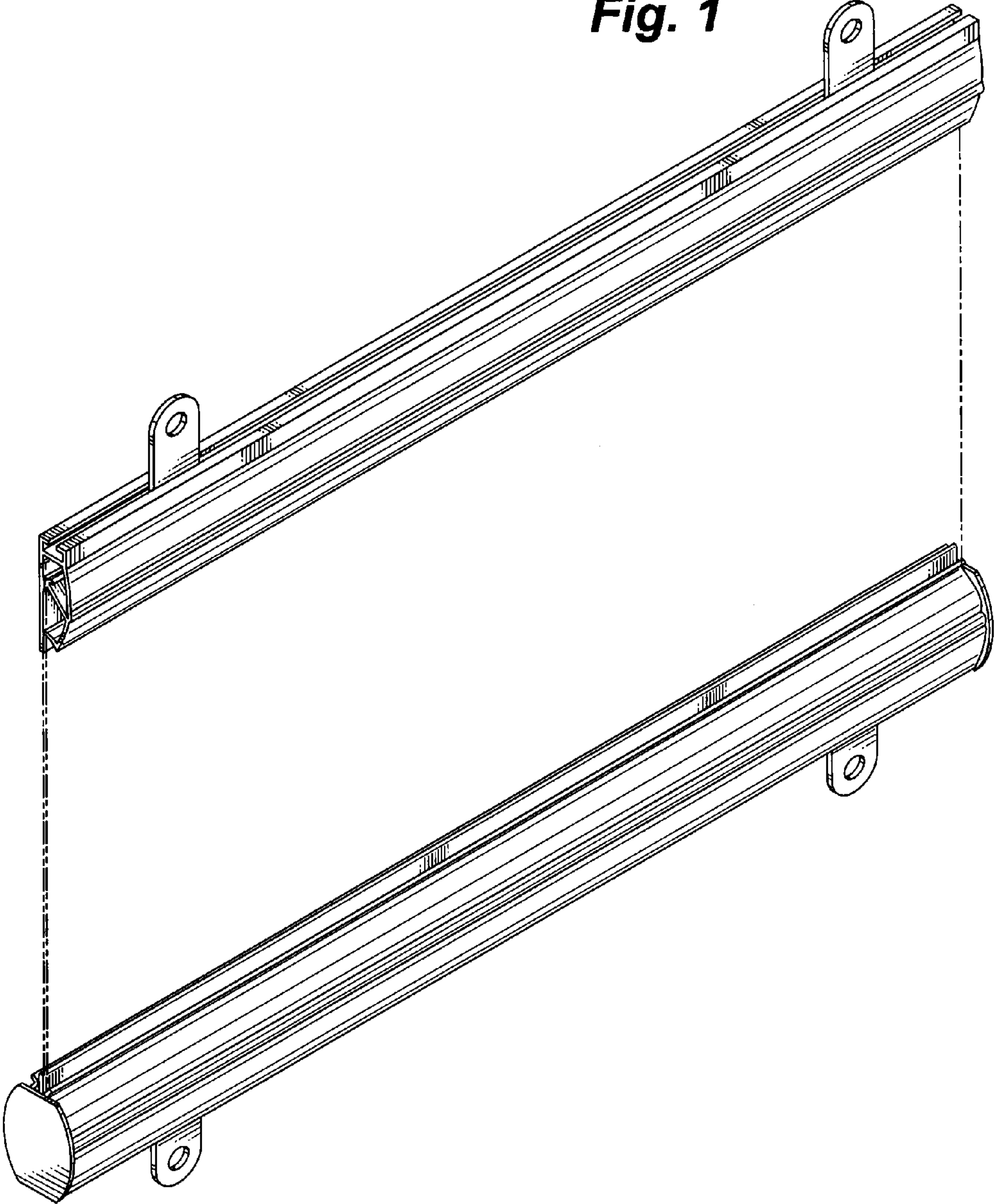


Fig. 3



Fig. 2

