



US00D680743S

(12) **United States Design Patent**
Chang

(10) **Patent No.:** **US D680,743 S**
(45) **Date of Patent:** **** Apr. 30, 2013**

(54) **STANDABLE MOBILE PHONE POUCH**

Primary Examiner — Holly Baynham

(76) **Inventor:** **Fu Hsiang Chang**, New Taipei (TW)

(74) *Attorney, Agent, or Firm* — Chun-Ming Shih

(**) **Term:** **14 Years**

(57) **CLAIM**

The ornamental design for a standable mobile phone pouch, as shown and described.

(21) **Appl. No.:** **29/401,822**

(22) **Filed:** **Sep. 15, 2011**

DESCRIPTION

(51) **LOC (9) Cl.** **03-01**

FIG. 1 is a perspective view of the design for a standable mobile phone pouch;

(52) **U.S. Cl.**

FIG. 2 is a front view of the design;

USPC **D3/303**

FIG. 3 is a rear view of the design;

(58) **Field of Classification Search** D3/290,

D3/303, 247, 249–253; 206/503–507, 509–510,

206/514–515, 518

FIG. 4 is a left side elevational view of the design;

See application file for complete search history.

FIG. 5 is a right side elevational view of the design;

FIG. 6 is a top view of the design;

FIG. 7 is a bottom view of the design; and,

(56) **References Cited**

FIG. 8 is a perspective view showing the practical usage thereof.

U.S. PATENT DOCUMENTS

D215,908 S * 11/1969 Wolf D3/250

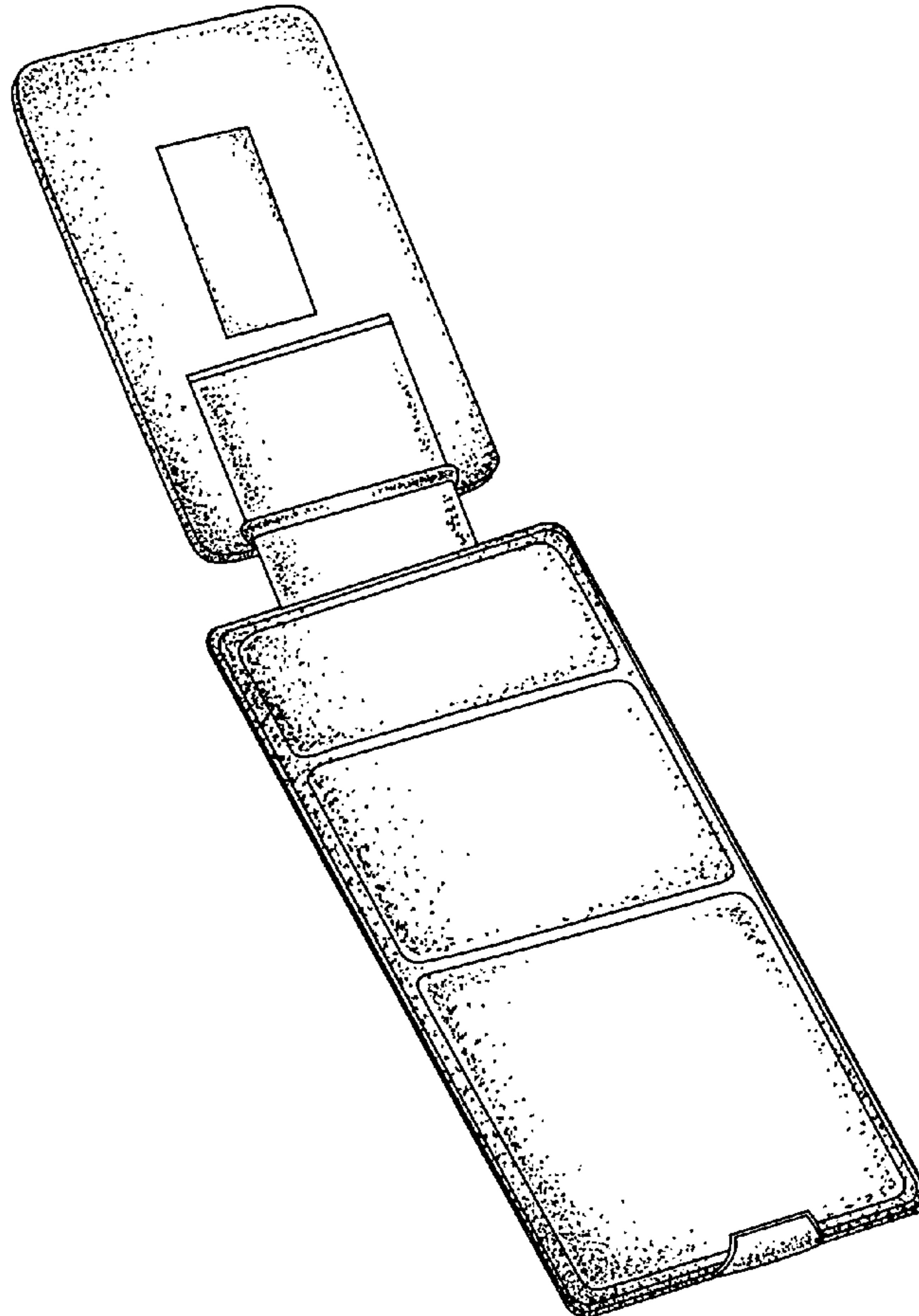
D602,689 S * 10/2009 Hewitt D3/247

D607,206 S * 1/2010 Waldman D3/247

The broken lines showing a phone are for the purposes of illustrating environment and form no part of the claimed design.

* cited by examiner

1 Claim, 6 Drawing Sheets



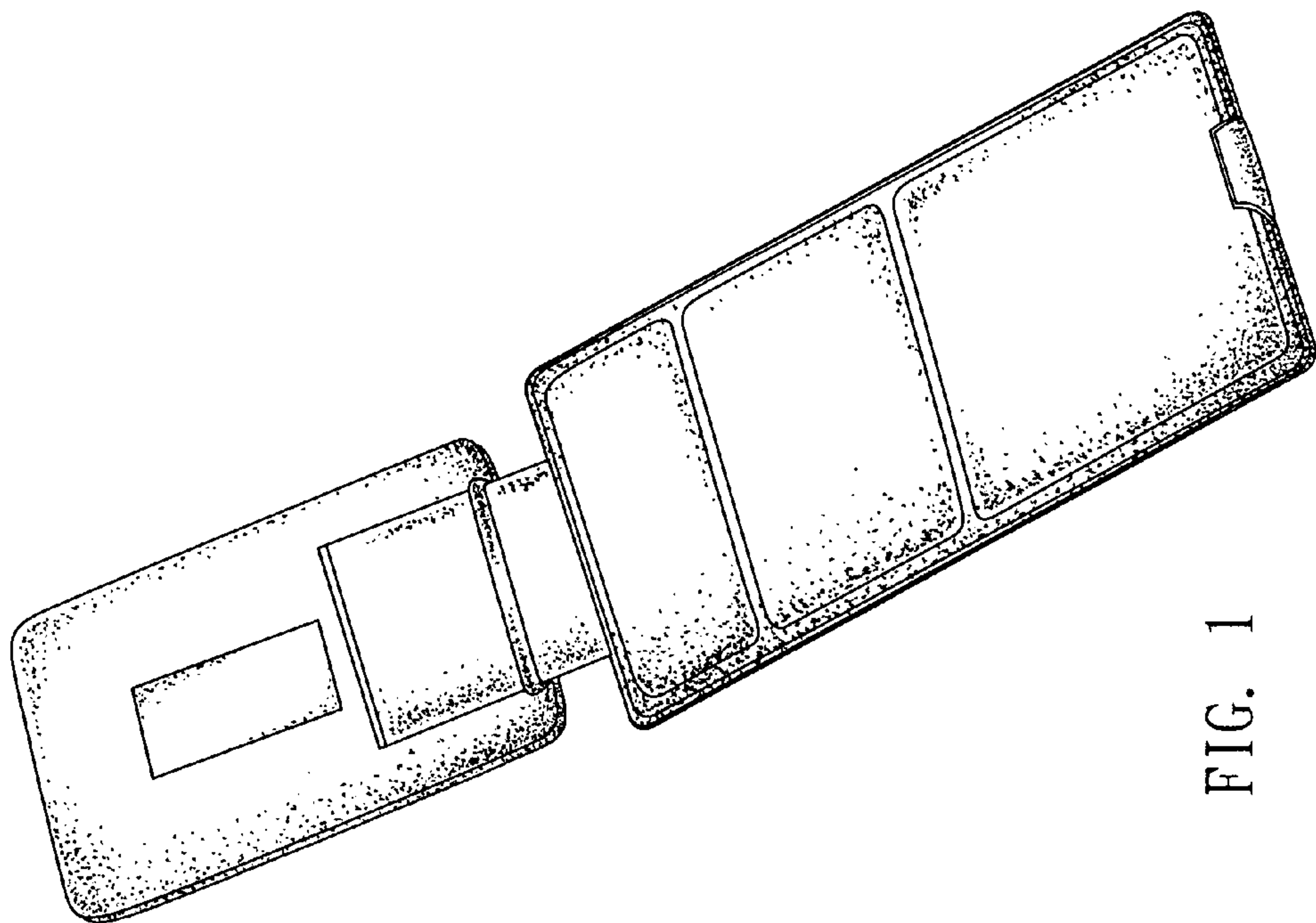


FIG. 1

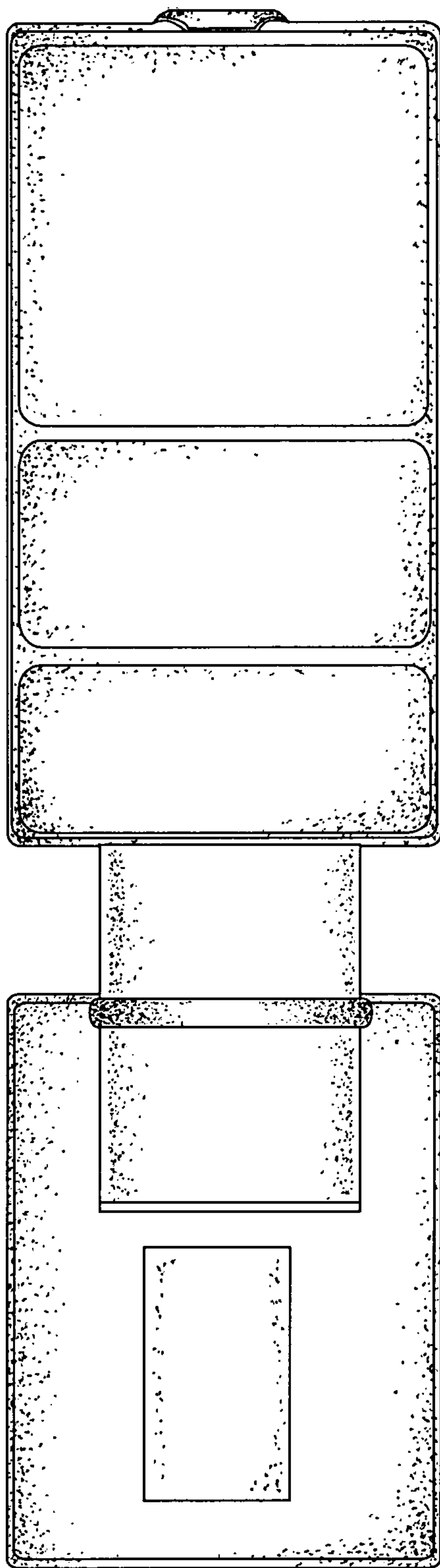


FIG. 2

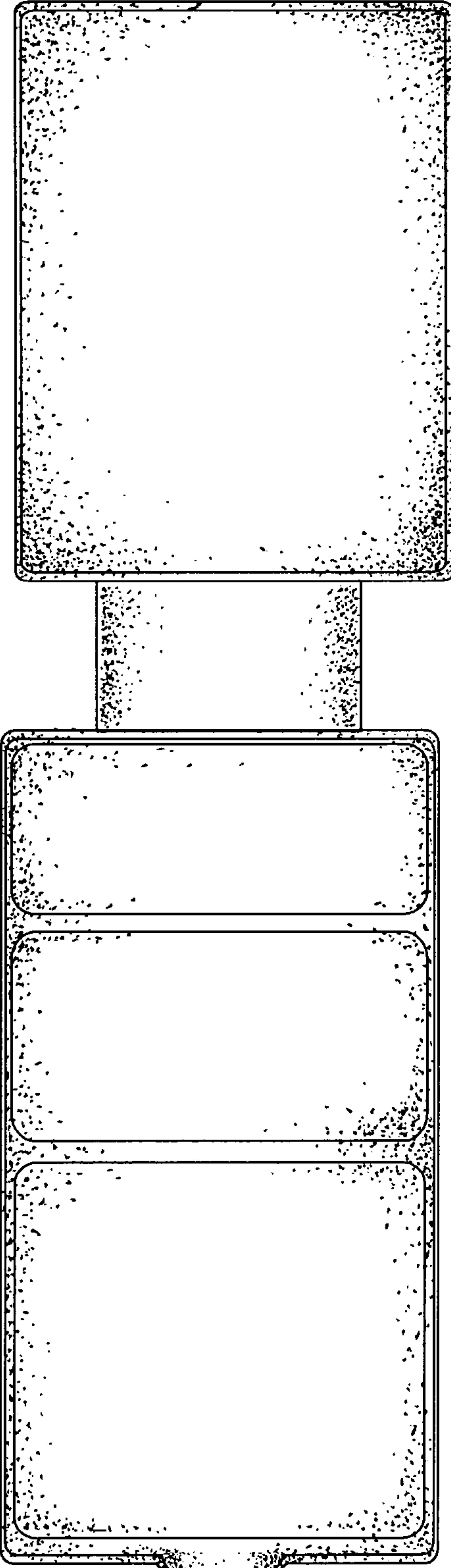


FIG. 3



FIG. 4



FIG. 5



FIG. 6

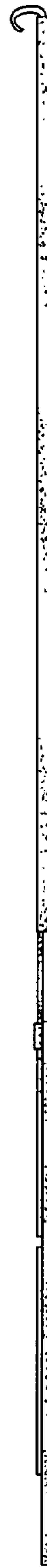


FIG. 7

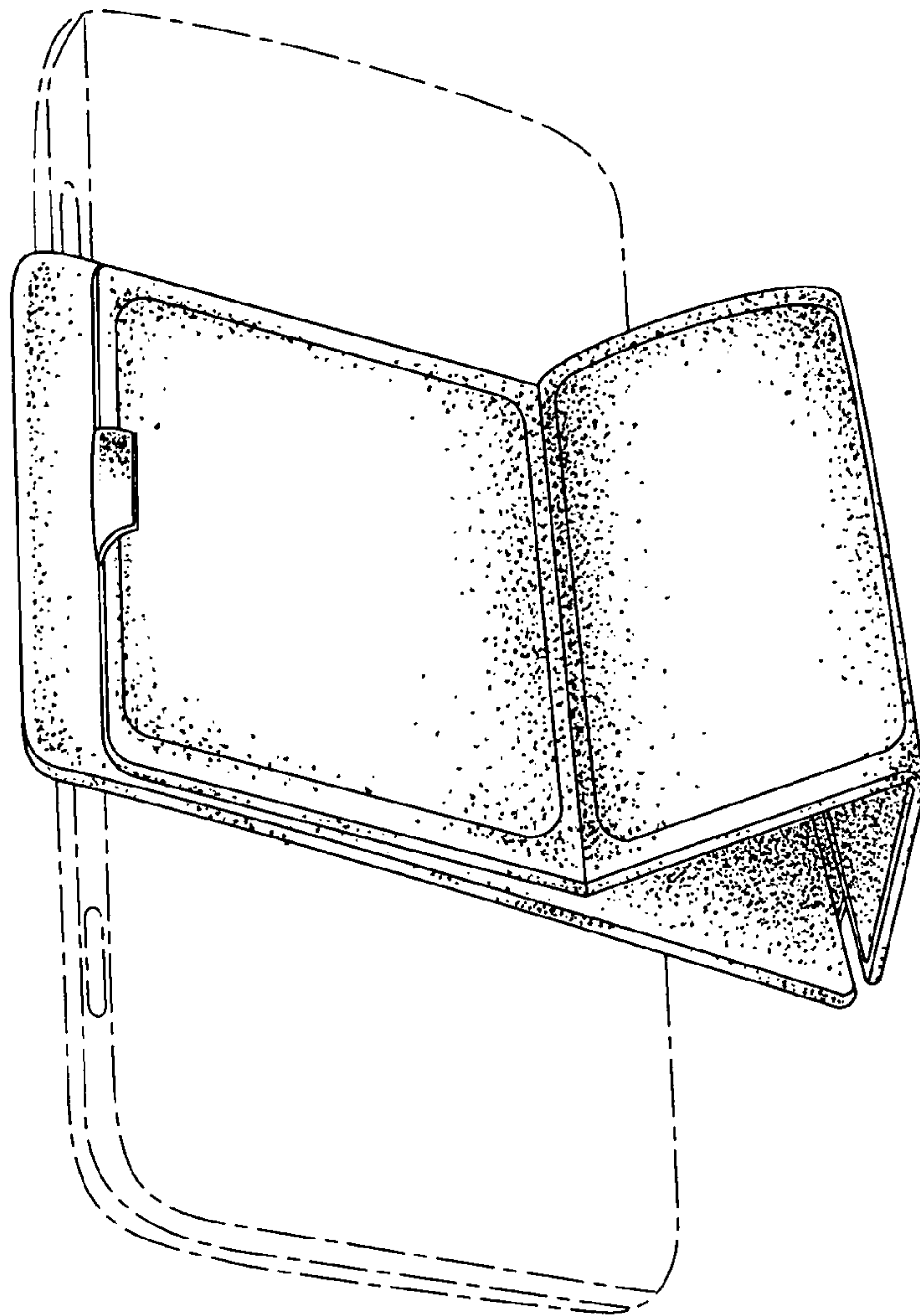


FIG. 8