



US00D680740S

(12) **United States Design Patent**
Konecny, III

(10) **Patent No.:** **US D680,740 S**

(45) **Date of Patent:** **** Apr. 30, 2013**

(54) **ICE AUGER STORAGE CASE**

(76) Inventor: **Rudolph J. Konecny, III**, St. Croix Falls, WI (US)

(**) Term: **14 Years**

(21) Appl. No.: **29/391,797**

(22) Filed: **May 13, 2011**

(51) **LOC (9) Cl.** **03-01**

(52) **U.S. Cl.**
USPC **D3/294**

(58) **Field of Classification Search** D3/294,
D3/273; 206/307, 372, 223
See application file for complete search history.

(56) **References Cited**

U.S. PATENT DOCUMENTS

D248,422 S	7/1978	Malcolm	
D351,727 S	10/1994	Tarozzi	
D508,165 S *	8/2005	Catania	D3/269
D600,015 S *	9/2009	Wenchel et al.	D3/294
D608,094 S *	1/2010	Concari et al.	D3/282
D612,604 S *	3/2010	Horiyama et al.	D3/281

* cited by examiner

Primary Examiner — Holly Baynham

(74) *Attorney, Agent, or Firm* — Montgomery Patent & Design, LLC; Robert C. Montgomery

(57) **CLAIM**

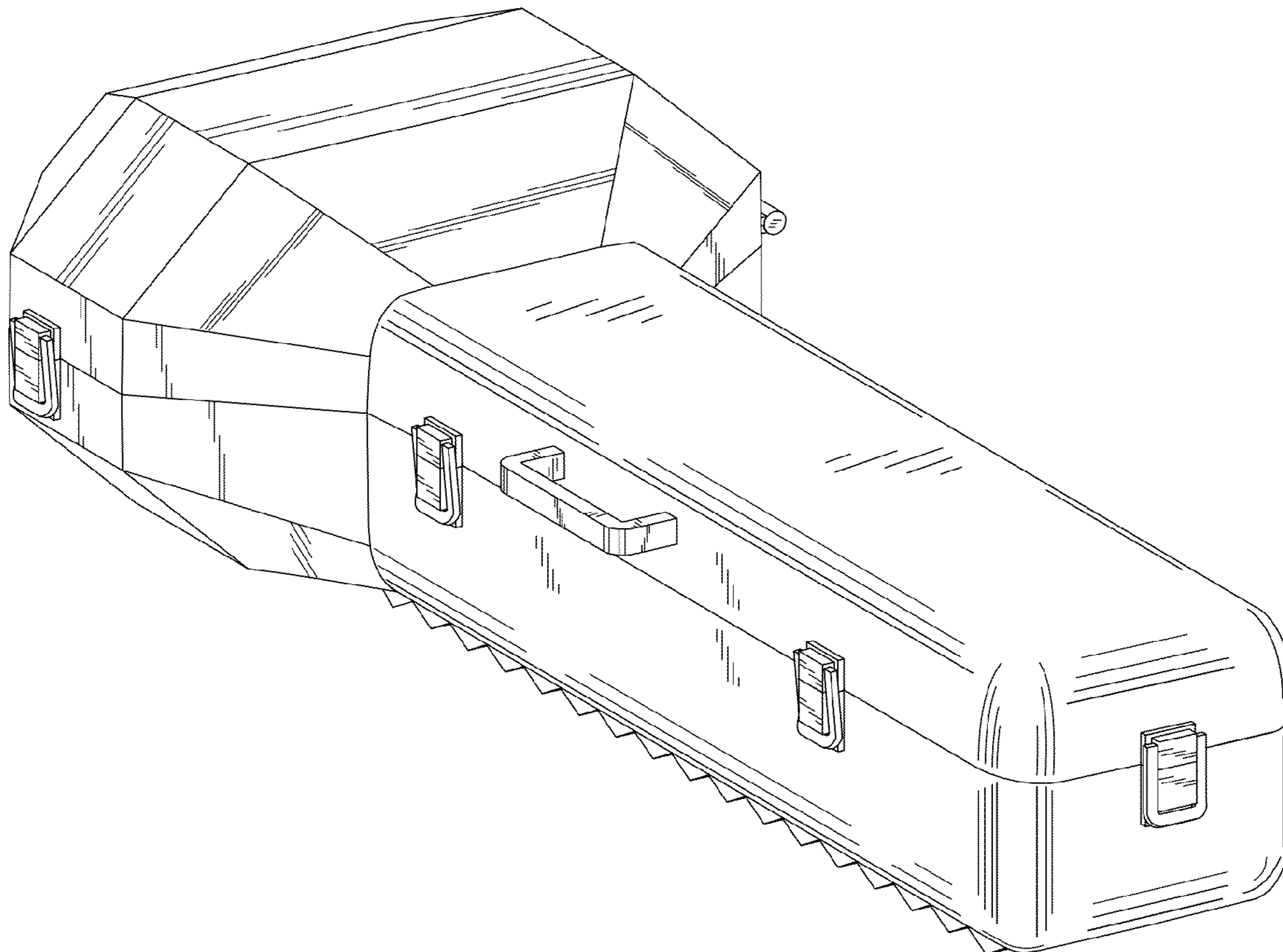
The ornamental design for an ice auger storage case, as shown and described.

DESCRIPTION

FIG. 1 is a side perspective view of an ice auger storage case, showing my new design;
FIG. 2 is a front view thereof;
FIG. 3 is a rear view thereof;
FIG. 4 is a left side view thereof;
FIG. 5 is a right side view thereof;
FIG. 6 is a top view thereof;
FIG. 7 is a bottom view thereof; and,
FIG. 8 is a top view of the ice auger storage case, depicted in an open state.

The broken line showing of an interior lining is for the purpose of illustrating customizable foam inserts and forms no part of the claimed design.

1 Claim, 6 Drawing Sheets



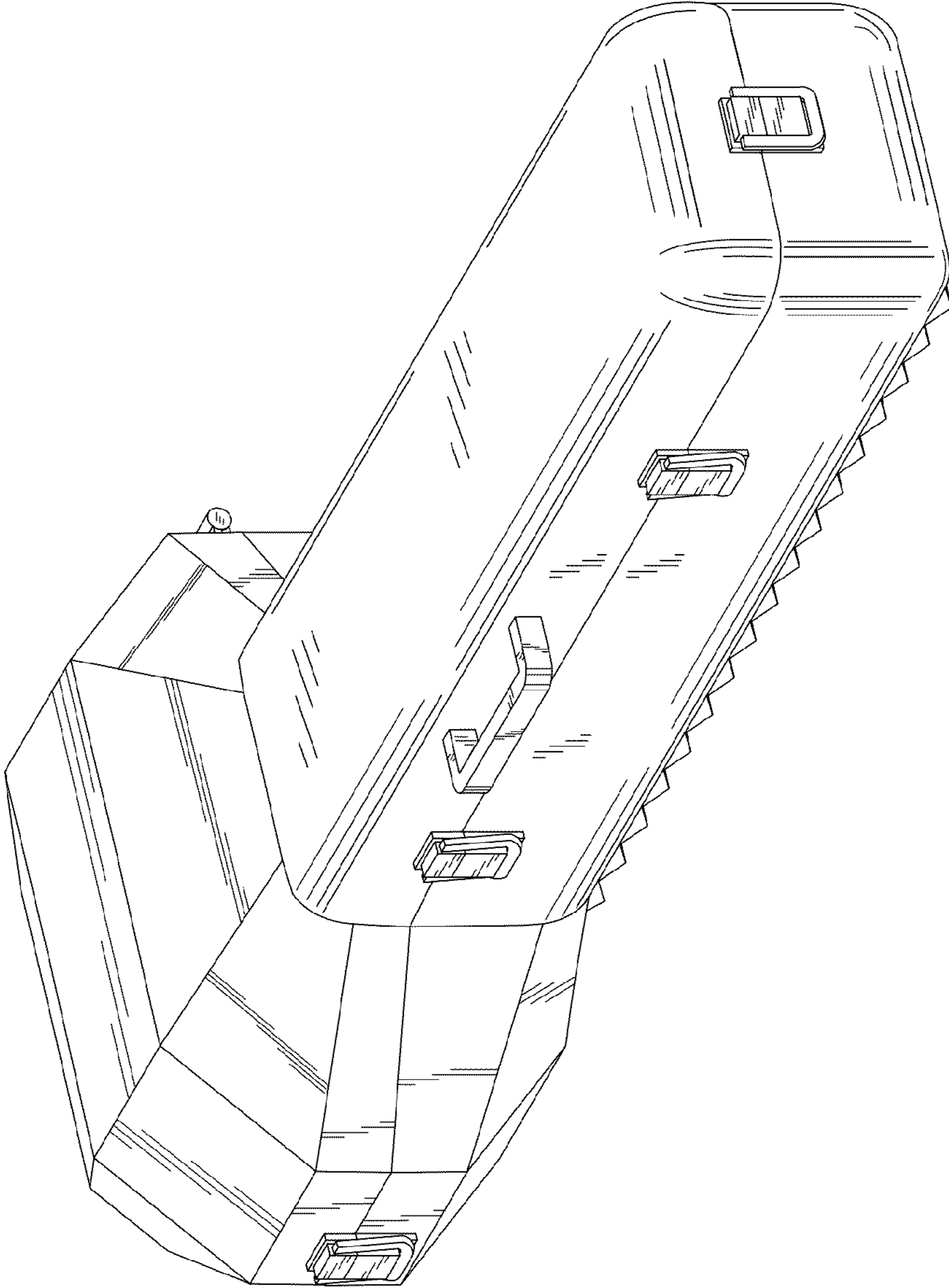


Fig. 1

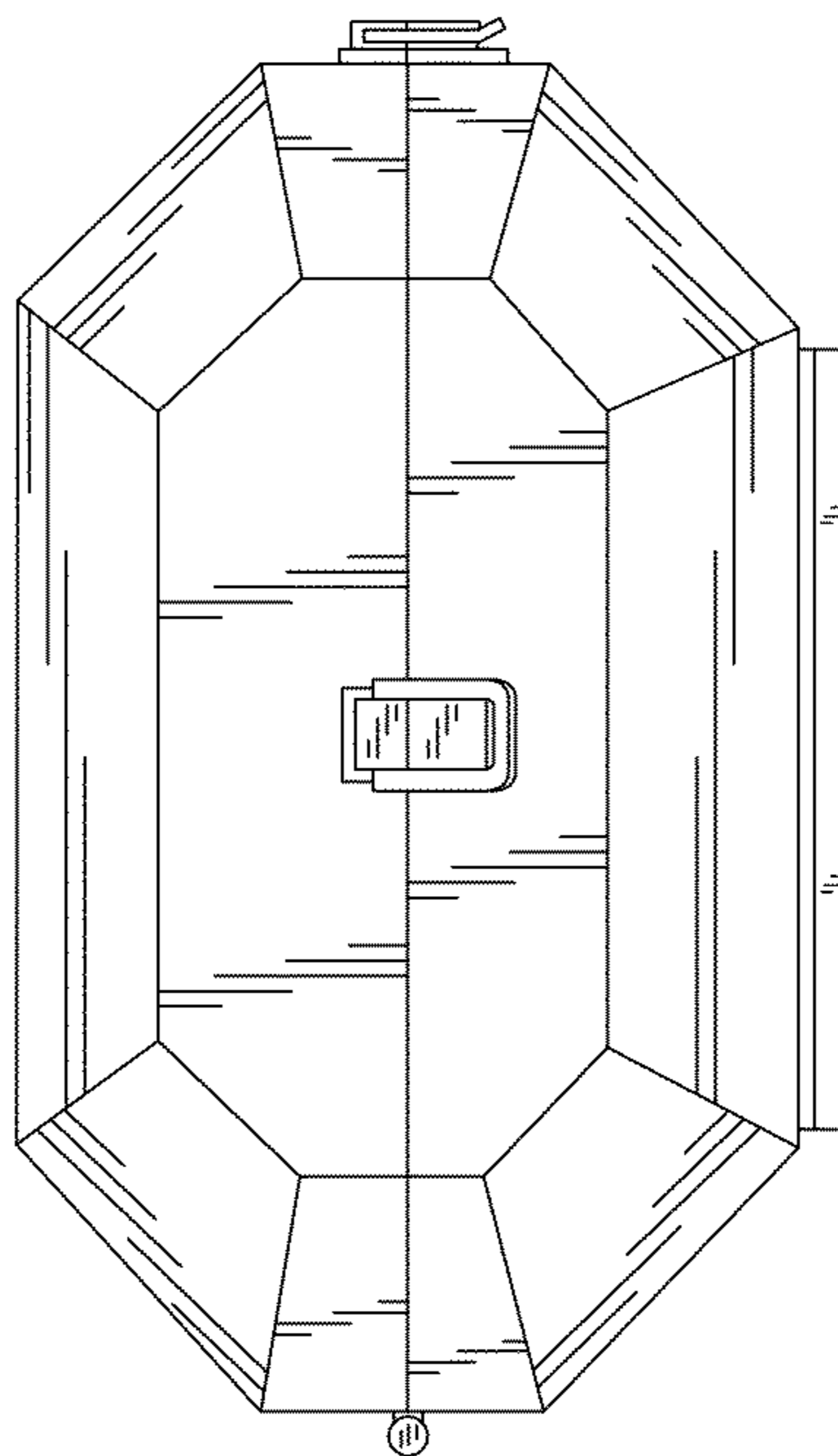


Fig. 3

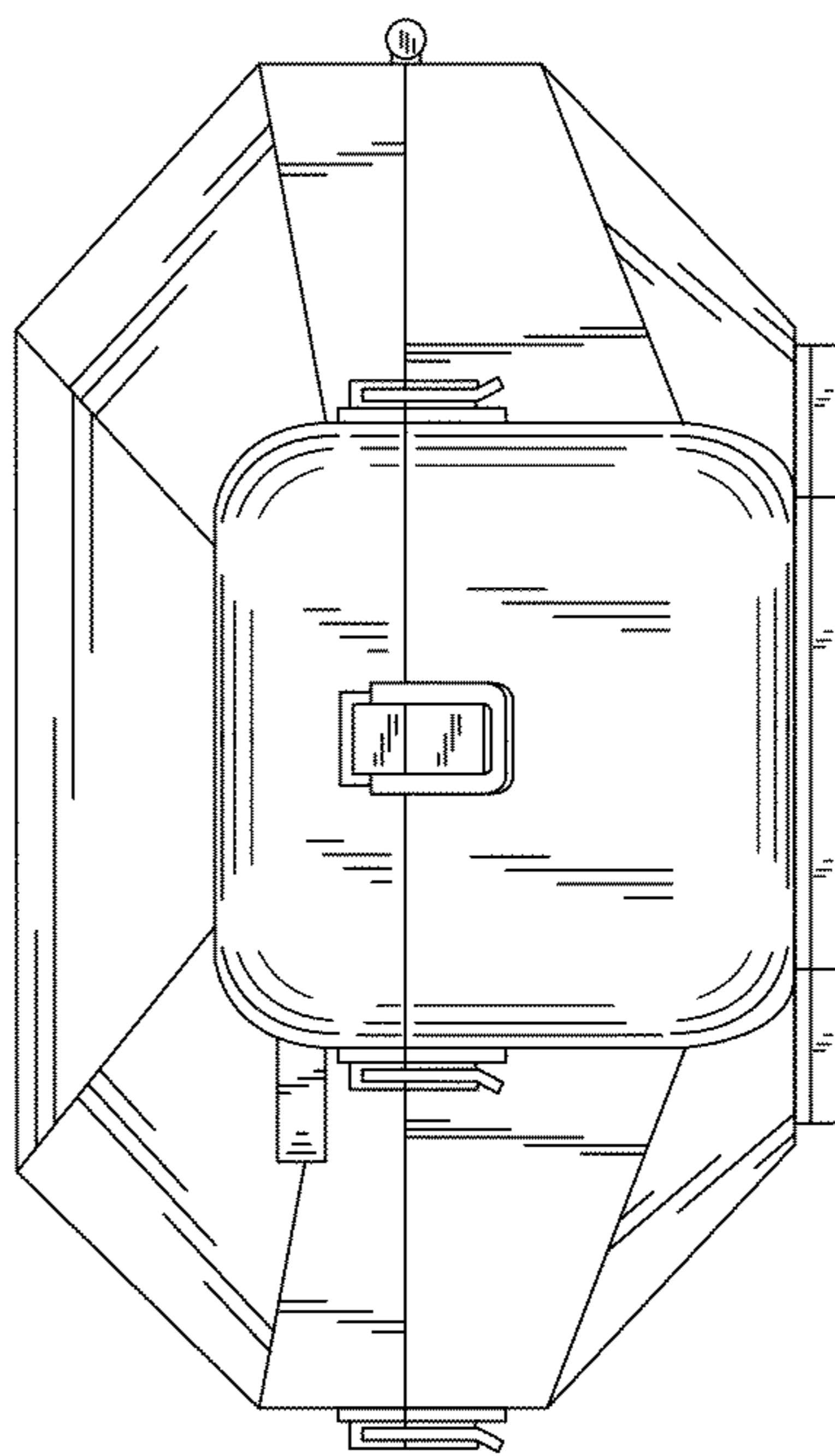


Fig. 2

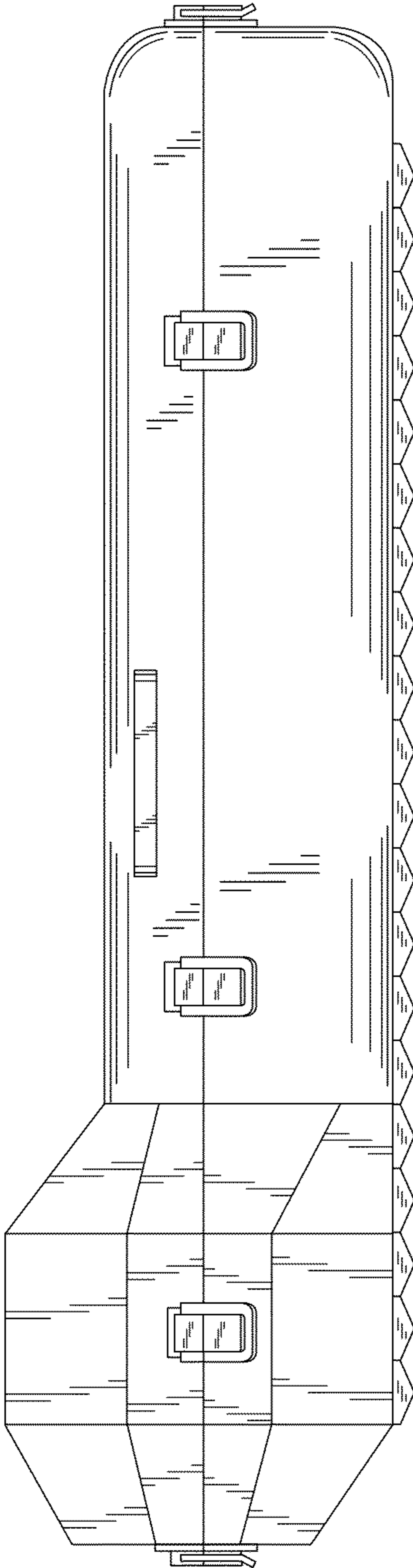


Fig. 4

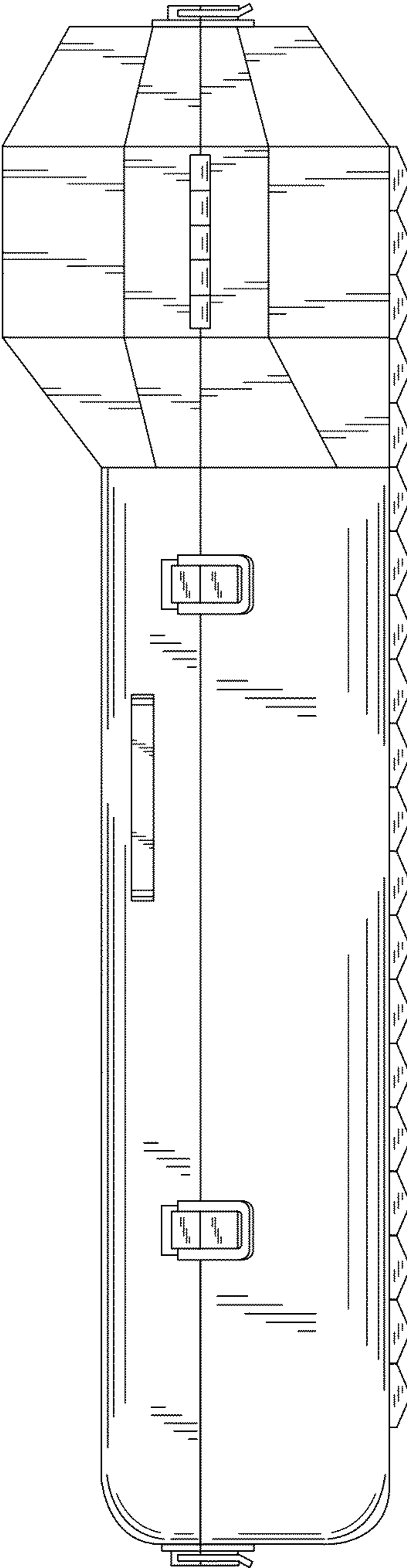


Fig. 5

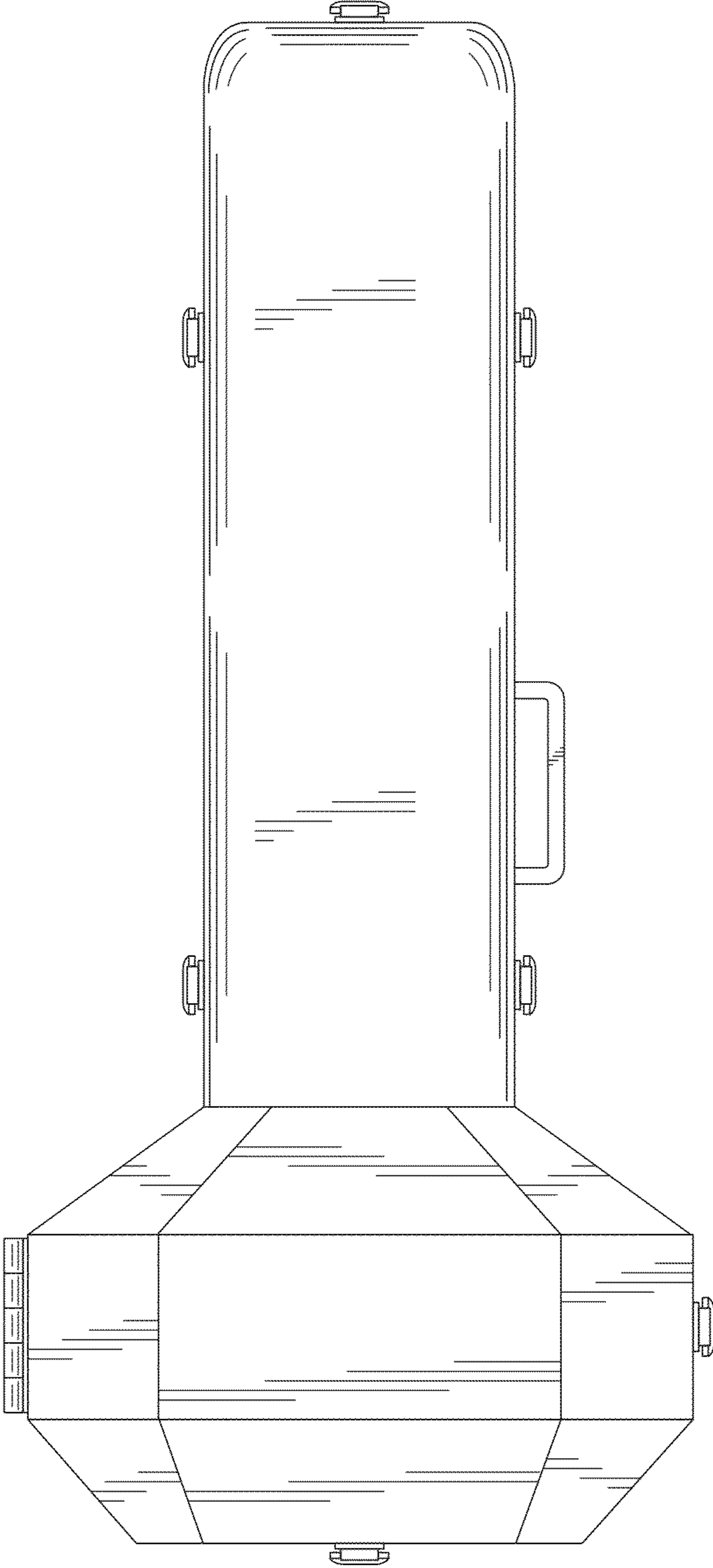


Fig. 6

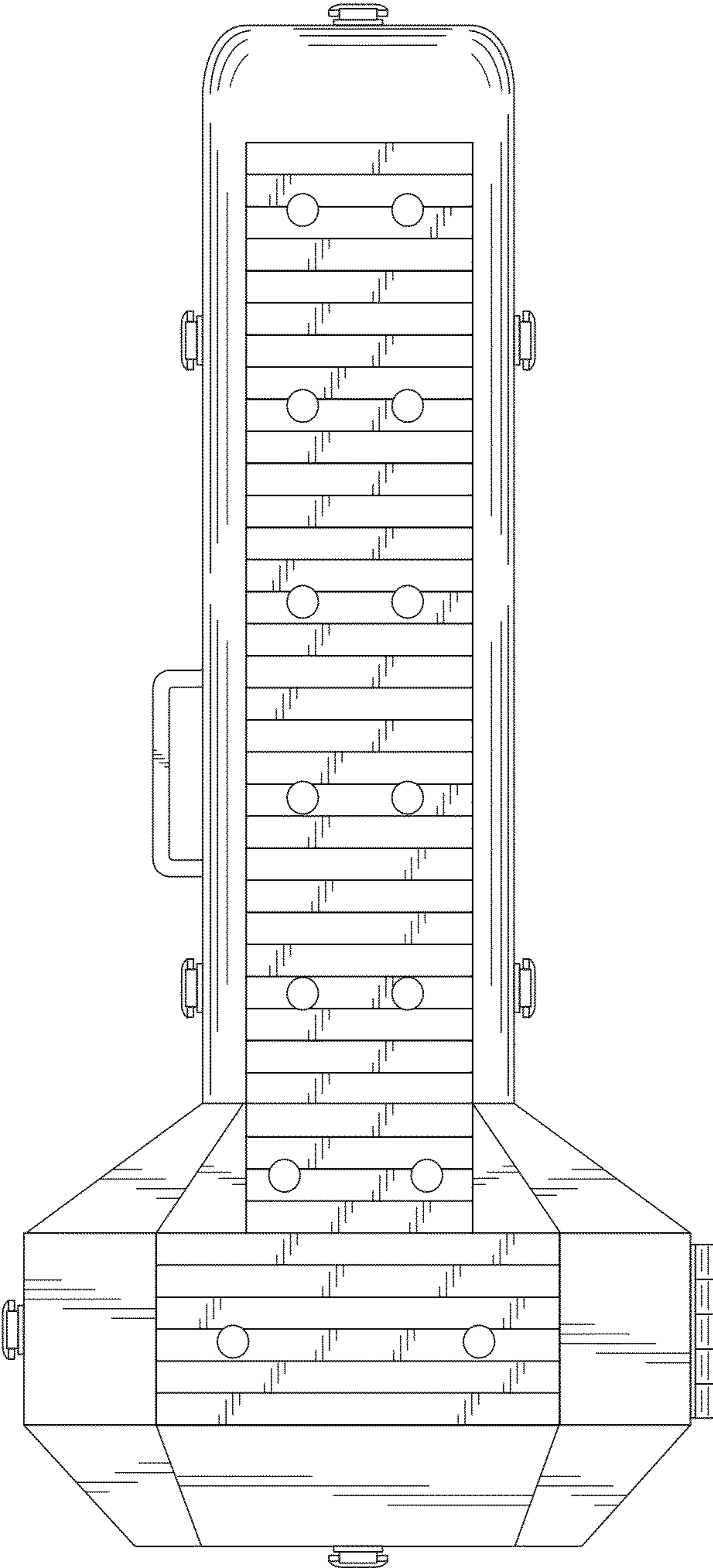


Fig. 7

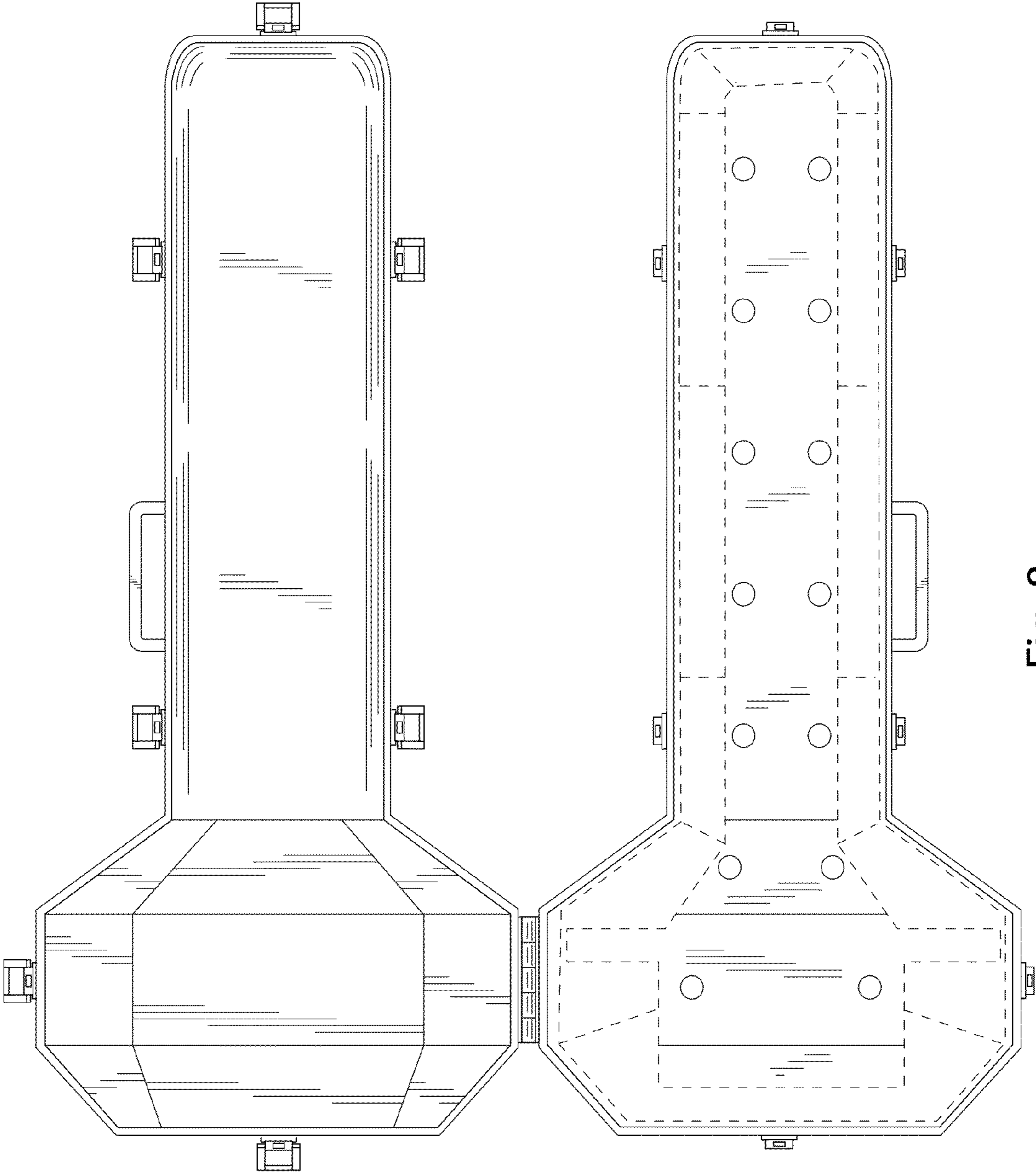


Fig. 8