



US00D680738S

(12) **United States Design Patent**  
**Wu**

(10) **Patent No.:** **US D680,738 S**

(45) **Date of Patent:** **\*\* Apr. 30, 2013**

(54) **DISC PICKER**

(76) Inventor: **Yi-Ni Wu**, Jiuru Township (TW)

(\*\*) Term: **14 Years**

(21) Appl. No.: **29/380,604**

(22) Filed: **Dec. 8, 2010**

(51) **LOC (9) Cl.** ..... **03-01**

(52) **U.S. Cl.**  
USPC ..... **D3/254**

(58) **Field of Classification Search** ..... D14/160,  
D14/162, 163, 168, 169, 188, 217, 260, 265,  
D14/299, 496, 498, 511; D10/113.1, 113.2,  
D10/121; 181/131-137; 137/82, 84; D3/254,  
D3/318, 328; D21/698, 706  
See application file for complete search history.

(56) **References Cited**

**U.S. PATENT DOCUMENTS**

D24,542 S *	8/1895	MoTernen	.....	D3/318
D101,134 S *	9/1936	Moorman	.....	D10/113.1
D154,451 S *	7/1949	Wyatt	.....	D10/121
D480,014 S *	9/2003	Goerke	.....	D11/130.1
D492,612 S *	7/2004	Huang	.....	D10/121
D583,757 S *	12/2008	Sodemann et al.	.....	D13/122
D599,110 S *	9/2009	Shepherd	.....	D3/254

\* cited by examiner

*Primary Examiner* — Keli L Hill

(74) *Attorney, Agent, or Firm* — Wang Law Firm, Inc.; Li K. Wang; Stephen Hsu

(57) **CLAIM**

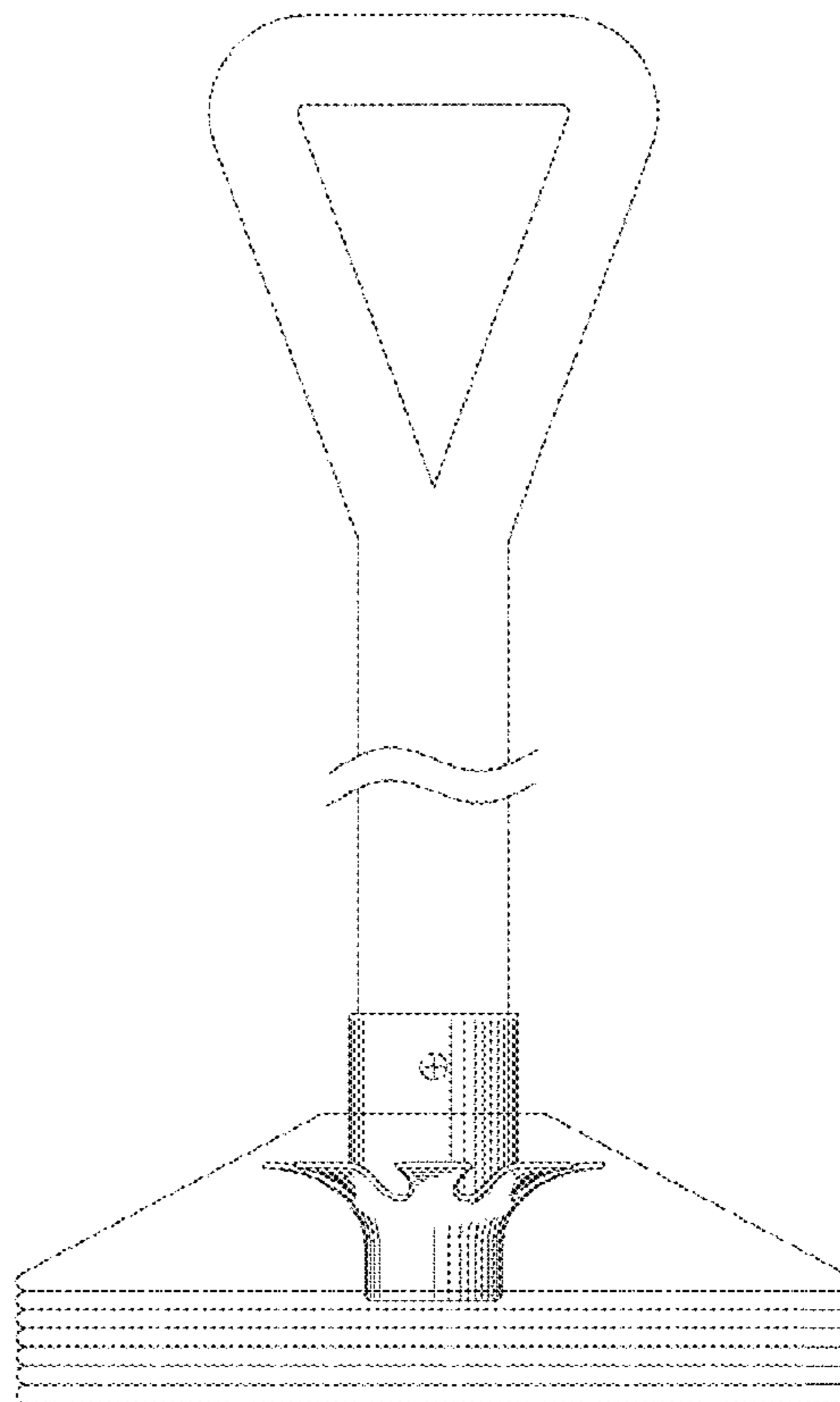
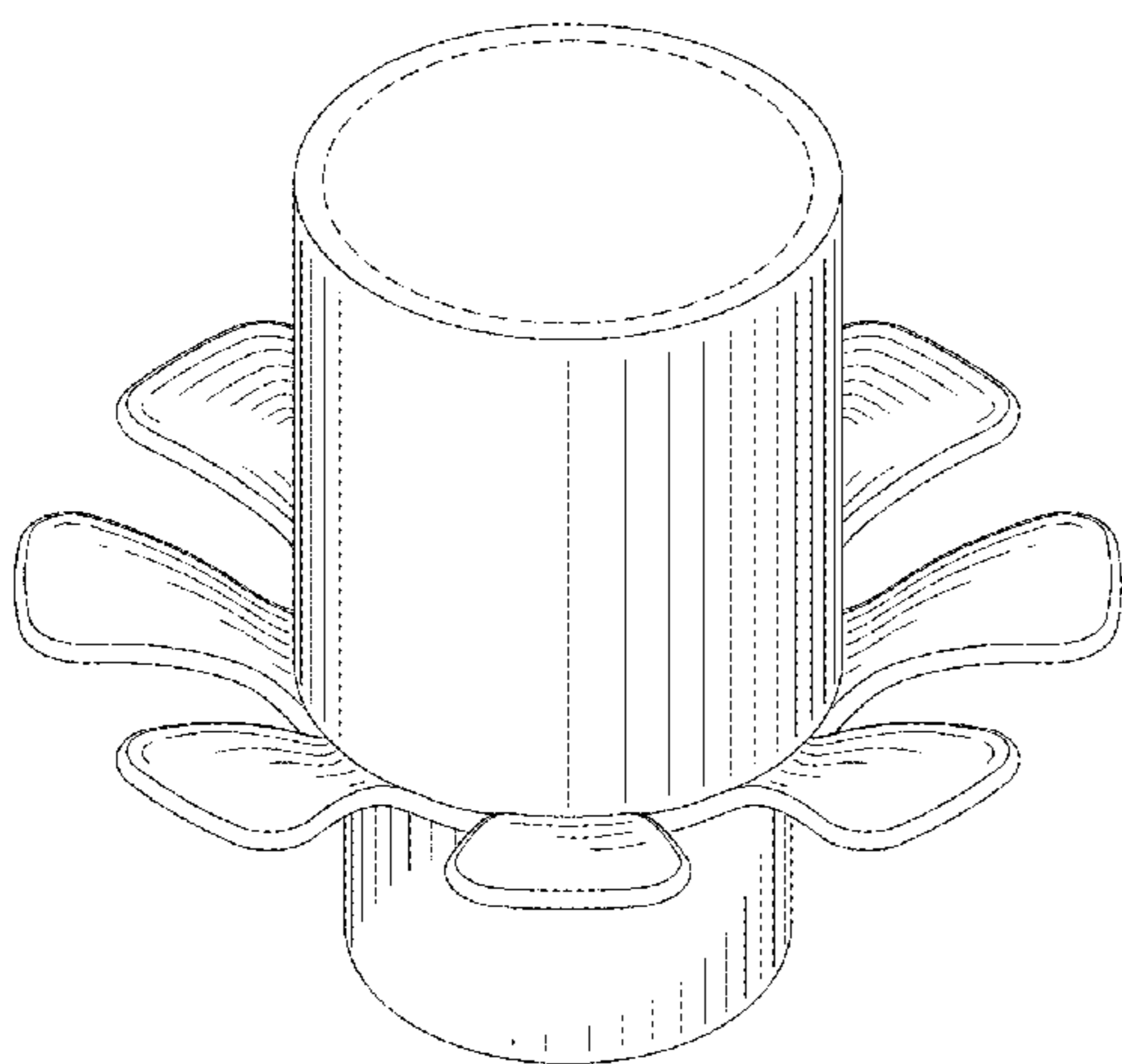
The ornamental design for a disc picker, as shown and described.

**DESCRIPTION**

FIG. 1 is a perspective view of a disc picker showing my new design;  
FIG. 2 is a front elevational view thereof;  
FIG. 3 is a rear elevational view thereof;  
FIG. 4 is a left side elevational view thereof;  
FIG. 5 is a right side elevational view thereof;  
FIG. 6 is a top plan view thereof;  
FIG. 7 is a bottom plan view thereof;  
FIG. 8 is an environmental perspective view showing a disc picker in use; and,  
FIG. 9 is an alternate environmental perspective view showing a disc picker in use.

The evenly spaced broken lines represent the bounds of the claimed design, while the dot-dash broken line showing of the rod and discs seen in FIGS. 7 and 8 are included for the purpose of illustrating environment of the article; all of the broken lines form no part of the claimed design.

**1 Claim, 9 Drawing Sheets**



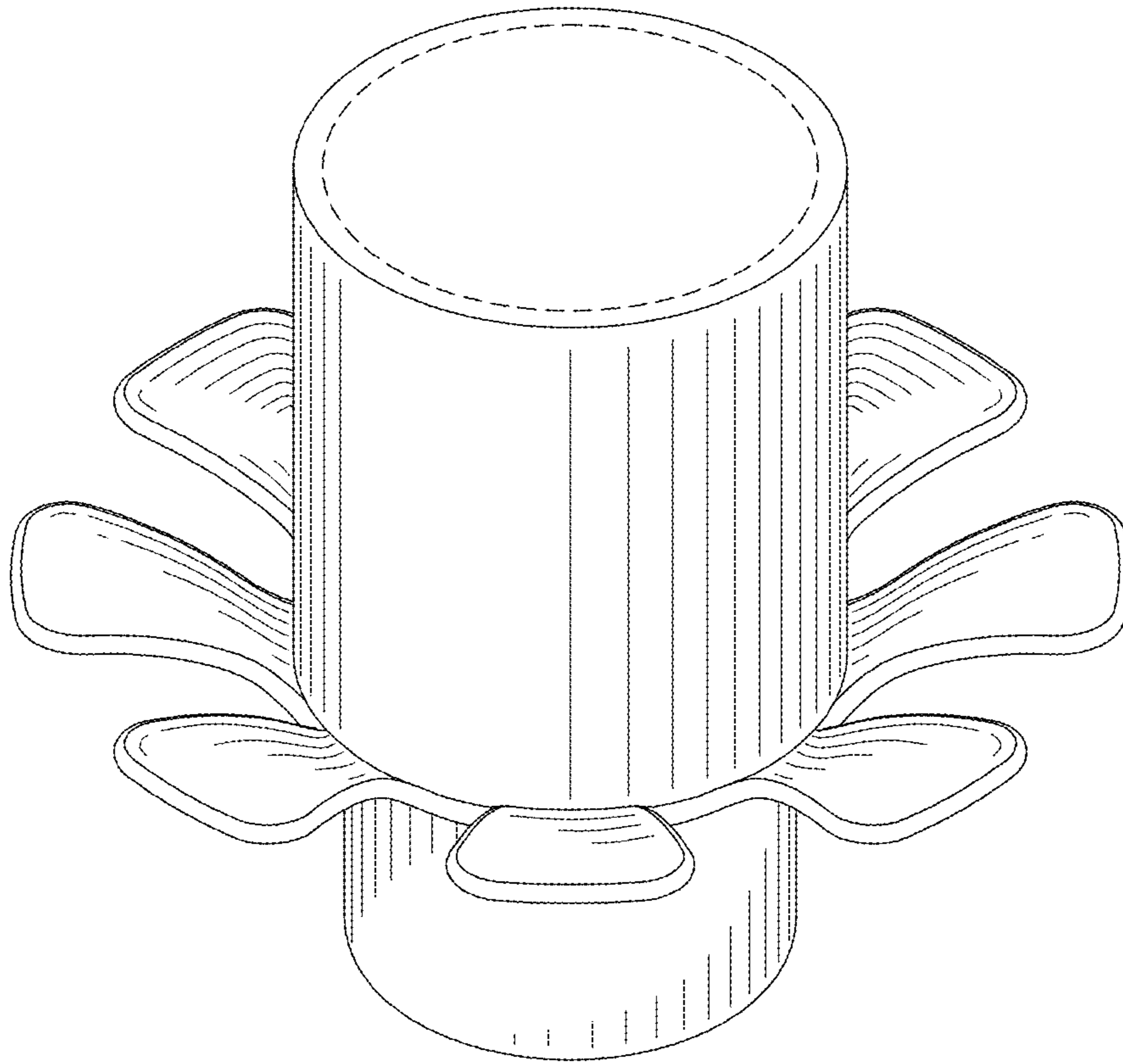


FIG. 1

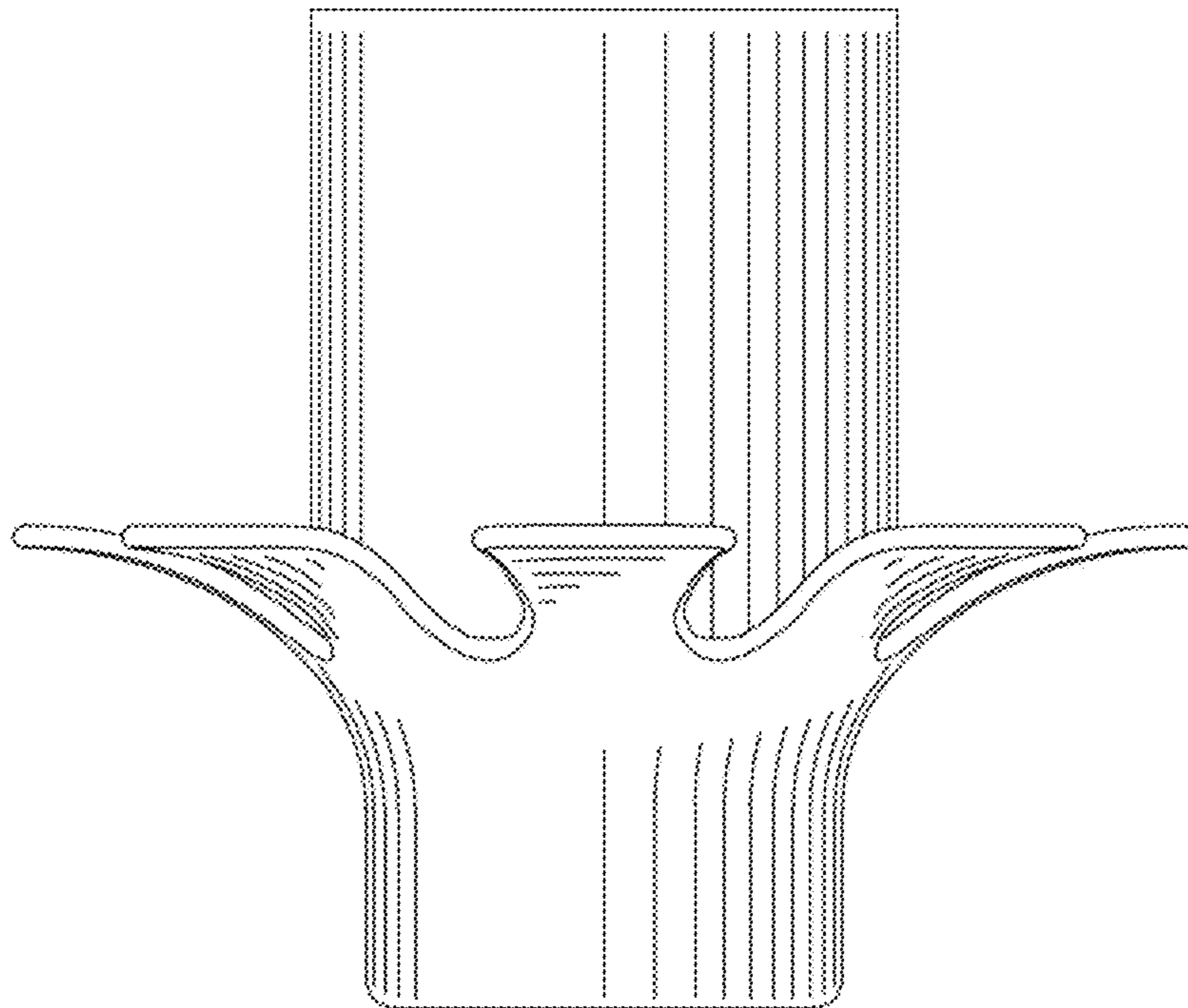


FIG. 2

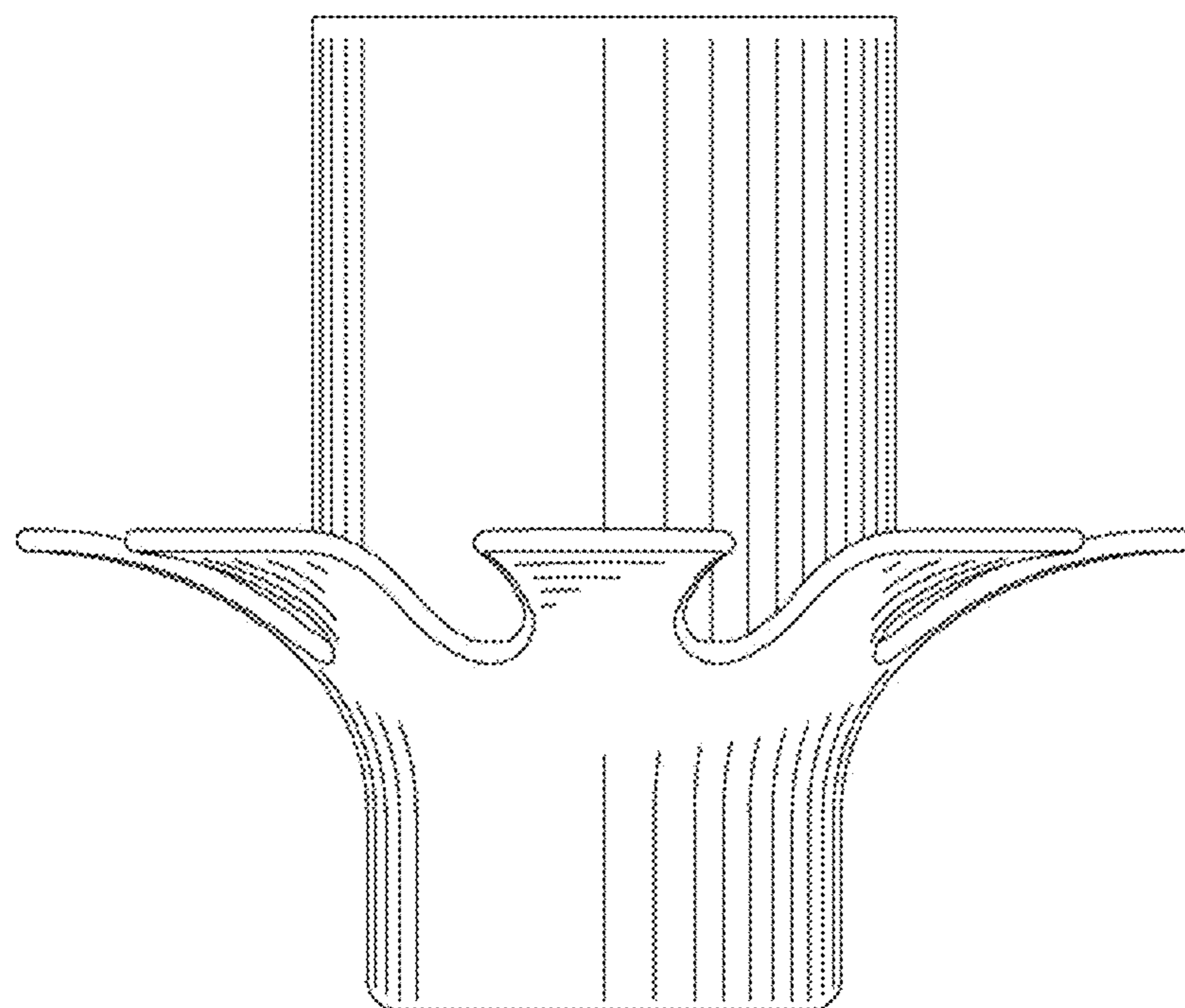


FIG. 3

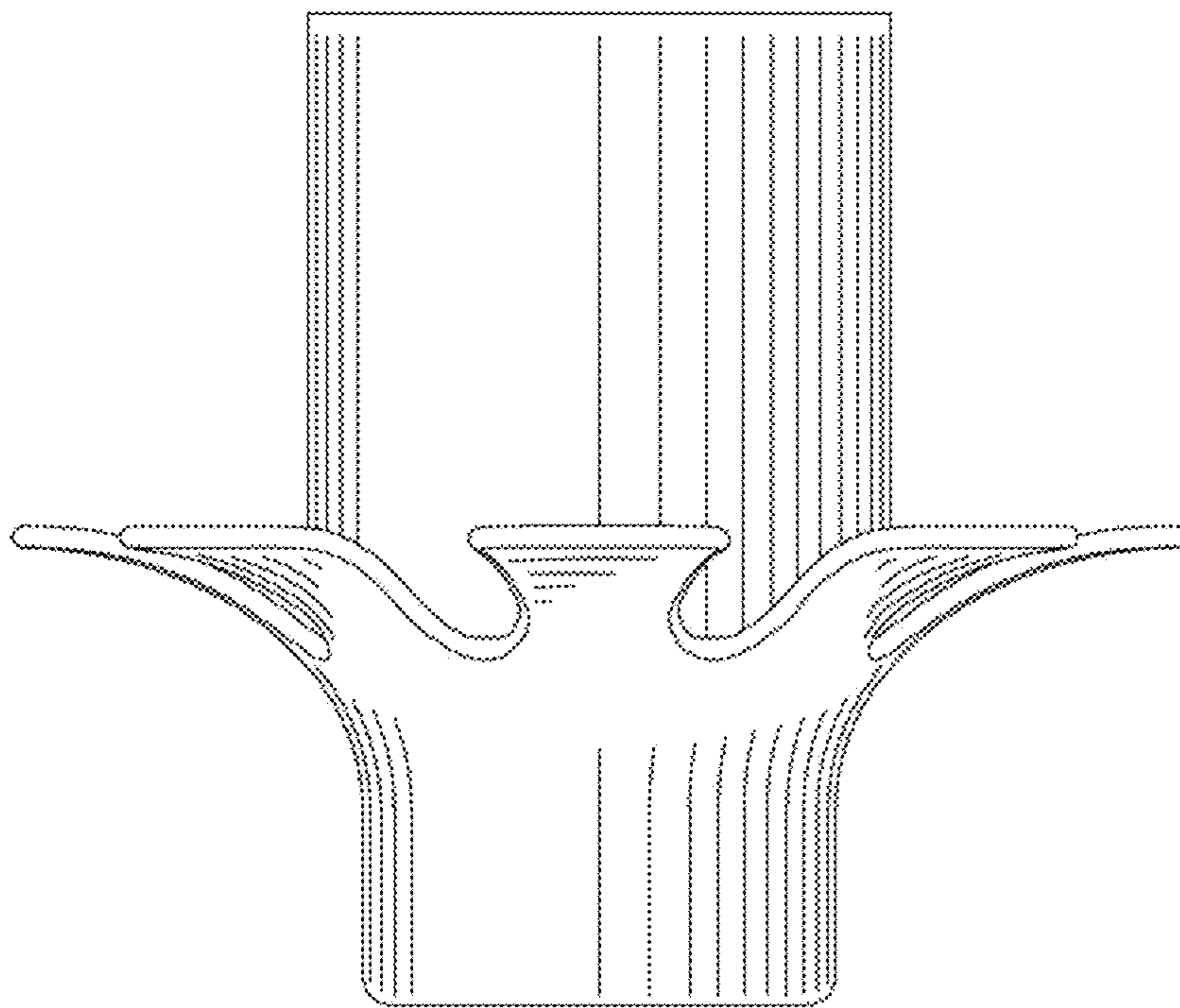


FIG. 4



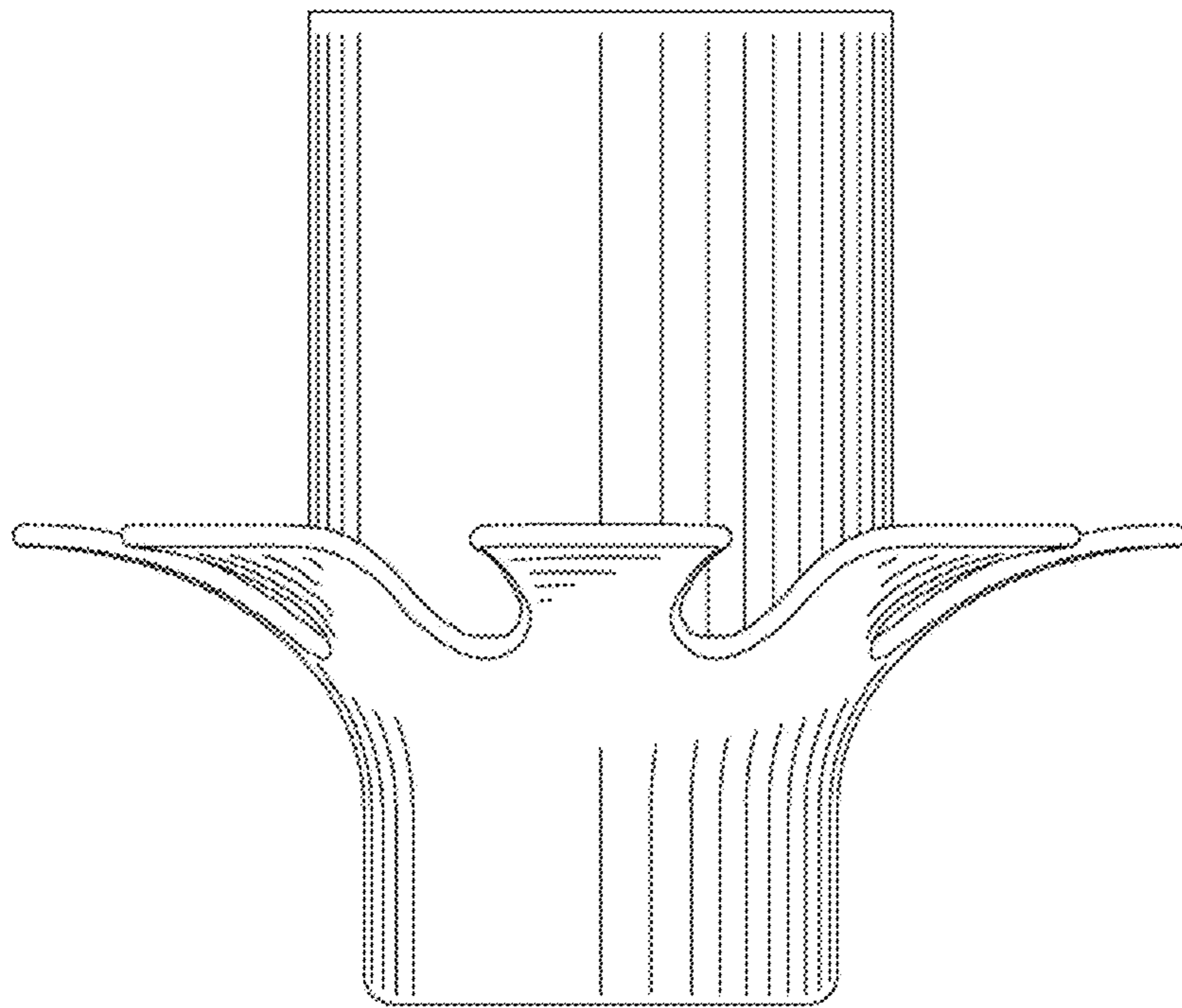


FIG. 5

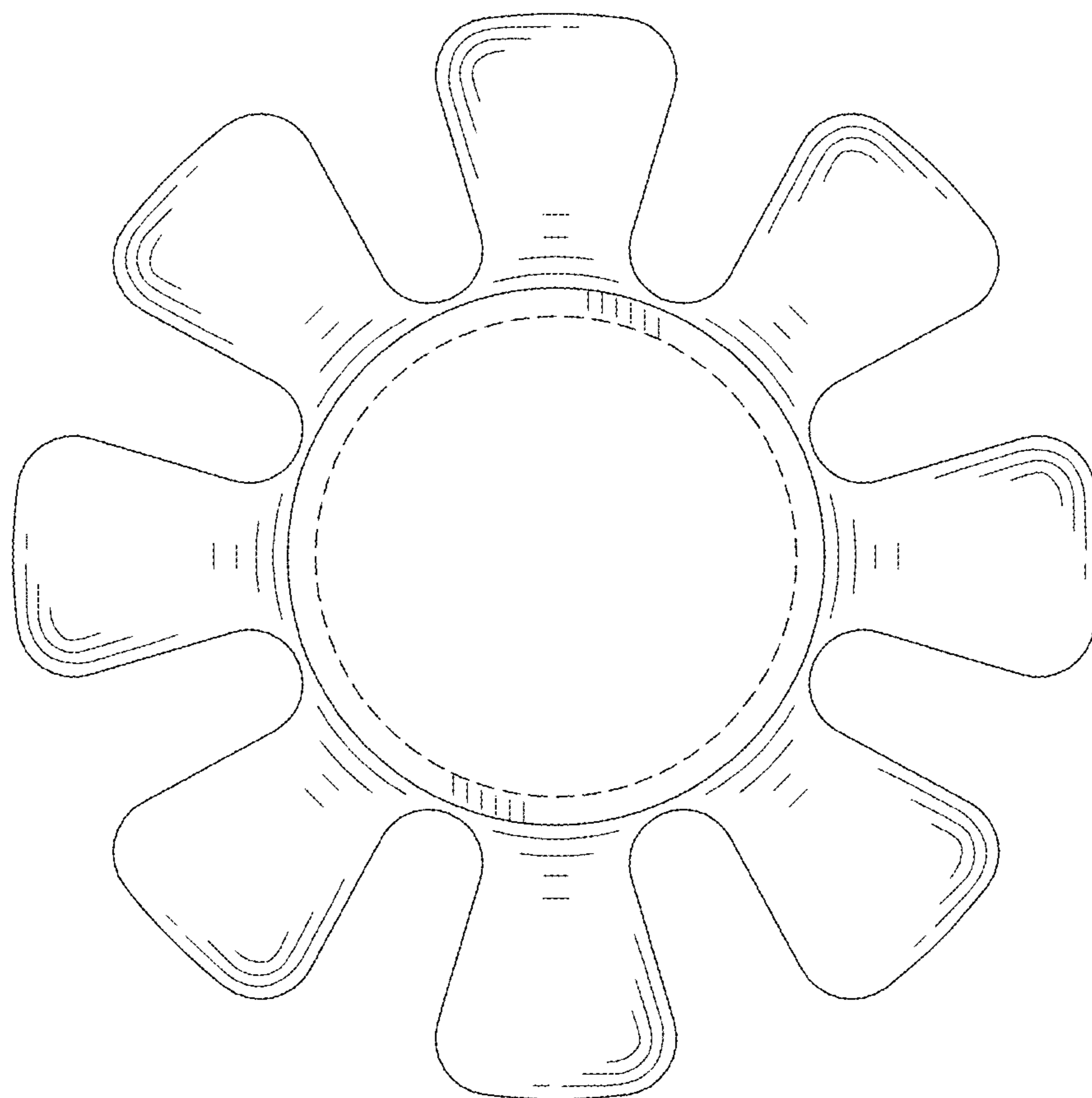


FIG. 6

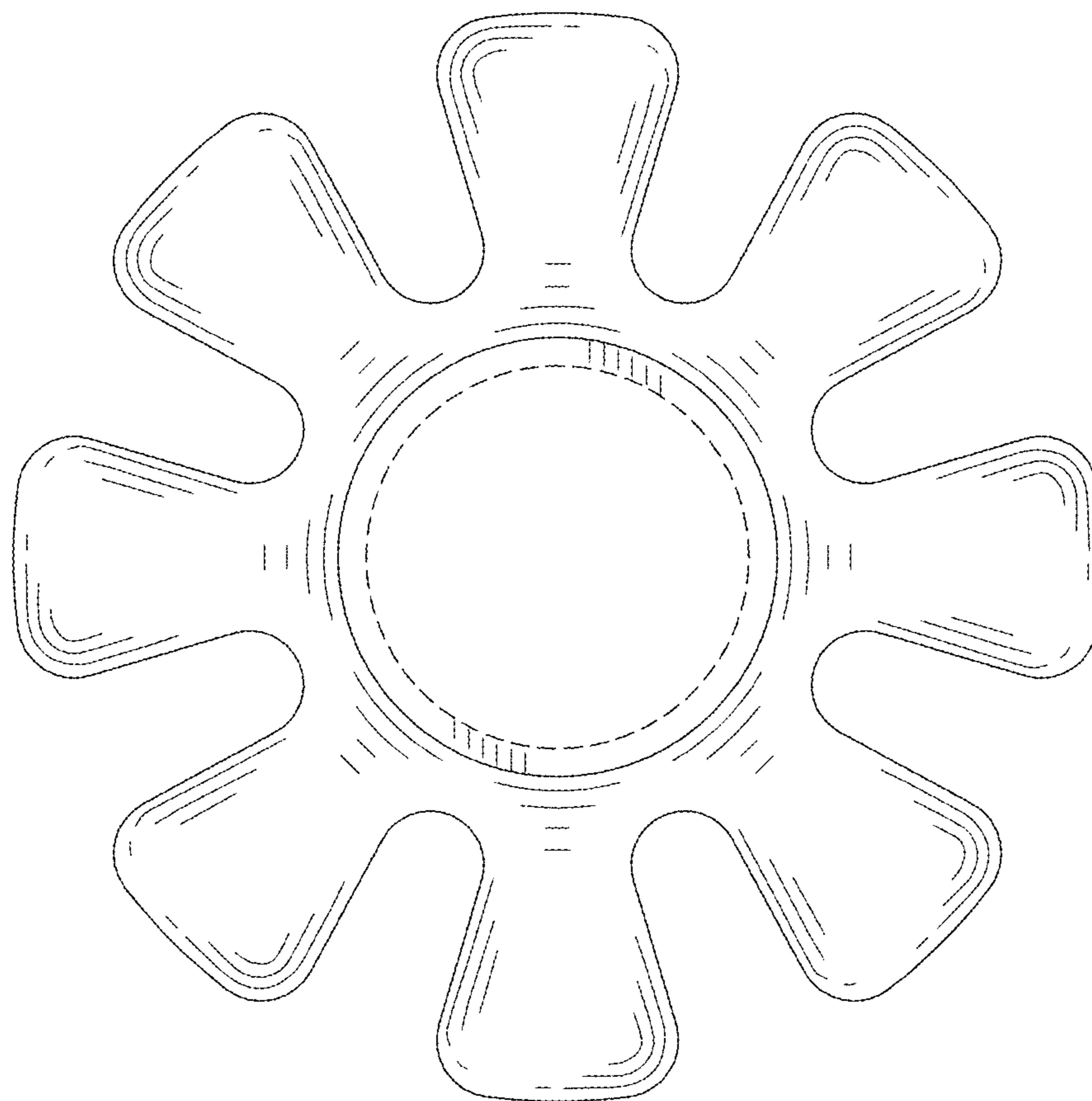


FIG. 7



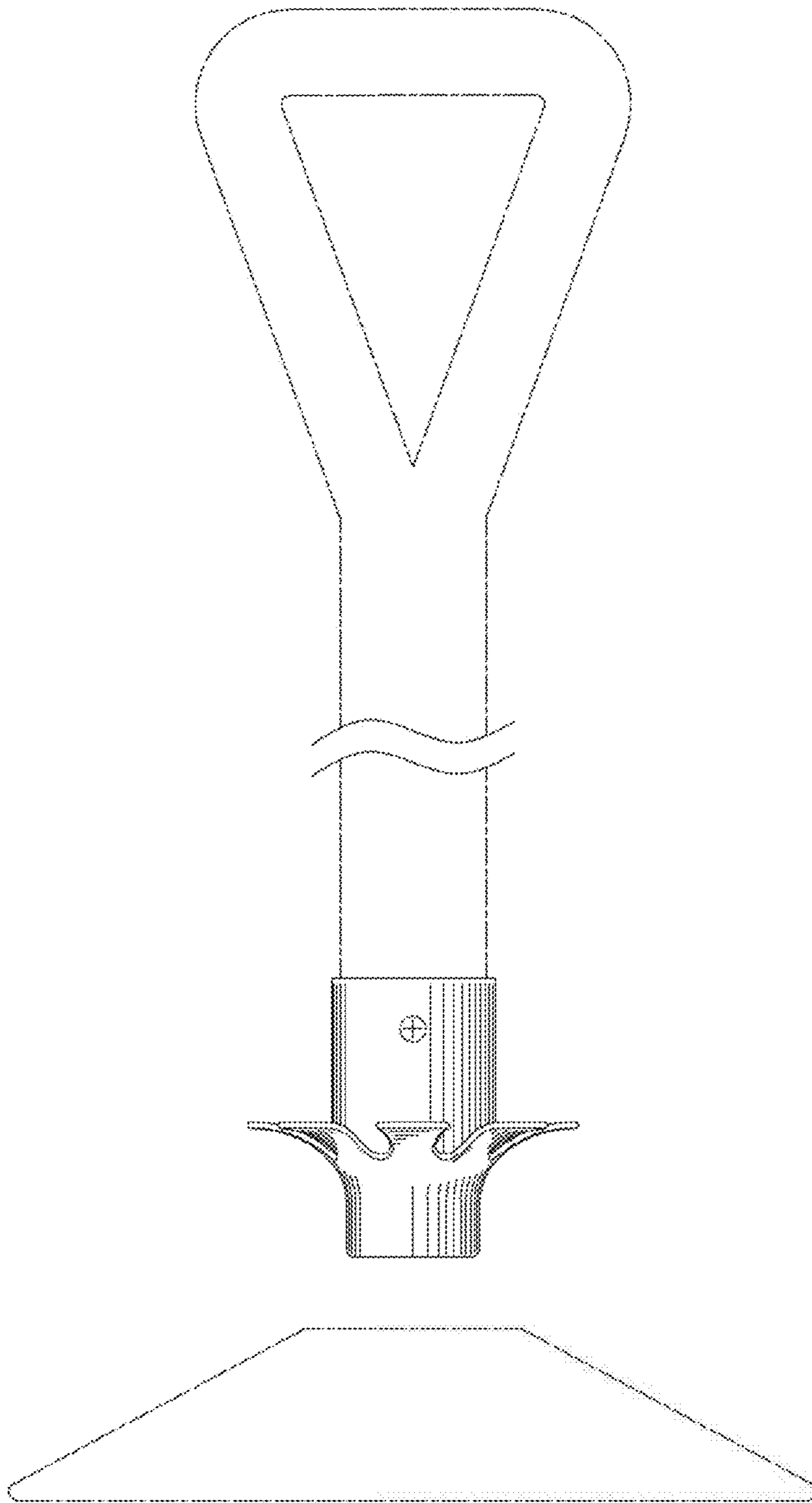


FIG. 8

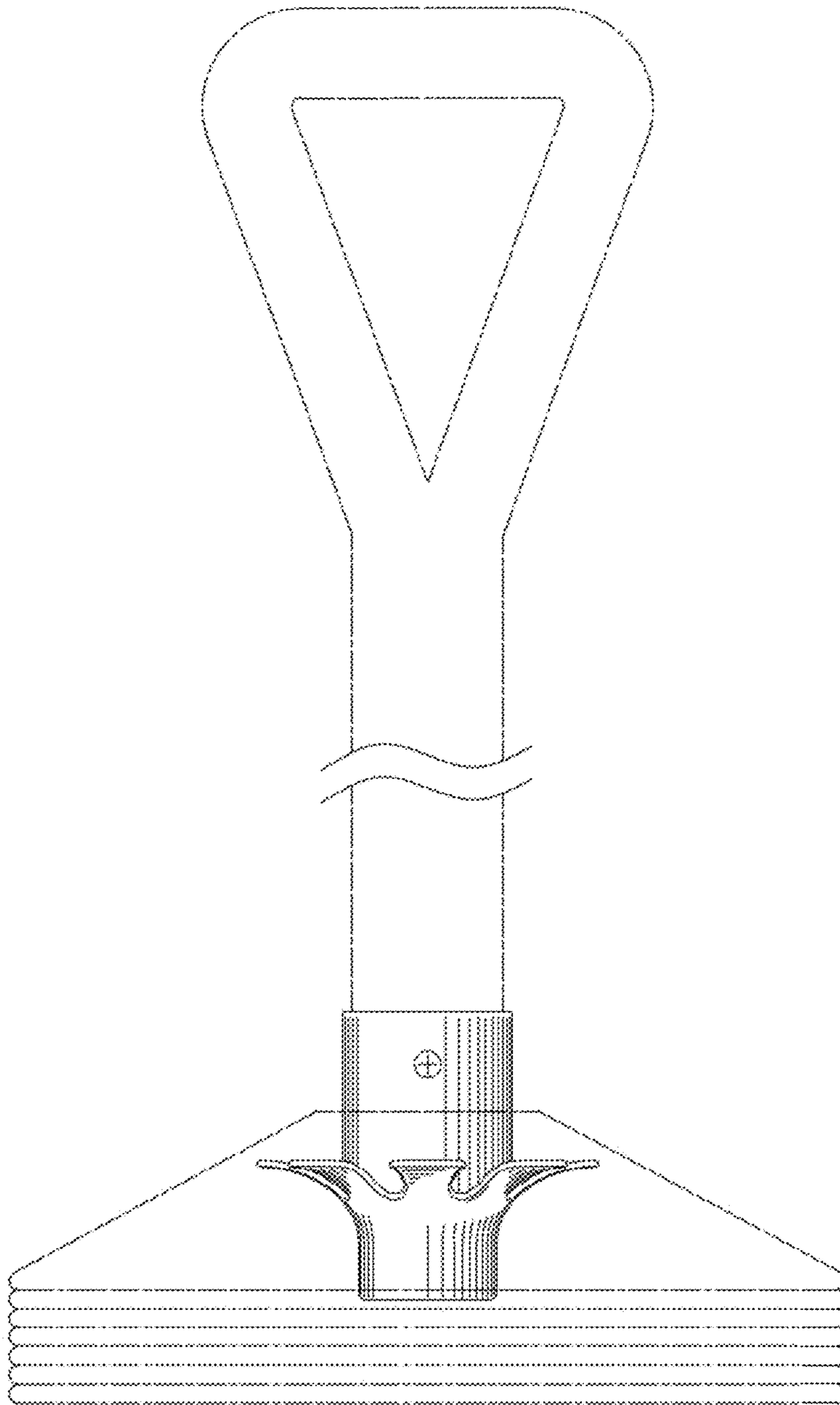


FIG. 9