



US00D680735S

(12) **United States Design Patent**
Itabashi et al.

(10) **Patent No.:** **US D680,735 S**
(45) **Date of Patent:** **** Apr. 30, 2013**

(54) **LEG OR ARM STRAP HAVING KNIFE
HOLSTER**

(76) Inventors: **Christina Itabashi**, Boston, MA (US);
John O’Hearn, Boston, MA (US)

(**) Term: **14 Years**

(21) Appl. No.: **29/430,056**

(22) Filed: **Aug. 21, 2012**

(51) **LOC (9) Cl.** **03-01**

(52) **U.S. Cl.**
USPC **D3/220**

(58) **Field of Classification Search** D3/220,
D3/215, 218–219, 224, 226, 228; 224/219,
224/222, 267, 269, 232, 578–580, 661, 671,
224/674, 191, 193; 30/151, 162
See application file for complete search history.

(56) **References Cited**

U.S. PATENT DOCUMENTS

3,533,540 A 10/1970 Carinci
D251,569 S 4/1979 Johnson
D339,689 S * 9/1993 Andolina D3/220

5,465,889 A 11/1995 Smith
D370,120 S * 5/1996 Teraoka D3/220
D378,243 S * 3/1997 Seber D3/220
6,378,745 B1 4/2002 DeLuccia
D457,310 S * 5/2002 Aberman D3/220
D473,048 S 4/2003 DiLorenzo
6,840,416 B2 1/2005 Aberman
D537,623 S * 3/2007 Dennis et al. D3/218
7,766,203 B2 8/2010 Marinaj

* cited by examiner

Primary Examiner — Catheri Oliver-Garcia

(57) **CLAIM**

We claim the ornamental design for the leg or arm strap having knife holster, as shown and described.

DESCRIPTION

FIG. 1 is a front view of the leg or arm strap having knife holster.

FIG. 2 is a rear view of the claimed design.

FIG. 3 is a left side view of the claimed design.

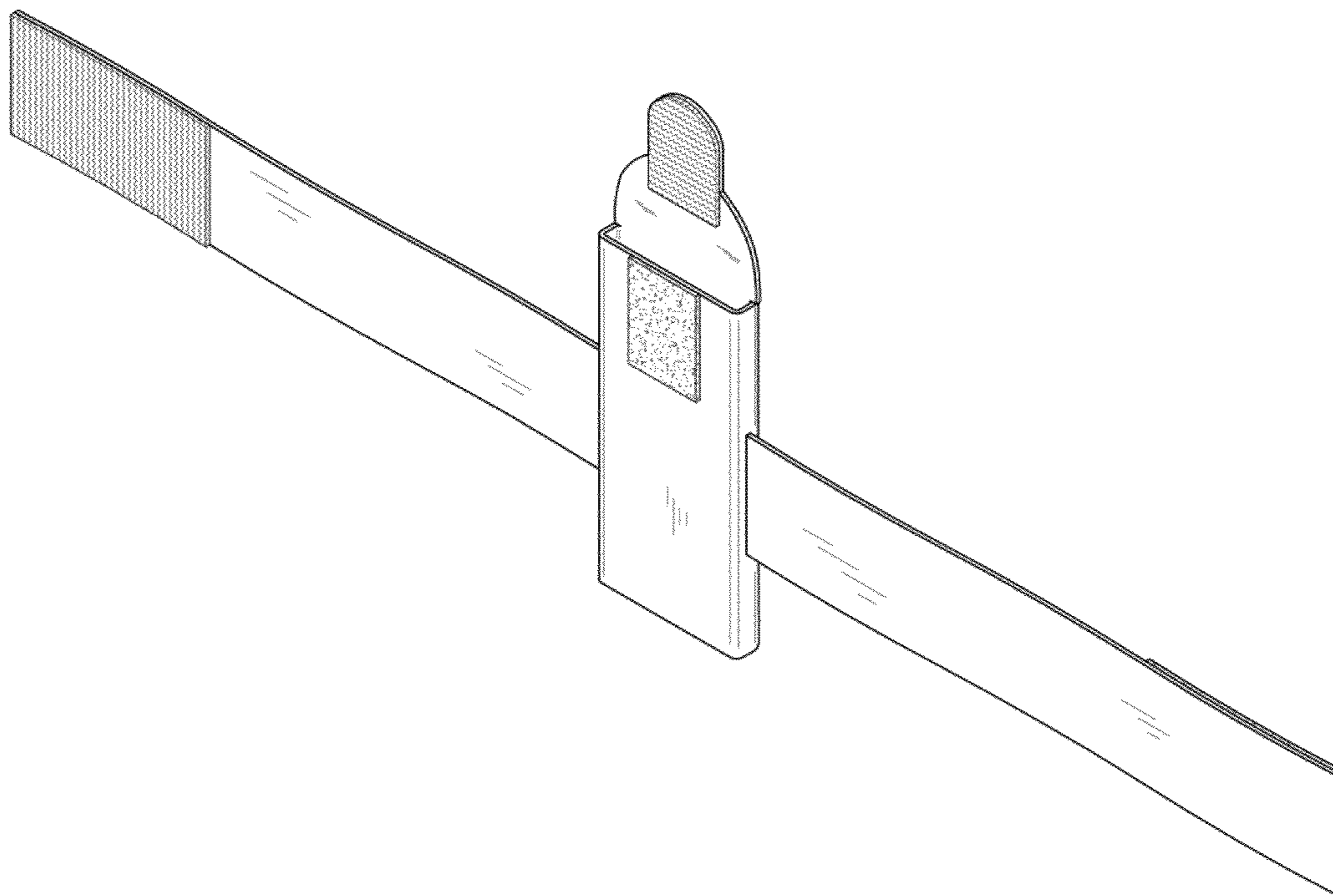
FIG. 4 is a right side view of the claimed design.

FIG. 5 is a top view of the claimed design.

FIG. 6 is a bottom view of the claimed design; and,

FIG. 7 is a perspective view of the claimed design.

1 Claim, 3 Drawing Sheets



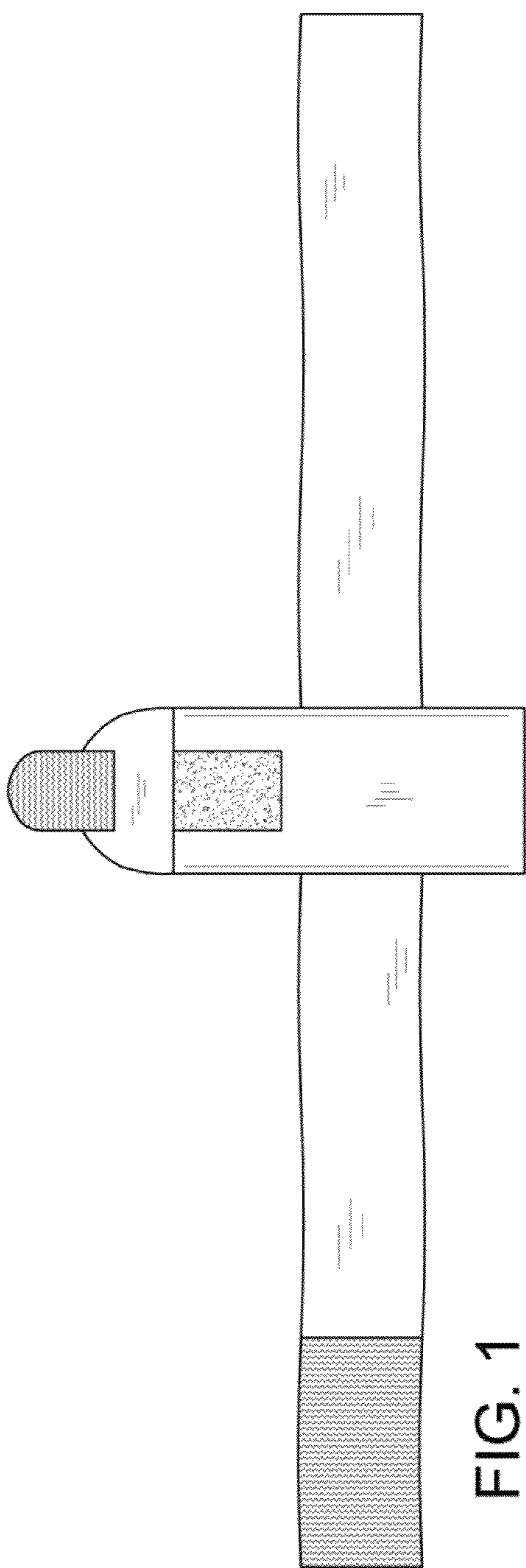


FIG. 1

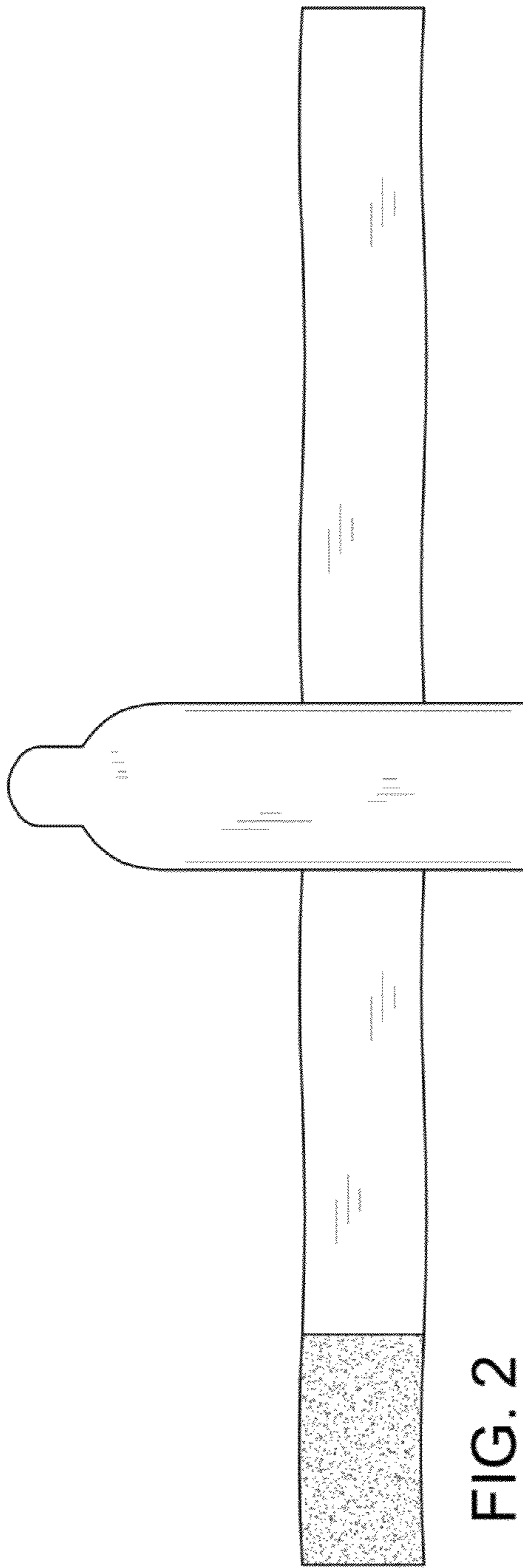


FIG. 2

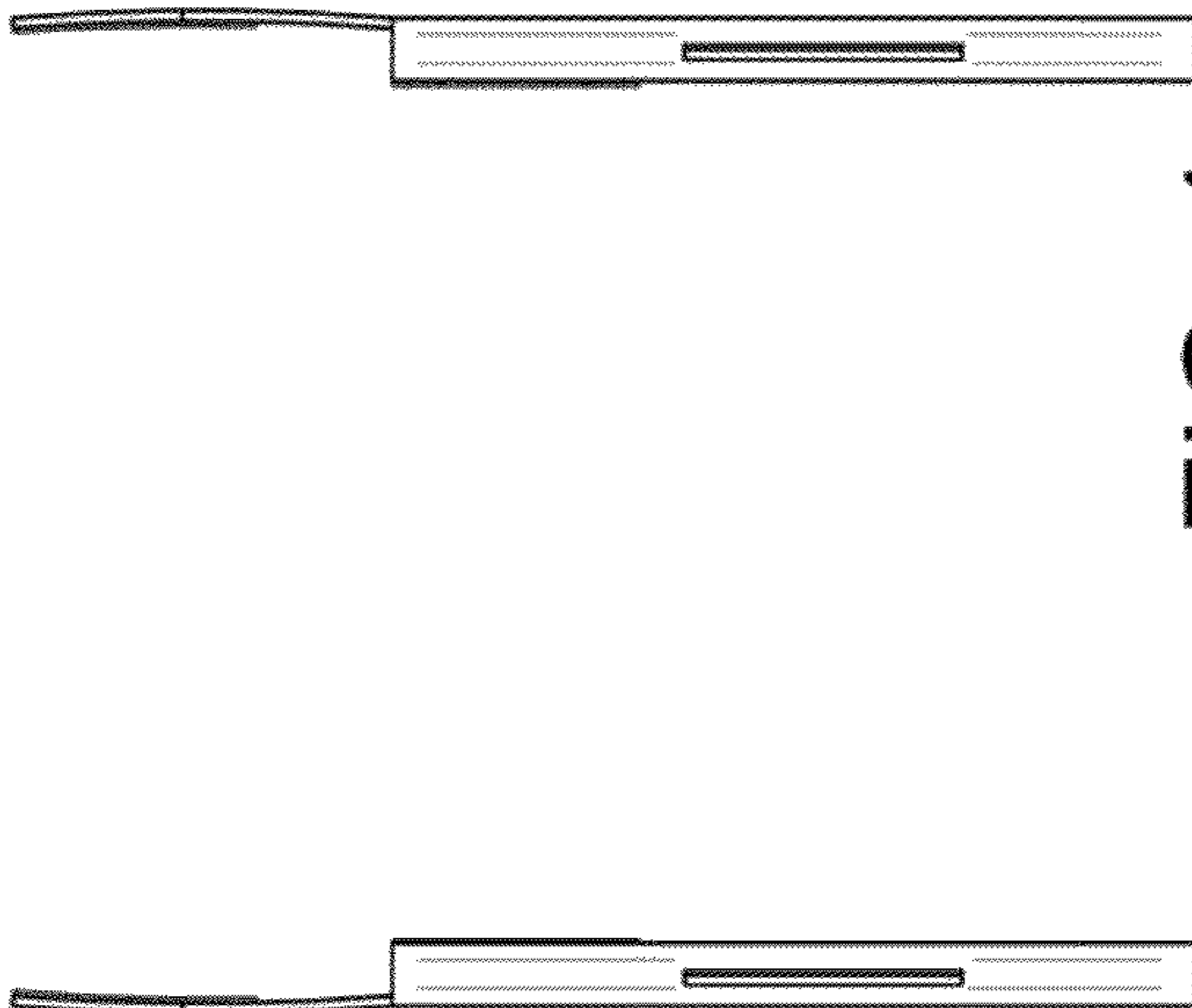


FIG. 3

FIG. 4



FIG. 5



FIG. 6

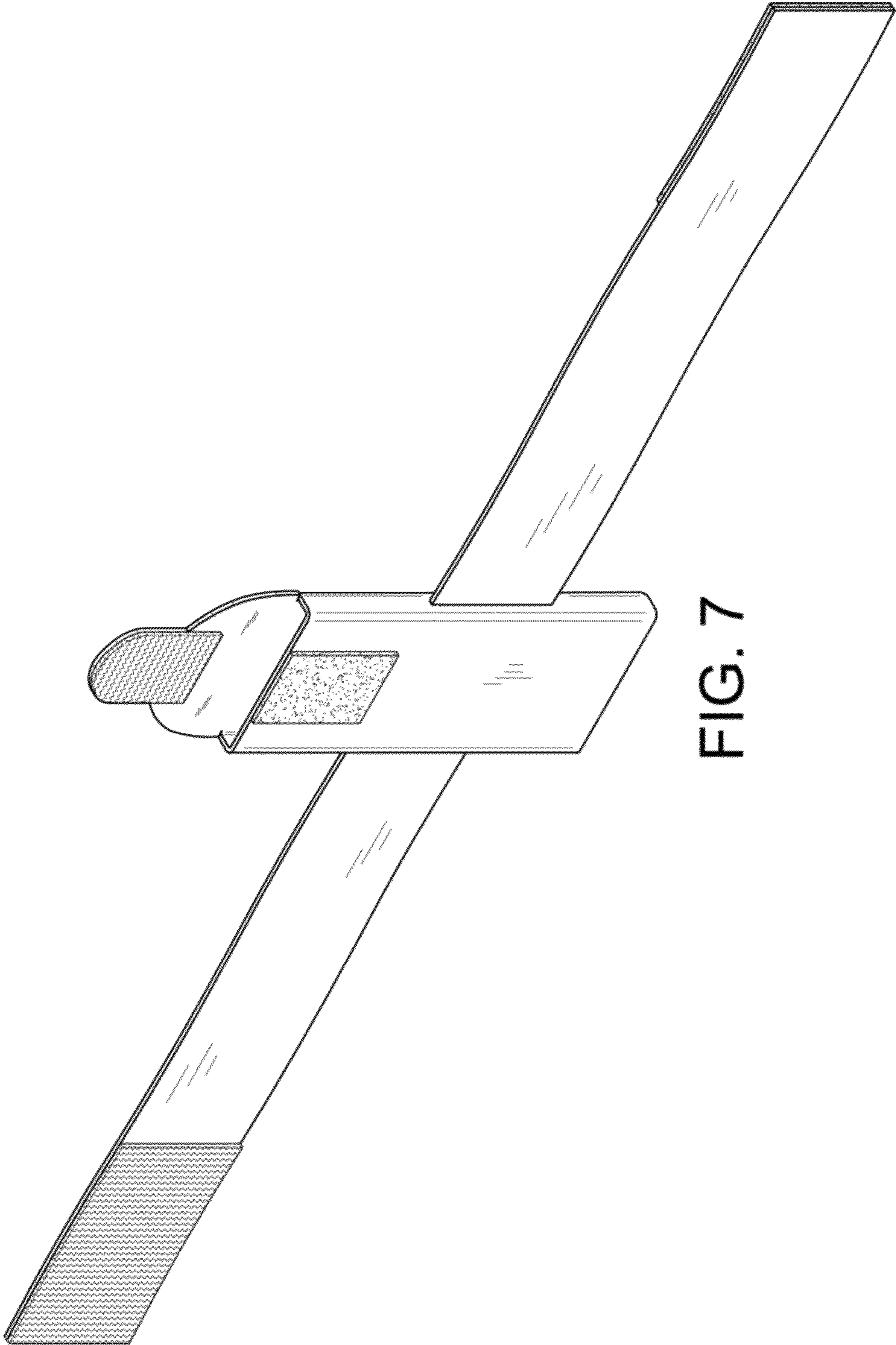


FIG. 7