



US00D680733S

(12) **United States Design Patent**
Aprea

(10) **Patent No.:** **US D680,733 S**

(45) **Date of Patent:** **** Apr. 30, 2013**

(54) **COMBINATION CARD AND KEY HOLDER**

D506,057 S 6/2005 MacDonald
D510,798 S 10/2005 MacDonald
D513,120 S * 12/2005 Hunter et al. D3/249
D621,605 S 8/2010 MacDonald

(71) Applicant: **Michael Aprea**, Tiverton, RI (US)

(72) Inventor: **Michael Aprea**, Tiverton, RI (US)

* cited by examiner

(**) Term: **14 Years**

Primary Examiner — Ralf Seifert

(21) Appl. No.: **29/434,831**

(74) *Attorney, Agent, or Firm* — Barlow, Josephs & Holmes, Ltd.

(22) Filed: **Oct. 17, 2012**

Related U.S. Application Data

(63) Continuation of application No. 13/650,937, filed on Oct. 12, 2012.

(51) **LOC (9) Cl.** **03-01**

(52) **U.S. Cl.**

USPC **D3/208**

(58) **Field of Classification Search** D11/1-2, D11/14, 26-29, 89-92, 44, 48, 81, 99; 63/26-28, 63/32; D3/207-212; D8/16, 38, 347, 348; 70/456 B, 457, 458, 456 R, 447, 448; 206/37.1; D21/576, 593, 594, 606, 609, 610, 611, 659, D21/660; 40/634

See application file for complete search history.

(56) **References Cited**

U.S. PATENT DOCUMENTS

958,620 A * 5/1910 Gardner 40/662
2,181,796 A * 11/1939 Williams, Jr. 40/634
2,572,703 A * 10/1951 Dennis 281/51
D324,305 S * 3/1992 Prey D3/247
D398,773 S * 9/1998 Huang D3/208
D502,596 S * 3/2005 Smoot D3/208
D505,544 S 5/2005 MacDonald
D505,781 S 6/2005 MacDonald

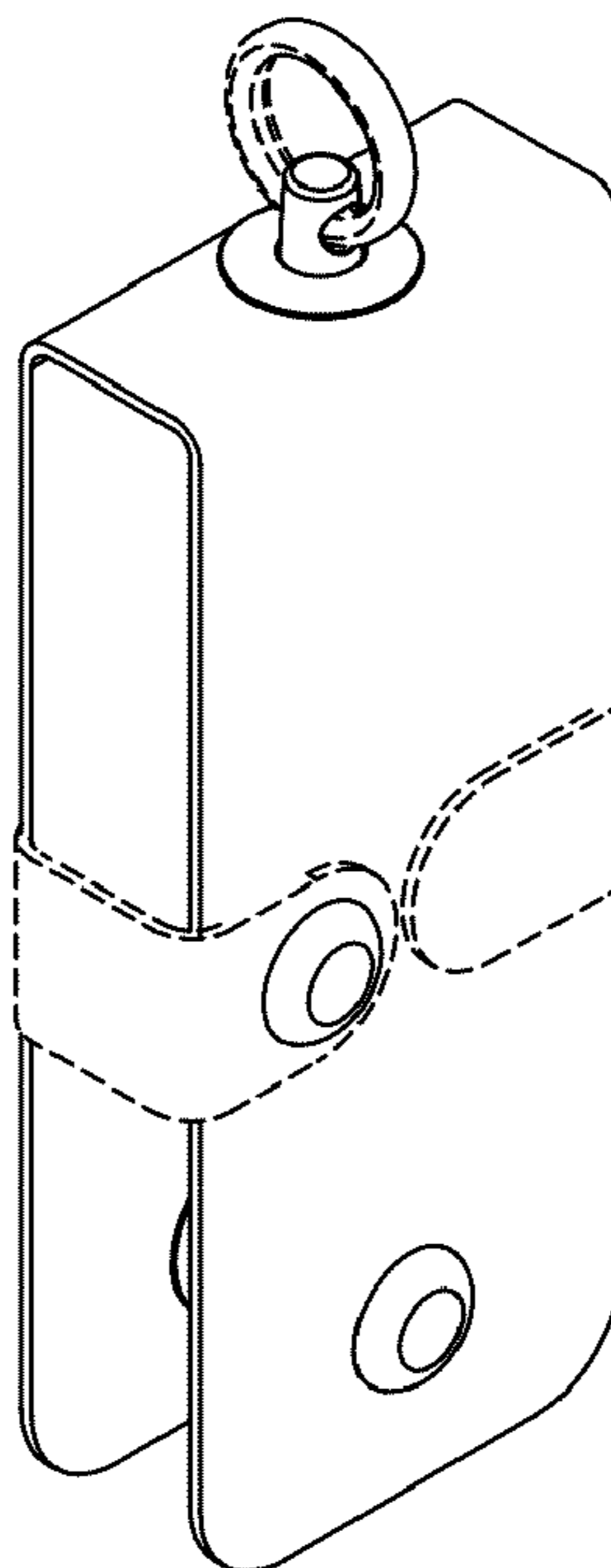
(57) **CLAIM**

The ornamental design for a combination card and key holder, as shown and described.

DESCRIPTION

FIG. 1 is a perspective view of the combination card and key holder in accordance with the invention, the dashed lines forming no part of the claimed design; FIG. 2 is a top elevation view thereof, the dashed lines forming no part of the claimed design; FIG. 3 is a front elevation view thereof, the dashed lines forming no part of the claimed design; FIG. 4 is a left side elevation view thereof, the dashed lines forming no part of the claimed design; FIG. 5 is a bottom elevation view thereof, the dashed lines forming no part of the claimed design; FIG. 6 is a perspective view thereof, showing the key tags fanned out for viewing, the dashed lines forming no part of the claimed design; and, FIG. 7 is a front elevation view thereof, showing the key tags fanned out for viewing, the dashed lines forming no part of the claimed design.

1 Claim, 2 Drawing Sheets



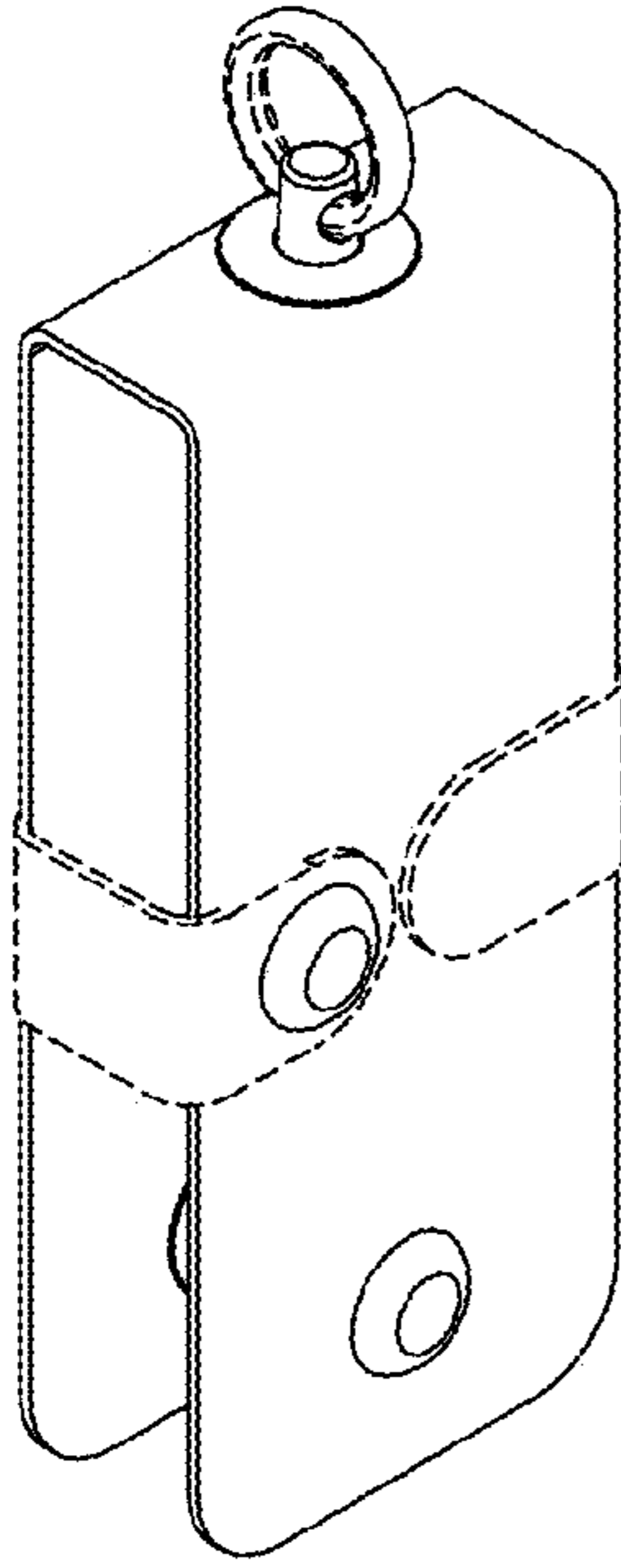


FIG. 1

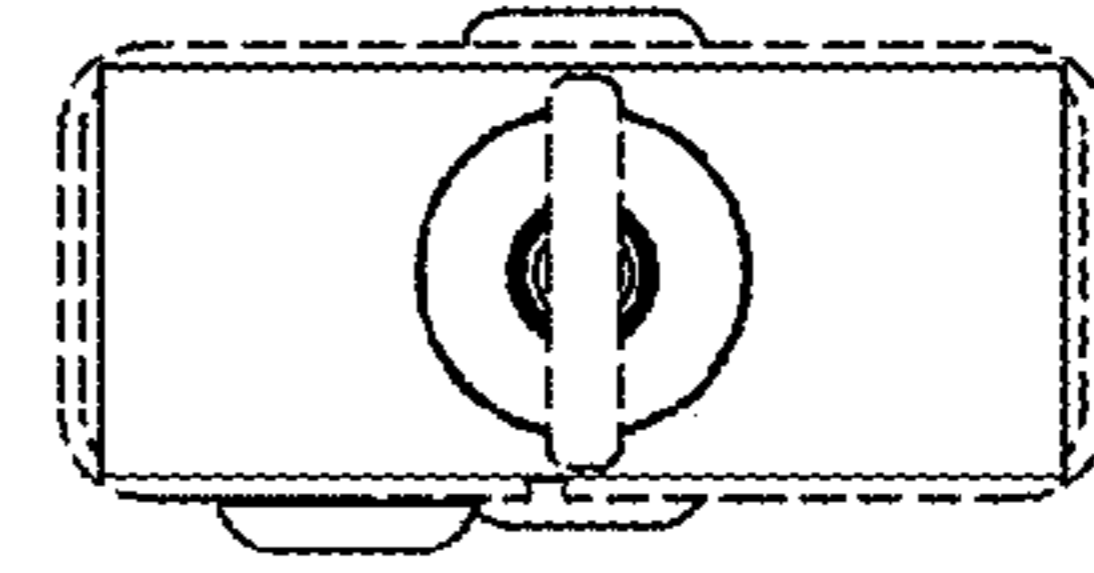


FIG. 2

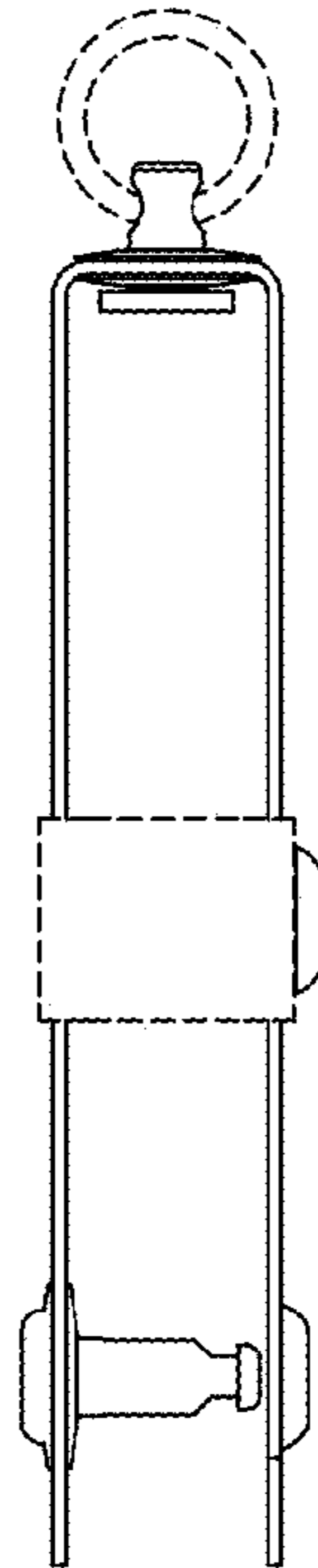


FIG. 4

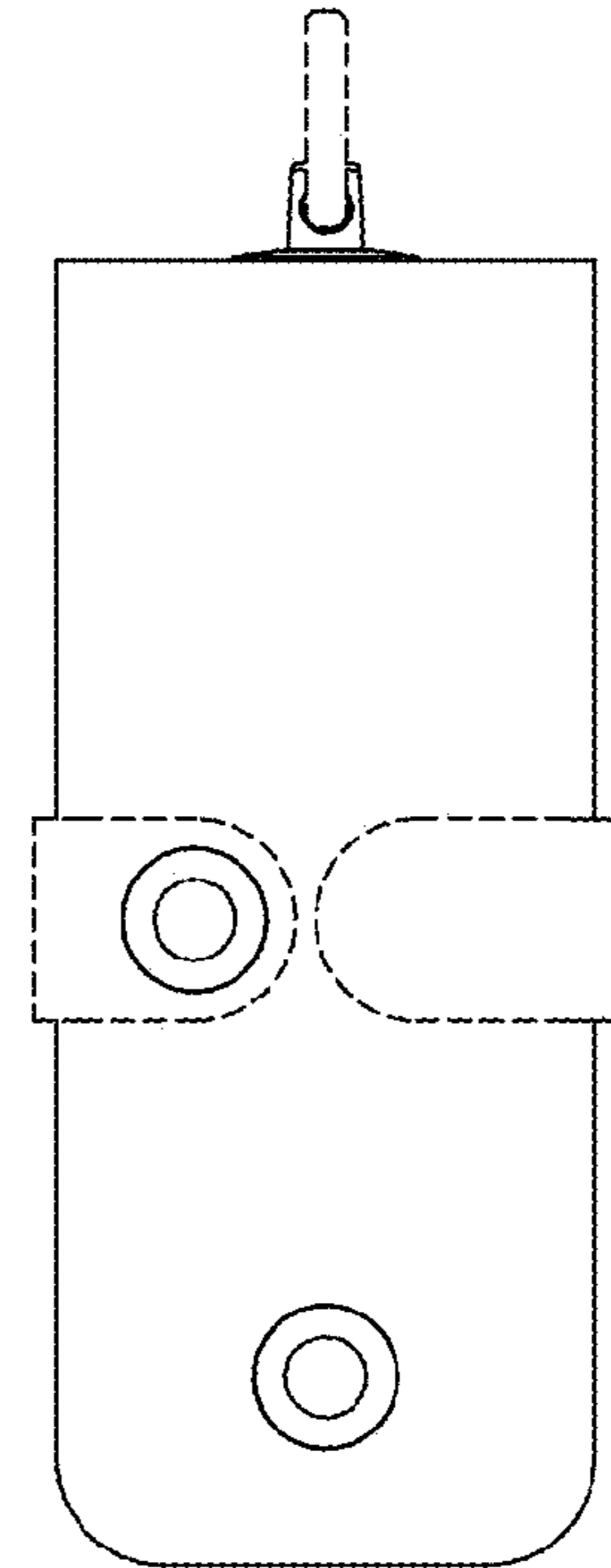


FIG. 3

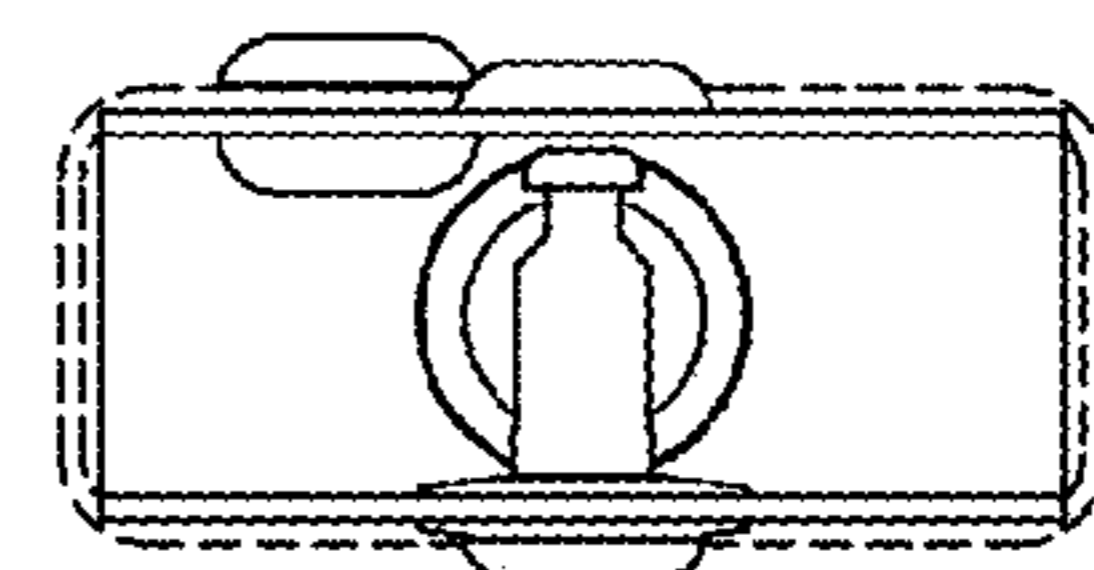


FIG. 5

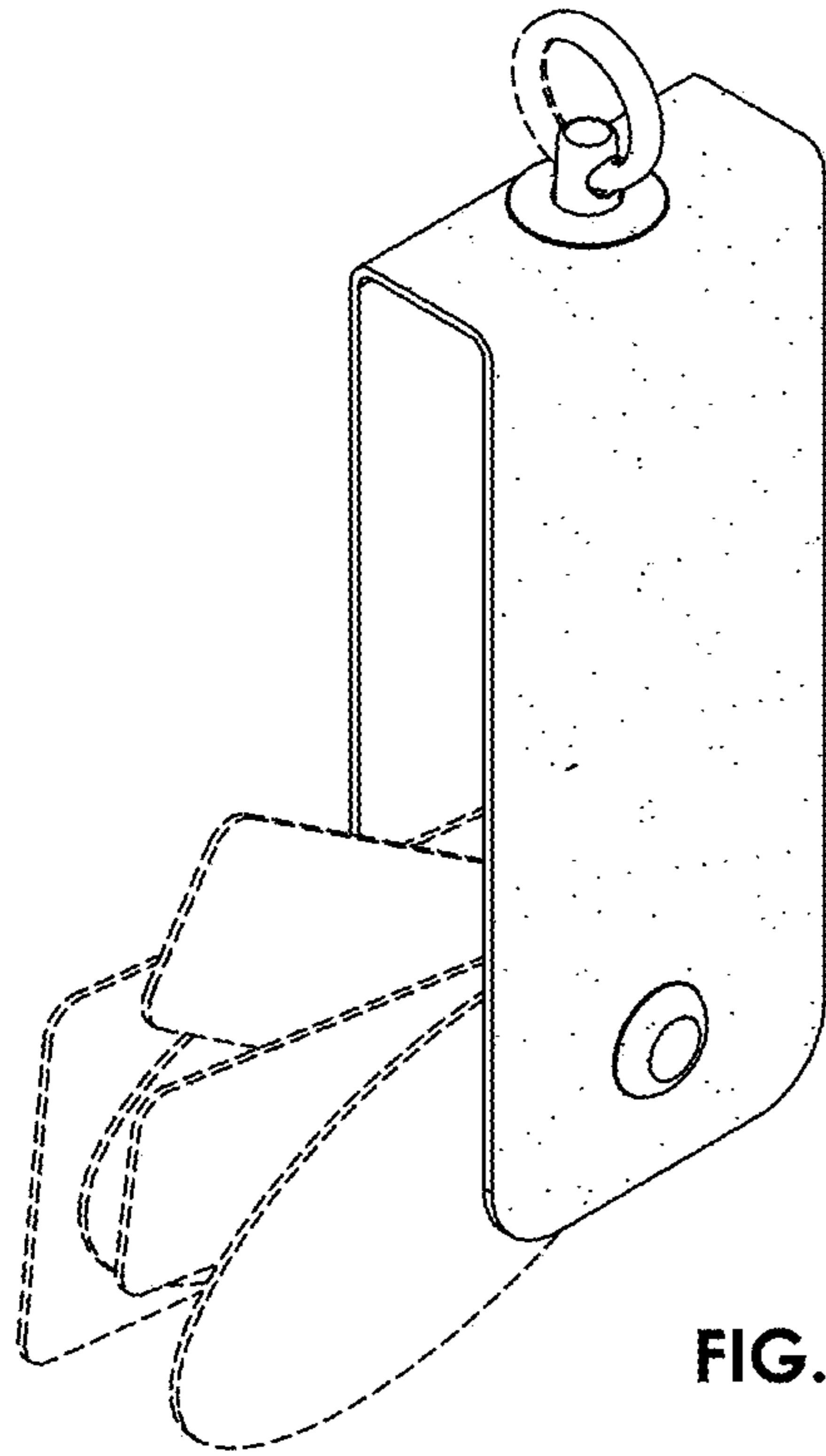


FIG. 6

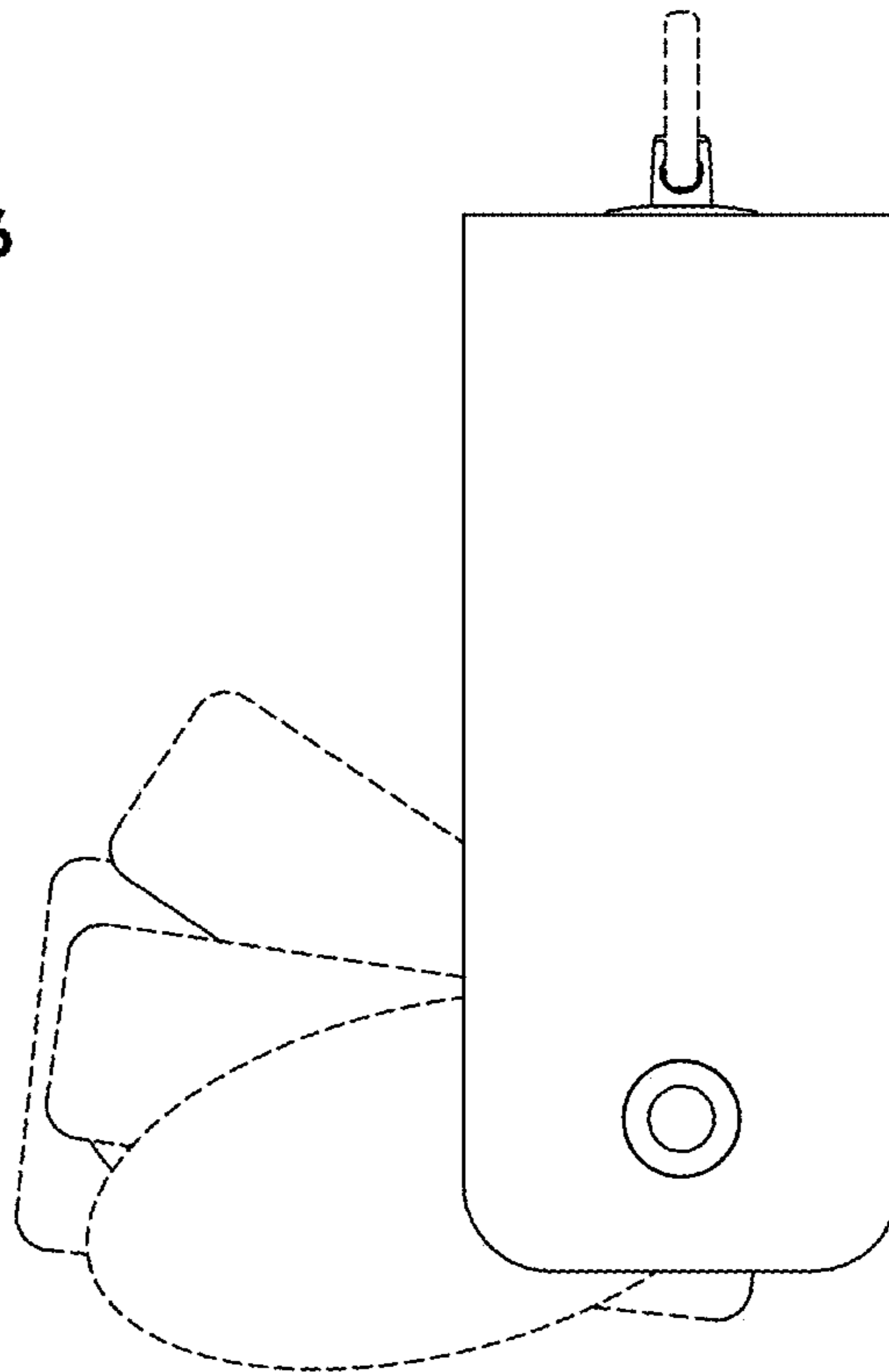


FIG. 7