



US00D680707S

(12) **United States Design Patent**  
**Terrell**

(10) **Patent No.:** **US D680,707 S**

(45) **Date of Patent:** **\*\* Apr. 30, 2013**

(54) **FROZEN DESSERT HOLDER**

(76) **Inventor:** **Amy Suzanne Terrell**, Sandy Springs,  
GA (US)

(\*\*) **Term:** **14 Years**

(21) **Appl. No.:** **29/374,412**

(22) **Filed:** **Aug. 10, 2011**

(51) **LOC (9) Cl.** ..... **01-01**

(52) **U.S. Cl.**  
USPC ..... **D1/105**

(58) **Field of Classification Search** ..... D1/100-130,  
D1/199; 426/138, 143, 275, 277, 279, 281-84,  
426/292, 295, 391, 514; D7/505, 540, 584,  
D7/513, 541, 546, 553.3, 553.6, 553.7, 547,  
D7/555, 602, 672; D11/143; 220/575; D28/93;  
D30/129, 130; D3/314; D21/386; 119/61.5;  
D23/249

See application file for complete search history.

(56) **References Cited**

**U.S. PATENT DOCUMENTS**

D105,812 S *	8/1937	Siekert	.....	D30/130
2,529,354 A *	11/1950	Schroeder	.....	220/506
2,920,804 A *	1/1960	Minton	.....	229/400
D215,907 S *	11/1969	Little	.....	D28/93
4,106,162 A *	8/1978	Fournier	.....	425/298

D304,658 S *	11/1989	Mattei	.....	D7/505
D453,308 S *	2/2002	McCauley	.....	D11/152
6,550,630 B1 *	4/2003	Krupa	.....	220/575
D488,741 S *	4/2004	Moya	.....	D11/143
D527,224 S *	8/2006	Roth et al.	.....	D7/540
D527,951 S *	9/2006	Roth et al.	.....	D7/540
D572,533 S *	7/2008	Mansfield et al.	.....	D7/513
D574,183 S *	8/2008	Broom	.....	D7/359
D616,503 S *	5/2010	Scatterday	.....	D20/99
D620,757 S *	8/2010	Ahlm et al.	.....	D7/523
D667,277 S *	9/2012	Belitz	.....	D7/619.1

\* cited by examiner

*Primary Examiner* — Cathron Brooks

*Assistant Examiner* — Katie Mroczka

(74) *Attorney, Agent, or Firm* — Rodgers & Rodgers

(57) **CLAIM**

The ornamental design for a frozen dessert holder, as shown and described.

**DESCRIPTION**

FIG. 1 is a perspective view of a frozen dessert holder showing my new design;

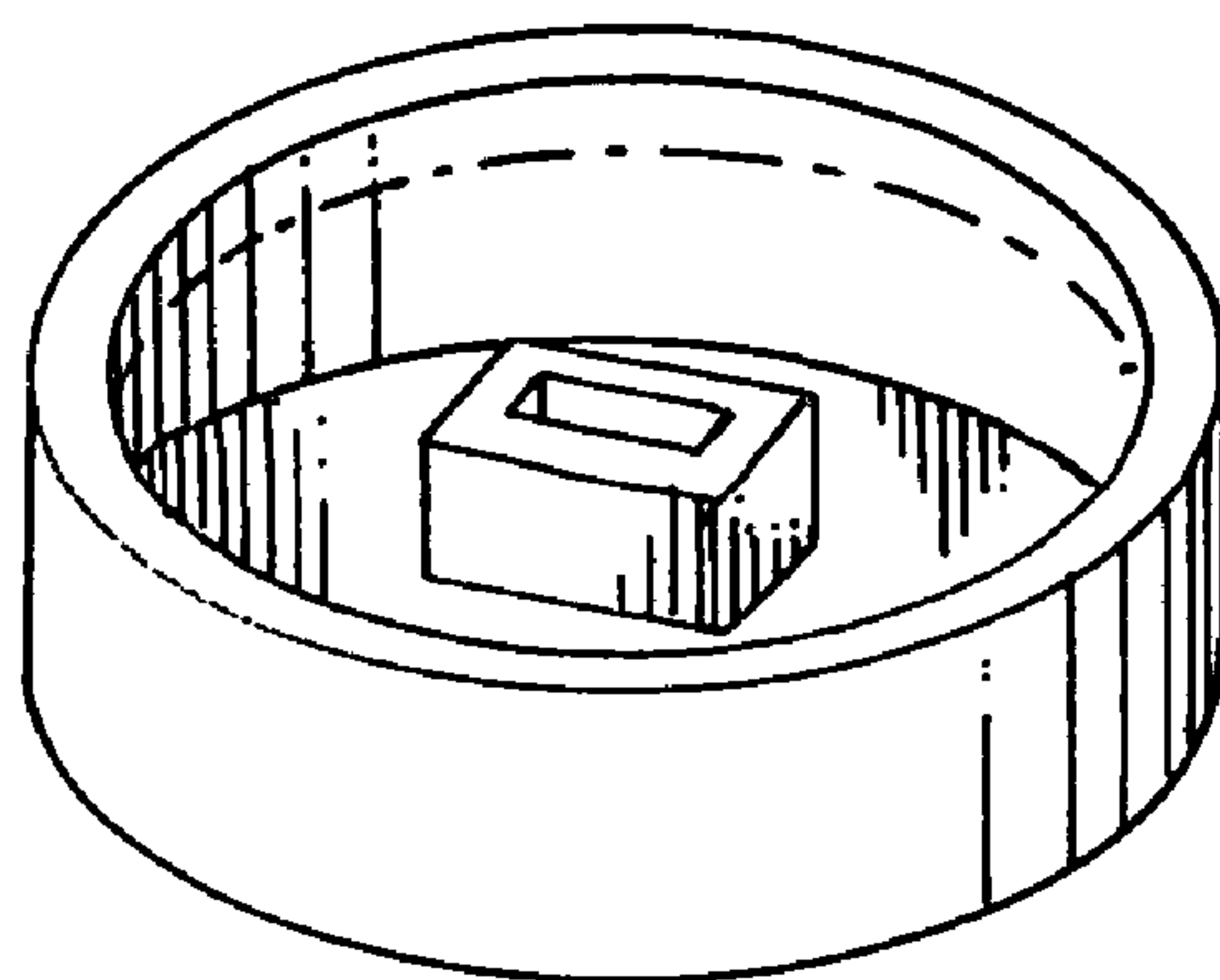
FIG. 2 is a top plan view thereof;

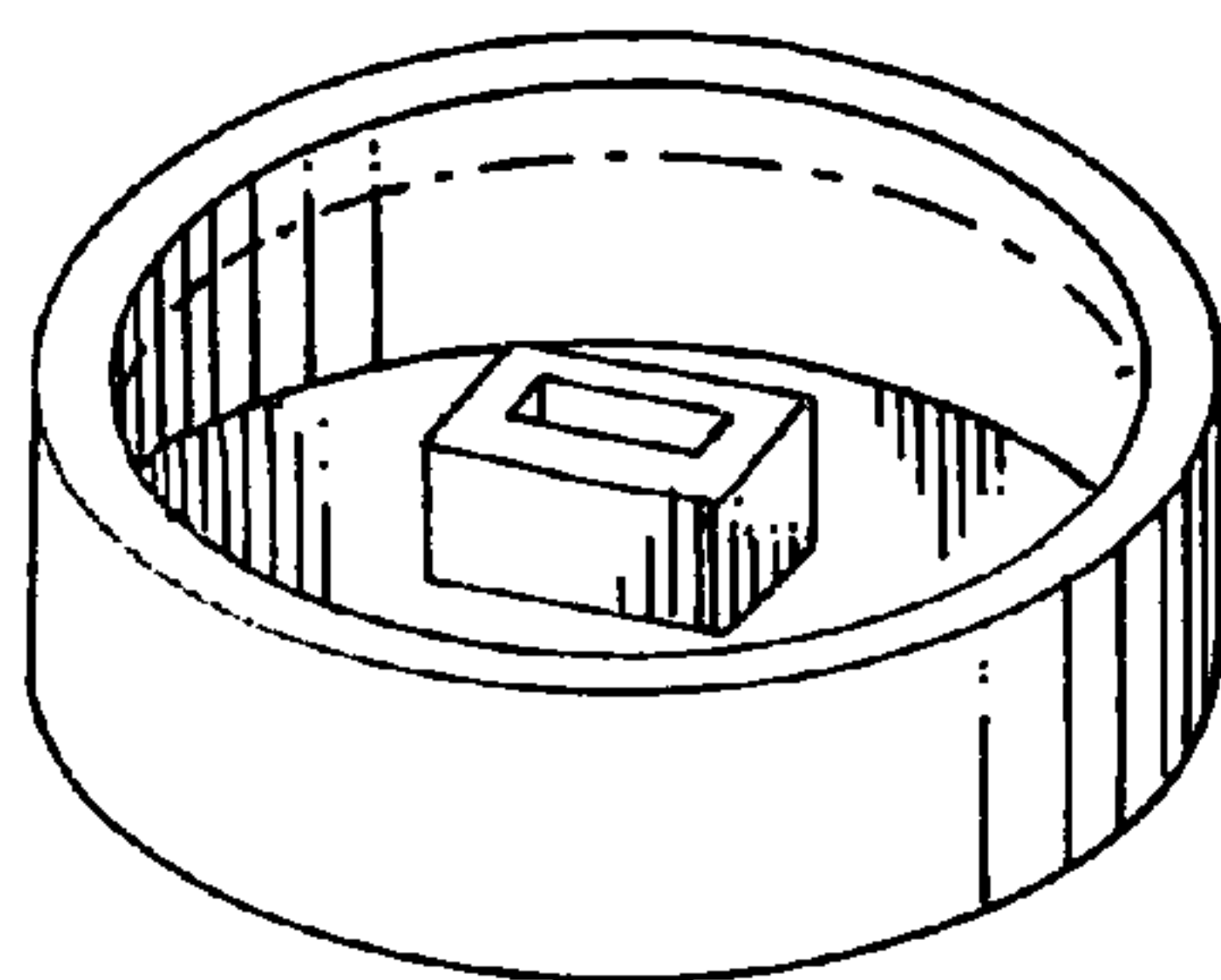
FIG. 3 is a side elevational view thereof; and,

FIG. 4 is a bottom plan view thereof.

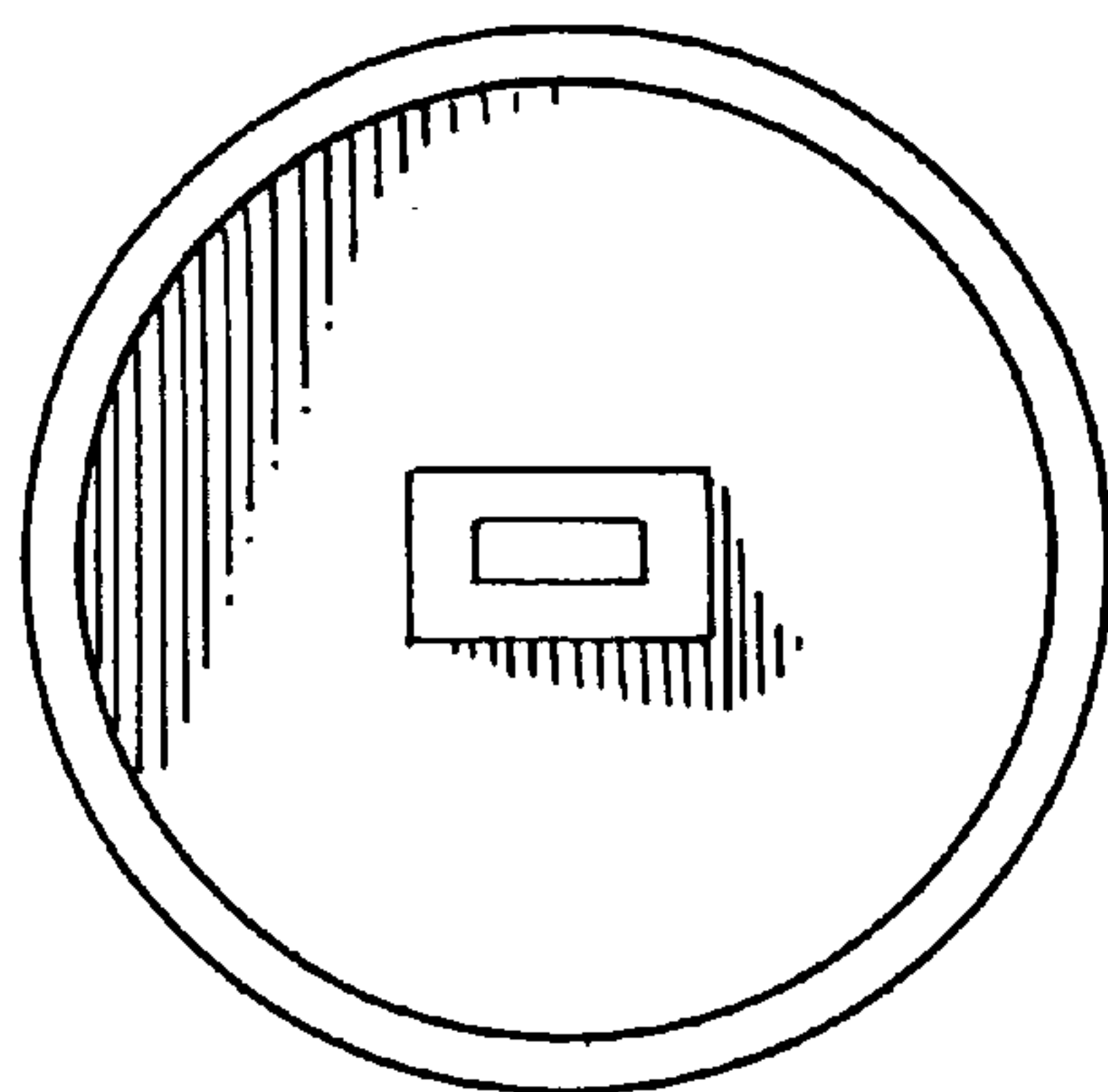
The broken lines are included for the purpose of illustrating environment and form no part of the claimed design.

**1 Claim, 1 Drawing Sheet**

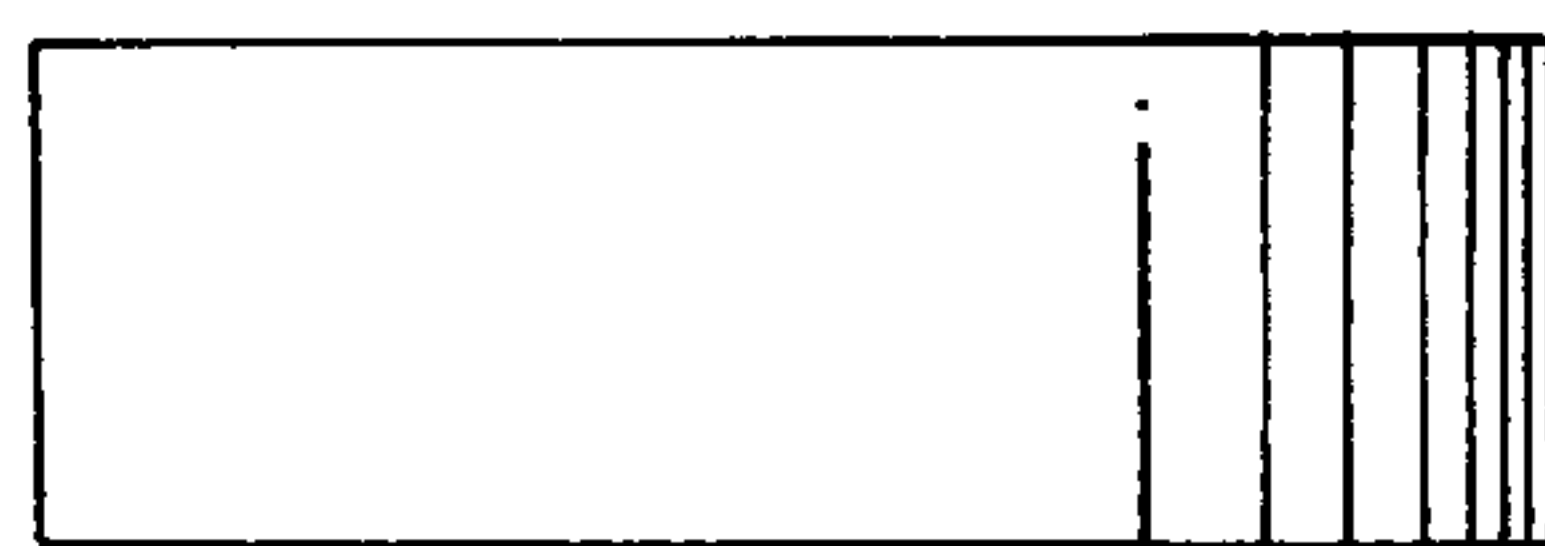




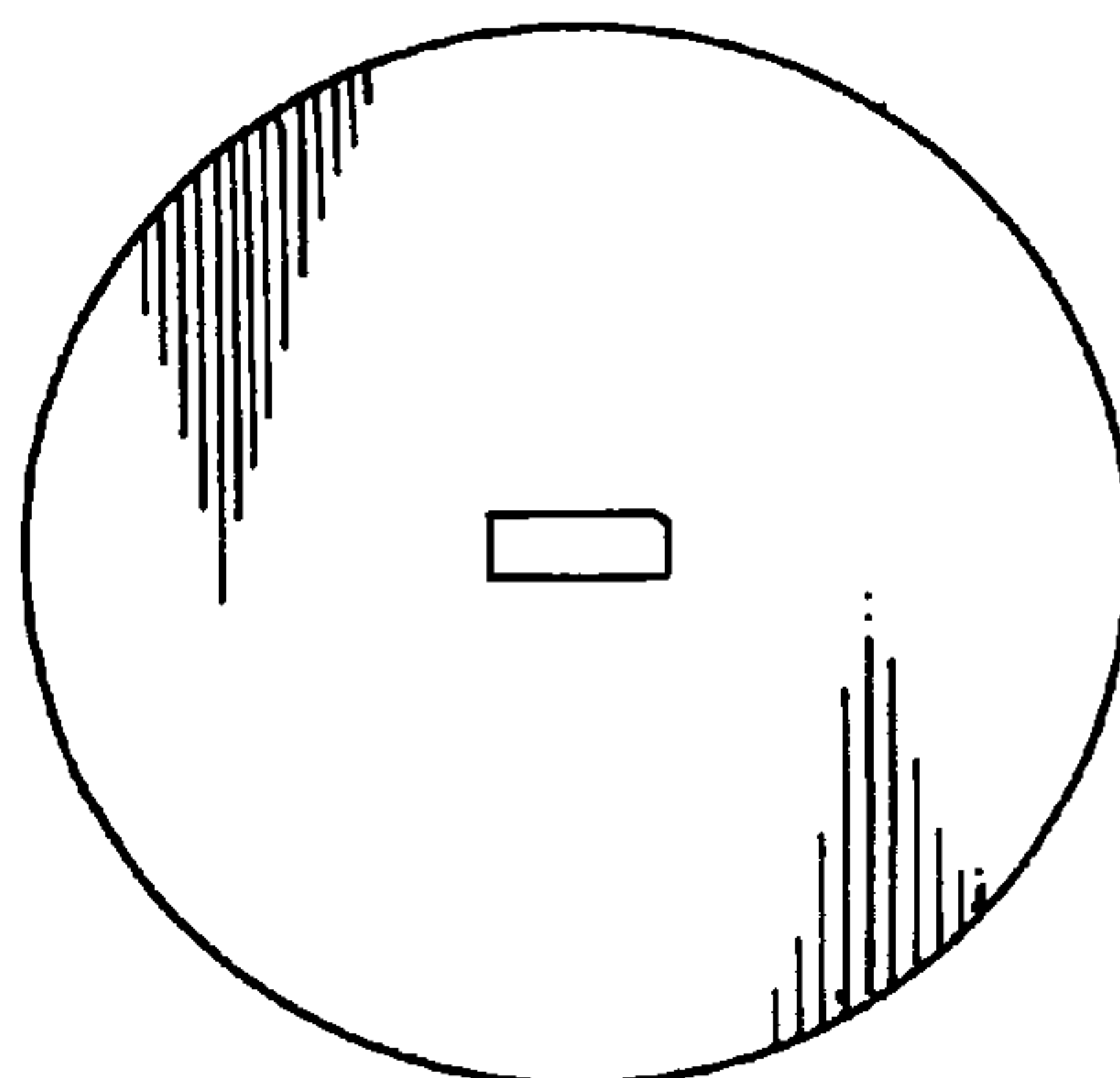
**FIG. 1**



**FIG. 2**



**FIG. 3**



**FIG. 4**