



US00D680706S

(12) **United States Design Patent**  
**Terrell**

(10) **Patent No.:** **US D680,706 S**

(45) **Date of Patent:** **\*\* Apr. 30, 2013**

(54) **FROZEN DESSERT HOLDER**

(76) Inventor: **Amy Suzanne Terrell**, Sandy Springs,  
GA (US)

(\*\*) Term: **14 Years**

(21) Appl. No.: **29/374,410**

(22) Filed: **Aug. 10, 2011**

(51) **LOC (9) Cl.** ..... **01-01**

(52) **U.S. Cl.**  
USPC ..... **D1/105**

(58) **Field of Classification Search** ..... D1/100-130,  
D1/199; 426/138, 143, 275, 277, 279, 281-84,  
426/292, 295, 391, 514; D7/505, 540, 584,  
D7/513, 541, 546, 553.3, 553.6, 553.7, 547,  
D7/555, 602, 672; D11/143; 220/575; D28/93;  
D30/123, 129, 130; D3/314; D21/386; 119/61.5;  
D23/249

See application file for complete search history.

(56) **References Cited**

U.S. PATENT DOCUMENTS

948,014	A *	2/1910	Lewis	.....	119/61.5
D64,912	S *	6/1924	McCorkell	.....	D7/553.5
3,828,802	A *	8/1974	Spanel	.....	132/212
D285,036	S *	8/1986	Gilchrist et al.	.....	D7/554.1
D326,587	S *	6/1992	Convertini	.....	D7/540
5,589,286	A *	12/1996	Iwata	.....	429/458
D381,228	S *	7/1997	Cockrum	.....	D6/518
D425,214	S *	5/2000	Speck	.....	D25/118

D507,755	S *	7/2005	Reitze	.....	D9/737
D526,161	S *	8/2006	Roth et al.	.....	D7/540
D538,041	S *	3/2007	Reitze	.....	D3/314
D557,500	S *	12/2007	Bell et al.	.....	D3/314
D574,151	S *	8/2008	Reitze	.....	D3/314
D624,353	S *	9/2010	Odeh	.....	D7/359
D666,879	S *	9/2012	Everson	.....	D7/629
D671,355	S *	11/2012	Zmrhal	.....	D7/360
2012/0294988	A1 *	11/2012	Munro et al.	.....	426/132

\* cited by examiner

*Primary Examiner* — Cathron Brooks

*Assistant Examiner* — Katie Mrocza

(74) *Attorney, Agent, or Firm* — Rodgers & Rodgers

(57) **CLAIM**

The ornamental design for a frozen dessert holder, as shown and described.

**DESCRIPTION**

FIG. 1 is a perspective view of a frozen dessert holder showing my new design;

FIG. 2 is a top plan view thereof;

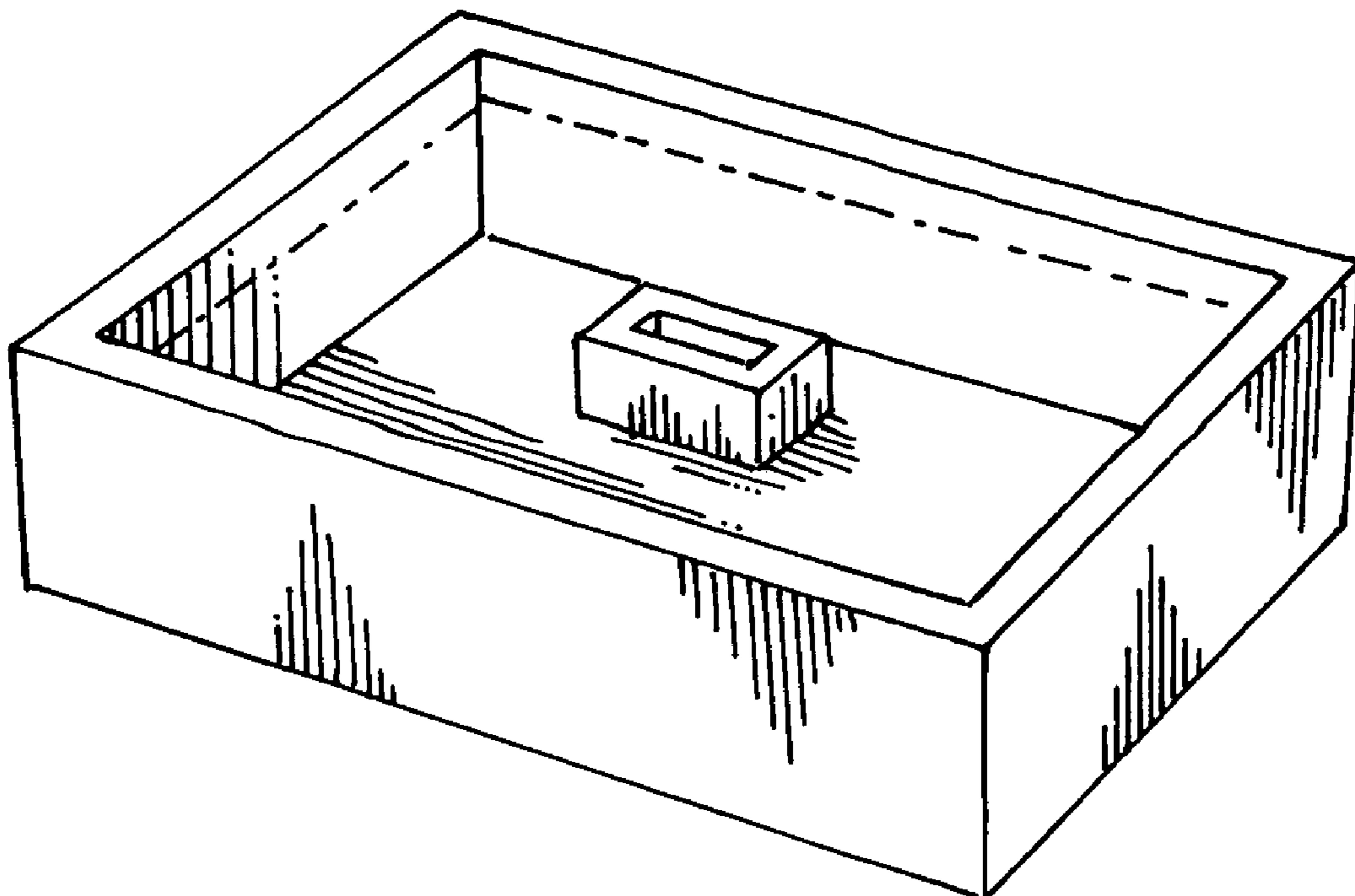
FIG. 3 is a front elevational view thereof, the rear being the same in appearance;

FIG. 4 is a left-side elevational view thereof, the right side being the same in appearance; and,

FIG. 5 is a bottom plan view thereof.

The broken lines are included for the purpose of illustrating environment and form no part of the claimed design.

**1 Claim, 1 Drawing Sheet**



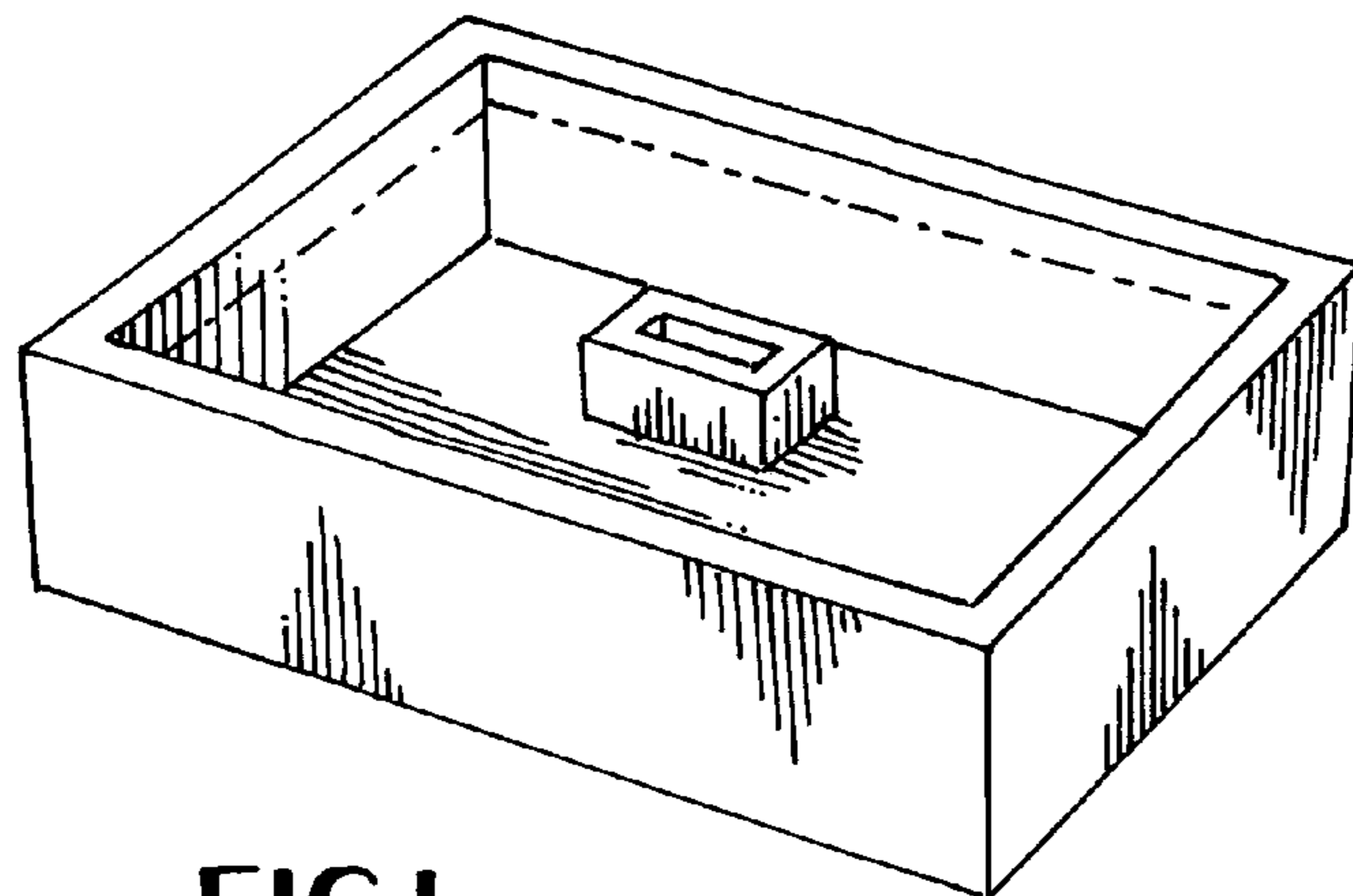


FIG. 1

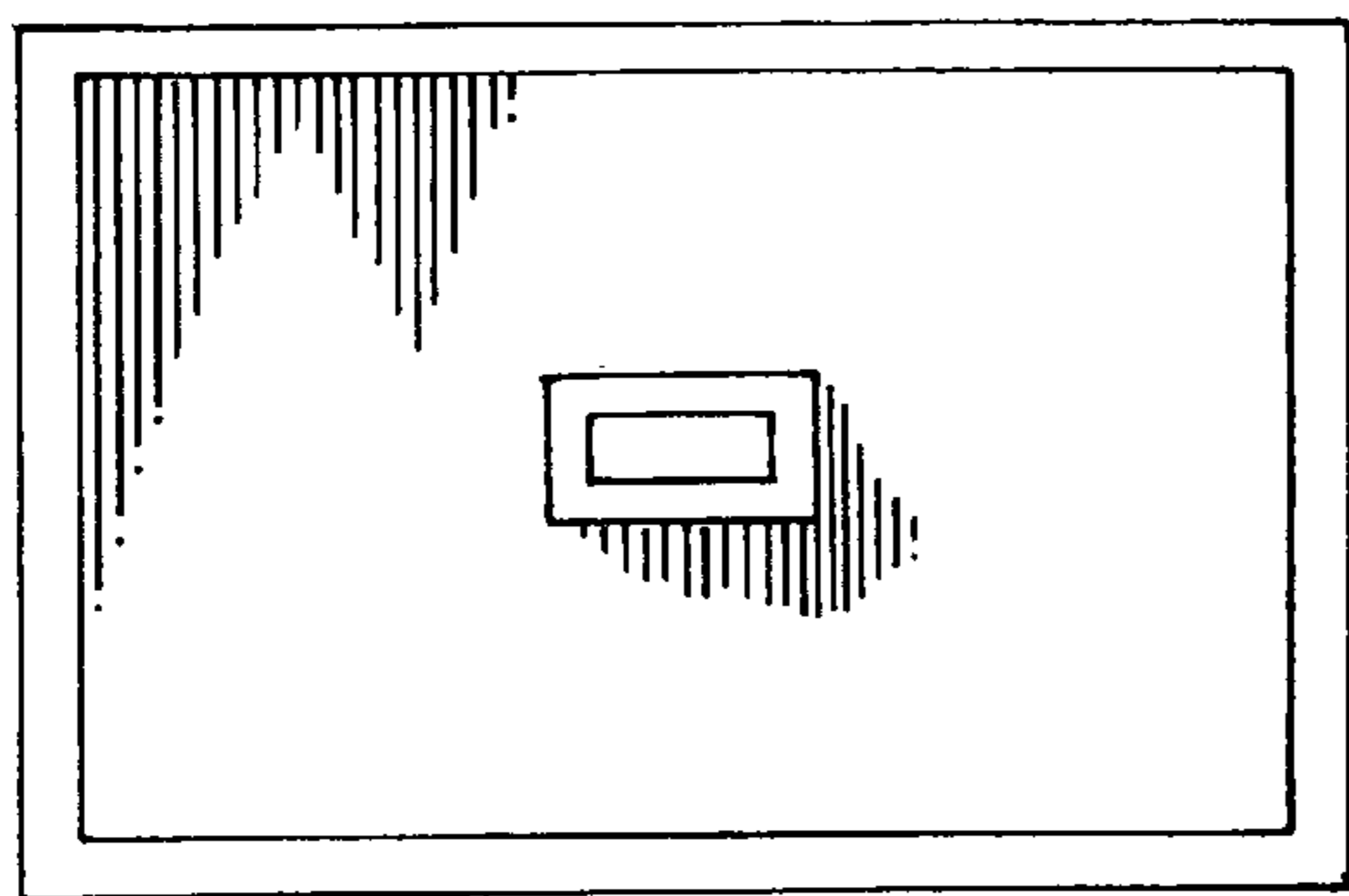


FIG. 2

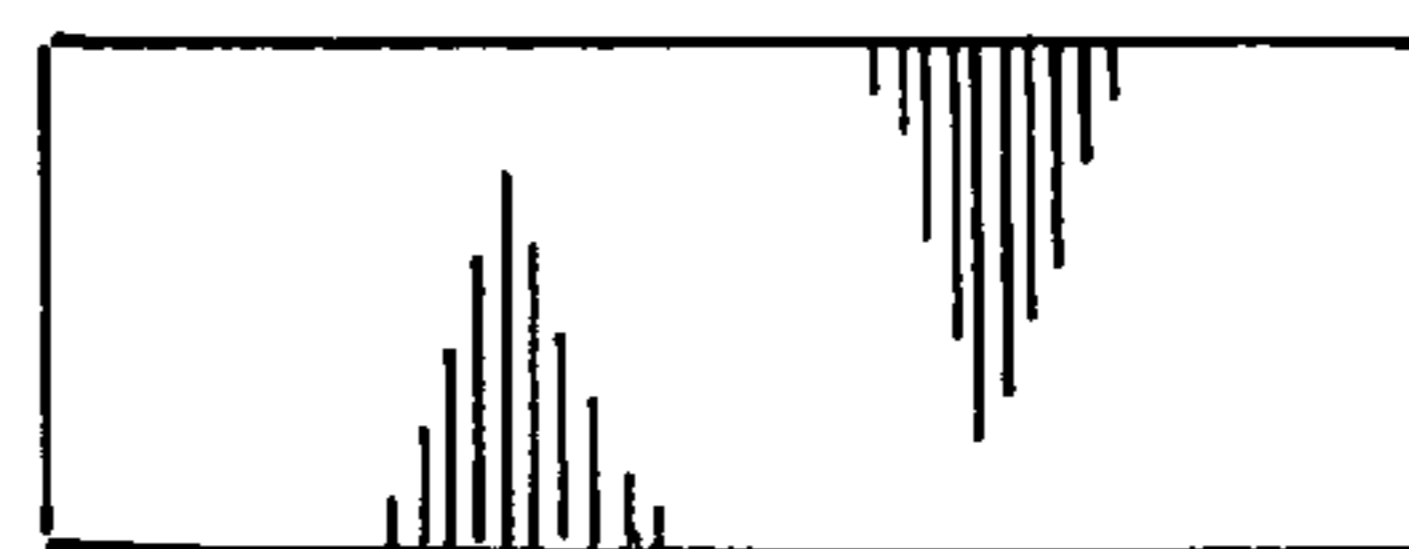


FIG. 3

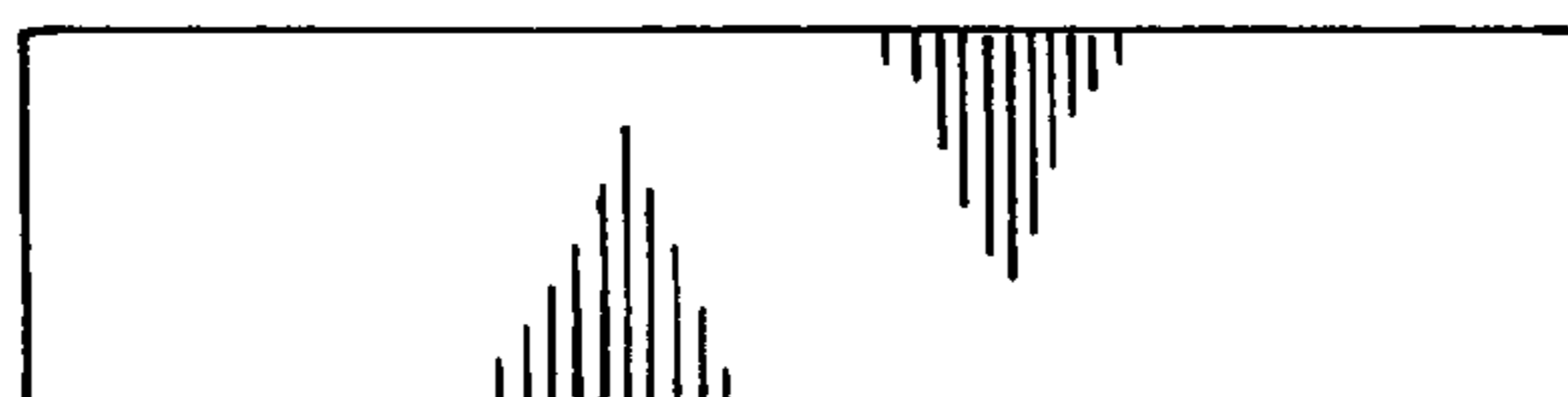


FIG. 4

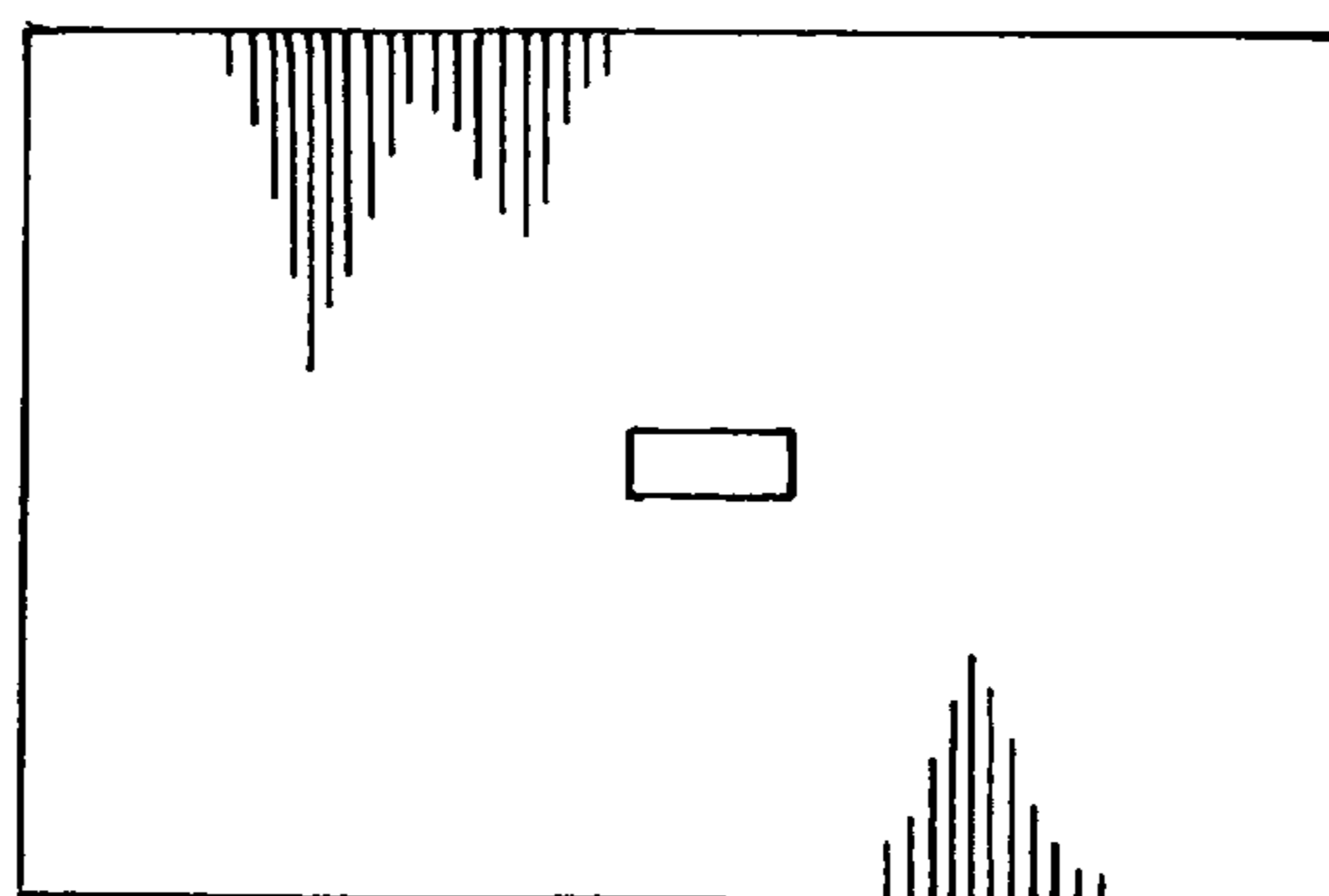


FIG. 5