



US00D680705S

(12) **United States Design Patent**
Engås et al.

(10) **Patent No.:** **US D680,705 S**
(45) **Date of Patent:** **** Apr. 23, 2013**

(54) **CRANE CONSTRUCTURE**

(76) Inventors: **Roar Engås**, Tennfjord (NO); **Øyvind Bjørshol**, Averøy (NO)

(**) Term: **14 Years**

(21) Appl. No.: **29/403,908**

(22) Filed: **Oct. 12, 2011**

5,152,659 A * 10/1992 Waka 414/722
D346,474 S * 4/1994 Lindgren D34/35
D606,725 S * 12/2009 Lavering D34/33

* cited by examiner

Primary Examiner — Cynthia Ramirez

(74) *Attorney, Agent, or Firm* — T. Benjamin Schroeder

(57) **CLAIM**

The ornamental design for a crane constructure, as shown and described.

DESCRIPTION

FIG. 1 shows a front elevational view of an embodiment for a crane constructure of the present invention.

FIG. 2 shows a right side elevational view of an embodiment of the present invention.

FIG. 3 shows a back elevational view of an embodiment of the present invention.

FIG. 4 shows a left side elevational view of an embodiment of the present invention.

FIG. 5 shows a top down elevational view of an embodiment of the present invention.

FIG. 6 shows a back elevational view of an embodiment of the present invention.

FIG. 7 shows a right side perspective view of an embodiment of the present invention; and,

FIG. 8 shows a top down right side perspective view of an embodiment of the present invention.

Related U.S. Application Data

(63) Continuation-in-part of application No. 29/366,730, filed on Jul. 29, 2010, now abandoned.

(51) **LOC (9) Cl.** **12-05**

(52) **U.S. Cl.**
USPC **D34/33**

(58) **Field of Classification Search** D34/36,
D34/33, 35; 212/260, 261, 180; 414/563;
280/402; D12/14

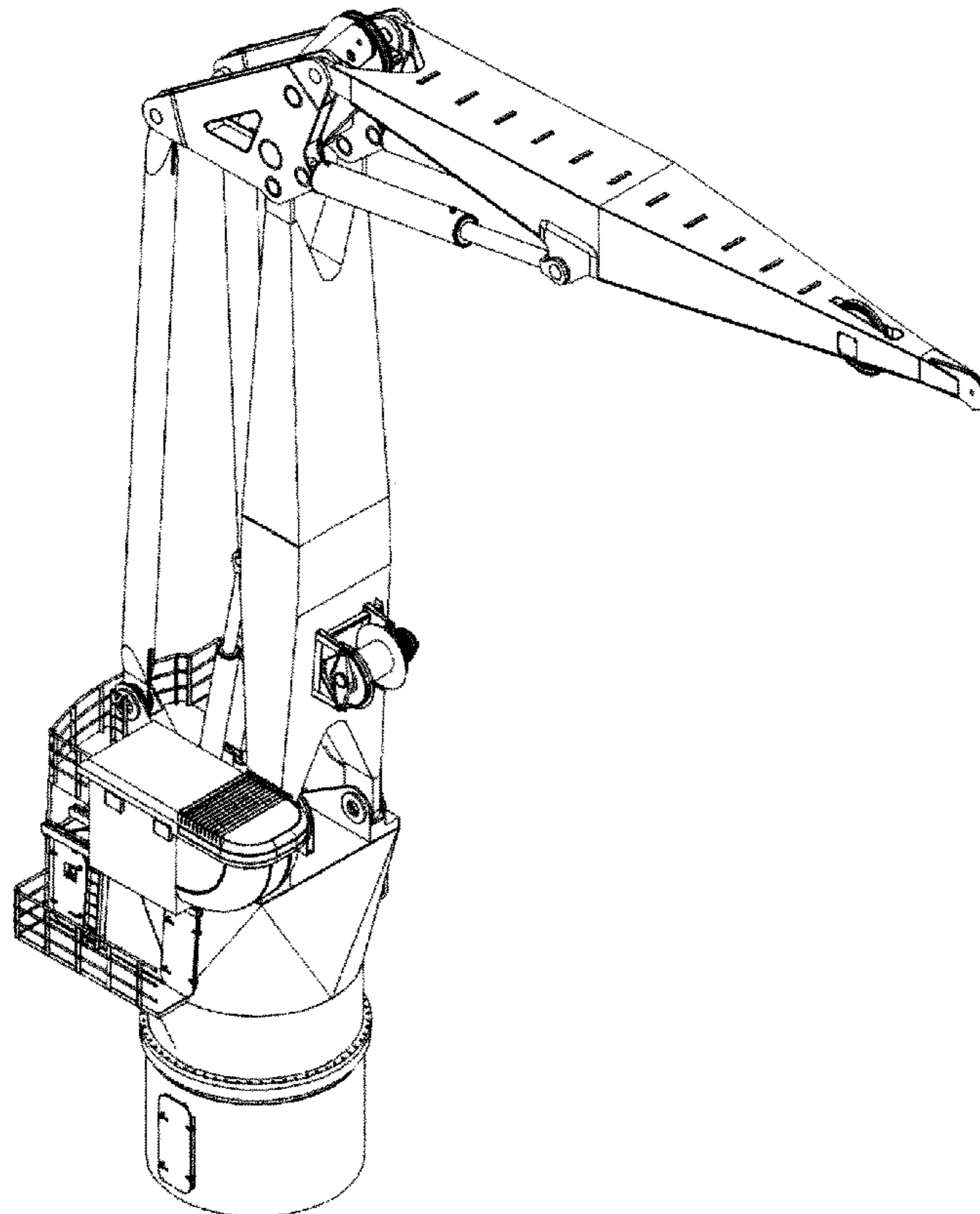
See application file for complete search history.

(56) **References Cited**

U.S. PATENT DOCUMENTS

D183,512 S * 9/1958 Fyock D34/36
D244,709 S * 6/1977 Sano D21/528
D301,127 S * 5/1989 Lindblom D12/14
5,140,929 A * 8/1992 Gaspard 212/270

1 Claim, 8 Drawing Sheets



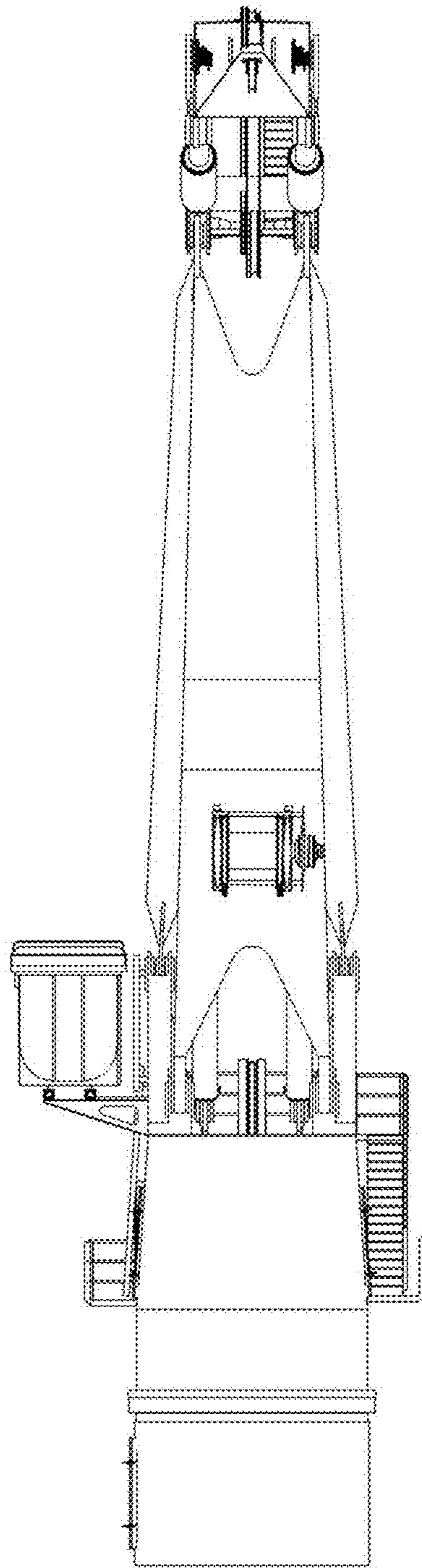


FIG. 1

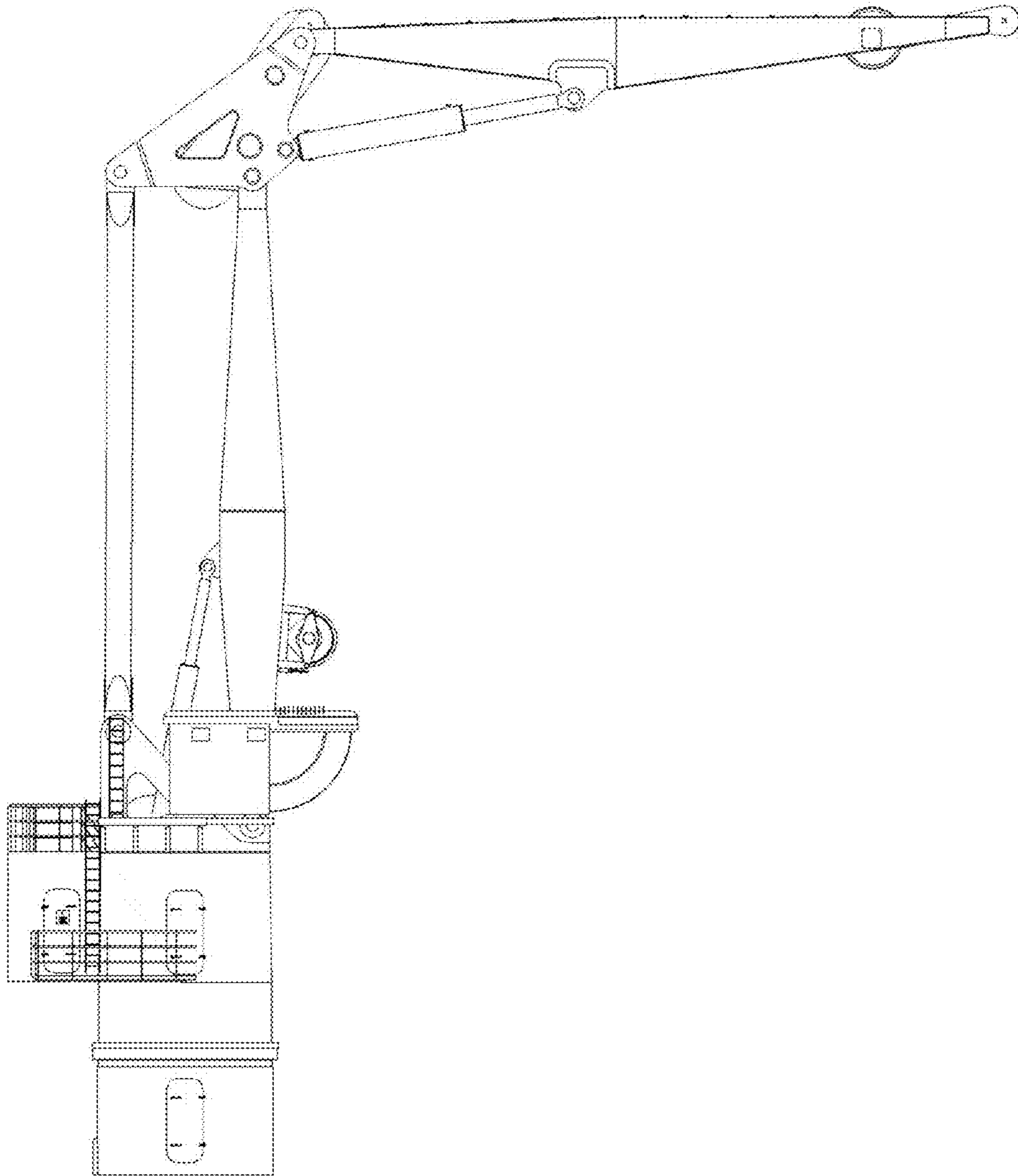


FIG. 2

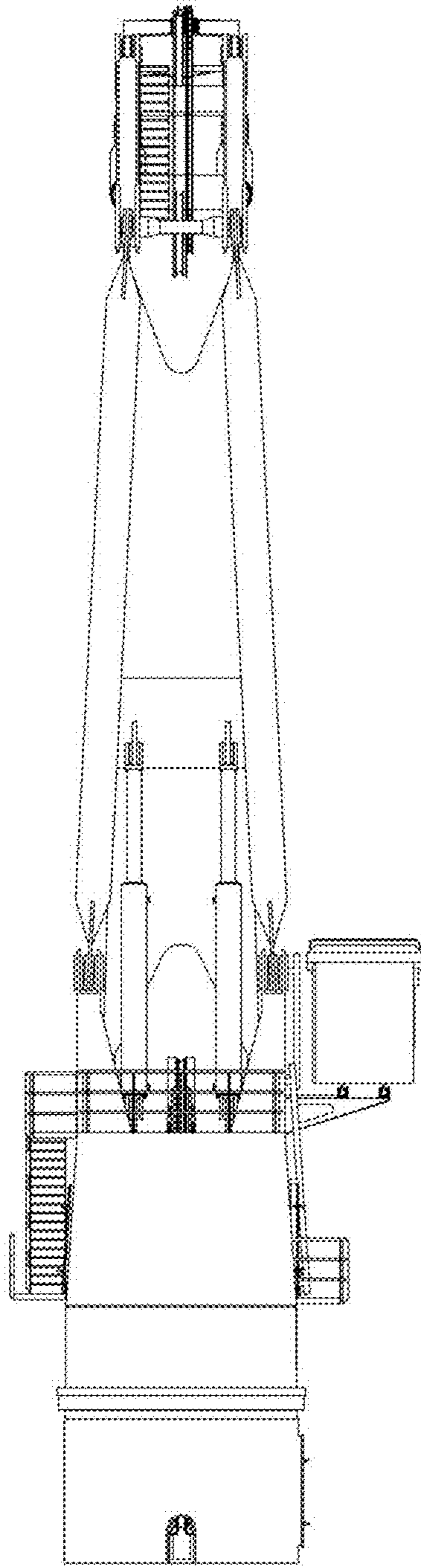


FIG. 3

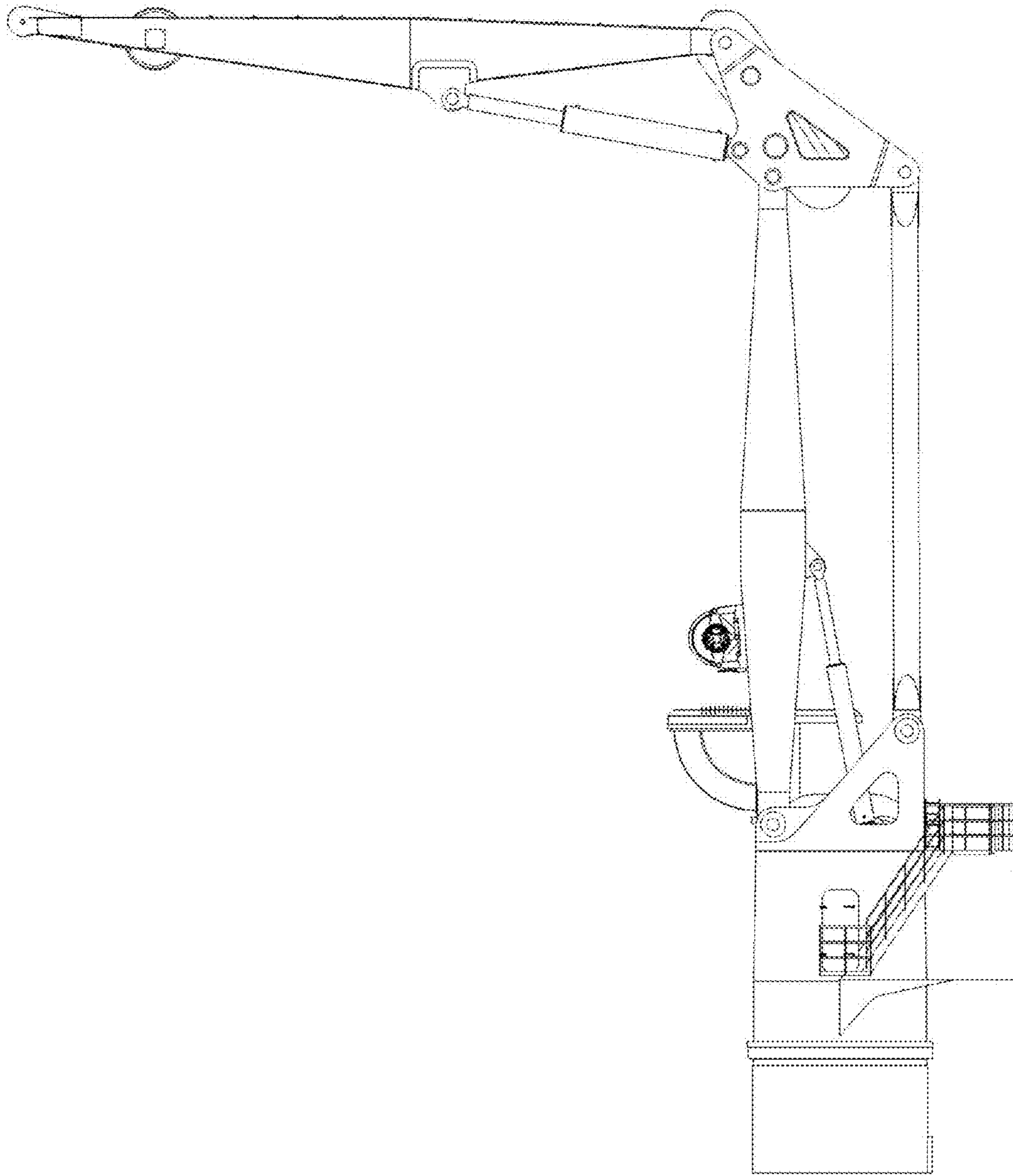


FIG. 4

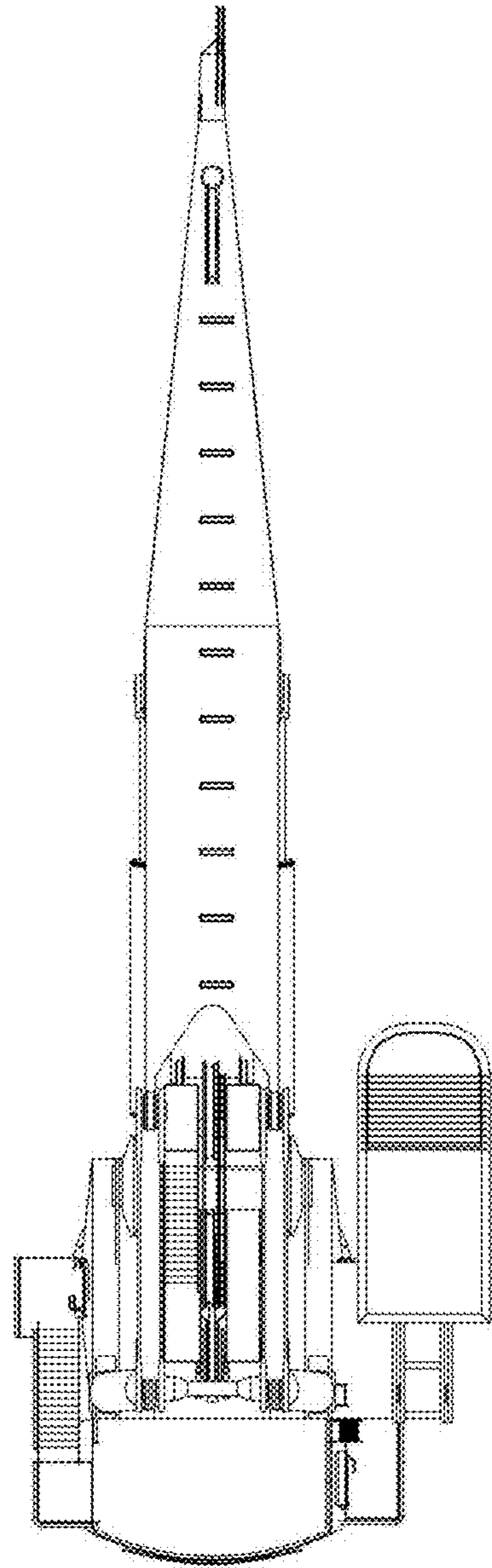


FIG. 5

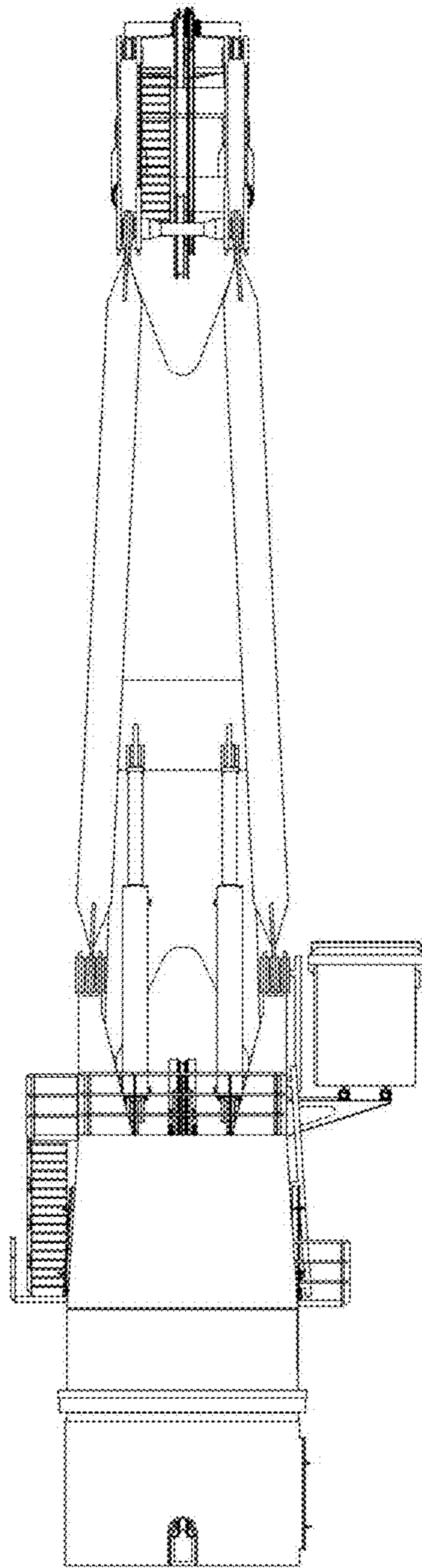


FIG. 6

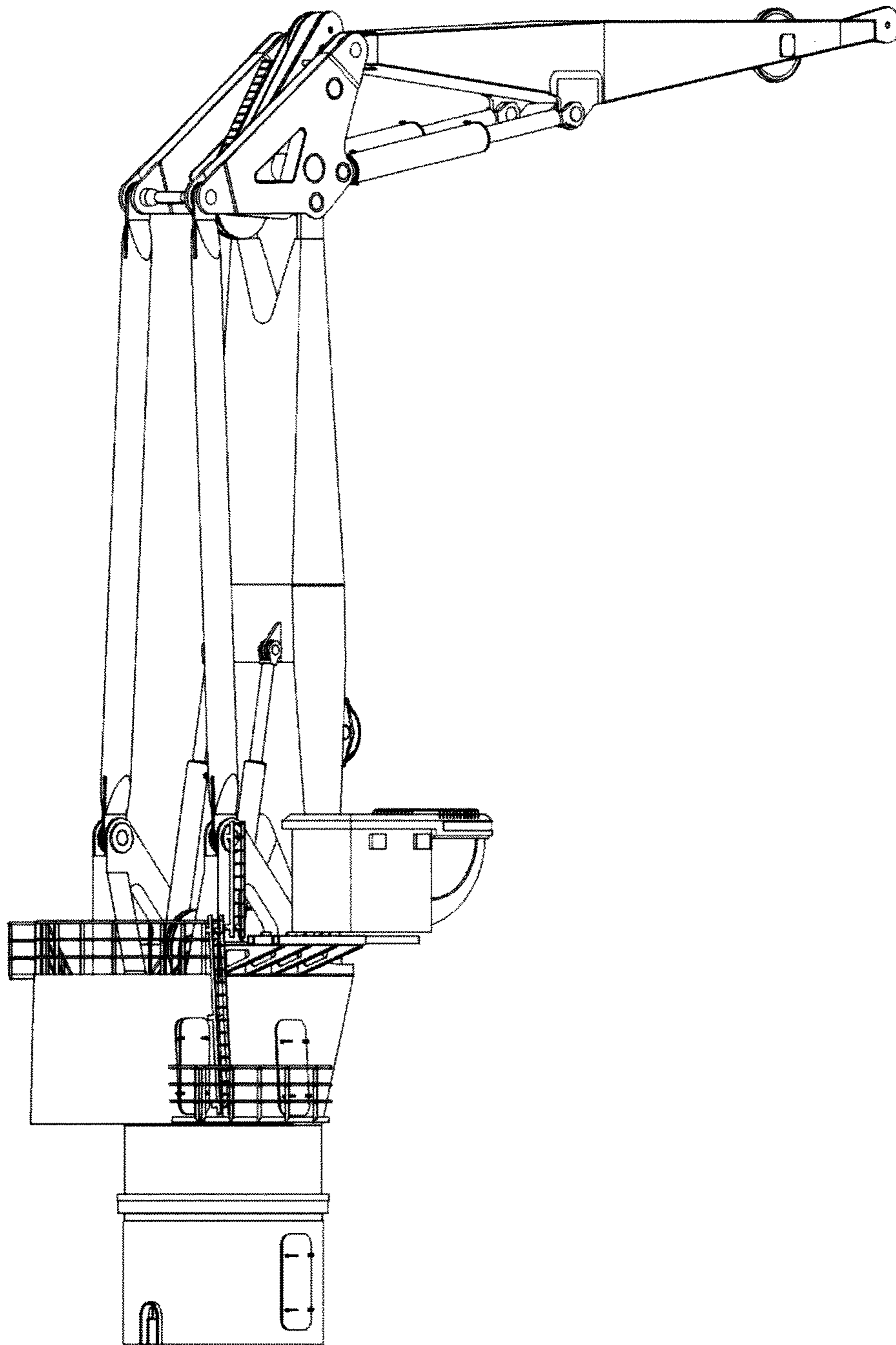


FIG. 7

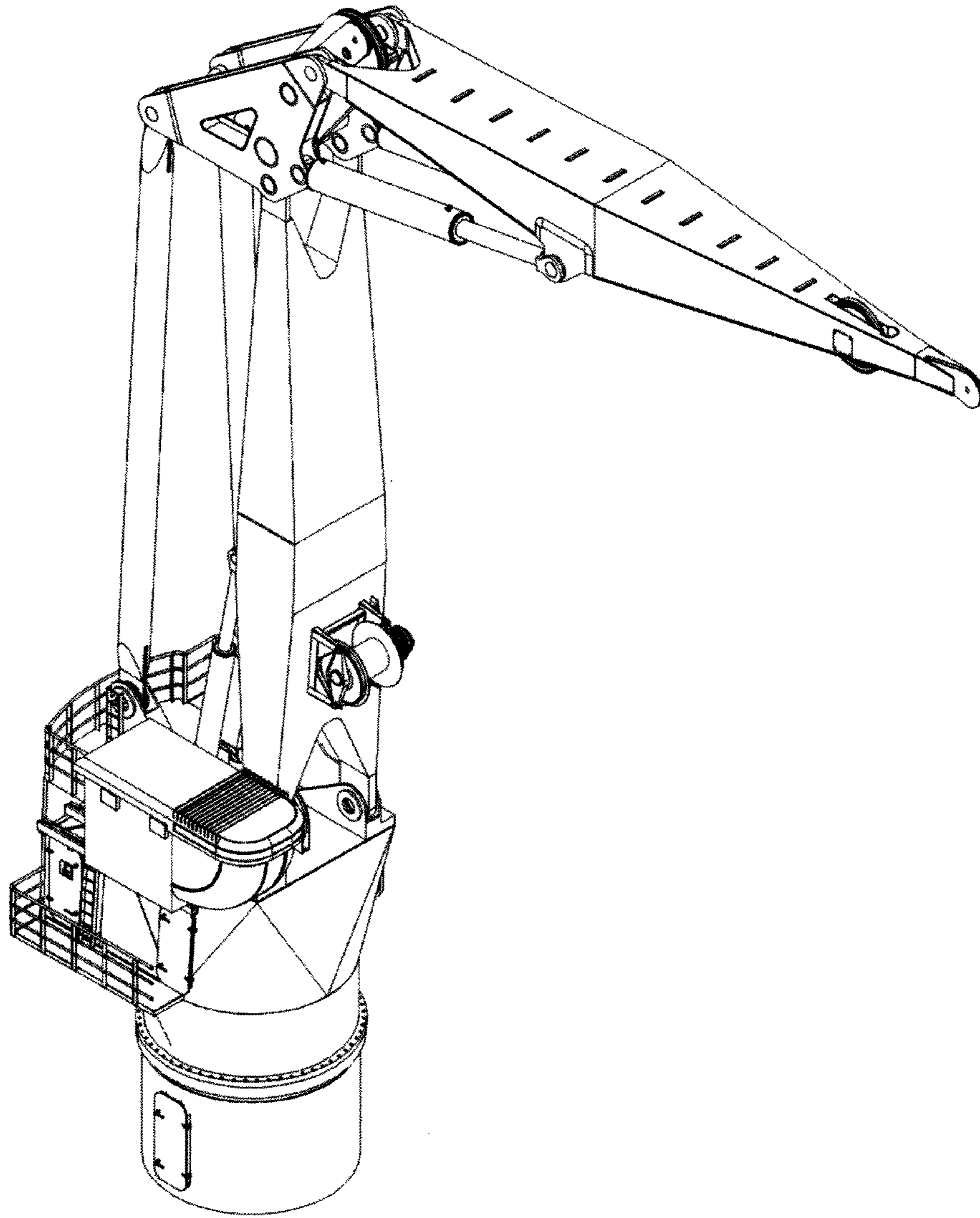


FIG. 8