



US00D680704S

(12) **United States Design Patent**
Walter

(10) **Patent No.:** **US D680,704 S**
(45) **Date of Patent:** **** Apr. 23, 2013**

(54) **CHILD SEAT FOR USE WITH A SHOPPING CART**

- (75) Inventor: **Ivor Michel Walter**, Boulder, CO (US)
- (73) Assignee: **AMSA, Inc.**, Boulder, CO (US)
- (**) Term: **14 Years**
- (21) Appl. No.: **29/428,389**
- (22) Filed: **Jul. 30, 2012**

Related U.S. Application Data

- (63) Continuation of application No. 29/420,885, filed on May 14, 2012, now Pat. No. Des. 667,603, which is a continuation of application No. 29/380,964, filed on Dec. 14, 2010, now Pat. No. Des. 660,542.
- (51) **LOC (9) Cl.** **12-02**
- (52) **U.S. Cl.**
USPC **D34/27**
- (58) **Field of Classification Search** D34/12-27;
280/33.991, 33.992, 47.34, 79.11, 79.2, 33.997,
280/33.998, 33.996, 33.995, 47.35, 651,
280/659, 79.3; 297/256.17, 473; 40/308,
40/395

See application file for complete search history.

(56) **References Cited**

U.S. PATENT DOCUMENTS

- D178,445 S * 7/1956 Young D34/27
- 2,964,326 A * 12/1960 Schray 280/33.993
- D246,301 S * 11/1977 Trubiano D12/129
- 4,065,142 A 12/1977 Rehrig
- 4,125,270 A * 11/1978 Trubiano 280/33.993

(Continued)

OTHER PUBLICATIONS

Technibilt 5640 Scan of website [http://www.technibilt.com/carts/detail.php?id=28] showing prior art cart manufactured by Techibilt.

(Continued)

Primary Examiner — Cynthia Ramirez

(74) *Attorney, Agent, or Firm* — Margaret Polson; Oppedahl Patent Law Firm LLC

(57) **CLAIM**

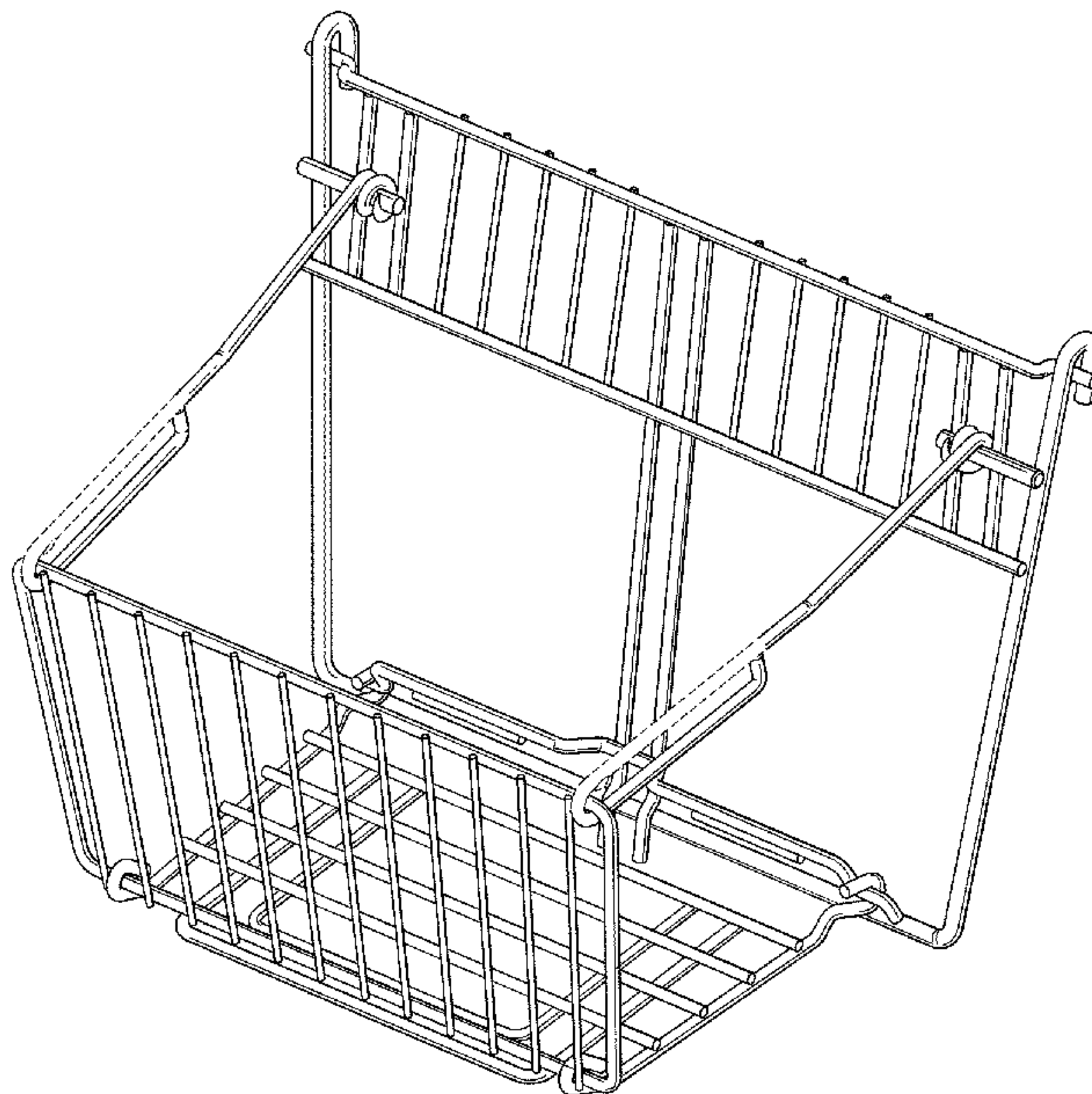
The ornamental design for a child seat for use with a shopping cart, as shown and described.

DESCRIPTION

FIG. 1 is a front perspective view of my new design for a child seat for use with a shopping cart.
 FIG. 2 is a side elevation view of the right side, the left side being a mirror images thereof, of FIG. 1
 FIG. 3 is a top plan view of FIG. 1.
 FIG. 4 is a bottom plan view of FIG. 1.
 FIG. 5 is a front side elevation view of FIG. 1.
 FIG. 6 is back side elevation view of FIG. 1.
 FIG. 7 is a side elevation view along line 7-7 of FIG. 5.
 FIG. 8 is a close up of the locking bar of FIG. 7.
 FIG. 9 is a side elevation view of the left side, the right side being a mirror image thereof, of the child seat in the folded position it is in when the carts are nested together.
 FIG. 10 is a bottom plan view of FIG. 9; and,
 FIG. 11 is a side elevation view of the left sides, the right side being a mirror image thereof, of the seat with the seat back folded down.

The features shown in broken lines in the drawing depict environmental subject matter only and form on part of the claimed design.

1 Claim, 5 Drawing Sheets



US D680,704 S

Page 2

U.S. PATENT DOCUMENTS

4,176,849 A 12/1979 Rehrig
4,643,280 A * 2/1987 Hensley 190/11
D288,619 S * 3/1987 Trubiano D34/27
4,742,943 A 5/1988 Trubiano
D314,269 S * 1/1991 Trubiano D34/19
5,211,410 A 5/1993 Trubiano
5,265,893 A * 11/1993 Ettlin 280/33.992
5,348,323 A 9/1994 Trubiano
5,368,318 A 11/1994 Rehrig et al.
5,401,042 A * 3/1995 Ruger 280/33.997
5,435,582 A 7/1995 Davidson
D363,589 S * 10/1995 Lafleur et al. D34/21
5,507,507 A 4/1996 Davidson
5,702,114 A 12/1997 Downing et al.
5,961,133 A 10/1999 Perry
D443,968 S * 6/2001 Porter D34/27
D445,231 S * 7/2001 Porter D34/27
D463,647 S 9/2002 Deal et al.
D493,594 S 7/2004 Prather et al.
7,237,782 B2 * 7/2007 Tucker et al. 280/33.991
D550,423 S 9/2007 Splain et al.
D584,023 S 12/2008 Walter
D588,774 S * 3/2009 Peota et al. D34/27
D639,521 S 6/2011 Walter
D644,393 S 8/2011 Walter
D644,809 S 9/2011 Walter
D645,222 S 9/2011 Walter
D645,631 S 9/2011 Walter
D648,914 S 11/2011 Walter

D648,915 S 11/2011 Walter
D660,542 S * 5/2012 Walter D34/27
D667,603 S * 9/2012 Walter D34/27
2001/0022436 A1 9/2001 Simard
2003/0151219 A1 8/2003 Simard
2004/0051263 A1 3/2004 Prather et al.
2006/0273536 A1 * 12/2006 Ondrasik 280/33.991
2008/0265534 A1 * 10/2008 Ondrasik 280/33.991
2009/0261545 A1 * 10/2009 Jones 280/33.994
2010/0078902 A1 * 4/2010 Lee et al. 280/33.992

OTHER PUBLICATIONS

U.S. Appl. No. 29/410,149, filed Jan. 4, 2012; Inventor: Ivor Michel Walter.

U.S. Appl. No. 29/417,407, filed Apr. 3, 2012; Inventor: Ivor Michel Walter.

U.S. Appl. No. 13/458,438, filed Apr. 27, 2012; Inventor: Ivor Michel Walter.

U.S. Appl. No. 29/419,452, filed Apr. 27, 2012; Inventor: Ivor Michel Walter.

VersaCart Systems Child Seat for EXpress Cart (old version) Drawing and photos of previous version of a child seat for use in a shopping cart. This version of the child seat was publicly displayed in Apr. 2007 (4 pages).

VersaCart Systems Child Seat for EXpress Cart (version 1) Photos of previous version of a child seat for use in a shopping cart. This version of the child seat was publicly displayed in Oct. 2009 (3 pages).

* cited by examiner

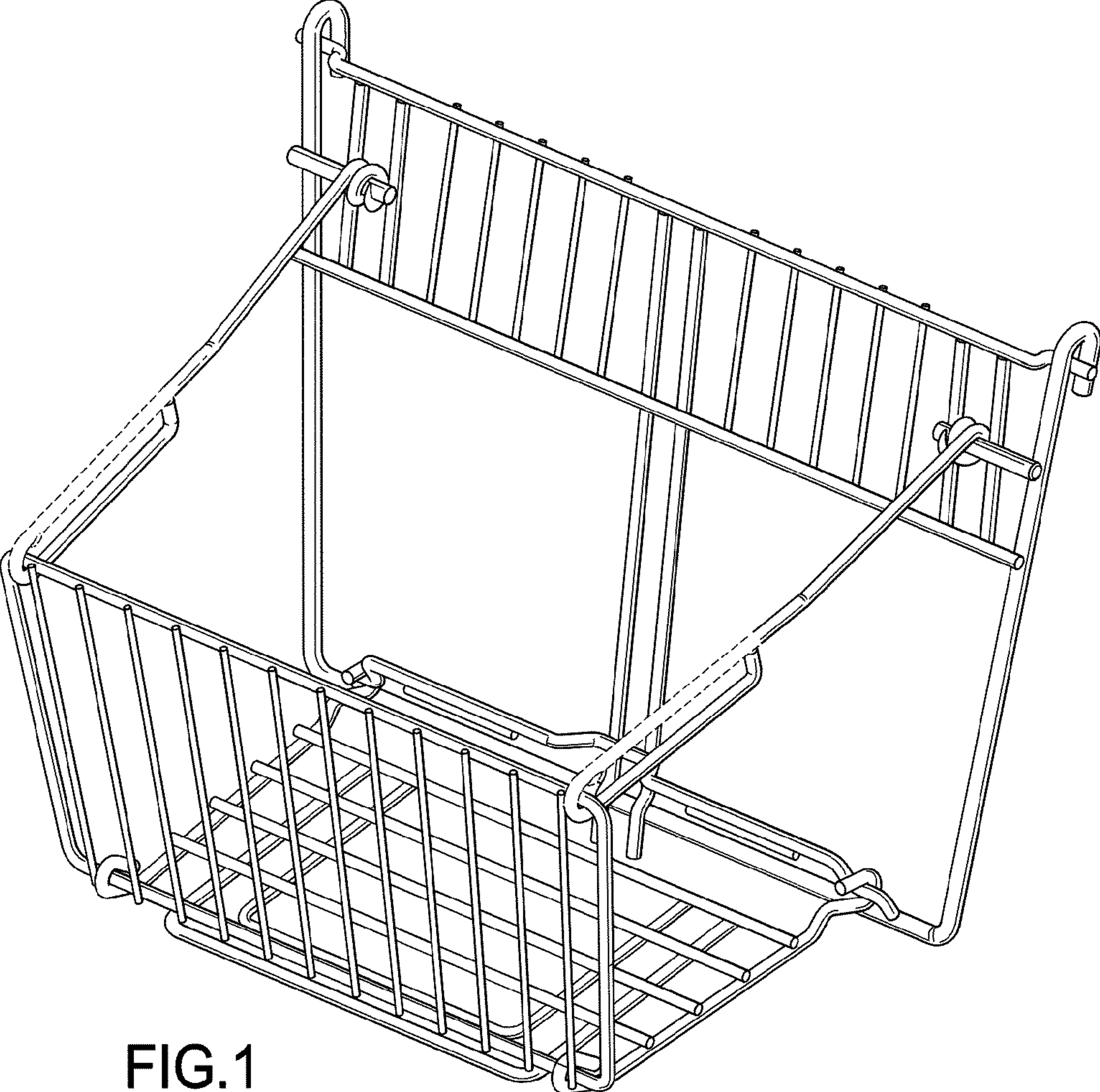


FIG.1

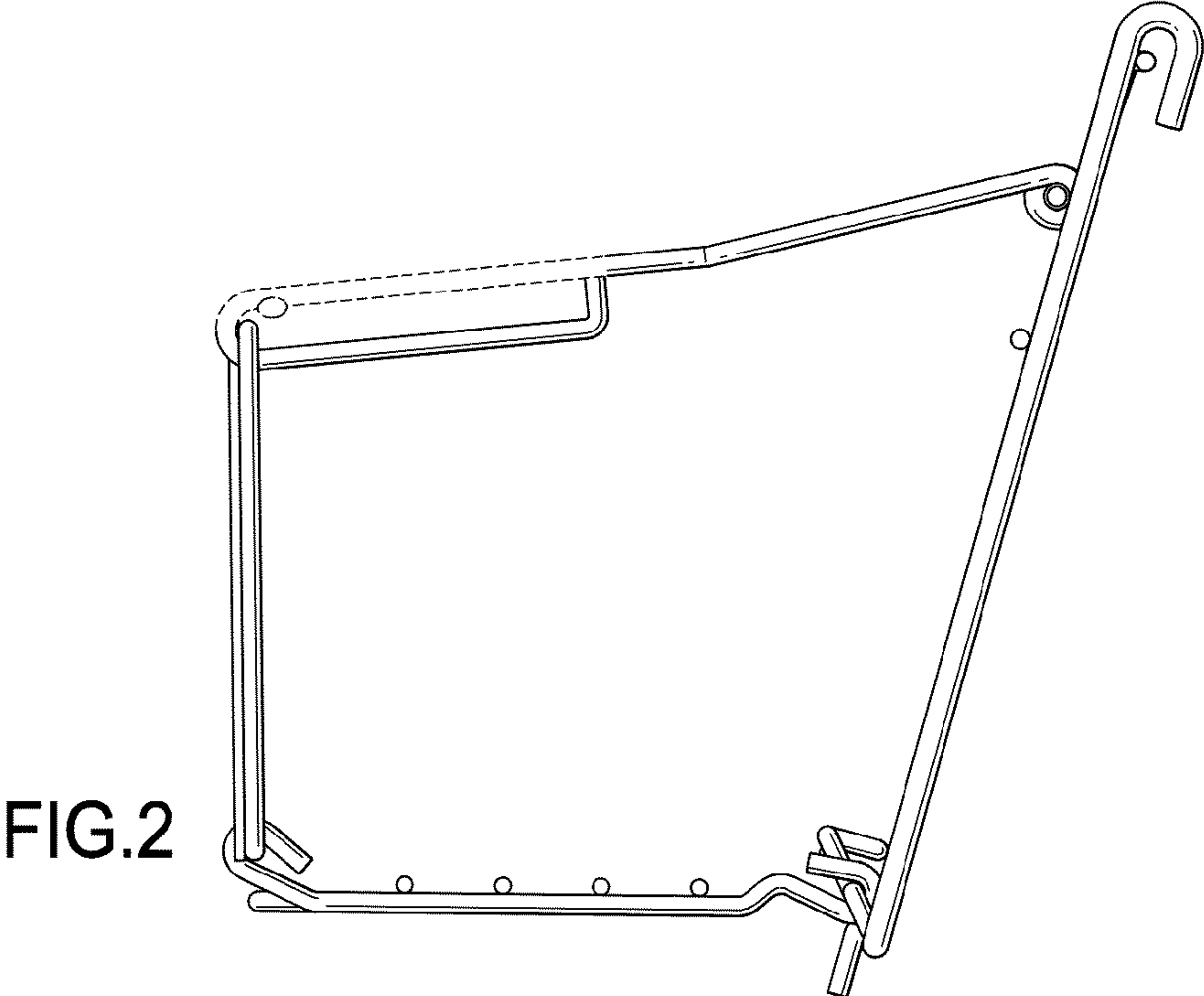


FIG.2

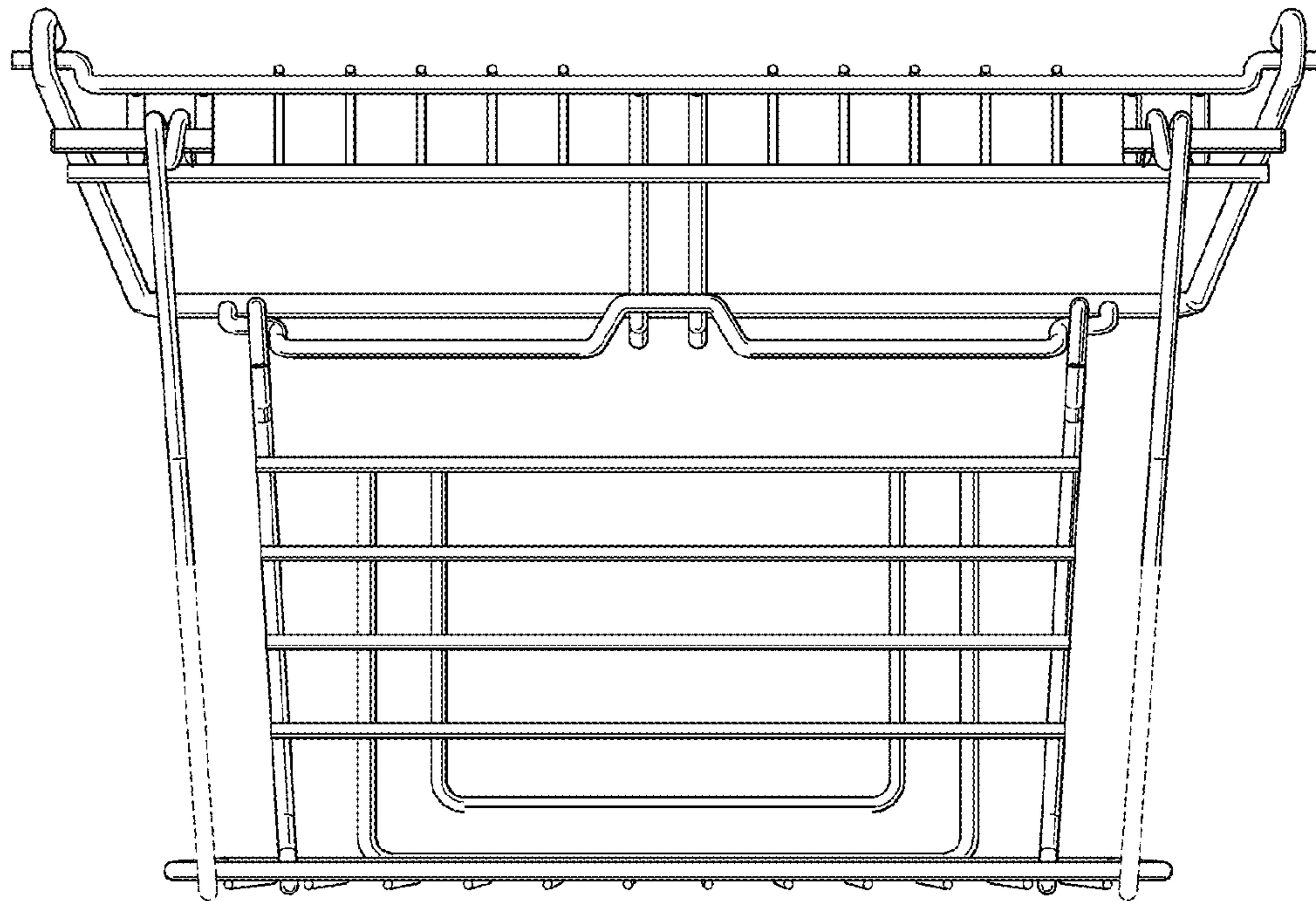


FIG.3

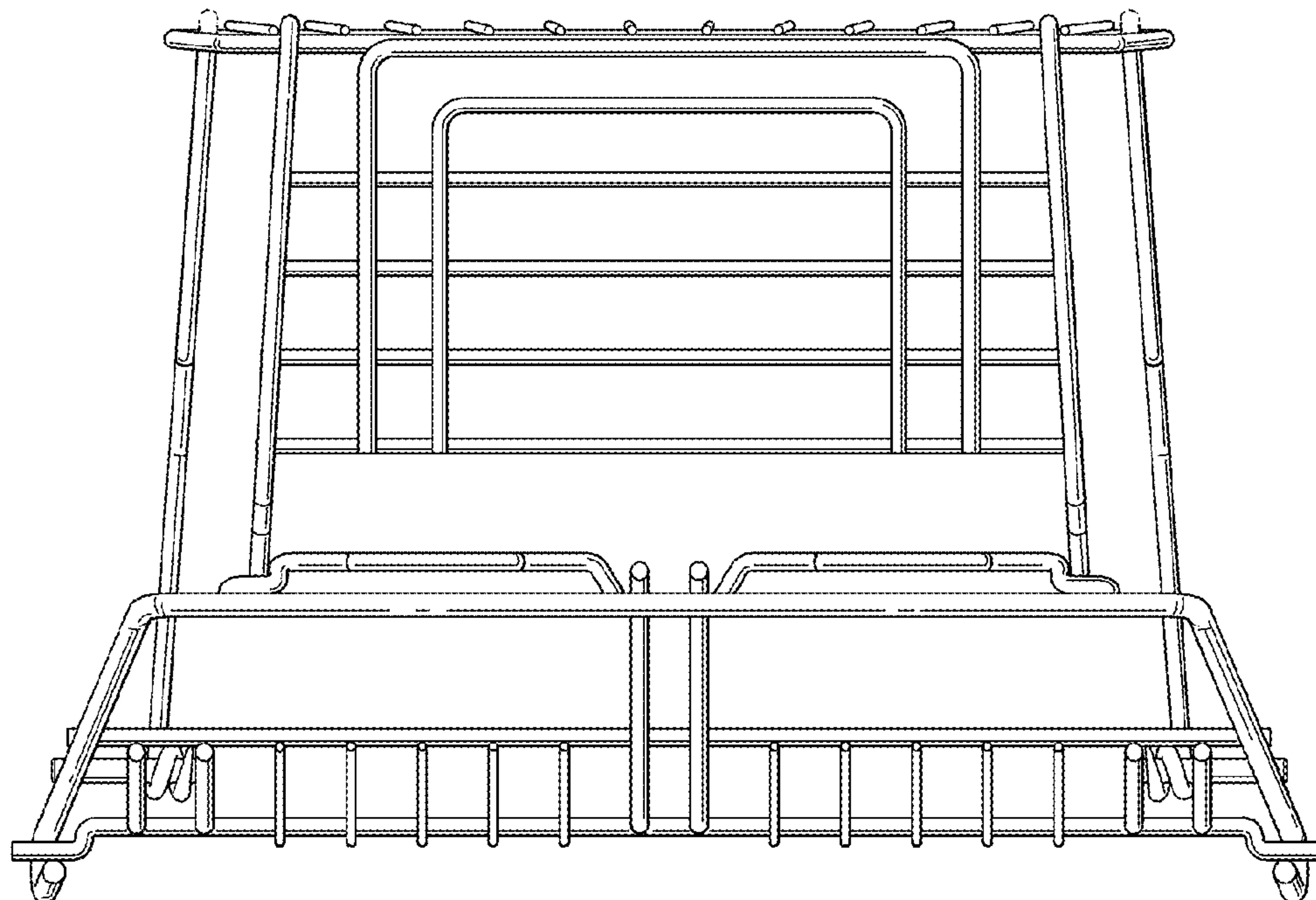


FIG.4

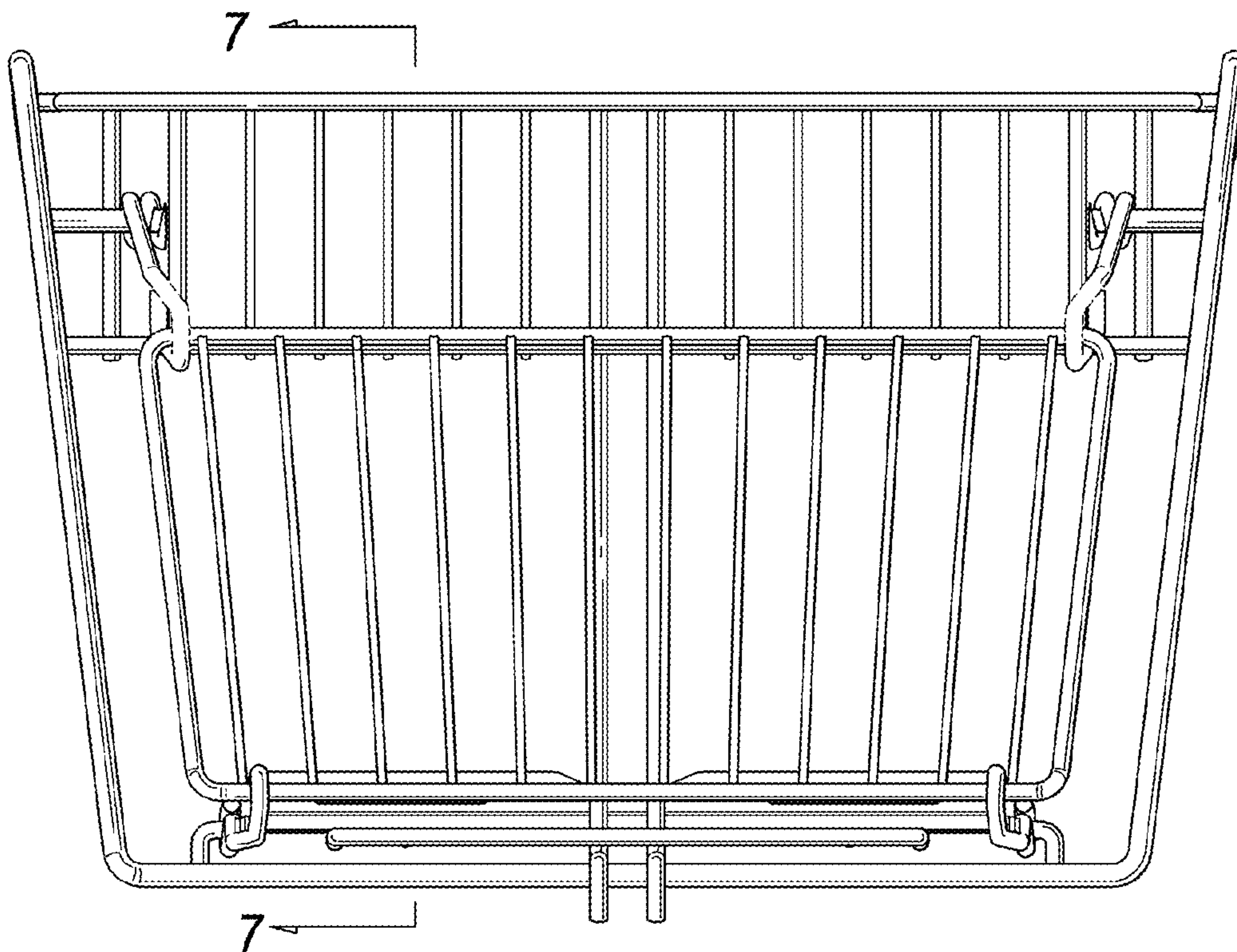


FIG. 5

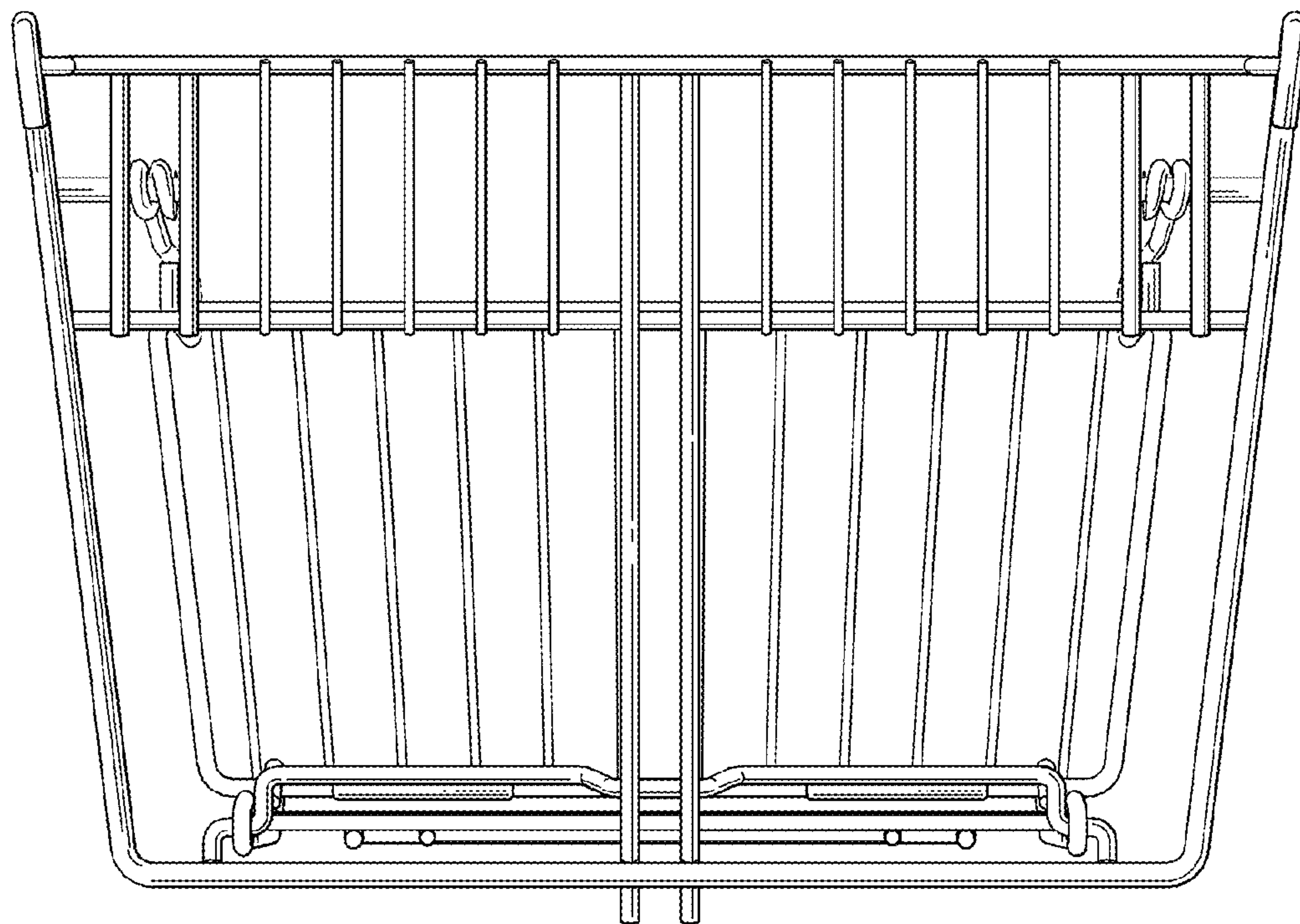
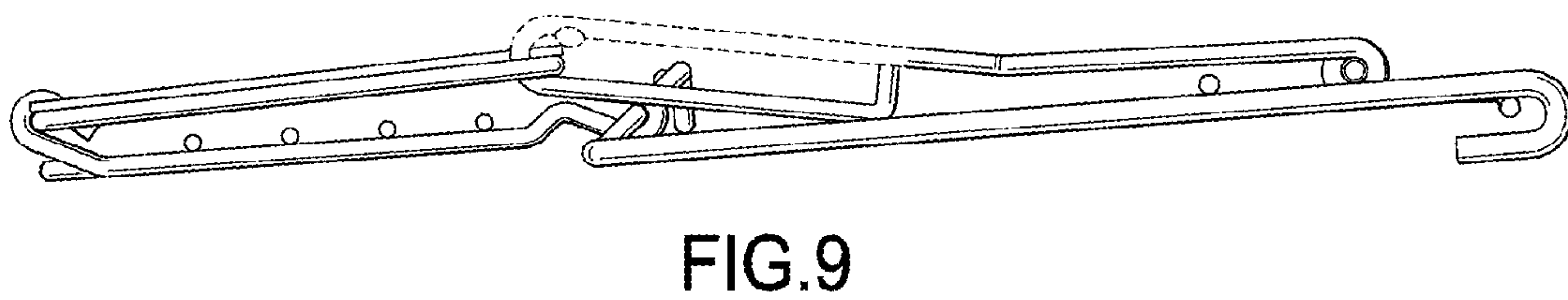
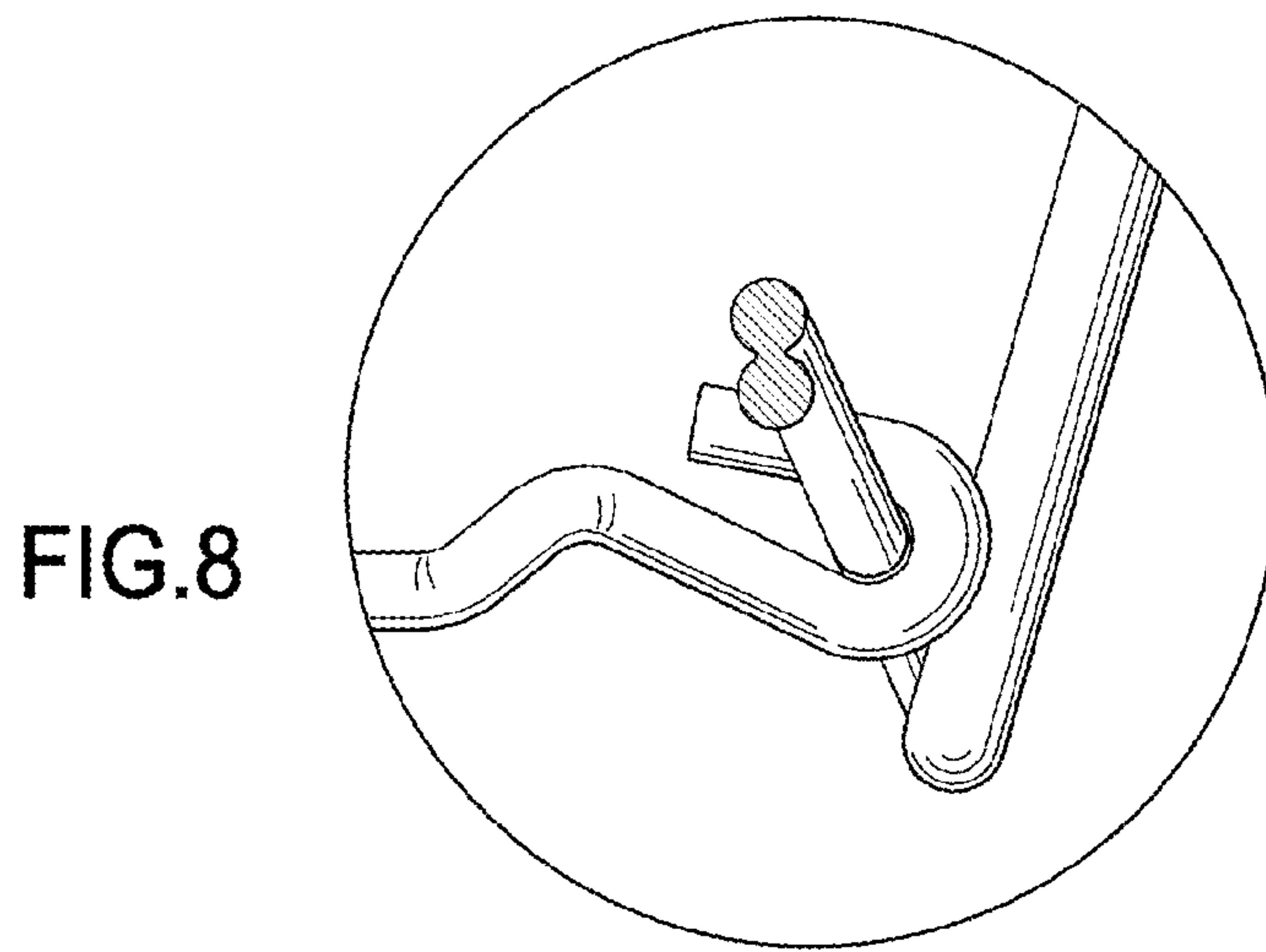
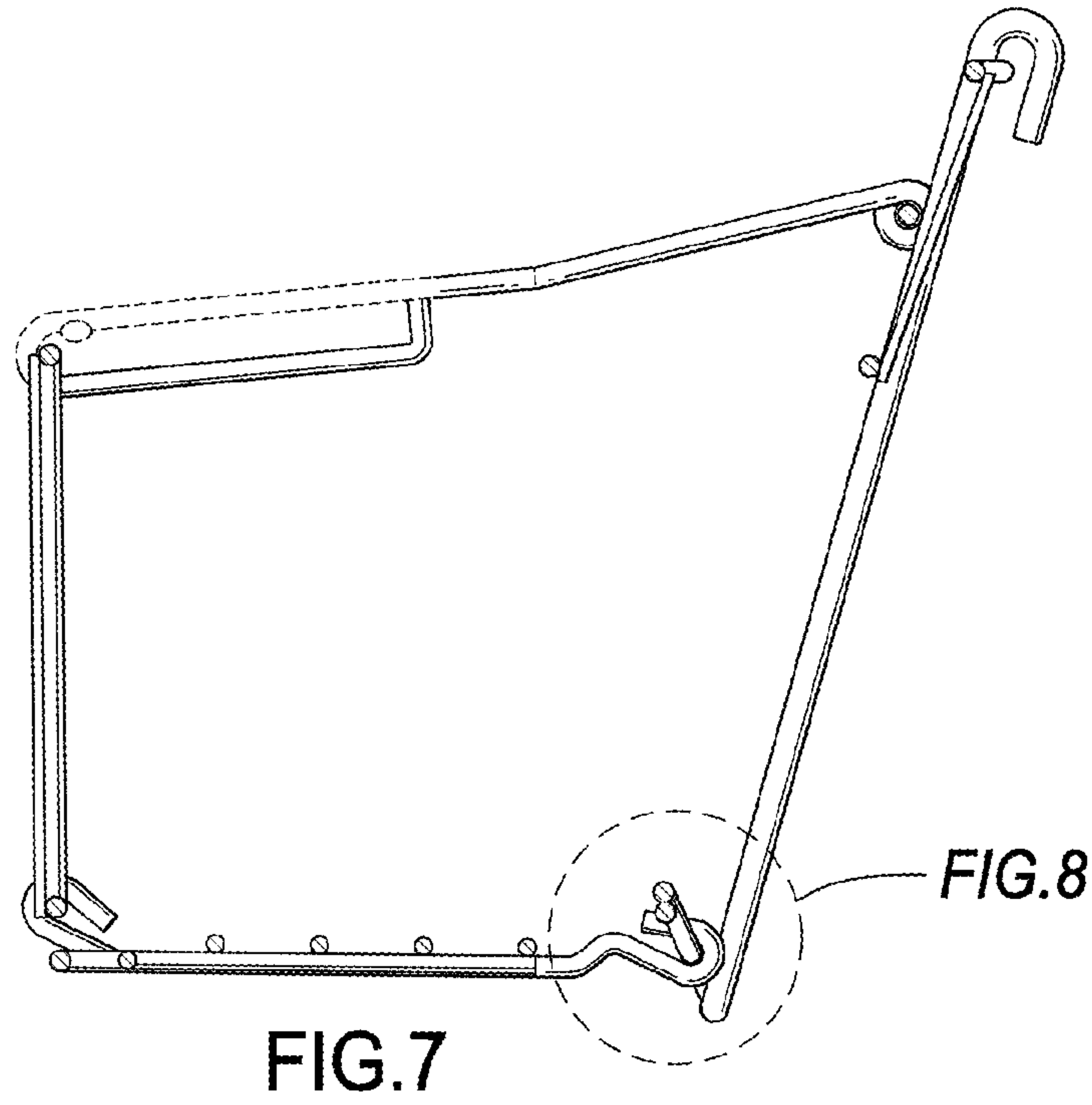


FIG. 6



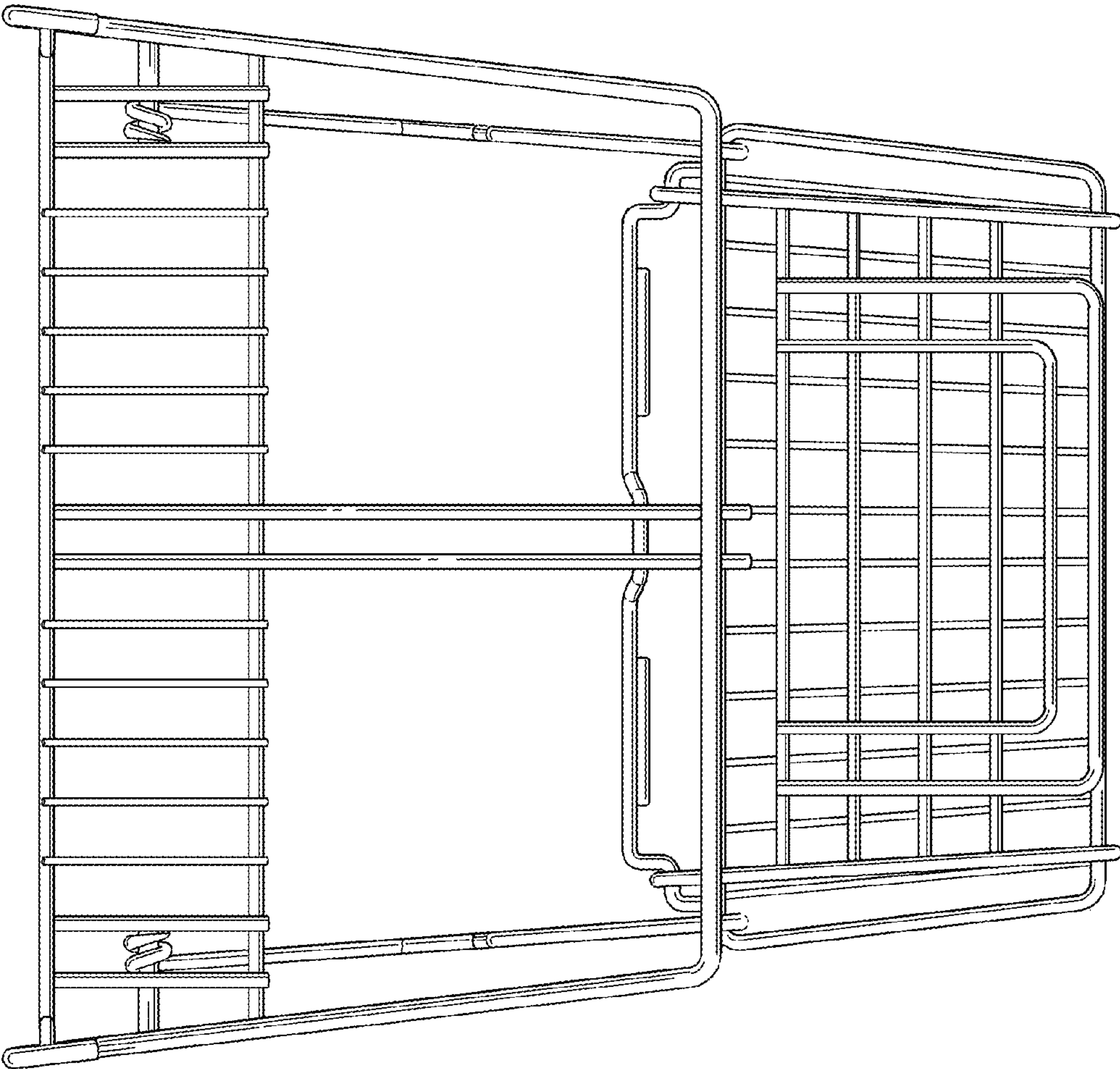


FIG. 10

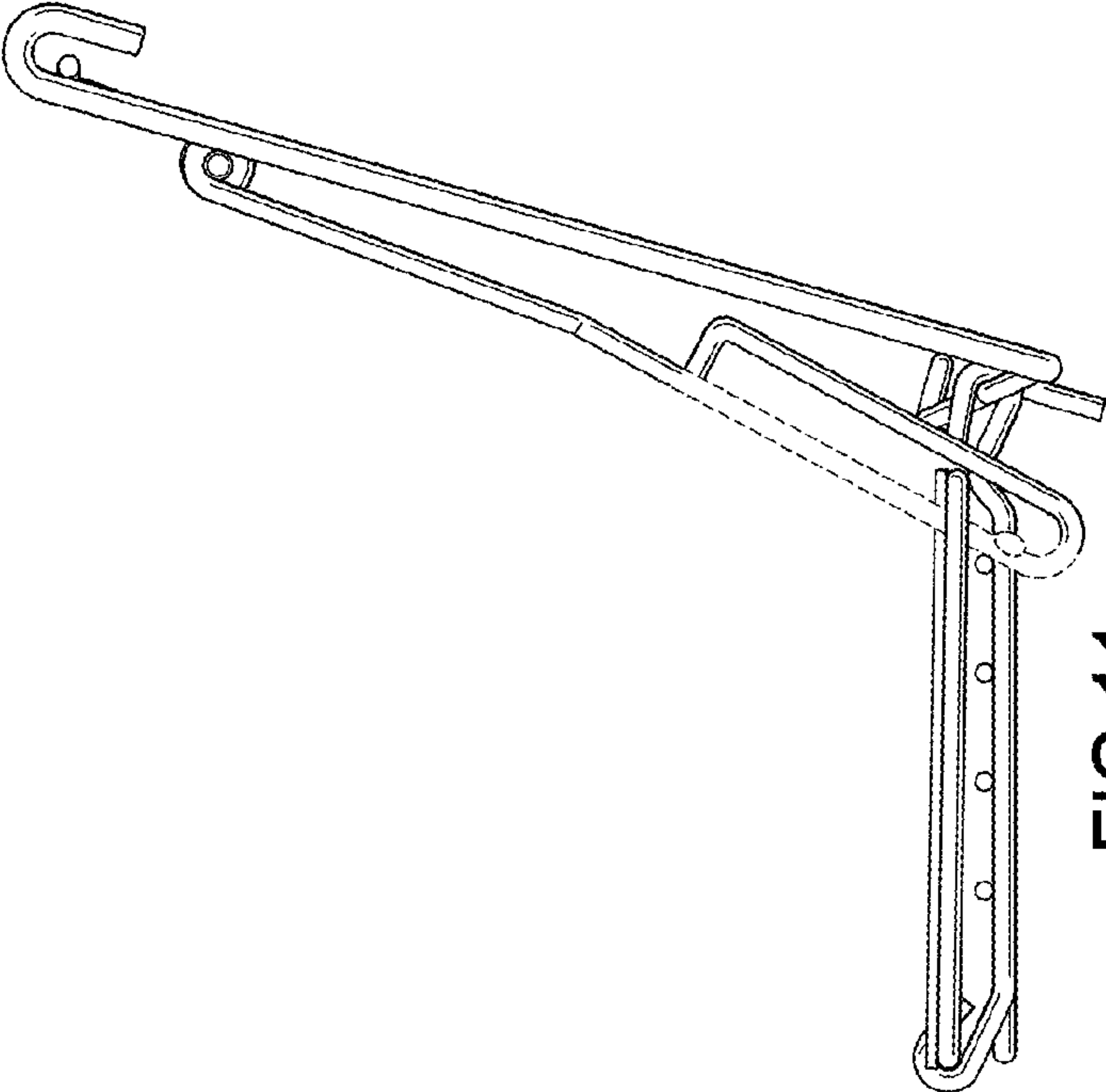


FIG. 11

UNITED STATES PATENT AND TRADEMARK OFFICE
CERTIFICATE OF CORRECTION

PATENT NO. : D680,704 S
APPLICATION NO. : 29/428389
DATED : April 23, 2013
INVENTOR(S) : Ivor Michel Walter et al.

Page 1 of 1

It is certified that error appears in the above-identified patent and that said Letters Patent is hereby corrected as shown below:

Title Page, item (75), should read,

Ivor Michel Walter, Boulder, CO (US);
Ning Siu Sin, Hong Kong (CN)

Signed and Sealed this
Twenty-eighth Day of June, 2016



Michelle K. Lee
Director of the United States Patent and Trademark Office

UNITED STATES PATENT AND TRADEMARK OFFICE
CERTIFICATE OF CORRECTION

PATENT NO. : D680,704 S
APPLICATION NO. : 29/428389
DATED : April 23, 2013
INVENTOR(S) : Ivor Michel Walter et al.

Page 1 of 1

It is certified that error appears in the above-identified patent and that said Letters Patent is hereby corrected as shown below:

On the Title Page

Item (12), should read:

Walter et al.

Item (75), should read:

Ivor Michel Walter, Boulder, CO (US);

Ning Siu Sin, Hong Kong (CN)

This certificate supersedes the Certificate of Correction issued June 28, 2016.

Signed and Sealed this
Eighteenth Day of July, 2017



Joseph Matal
*Performing the Functions and Duties of the
Under Secretary of Commerce for Intellectual Property and
Director of the United States Patent and Trademark Office*