



US00D680703S

(12) **United States Design Patent**
Thomas et al.

(10) **Patent No.:** **US D680,703 S**
(45) **Date of Patent:** **** Apr. 23, 2013**

(54) **COMBINED COVER AND PAN FOR A RECEPTACLE**

(75) Inventors: **David Scott Thomas**, Wolfeboro, NH (US); **Glenn Snider**, Lexington, NC (US)

(73) Assignee: **David Scott Thomas**, Wolfeboro, NH (US)

(**) Term: **14 Years**

(21) Appl. No.: **29/423,254**

(22) Filed: **May 30, 2012**

(51) **LOC (9) Cl.** **09-09**

(52) **U.S. Cl.**
USPC **D34/10**

(58) **Field of Classification Search** D34/1-11;
248/95, 97, 98, 99, 100, 101; 220/908.3
See application file for complete search history.

(56) **References Cited**

U.S. PATENT DOCUMENTS

1,170,797	A	2/1916	Burroughs	
3,156,941	A	11/1964	Tomaiuolo	
3,390,804	A	7/1968	Morgan	
4,312,531	A	1/1982	Cross	
4,550,440	A	10/1985	Rico	
4,600,113	A	7/1986	DeMars	
D296,142	S *	6/1988	Adamson	D34/7
4,795,046	A	1/1989	Rath	
4,802,258	A	2/1989	Jensen	
4,832,291	A *	5/1989	Nelson et al.	248/99
4,832,292	A *	5/1989	Beckham	248/99
4,890,733	A	1/1990	Anderson	
4,907,710	A	3/1990	Bulkens	
5,172,823	A	12/1992	Moetteli	
5,222,536	A	6/1993	Hodgdon et al.	
5,407,089	A	4/1995	Bird et al.	
D358,915	S *	5/1995	O'Donoghue	D32/54
D391,717	S *	3/1998	Stein	D32/54

6,131,759	A	10/2000	Young	
D439,718	S *	3/2001	Thorpe	D34/5
D445,550	S *	7/2001	Wigren et al.	D34/6
6,431,503	B1 *	8/2002	Horan	248/101
6,915,921	B2	7/2005	Mensch	
6,974,167	B2	12/2005	Springs, II	
7,131,552	B2	11/2006	Simonson	
D533,701	S	12/2006	Payton et al.	
D537,597	S	2/2007	Bolden	
7,192,037	B1	3/2007	Pena	

(Continued)

OTHER PUBLICATIONS

U.S. Appl. No. 29/408,306, filed Dec. 9, 2011; entitled Collection and Cover Structure for a Receptacle.

(Continued)

Primary Examiner — Cynthia Ramirez

(74) *Attorney, Agent, or Firm* — Stevens & Showalter LLP

(57) **CLAIM**

The ornamental design for a combined cover and pan for a receptacle, as shown and described.

DESCRIPTION

FIG. 1 is a perspective view of a combined cover and pan for a receptacle, illustrated in use on a receptacle, showing our new design;

FIG. 2 is a front elevational view thereof;

FIG. 3 is a rear elevational view thereof;

FIG. 4 is a right-hand side view thereof, the left-hand side view being a mirror image thereof;

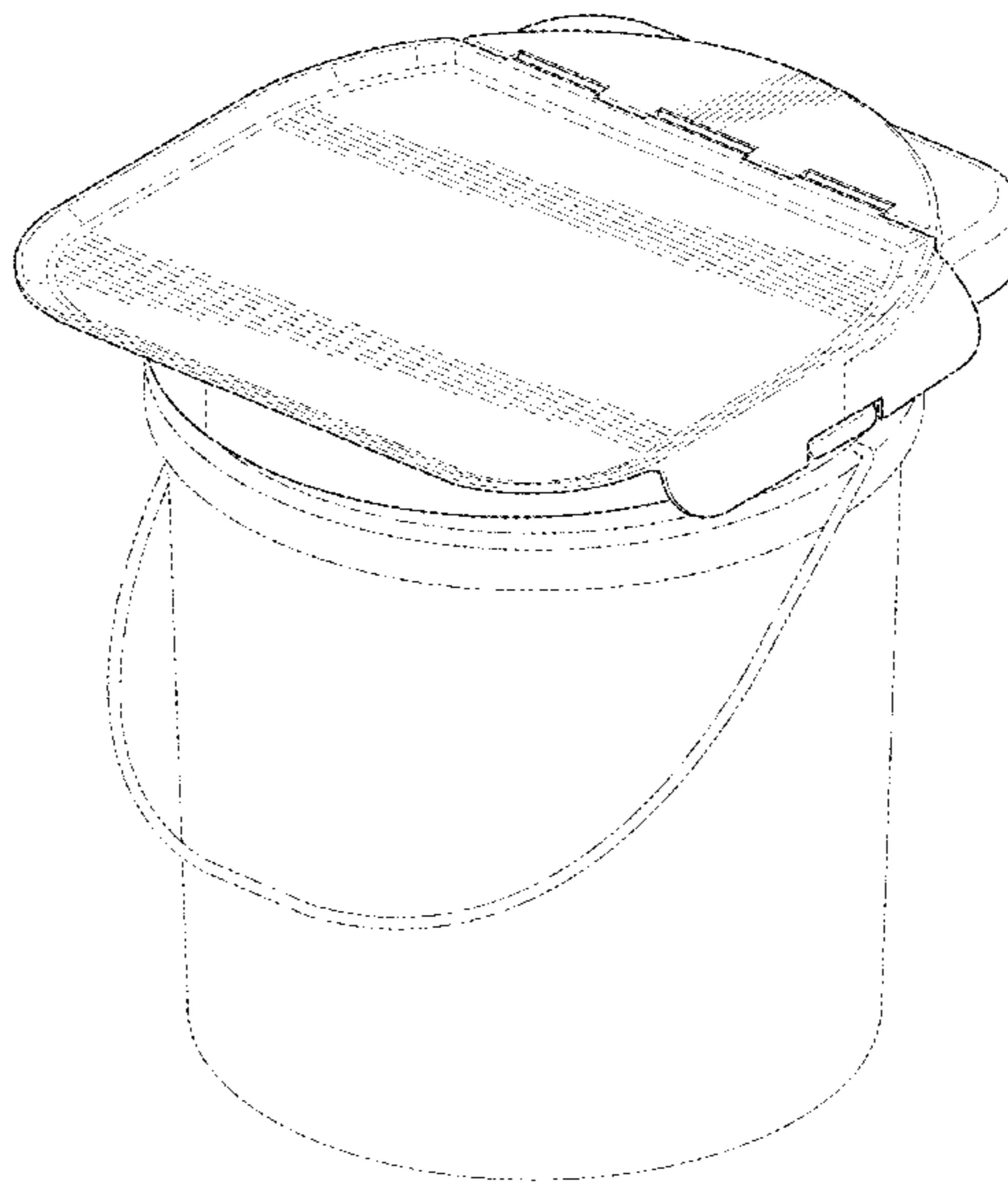
FIG. 5 is a top plan view thereof;

FIG. 6 is a bottom plan view thereof; and,

FIG. 7 is a perspective view thereof, illustrated in use on a receptacle, with a pan thereof in an open configuration.

The broken lines in FIGS. 1 and 7 are to show environment and form no part of the claimed design.

1 Claim, 5 Drawing Sheets



US D680,703 S

Page 2

U.S. PATENT DOCUMENTS

D552,351 S * 10/2007 Bauers D3/294
D553,323 S 10/2007 Moomey
D566,368 S * 4/2008 Moomey D34/10
7,469,798 B1 12/2008 Miller
D605,372 S * 12/2009 Wilkinson D34/6
D632,447 S * 2/2011 Lutz D34/6
D638,189 S * 5/2011 Wolzen D34/5
D651,780 S * 1/2012 Grasteit D34/1

D668,417 S * 10/2012 Thomas et al. D34/10
2002/0100845 A1* 8/2002 Green 248/101
2003/0214141 A1 11/2003 Morris

OTHER PUBLICATIONS

U.S. Appl. No. 29/408,309, filed Dec. 9, 2011; entitled Collection and Cover Structure for a Receptacle.

* cited by examiner

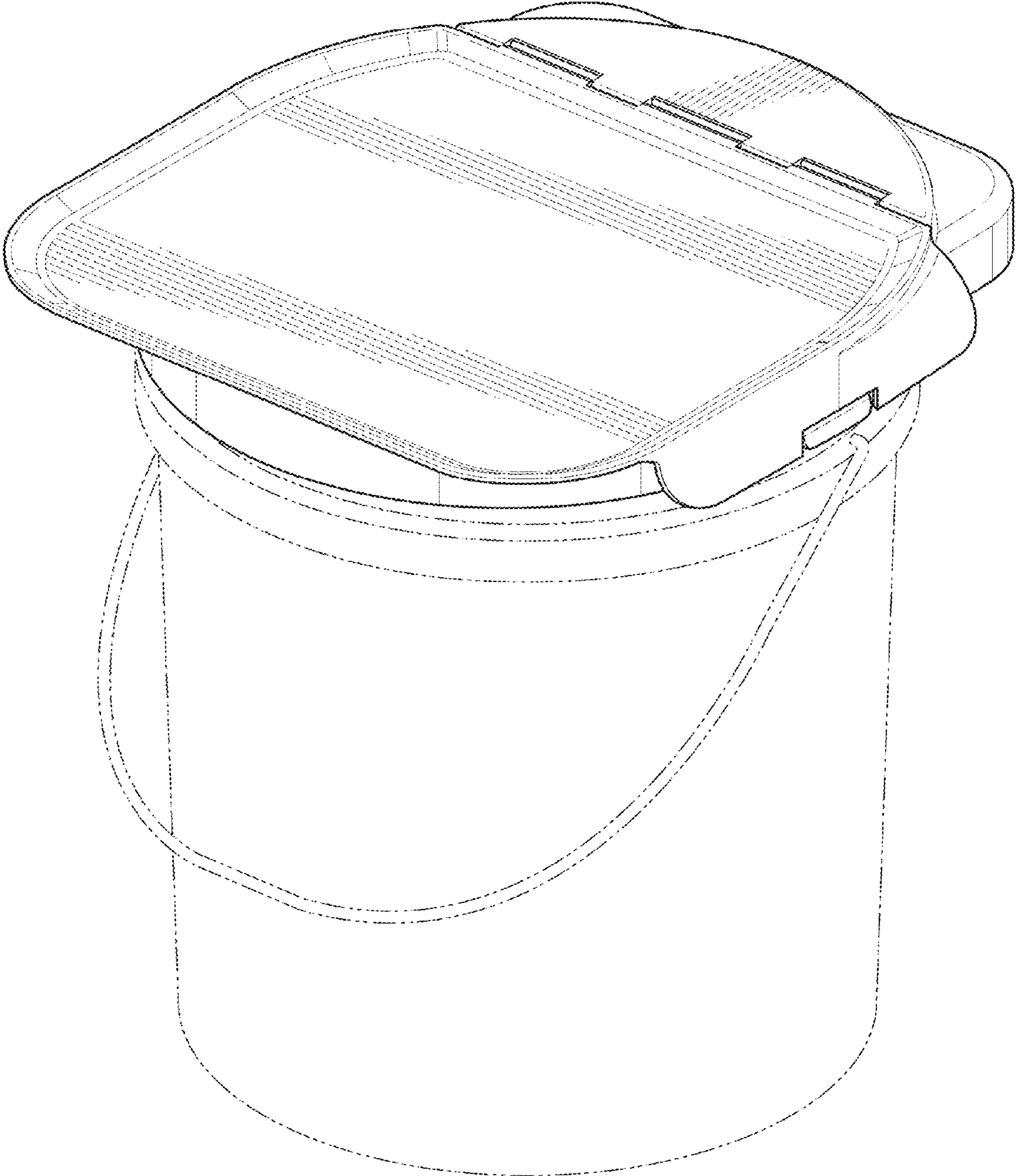


FIG. 1

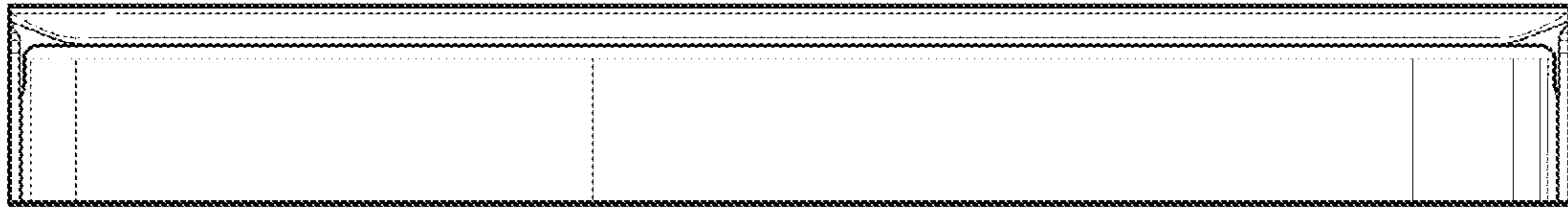


FIG. 2

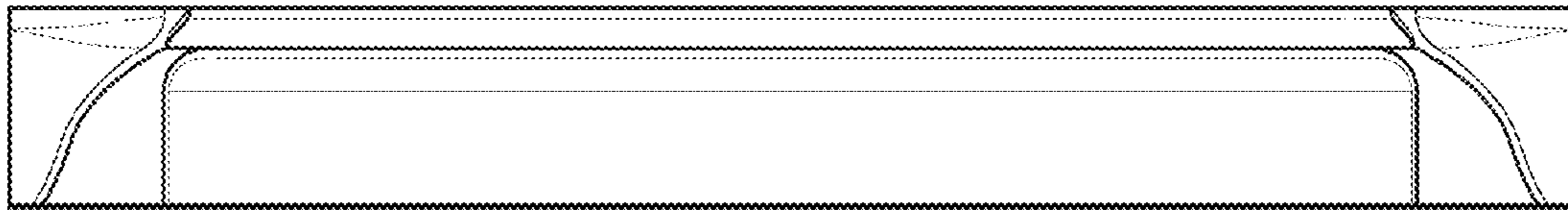


FIG. 3

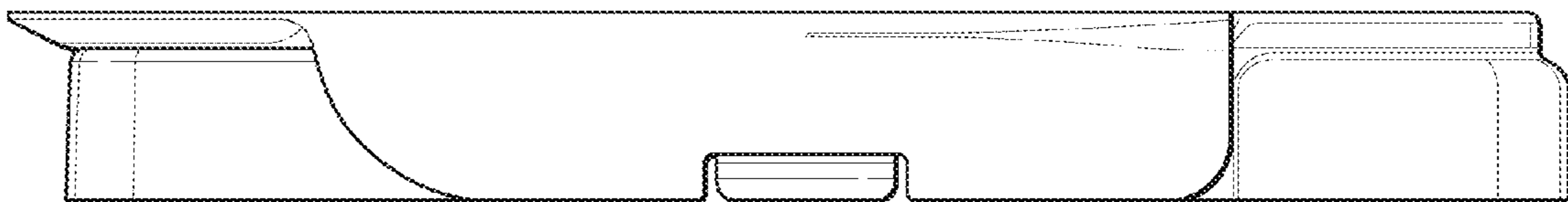


FIG. 4

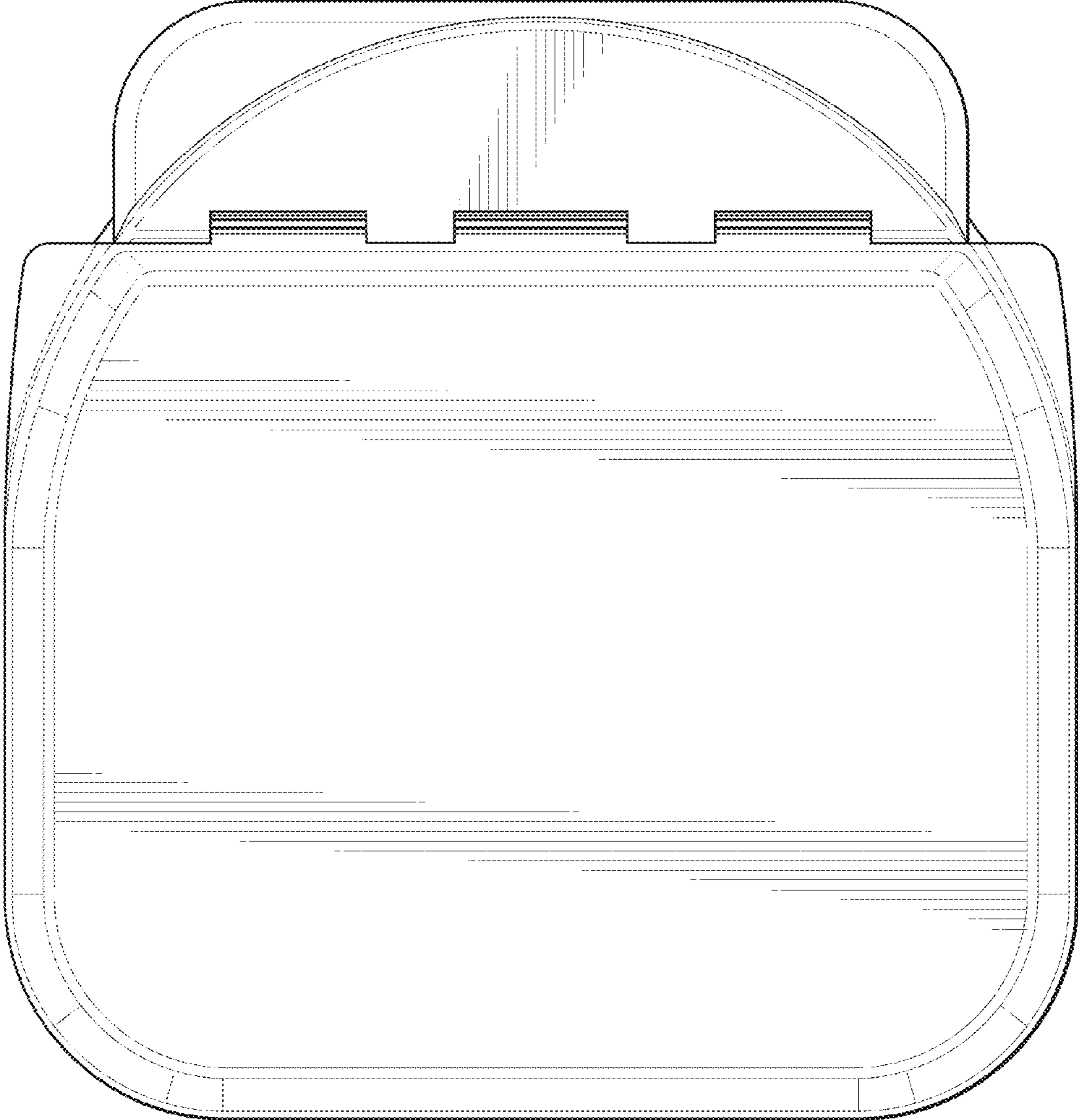


FIG. 5

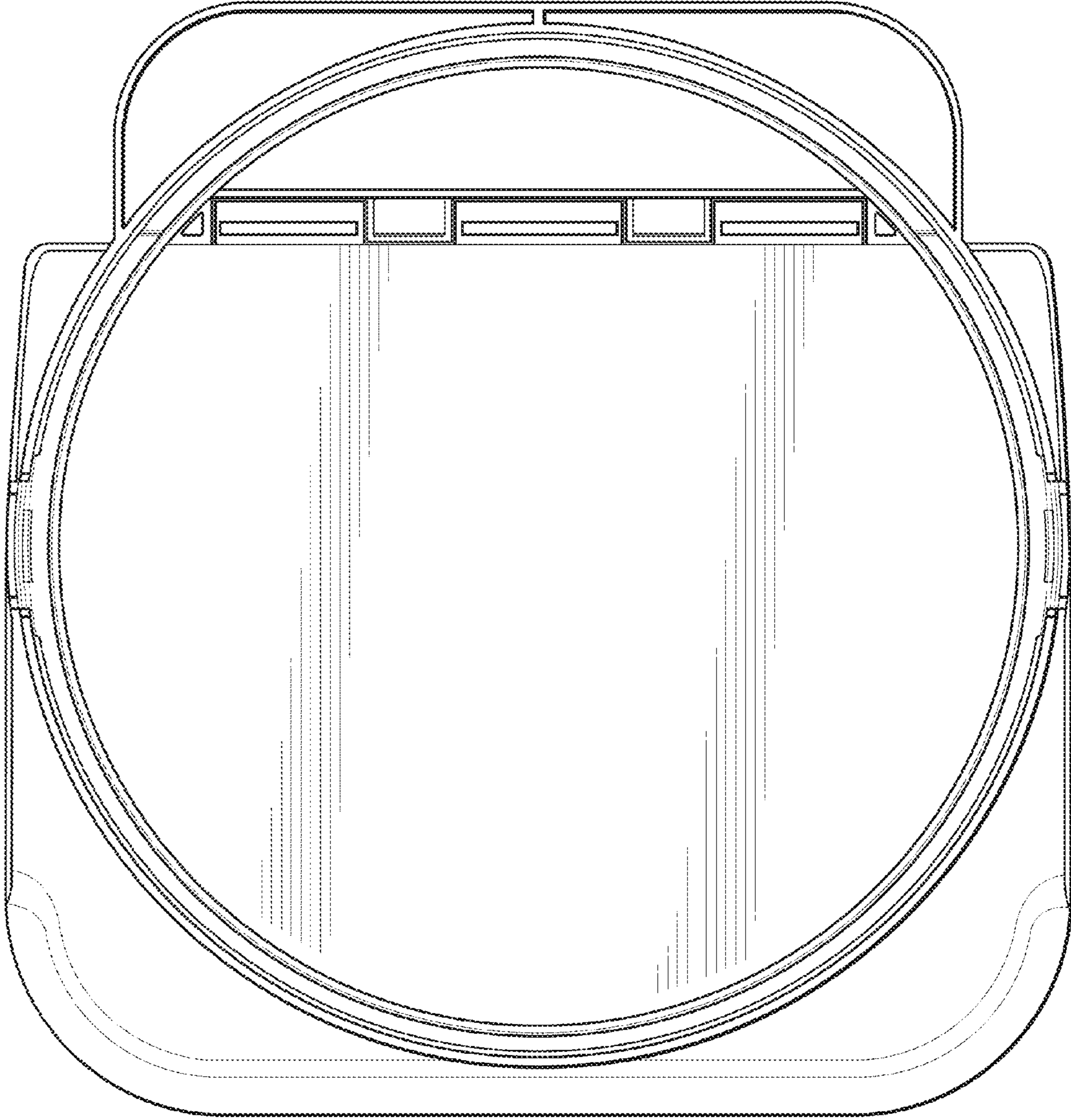


FIG. 6

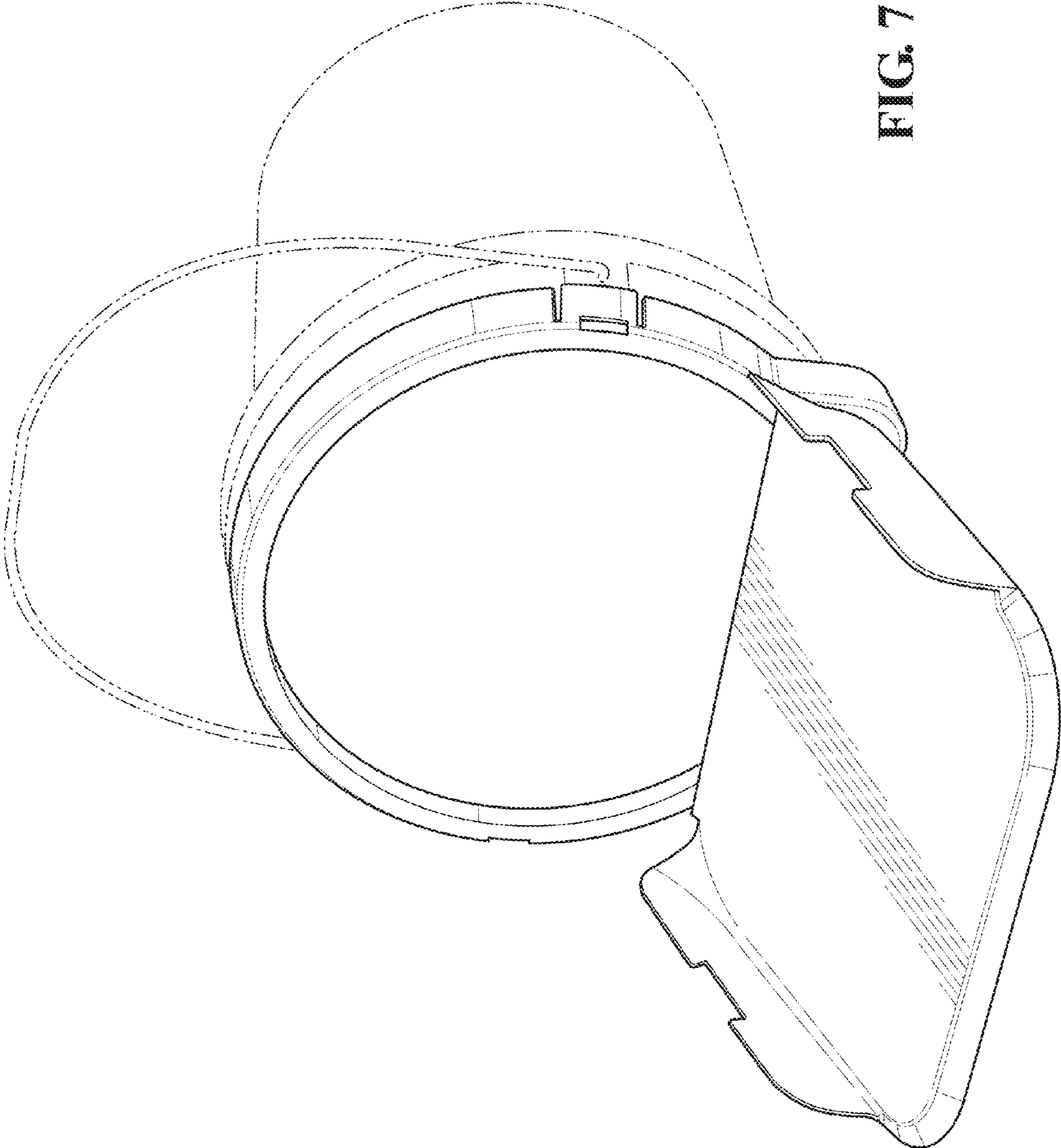


FIG. 7