



US00D680702S

(12) **United States Design Patent**
Bennie et al.

(10) **Patent No.:** **US D680,702 S**
(45) **Date of Patent:** **** Apr. 23, 2013**

(54) **MOBILE RECYCLING CENTER UNIT**

(75) Inventors: **William Bennie**, Rockford, MI (US);
Randall Patrick Nelsen, Alto, MI (US);
John Coleman Cantrell, Jr., Atlanta,
GA (US); **Thomas Daniel Polucci**, New
York, NY (US)

(73) Assignee: **Steelcase Inc.**, Grand Rapids, MI (US)

(**) Term: **14 Years**

(21) Appl. No.: **29/428,229**

(22) Filed: **Jul. 27, 2012**

(51) **LOC (9) Cl.** **09-09**

(52) **U.S. Cl.**
USPC **D34/5; D34/1**

(58) **Field of Classification Search** D34/1-11;
220/908, 908.1, 911, 909; 232/43.1, 43.2
See application file for complete search history.

(56) **References Cited**

U.S. PATENT DOCUMENTS

D299,879	S	2/1989	Pickering	
4,895,267	A	1/1990	Karlsson	
5,085,342	A	2/1992	Strawder	
D327,152	S	6/1992	Rose et al.	
D330,446	S	10/1992	Verzicco et al.	
D332,332	S	1/1993	Markey	
D335,012	S	4/1993	Broussard	
5,377,907	A	1/1995	Guard	
5,381,916	A	1/1995	Strawder	
D356,419	S	3/1995	Kamm	
6,102,502	A	8/2000	Melillo et al.	
D535,447	S *	1/2007	Olivetti	D34/1
D596,819	S	7/2009	Mancini	
D605,822	S *	12/2009	Cantrell et al.	D34/5

D606,272	S	12/2009	Cantrell et al.	
D608,516	S	1/2010	Cantrell et al.	
D617,519	S *	6/2010	Malczewski et al.	D34/1
D638,598	S *	5/2011	Ziech	D34/1
D640,027	S *	6/2011	Strempack et al.	D34/1
8,042,703	B2	10/2011	Dembowiak	
D659,930	S	5/2012	Sheehan	
D659,932	S	5/2012	Sheehan	
D661,449	S	6/2012	Gardner	
D668,414	S *	10/2012	McNay et al.	D34/7
D670,059	S *	10/2012	Katechis et al.	D34/9
2010/0289393	A1	11/2010	Cantrell et al.	

* cited by examiner

Primary Examiner — Cynthia Ramirez

(57) **CLAIM**

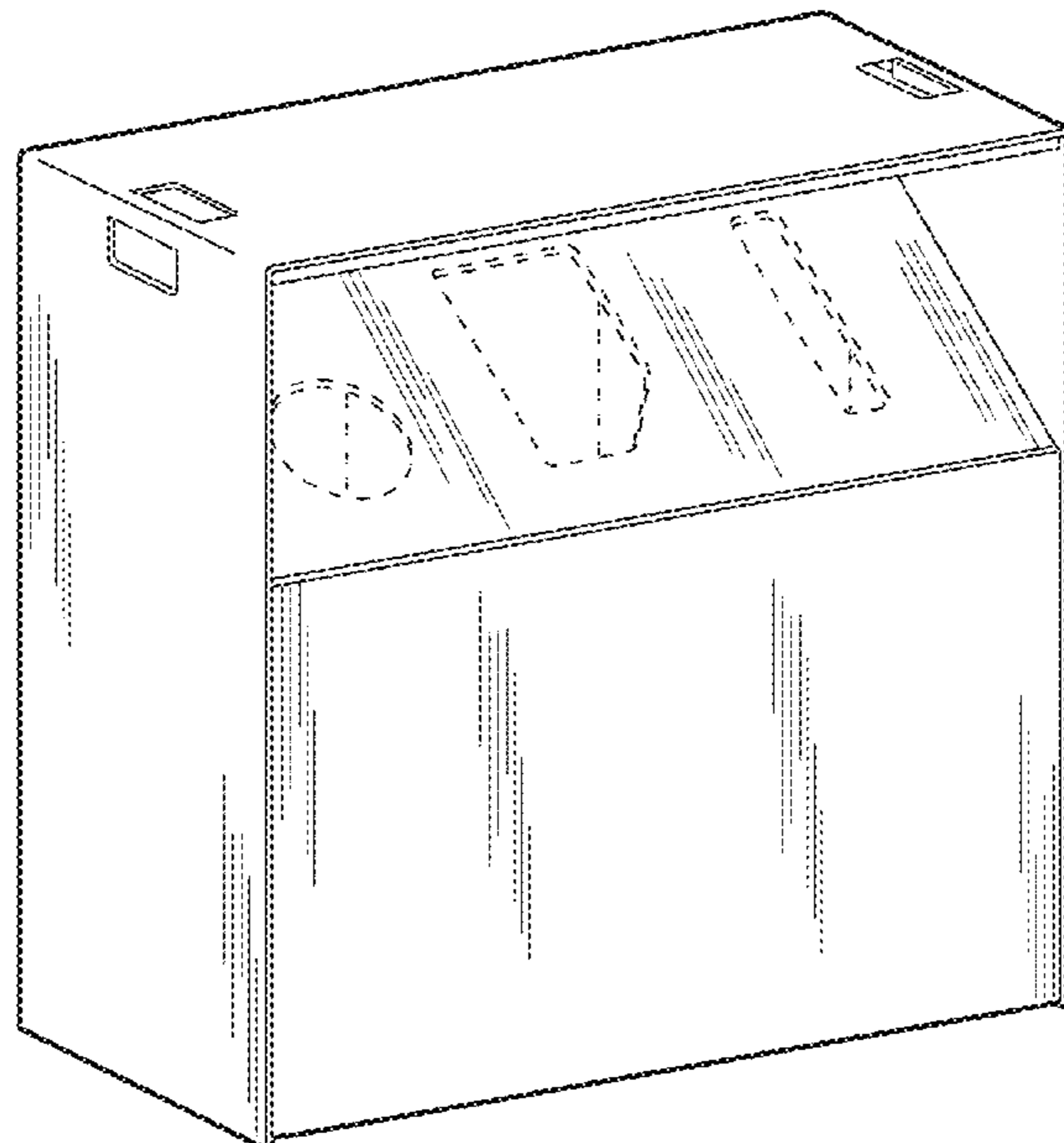
We claim the ornamental design for a mobile recycling center unit, as shown and described.

DESCRIPTION

FIG. 1 is a front perspective view of a mobile recycling center unit, according to one embodiment;
FIG. 2 is a front view of a mobile recycling center unit of FIG. 1;
FIG. 3 is a left side view of a mobile recycling center unit of FIG. 1, the right side view is a mirror image of the left side view of FIG. 3;
FIG. 4 is a rear view of a mobile recycling center unit of FIG. 1;
FIG. 5 is a top view of a mobile recycling center unit of FIG. 1; and,
FIG. 6 is a bottom view of a mobile recycling center unit of FIG. 1.

The dotted lines are for purposes of illustrating environmental structure and form no part of the claimed design.

1 Claim, 3 Drawing Sheets



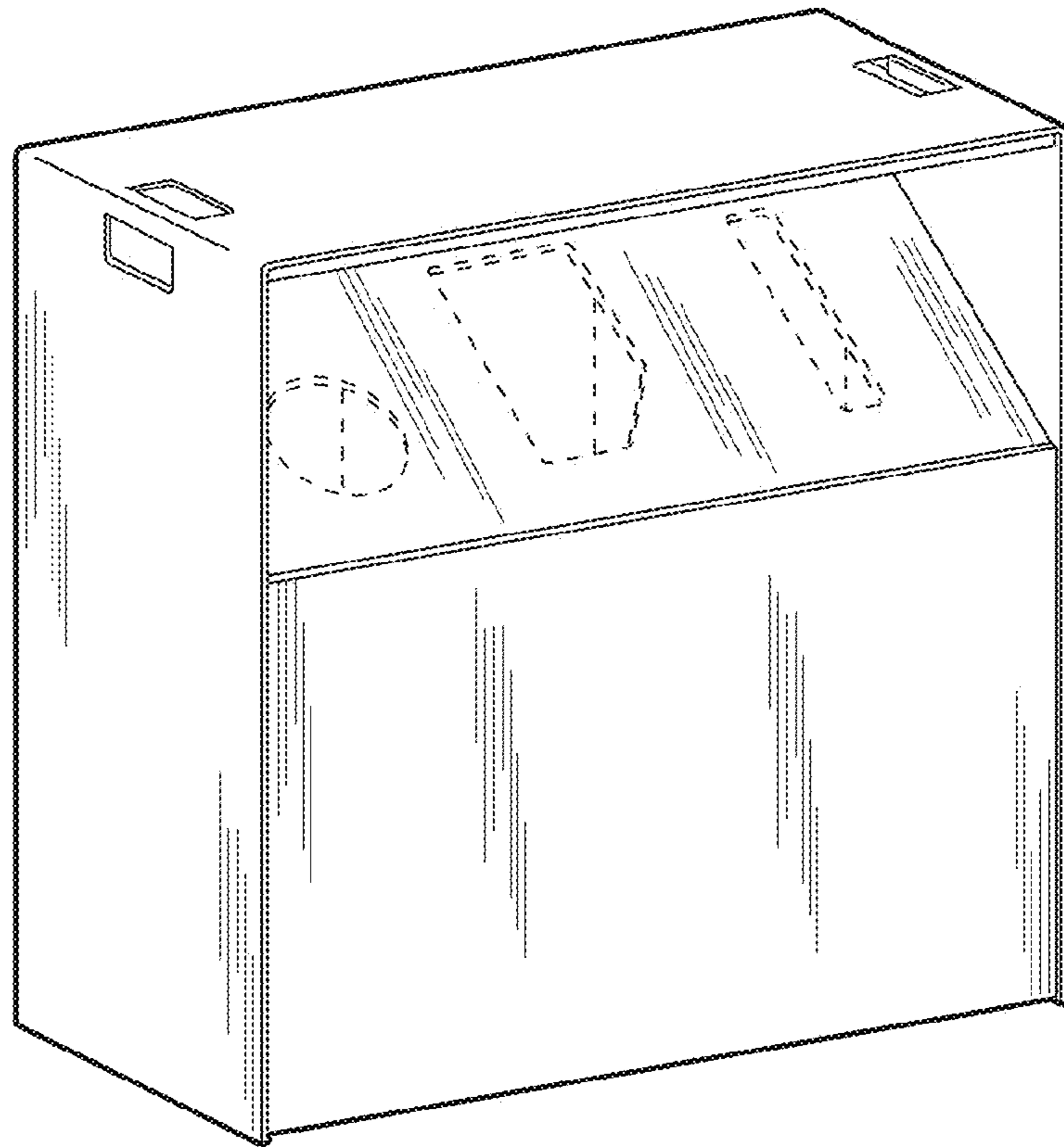


Fig. 1

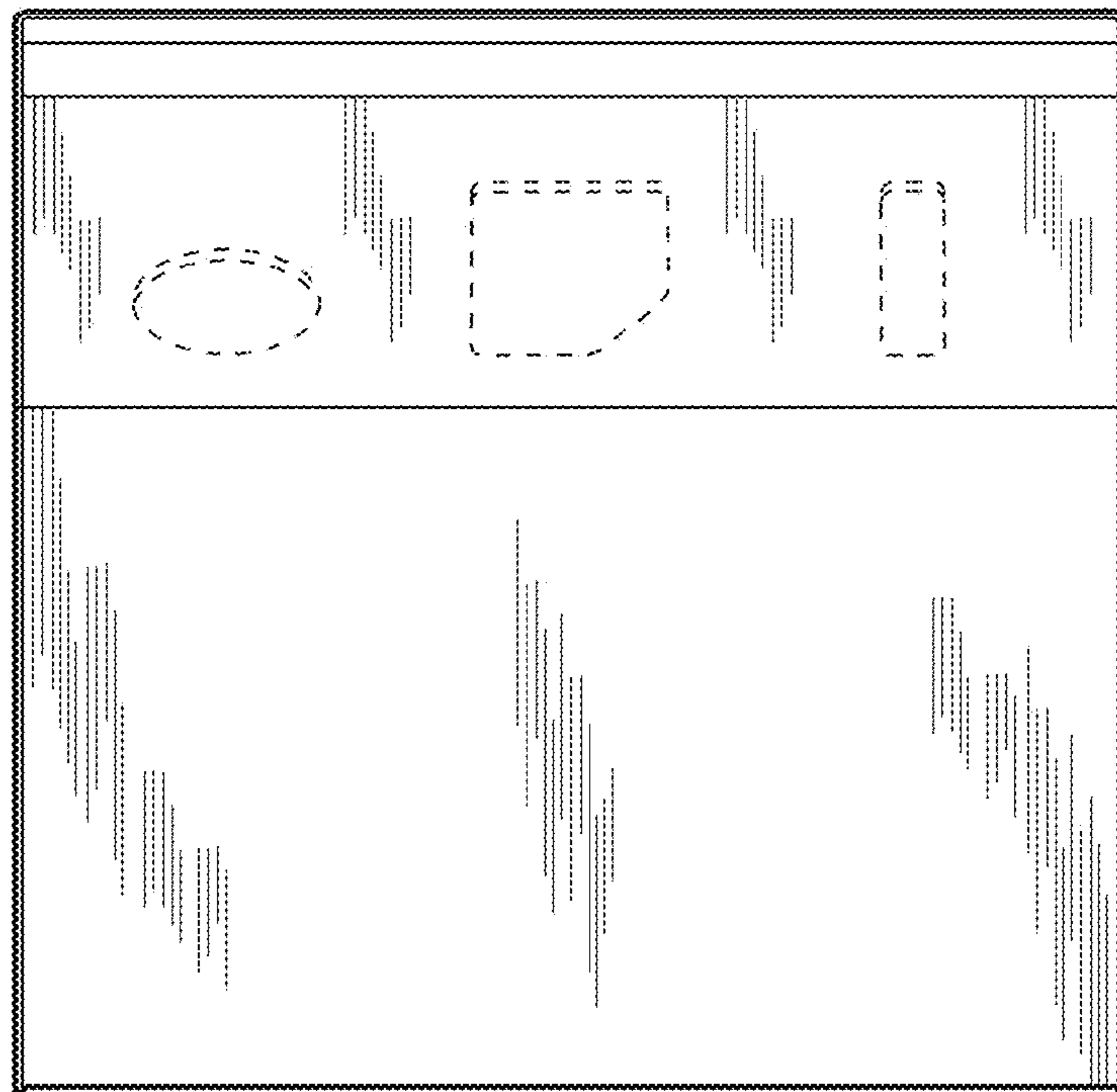


Fig. 2

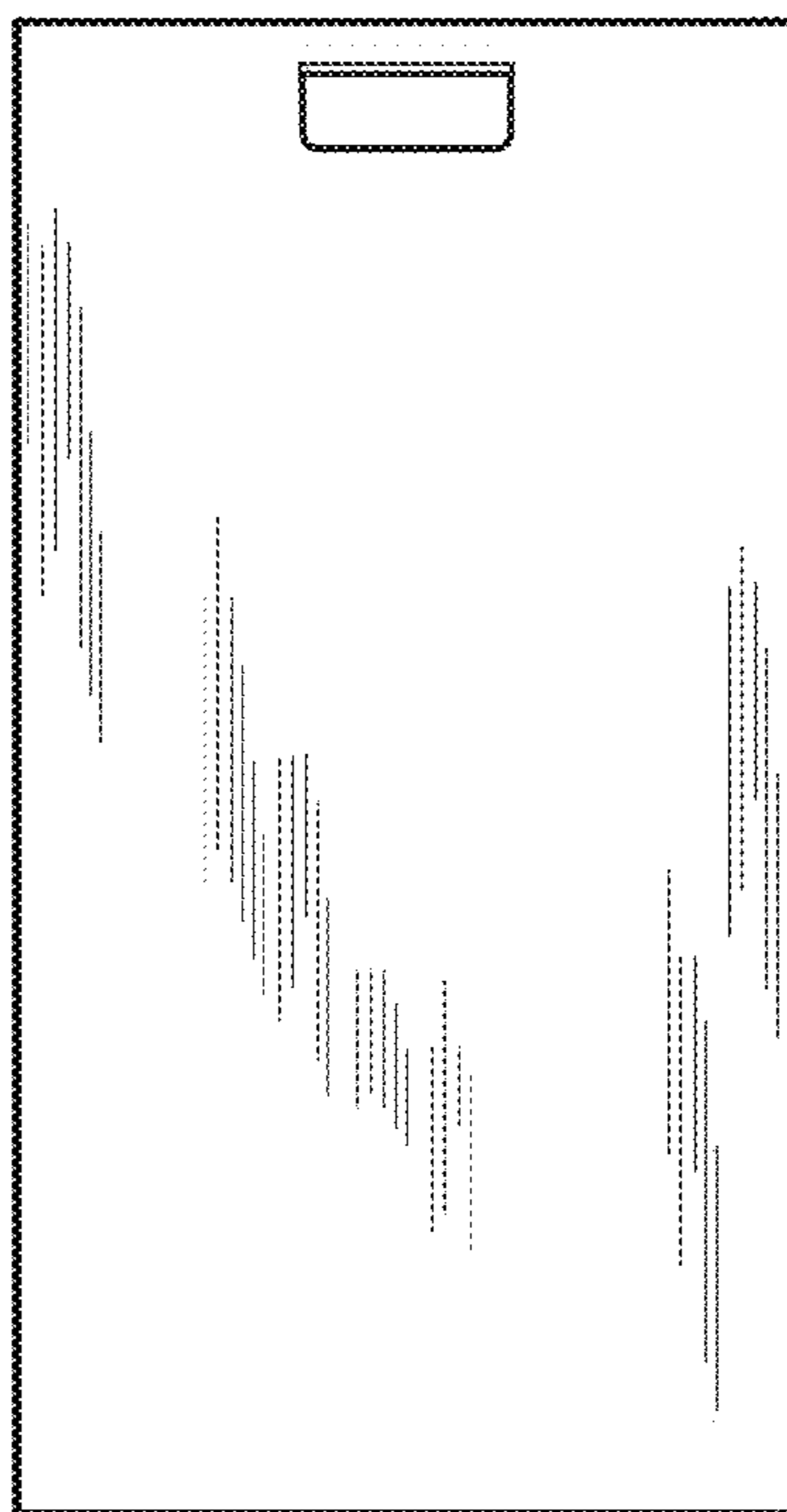


Fig. 3

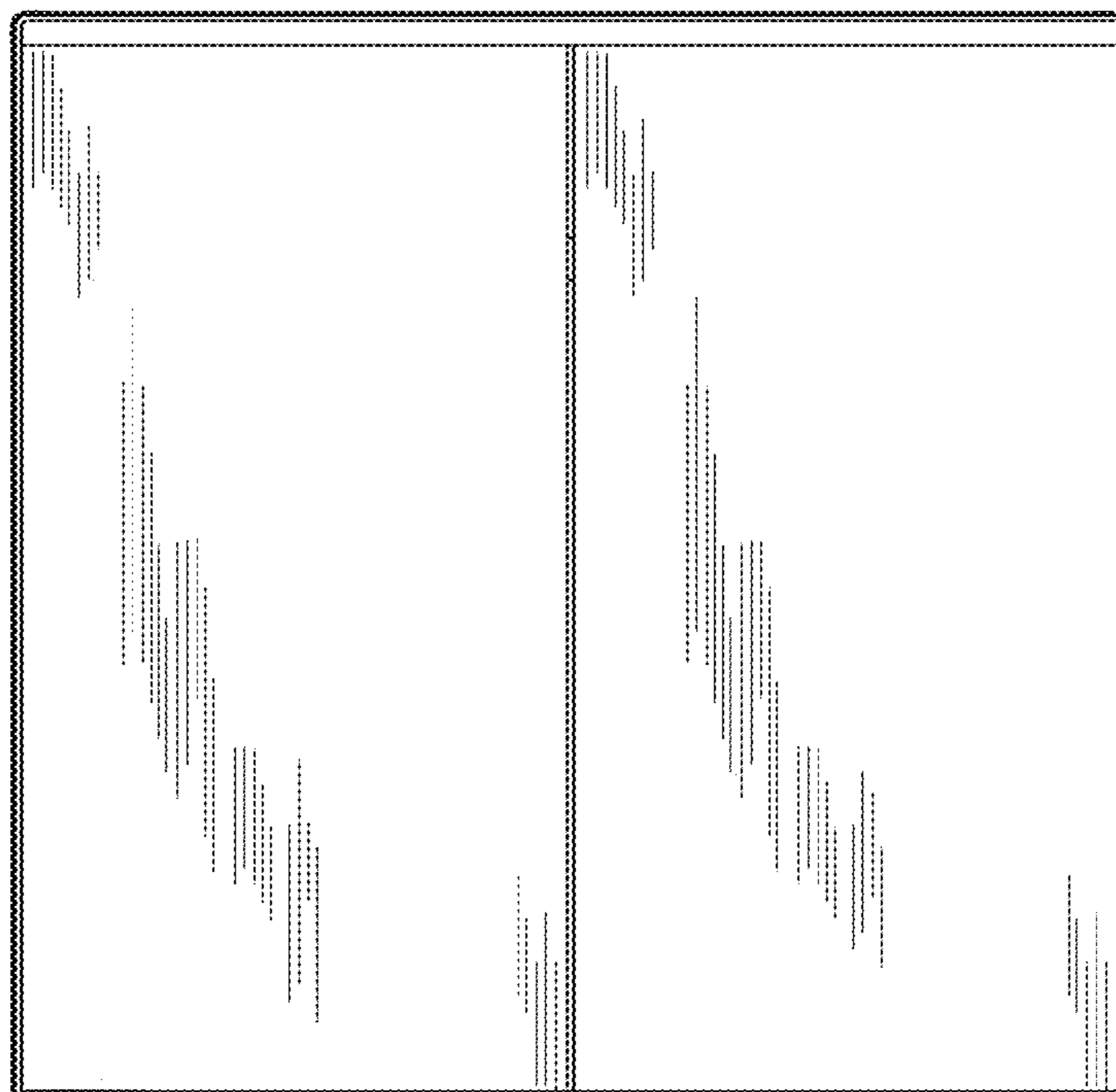


Fig. 4

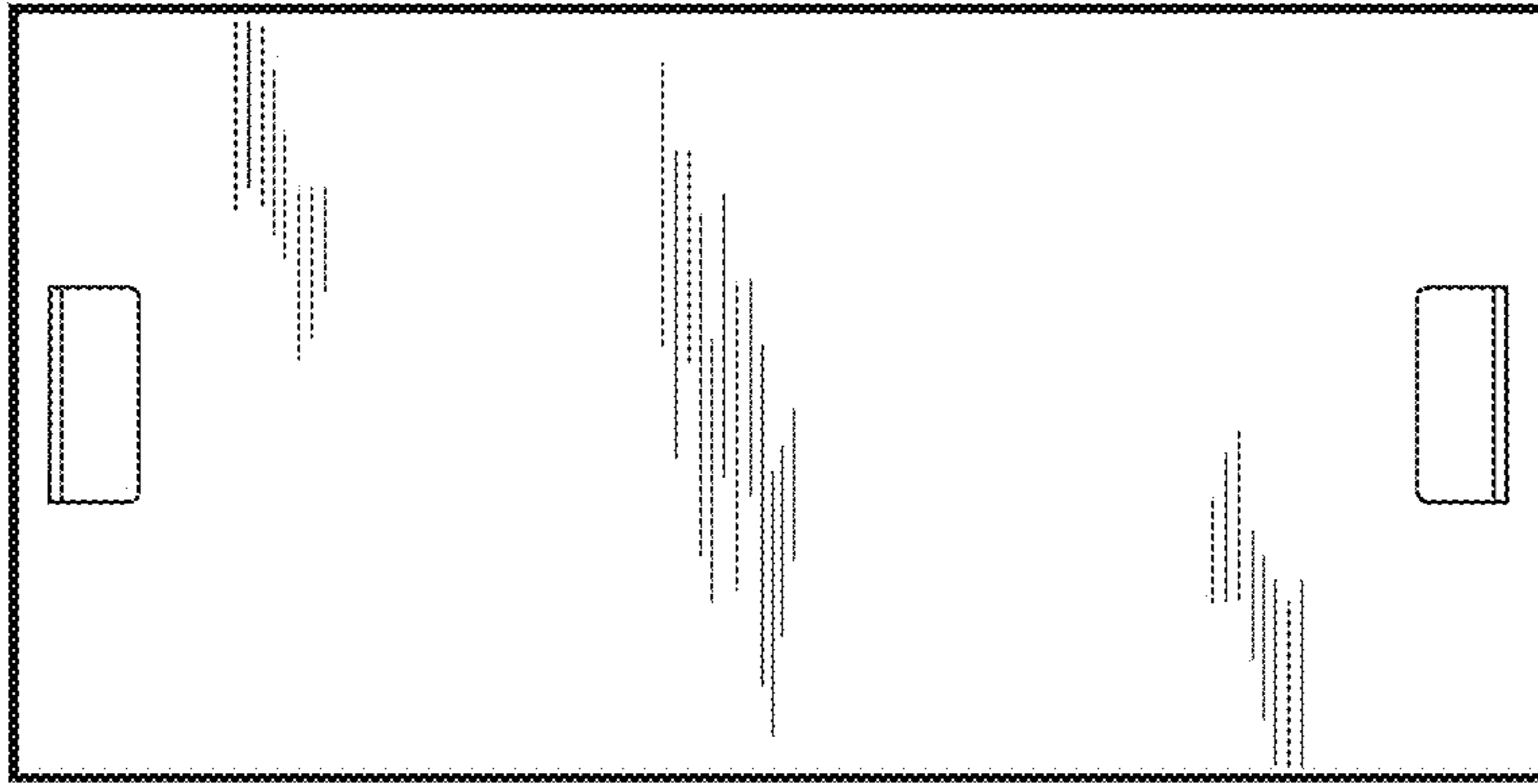


Fig. 5

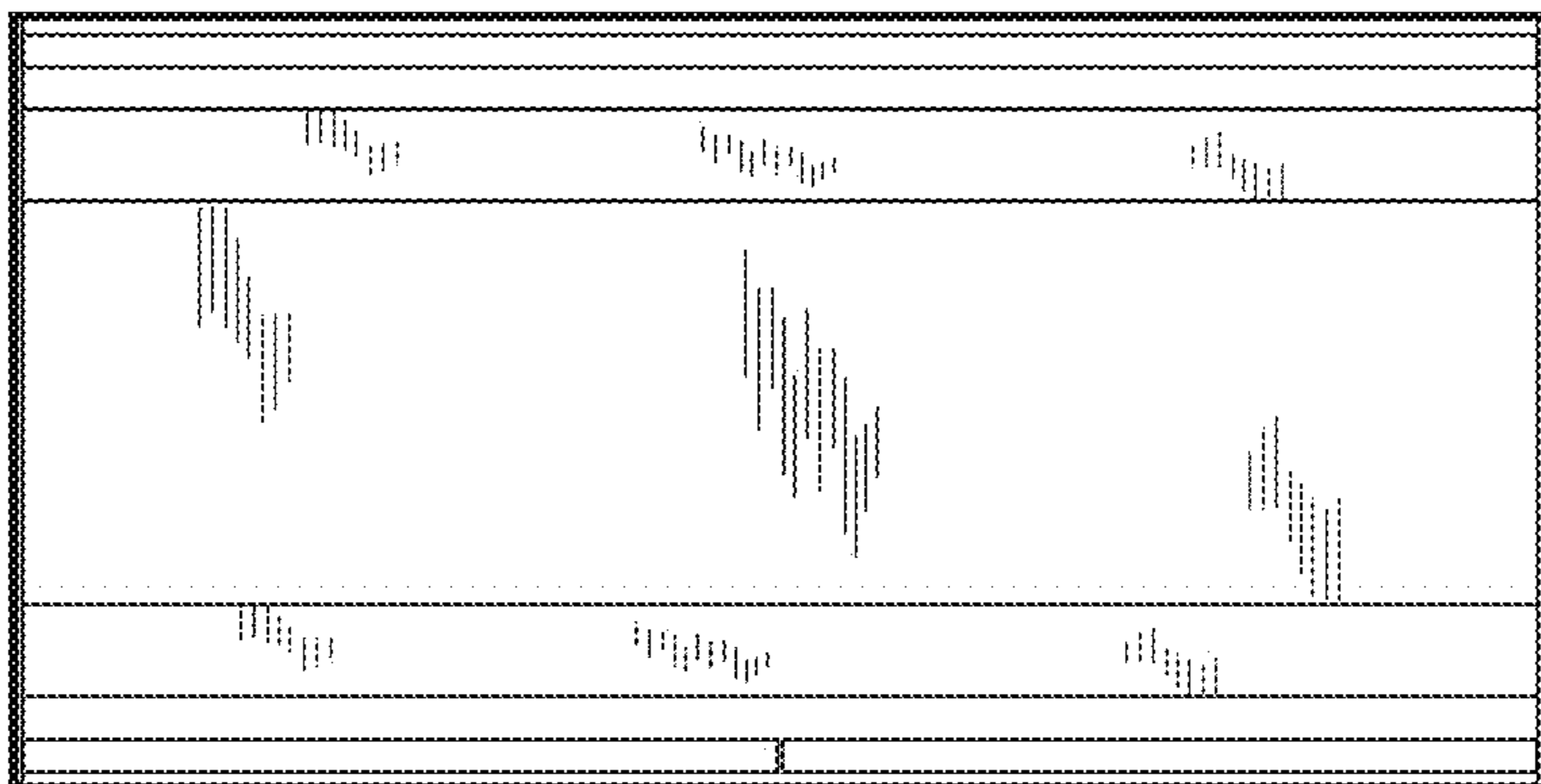


Fig. 6