



US00D680698S

(12) **United States Design Patent**  
**McWilliams**

(10) **Patent No.:** **US D680,698 S**

(45) **Date of Patent:** **\*\* Apr. 23, 2013**

(54) **PET TREAT BALL**

(75) Inventor: **Shannon McWilliams**, Sonoma, CA  
(US)

(73) Assignee: **Worldwise, Inc.**, San Rafael, CA (US)

(\*\*) Term: **14 Years**

(21) Appl. No.: **29/429,895**

(22) Filed: **Aug. 17, 2012**

(51) **LOC (9) Cl.** ..... **30-99**

(52) **U.S. Cl.**  
USPC ..... **D30/160; D30/121**

(58) **Field of Classification Search** ..... D30/121,  
D30/160; 119/707-711, 51.01, 51.11, 51.13,  
119/51.15; D21/713, 707, 505, 398, 386,  
D21/498, 479, 499; D14/233; D19/1, 61;  
434/214, 278; 211/1; 273/155; 342/8; 428/66.5,  
428/9; 446/199, 92, 85; 473/569; D3/271.1;  
D9/430, 651

See application file for complete search history.

(56) **References Cited**

U.S. PATENT DOCUMENTS

115,252	A *	5/1871	Spencer	473/612
289,912	A *	12/1883	Huleu	63/41
D23,499	S *	7/1894	Boekel	D23/258
D58,234	S *	6/1921	Holley	D21/406
D61,178	S *	7/1922	Steffen	D26/129
D64,847	S *	6/1924	Gillinder	D26/129
2,078,382	A *	4/1937	Hanshaw	473/595
D117,789	S *	11/1939	Kranz et al.	D11/121
D118,683	S *	1/1940	Kranz et al.	D11/121
2,211,330	A *	8/1940	Hochberg	273/118 D
2,783,046	A *	2/1957	Lien	473/596
2,791,868	A *	5/1957	Viken	446/107
3,046,016	A *	7/1962	Laws	273/241
D206,806	S *	1/1967	Moranduzzo	D11/121
3,439,917	A *	4/1969	Gentile	473/52

D219,284	S *	11/1970	Hunt	D21/707
3,633,538	A *	1/1972	Hoeflin	118/76
3,633,587	A *	1/1972	Hunt	606/235
3,747,956	A *	7/1973	Heberlein	280/206
3,780,469	A *	12/1973	Hancovsky	446/127
D232,238	S *	7/1974	La Borde	D23/209
D238,952	S *	2/1976	Karkaev et al.	D11/121
3,953,030	A *	4/1976	Muchnick	273/348.4
4,006,908	A *	2/1977	Minami	473/200
4,042,252	A *	8/1977	Winter	280/206
4,050,184	A *	9/1977	Chiari	446/86
D246,742	S *	12/1977	Baker	D26/129
D249,131	S *	8/1978	Barr	D11/81
4,240,639	A *	12/1980	Bolton et al.	473/573
4,248,424	A *	2/1981	Judkins	473/613
4,321,888	A *	3/1982	Topliffe	119/709
4,458,895	A *	7/1984	Turcotte	482/78
4,579,336	A *	4/1986	Morin	280/206
D287,988	S *	1/1987	Billinghurst	D21/713
D298,957	S *	12/1988	Van, Jr.	D21/424
4,850,927	A *	7/1989	Caranica	446/369
4,890,838	A *	1/1990	Rudell et al.	273/138.1
4,919,422	A *	4/1990	Ma	473/613
4,991,847	A *	2/1991	Rudell et al.	273/138.1

(Continued)

Primary Examiner — Susan Moon Lee

(74) *Attorney, Agent, or Firm* — Bay Area Technology Law Group PC

(57) **CLAIM**

The ornamental design for a pet treat ball, as shown and described.

**DESCRIPTION**

FIG. 1 is a perspective view of a pet treat ball showing my new design;

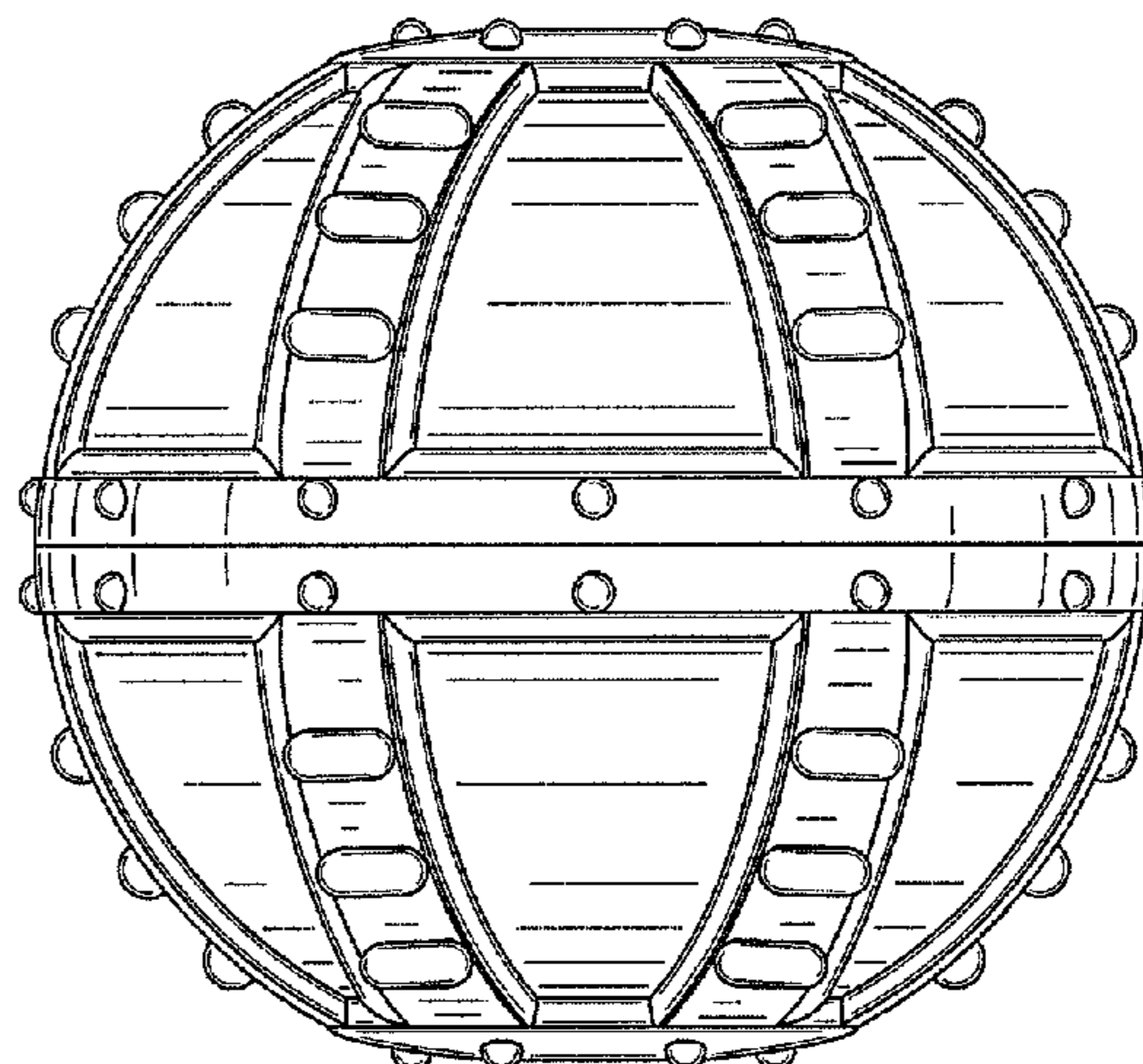
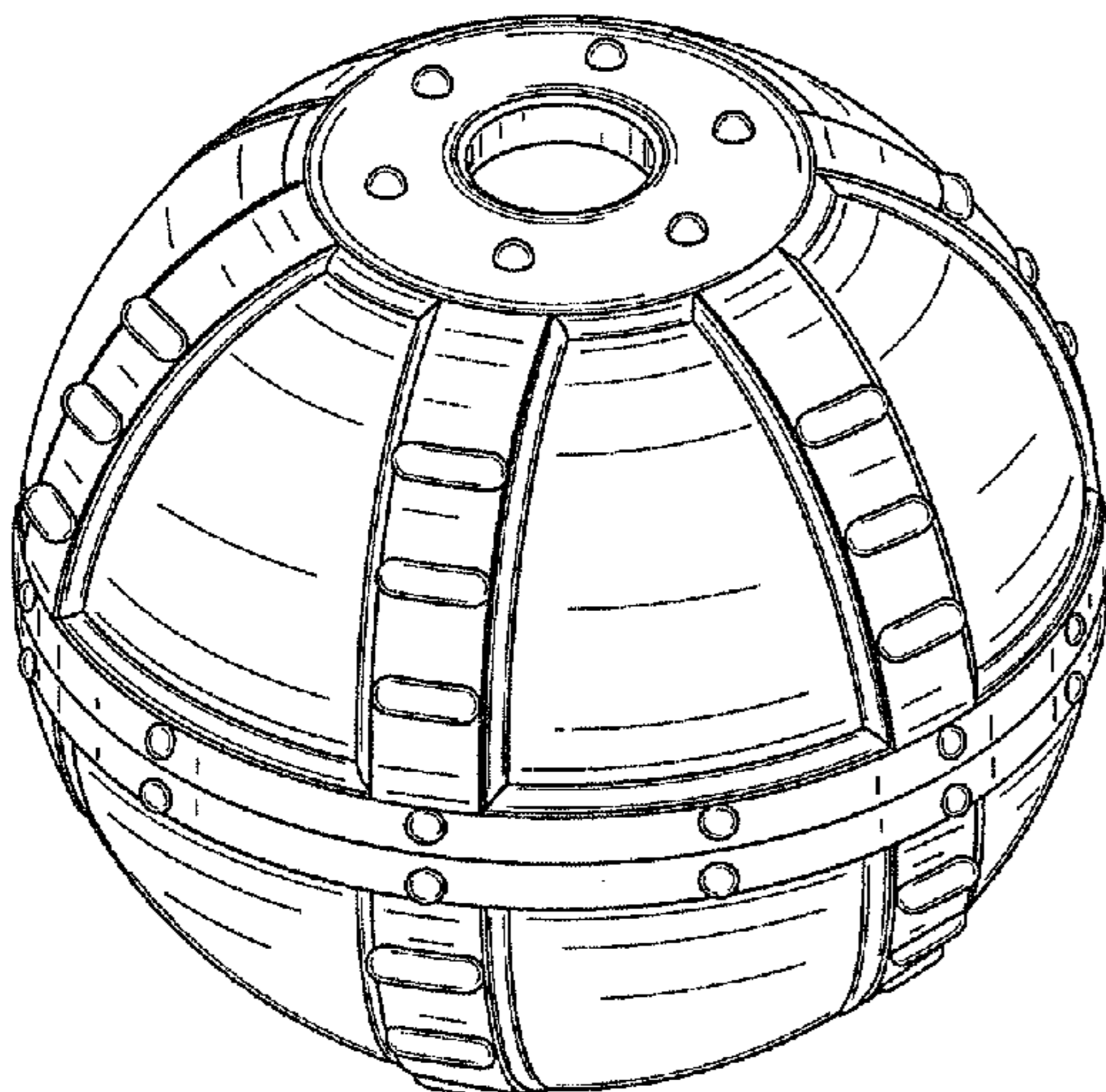
FIG. 2 is a front view of FIG. 1;

FIG. 3 is a side view of FIG. 1;

FIG. 4 is a top plan view of FIG. 1; and,

FIG. 5 is a bottom plan view of FIG. 1.

**1 Claim, 3 Drawing Sheets**





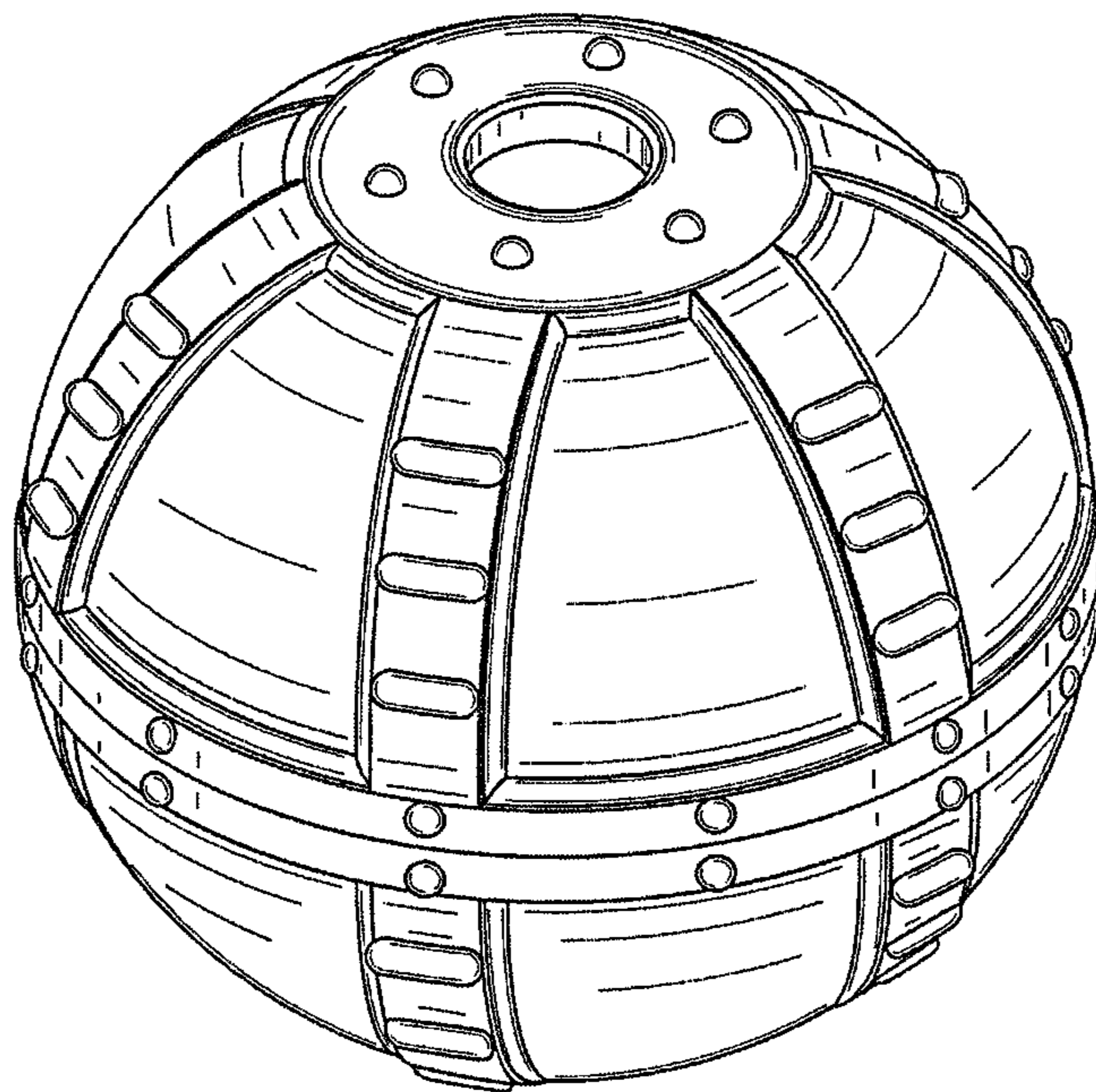
# US D680,698 S

Page 2

## U.S. PATENT DOCUMENTS

5,020,438	A *	6/1991	Brown	102/517	D540,496	S *	4/2007	Axelrod	D30/160
5,116,255	A *	5/1992	Keeling et al.	119/475	D549,889	S *	8/2007	Winkler et al.	D30/160
D330,223	S *	10/1992	Crum	D20/21	D563,486	S *	3/2008	Slater et al.	D21/498
5,207,420	A *	5/1993	Crawford et al.	119/707	D563,609	S *	3/2008	Gick	D30/160
5,236,196	A *	8/1993	Blankenburg et al.	446/87	7,367,283	B2 *	5/2008	Aboujaoude et al.	119/707
D340,489	S *	10/1993	Evangelista	D21/713	D574,292	S *	8/2008	Jost	D11/131
D346,134	S *	4/1994	Chin-Sheng	D11/131	D574,747	S *	8/2008	Chen	D11/121
D348,915	S *	7/1994	Fraser	D21/707	D580,112	S *	11/2008	Stiles	D30/160
D352,477	S *	11/1994	Yang	D11/121	D584,457	S *	1/2009	Plante	D30/108
D356,053	S *	3/1995	Engelke	D11/121	D585,784	S *	2/2009	Chen	D11/125
D356,355	S *	3/1995	Martin	D21/712	7,506,613	B2 *	3/2009	Wolfe et al.	119/709
5,480,143	A *	1/1996	McMurry	473/571	D592,541	S *	5/2009	Chen	D11/125
D367,504	S *	2/1996	Barzani	D21/498	D594,606	S *	6/2009	DeSeguirant, Jr.	D30/160
D369,314	S *	4/1996	Yang	D11/121	7,608,003	B1 *	10/2009	Fusco et al.	473/613
D370,243	S *	5/1996	Thompson	D21/707	7,640,894	B2 *	1/2010	Jager	119/710
D372,750	S *	8/1996	Schloss	D21/707	D610,215	S *	2/2010	Wechsler	D21/707
D385,002	S *	10/1997	Schloss	D21/707	D619,033	S *	7/2010	Tierney	D11/81
5,676,611	A *	10/1997	Foster et al.	473/613	D621,447	S *	8/2010	Smith	D19/59
D386,109	S *	11/1997	Hsiao Chan	D11/121	D623,247	S *	9/2010	Zawitz	D21/707
5,813,366	A *	9/1998	Mauldin, Jr.	119/710	D625,056	S *	10/2010	Kelly	D30/160
5,823,843	A *	10/1998	Pohlman	446/120	D626,705	S *	11/2010	Rutherford	D30/160
D404,681	S *	1/1999	Galerneau	D11/121	D628,117	S *	11/2010	Speegle	D11/79
D408,482	S *	4/1999	Morrison	D21/708	7,832,362	B2 *	11/2010	DeGhionno	119/709
6,073,581	A *	6/2000	Wang	119/51.01	D631,213	S *	1/2011	Morton	D30/160
6,098,571	A *	8/2000	Axelrod et al.	119/707	7,866,281	B2 *	1/2011	Willinger	119/710
6,148,771	A *	11/2000	Costello	119/709	7,867,115	B2 *	1/2011	Zawitz	473/570
6,217,408	B1 *	4/2001	Willinger	446/396	D632,027	S *	2/2011	Johnston et al.	D30/121
6,237,538	B1 *	5/2001	Tsengas	119/707	D635,056	S *	3/2011	De Nysschen	D11/184
D445,059	S *	7/2001	Kohler	D11/121	D635,685	S *	4/2011	Hendricks et al.	D24/199
D454,088	S *	3/2002	Basha	D11/79	D640,018	S *	6/2011	Rutherford	D30/160
D456,959	S *	5/2002	Simon	D30/160	D642,339	S *	7/2011	Levin et al.	D30/160
D462,032	S *	8/2002	Schmauz-Grimsel	D11/121	D648,406	S *	11/2011	Hochberg	D21/713
D466,564	S *	12/2002	Manville et al.	D21/498	D651,372	S *	12/2011	Rutherford	D30/160
D467,287	S *	12/2002	Manville et al.	D21/498	8,113,150	B1 *	2/2012	Tsengas	119/711
D468,378	S *	1/2003	Routzong	D21/707	8,122,832	B1 *	2/2012	Wei	102/501
D469,715	S *	2/2003	Wallner	D11/79	D657,506	S *	4/2012	Viola	D30/160
D469,824	S *	2/2003	Manville et al.	D21/498	D658,243	S *	4/2012	Saber et al.	D21/713
D470,195	S *	2/2003	Manville et al.	D21/498	D659,584	S *	5/2012	Veit	D11/81
D473,021	S *	4/2003	Gourley	D30/160	8,186,309	B2 *	5/2012	Specht	119/707
6,578,527	B1 *	6/2003	Mathers	119/707	8,196,550	B2 *	6/2012	Levin et al.	119/707
D477,441	S *	7/2003	Willinger et al.	D30/160	D662,804	S *	7/2012	Larson	D8/354
6,622,659	B2 *	9/2003	Willinger	119/702	D665,135	S *	8/2012	Gick	D30/160
6,634,970	B2 *	10/2003	Jiminez	473/597	D667,595	S *	9/2012	Johnston	D30/160
6,651,590	B2 *	11/2003	Willinger et al.	119/707	D670,040	S *	10/2012	Aboujaoude	D30/117
D494,716	S *	8/2004	Chang	D30/160	D672,927	S *	12/2012	Bertsch	D30/160
D498,274	S *	11/2004	Wechsler	D21/707	2003/0131803	A1 *	7/2003	Willinger et al.	119/707
D501,520	S *	2/2005	Fraze	D21/707	2005/0176532	A1 *	8/2005	Thorington	473/595
D511,029	S *	10/2005	Willinger	D30/160	2006/0054104	A1 *	3/2006	Gick	119/707
D516,646	S *	3/2006	Yang	D21/713	2006/0254531	A1 *	11/2006	Willinger	119/710
D521,894	S *	5/2006	Sugama	D11/79	2008/0017131	A1 *	1/2008	Wolfe et al.	119/709
7,037,224	B1 *	5/2006	Page et al.	473/596	2009/0314221	A1 *	12/2009	Wang	119/707
D539,367	S *	3/2007	Jones	D21/713	2012/0318210	A1 *	12/2012	Anderson	119/710

\* cited by examiner



**FIG. 1**



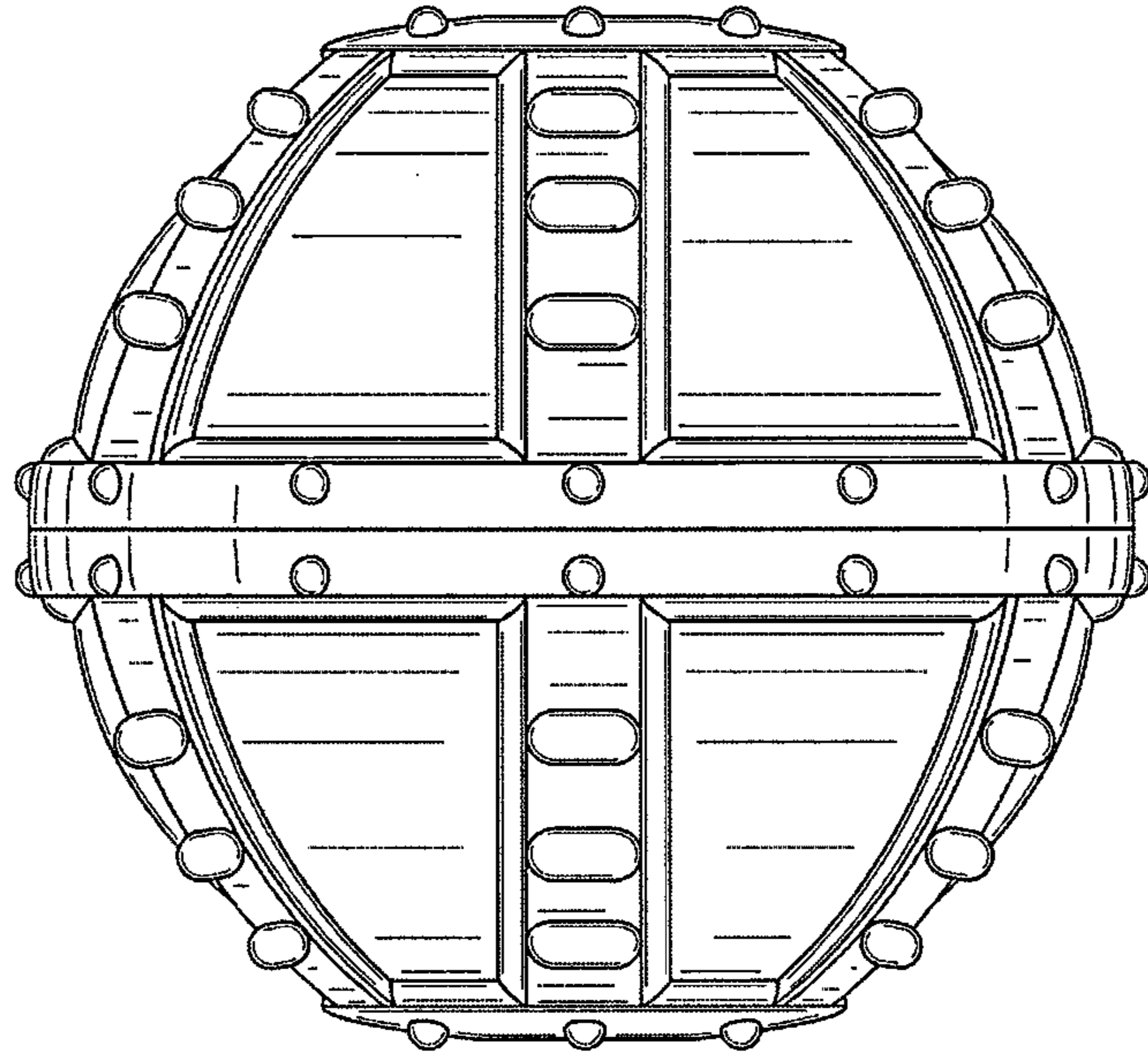


FIG. 2

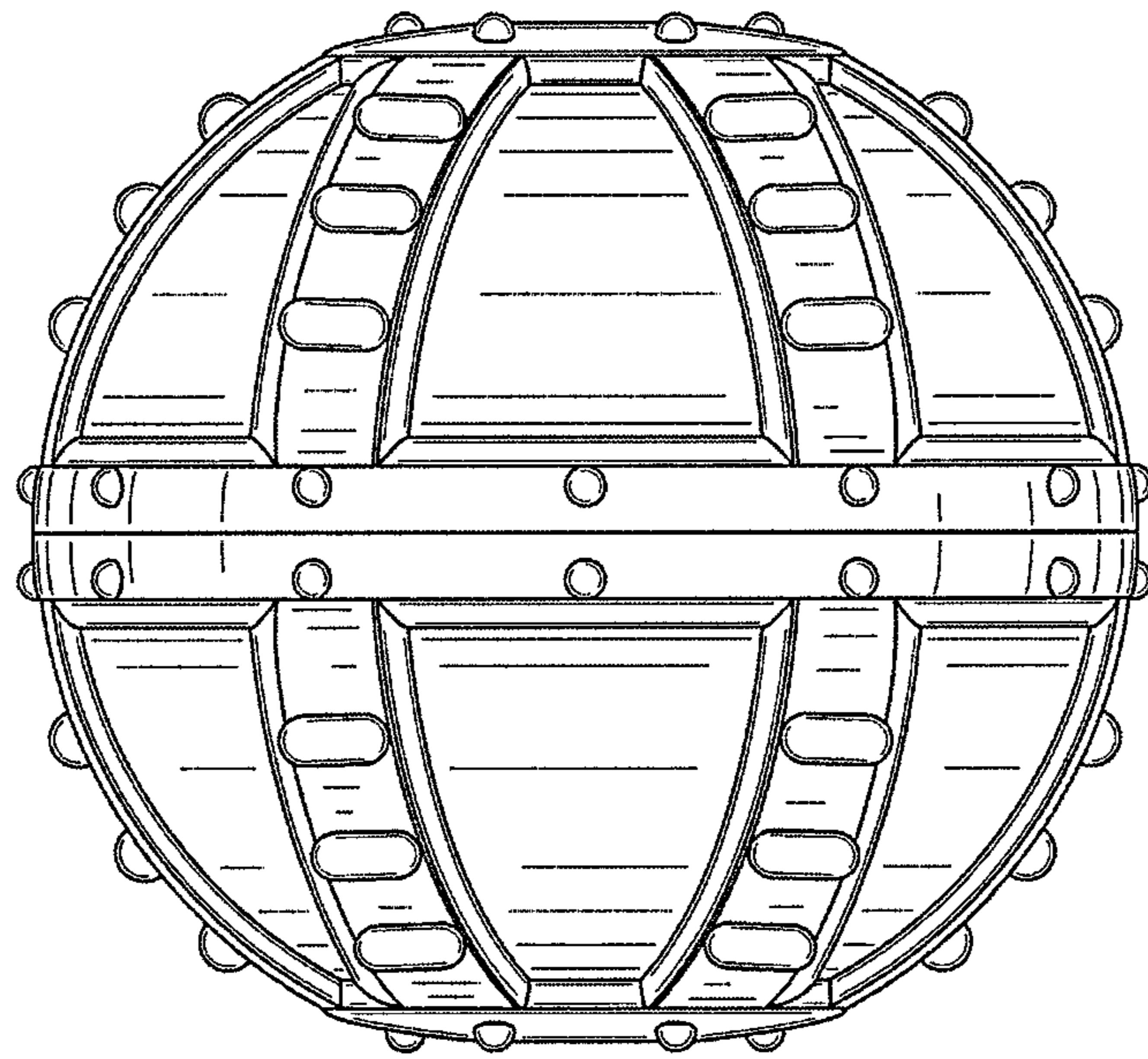


FIG. 3

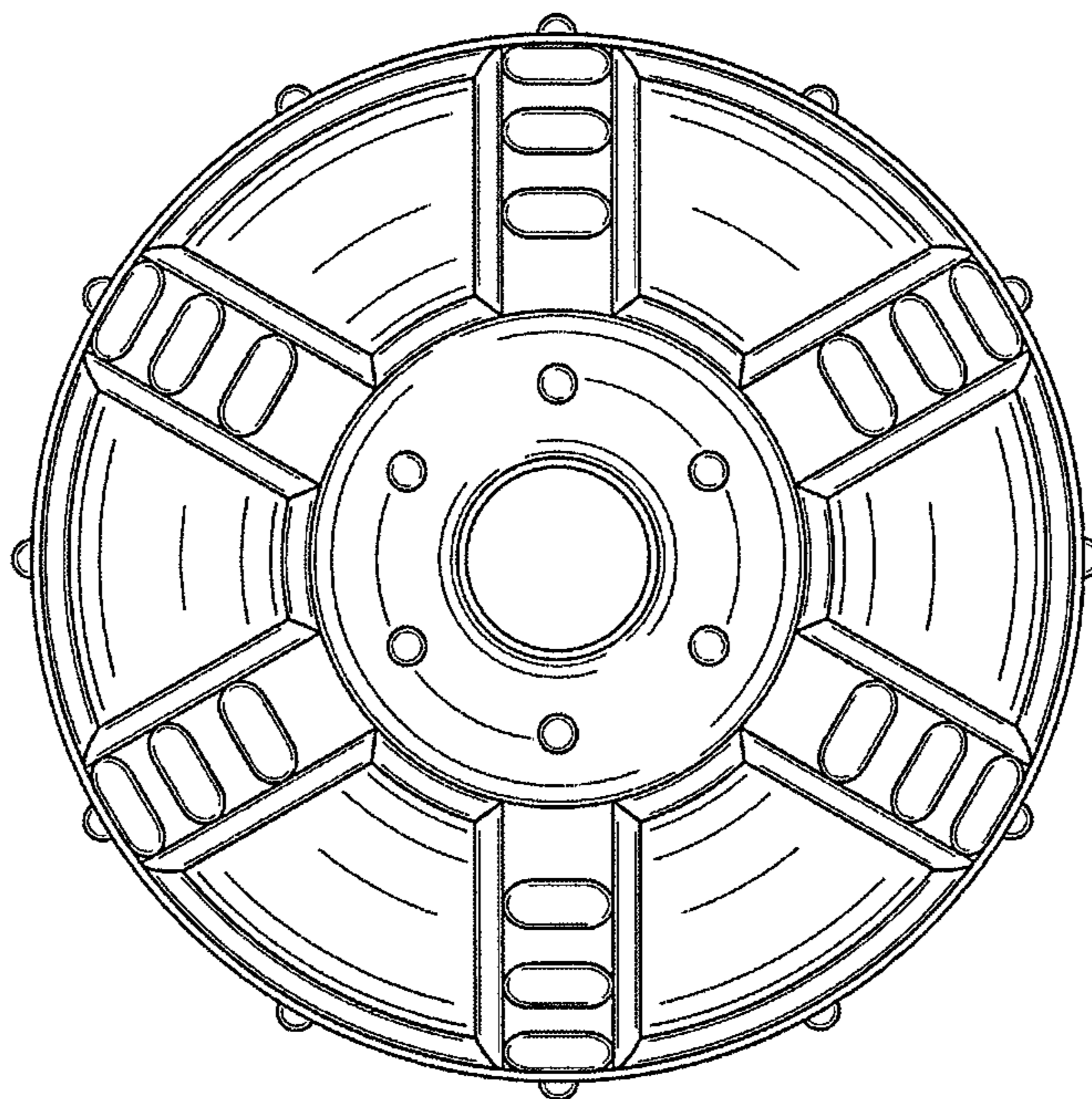


FIG. 4

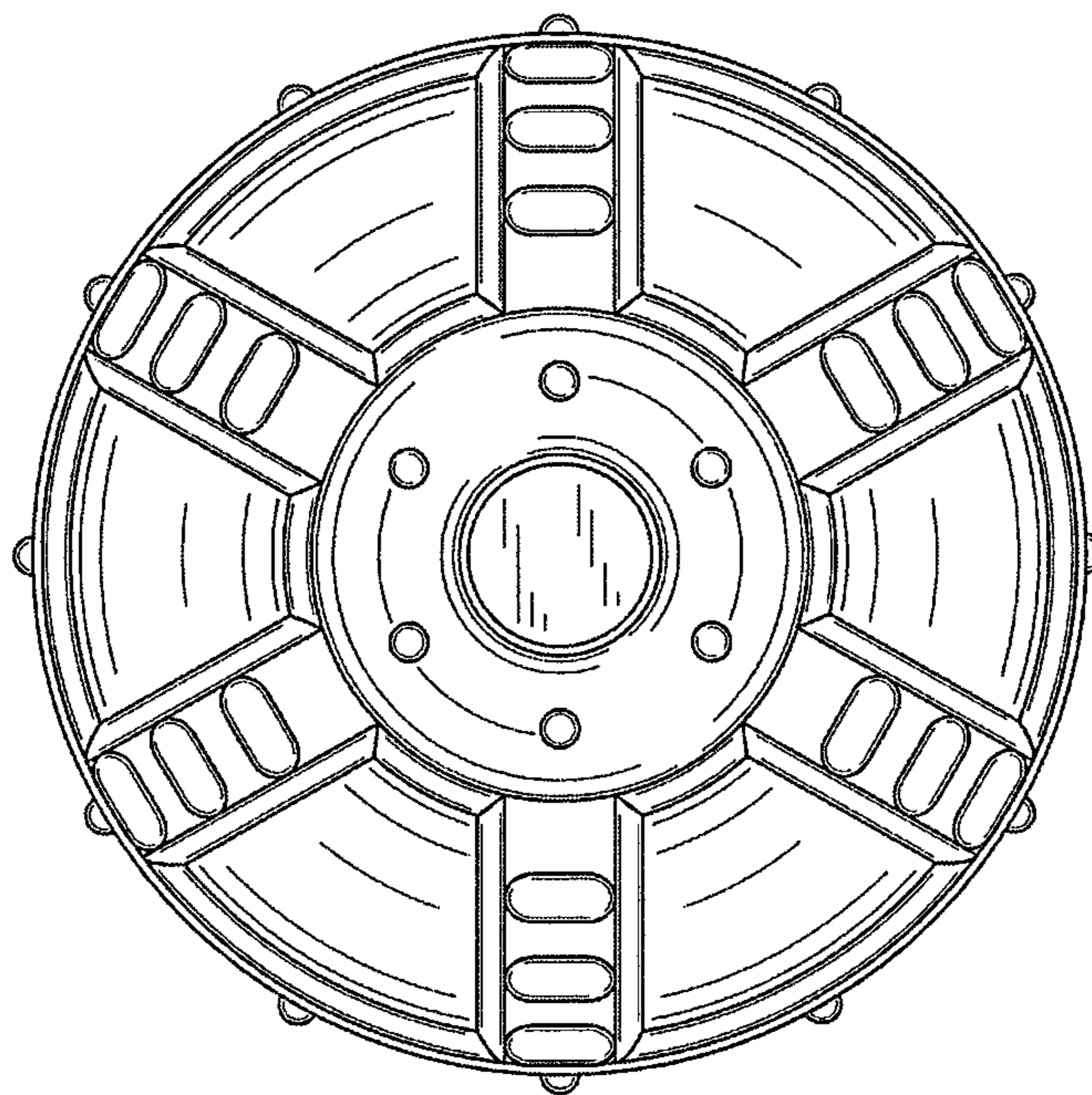


FIG. 5