



US00D680696S

(12) **United States Design Patent**
Hammel

(10) **Patent No.:** **US D680,696 S**
(45) **Date of Patent:** **** Apr. 23, 2013**

- (54) **PORTABLE DOG KENNEL WITH TRANSPARENT DOOR**
- (76) Inventor: **Jason Hammel**, New Orleans, LA (US)
- (**) Term: **14 Years**
- (21) Appl. No.: **29/419,795**
- (22) Filed: **May 1, 2012**

| | | | |
|-----------------|---------|------------------|---------|
| D353,030 S | 11/1994 | Fernandez | |
| D392,076 S | 3/1998 | Goemans | |
| 5,937,792 A | 8/1999 | Madrid | |
| 6,302,061 B1 | 10/2001 | Weatherby et al. | |
| 6,539,895 B2 | 4/2003 | Hoagland | |
| 7,036,458 B1 | 5/2006 | Stornant | |
| 7,201,116 B2 * | 4/2007 | Axelrod | 119/496 |
| D558,406 S | 12/2007 | King | |
| D566,907 S | 4/2008 | Barca | |
| D604,462 S | 11/2009 | Herndorf | |
| 2001/0029900 A1 | 10/2001 | Weber | |
| 2004/0139922 A1 | 7/2004 | Kost et al. | |
| 2007/0056524 A1 | 3/2007 | Barca | |

Related U.S. Application Data

- (66) Substitute for application No. 29/353,014, filed on Dec. 30, 2009, now abandoned.
- (51) **LOC (9) Cl.** **30-02**
- (52) **U.S. Cl.**
USPC **D30/108**
- (58) **Field of Classification Search** D30/108-109,
D30/112-117; 119/452-453, 482, 489, 496-498,
119/500-501
See application file for complete search history.

* cited by examiner

Primary Examiner — Cathy A MacCormac
(74) *Attorney, Agent, or Firm* — QuickPatents; Kevin Prince

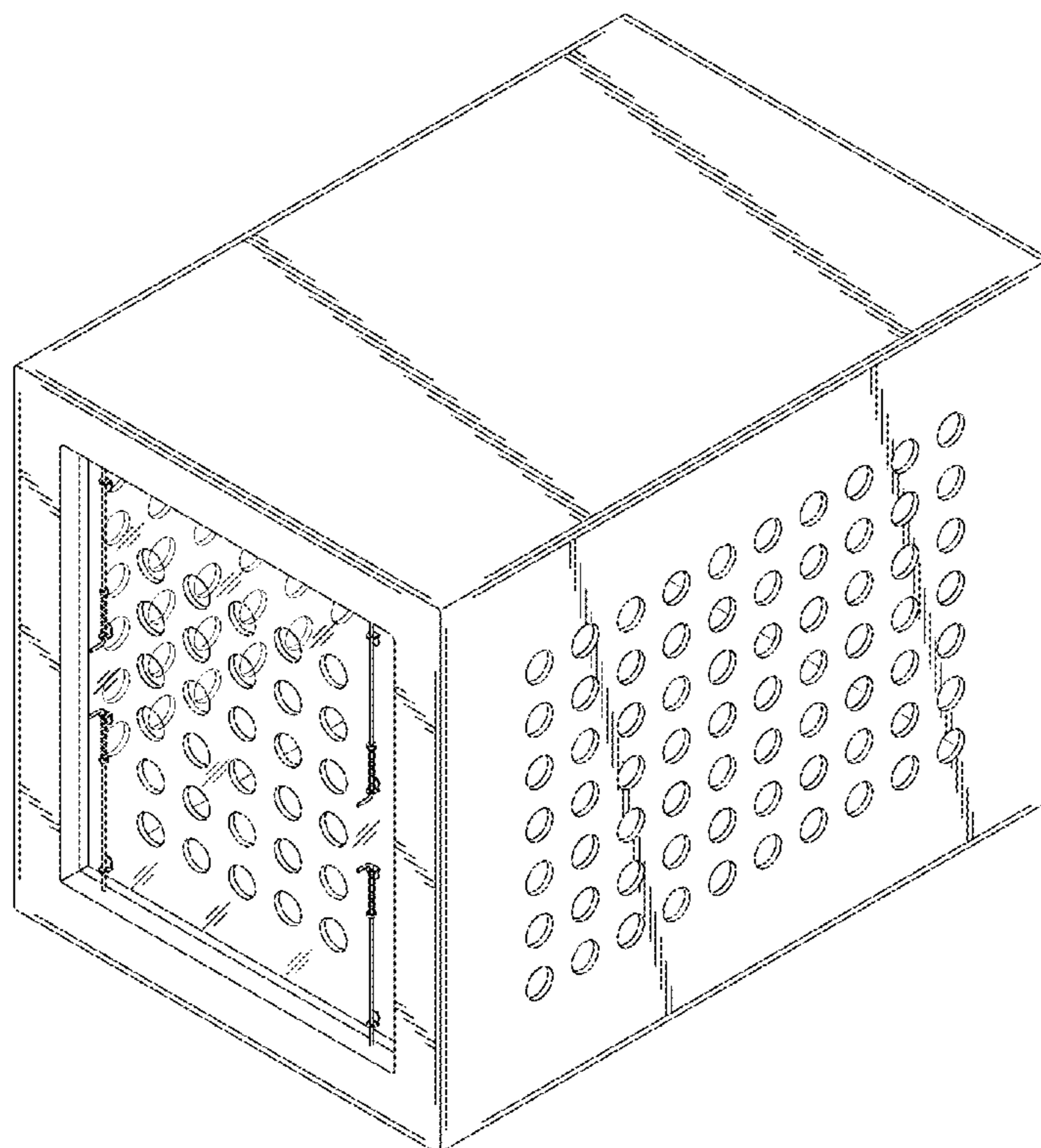
(57) **CLAIM**
I claim the ornamental design for a portable dog kennel with transparent door, as shown and described.

DESCRIPTION

FIG. 1 is a top perspective view of a portable dog kennel with transparent door, showing my new design;
FIG. 2 is a bottom perspective view thereof;
FIG. 3 is a front elevational view thereof;
FIG. 4 is a rear elevational view thereof;
FIG. 5 is a right-side elevational view thereof, the left-side elevational view being a mirror image thereof;
FIG. 6 is a top plan view thereof; and,
FIG. 7 is a bottom plan view thereof.

- (56) **References Cited**
U.S. PATENT DOCUMENTS
1,644,201 A 10/1927 Pallas, Jr.
3,428,026 A 2/1969 Sohmers et al.
3,611,994 A * 10/1971 Bailey et al. 119/496
D224,796 S 9/1972 Price et al.
3,834,352 A 9/1974 Gervis
3,865,425 A 2/1975 French
D331,821 S 12/1992 McDaniels, II

1 Claim, 4 Drawing Sheets



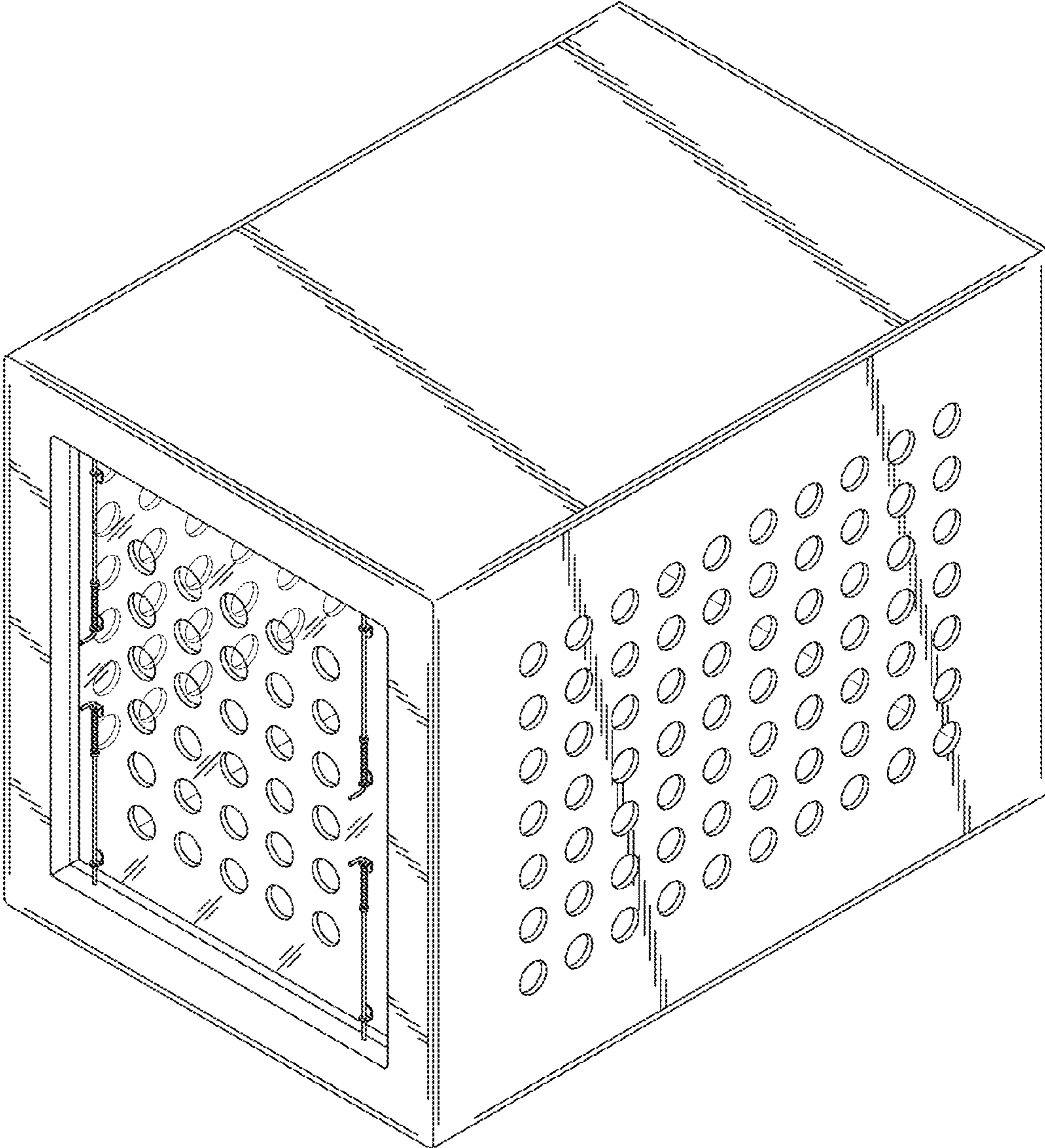


FIG. 1

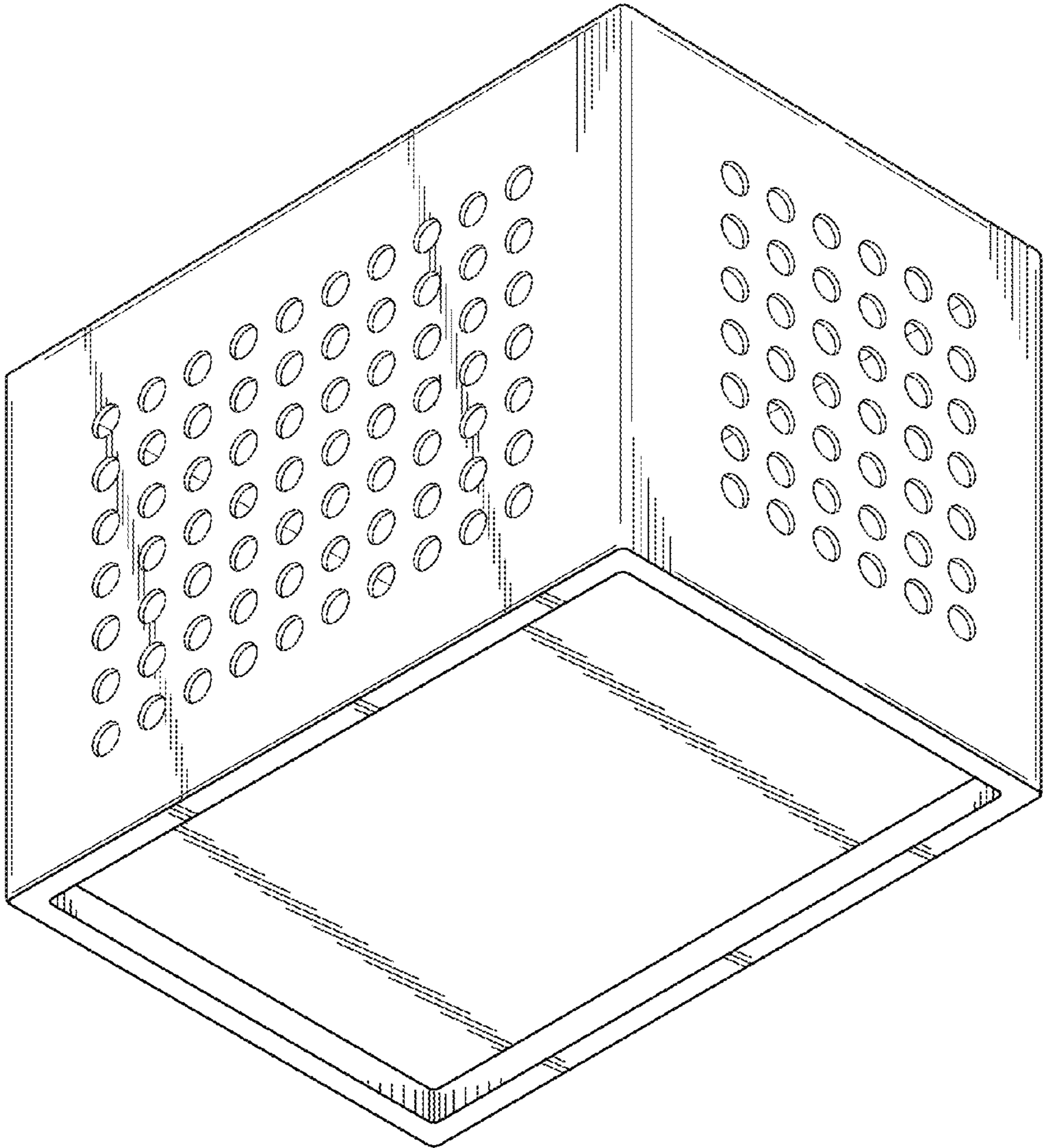


FIG. 2

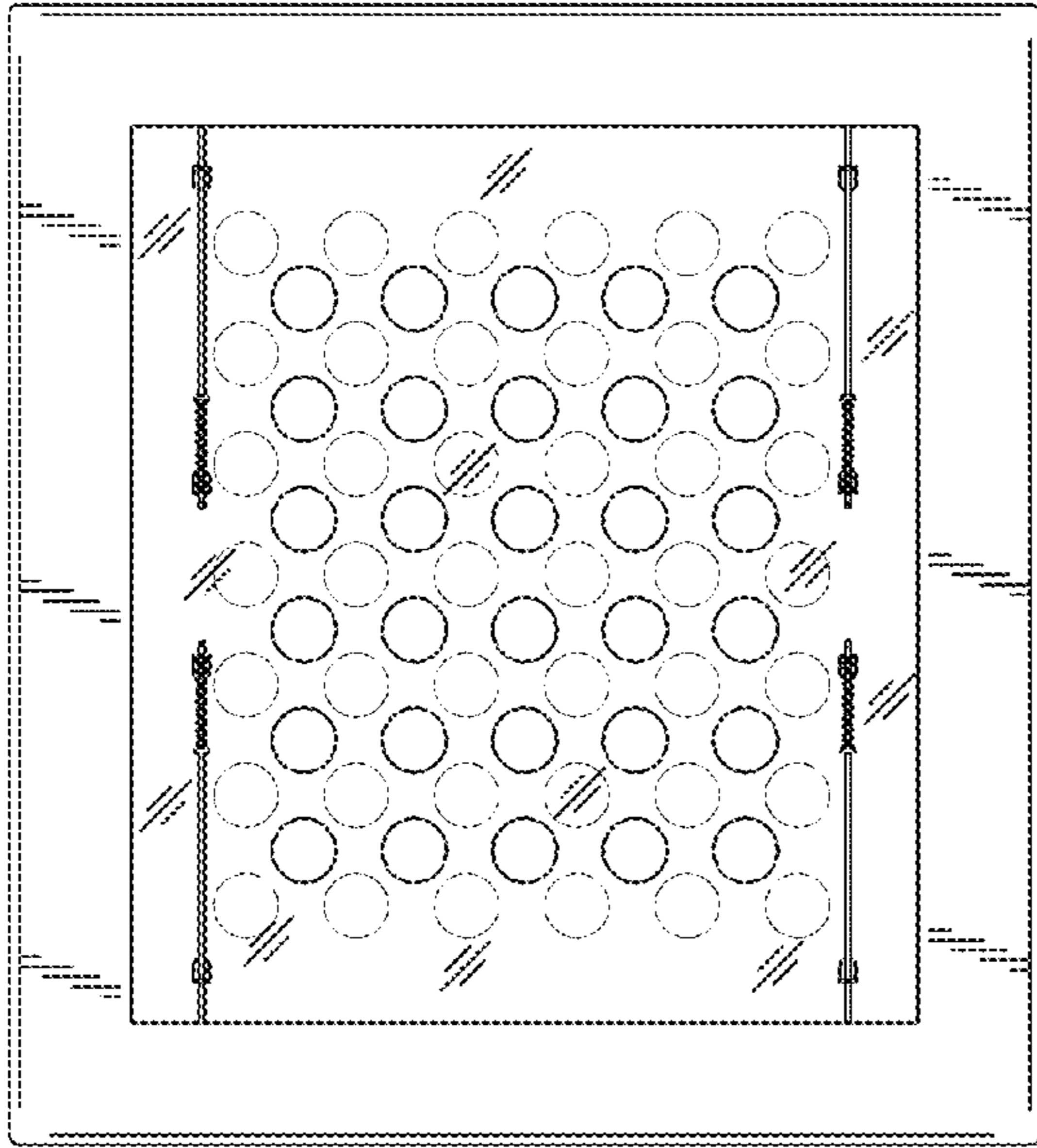


FIG. 3

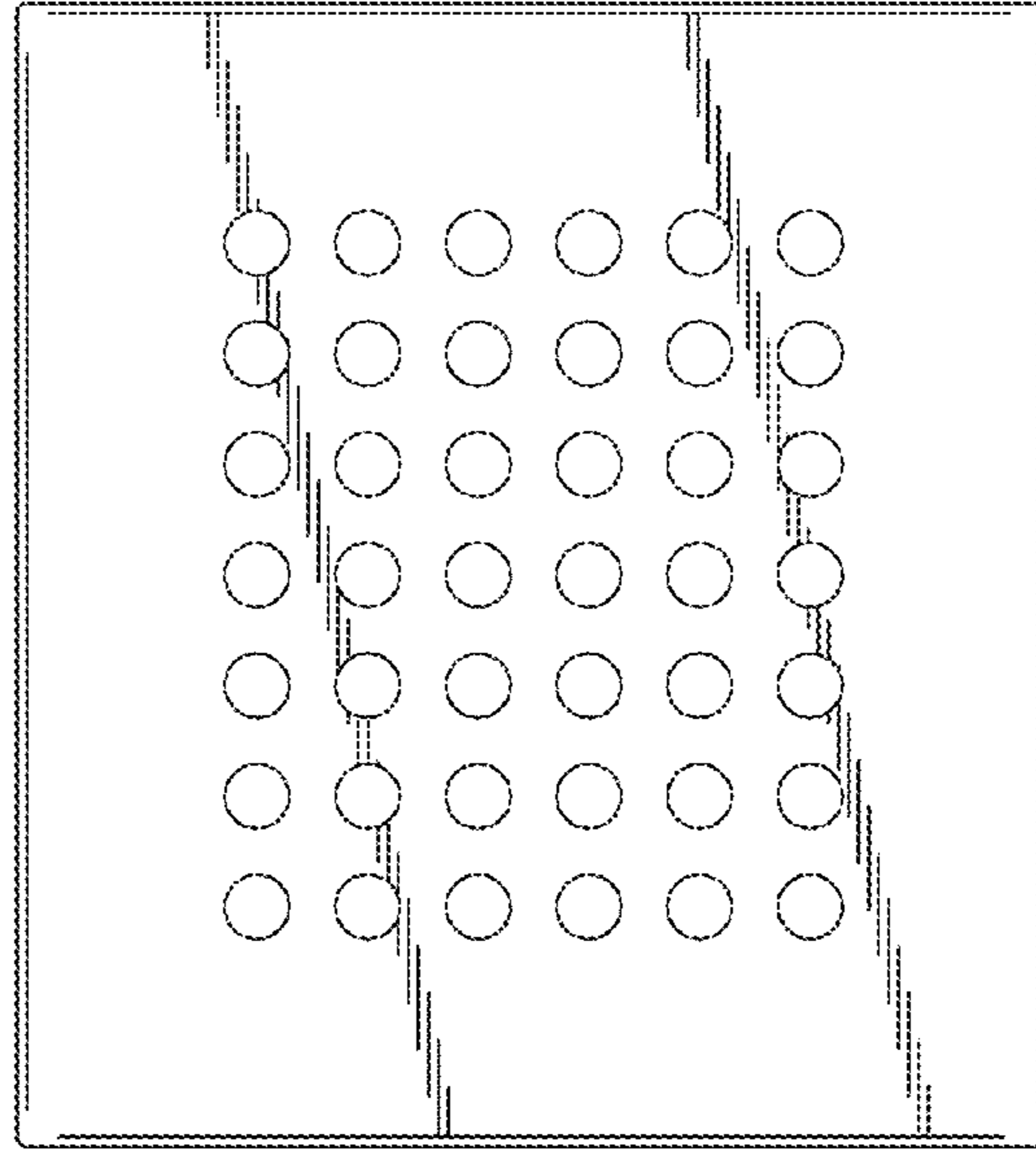


FIG. 4

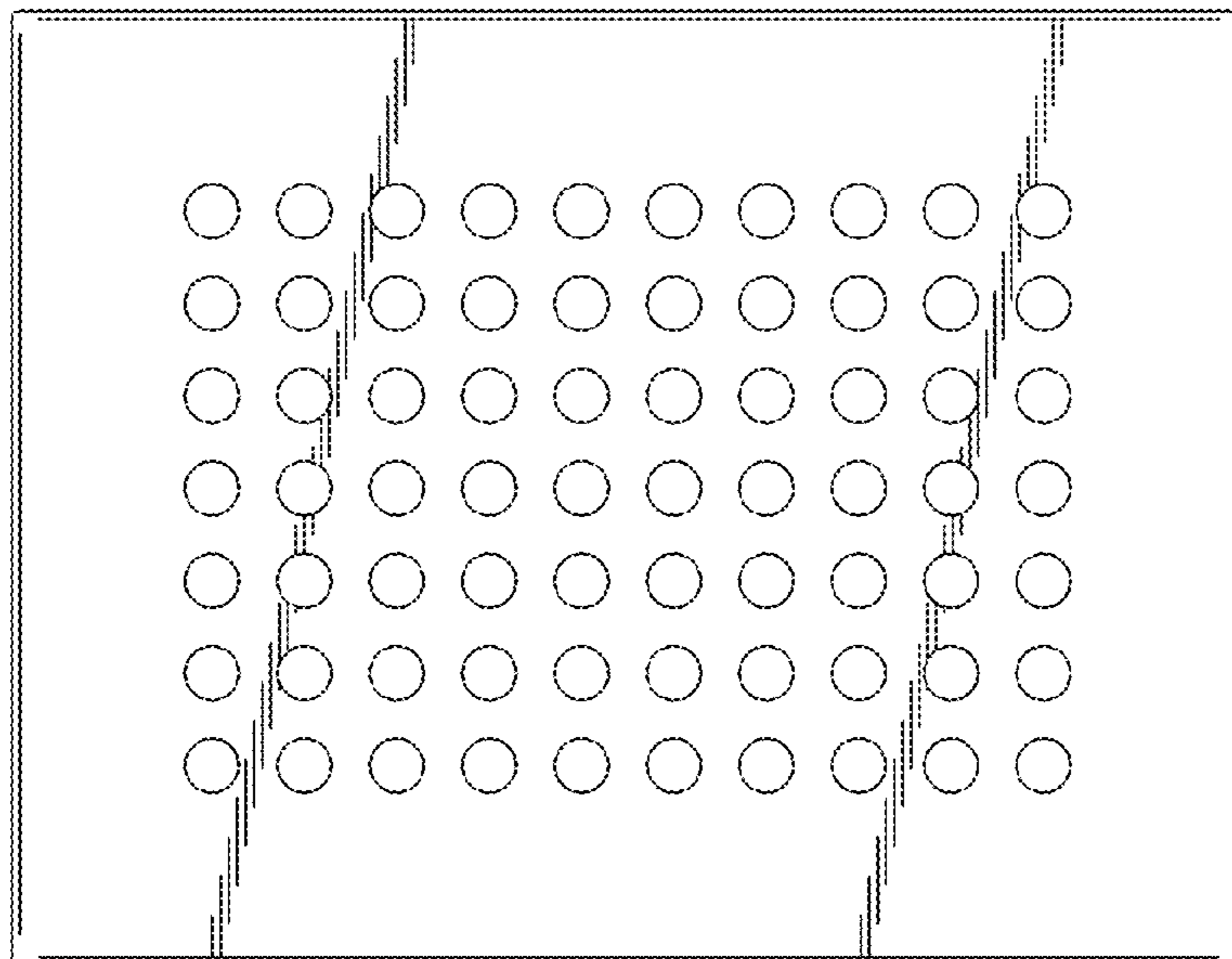


FIG. 5

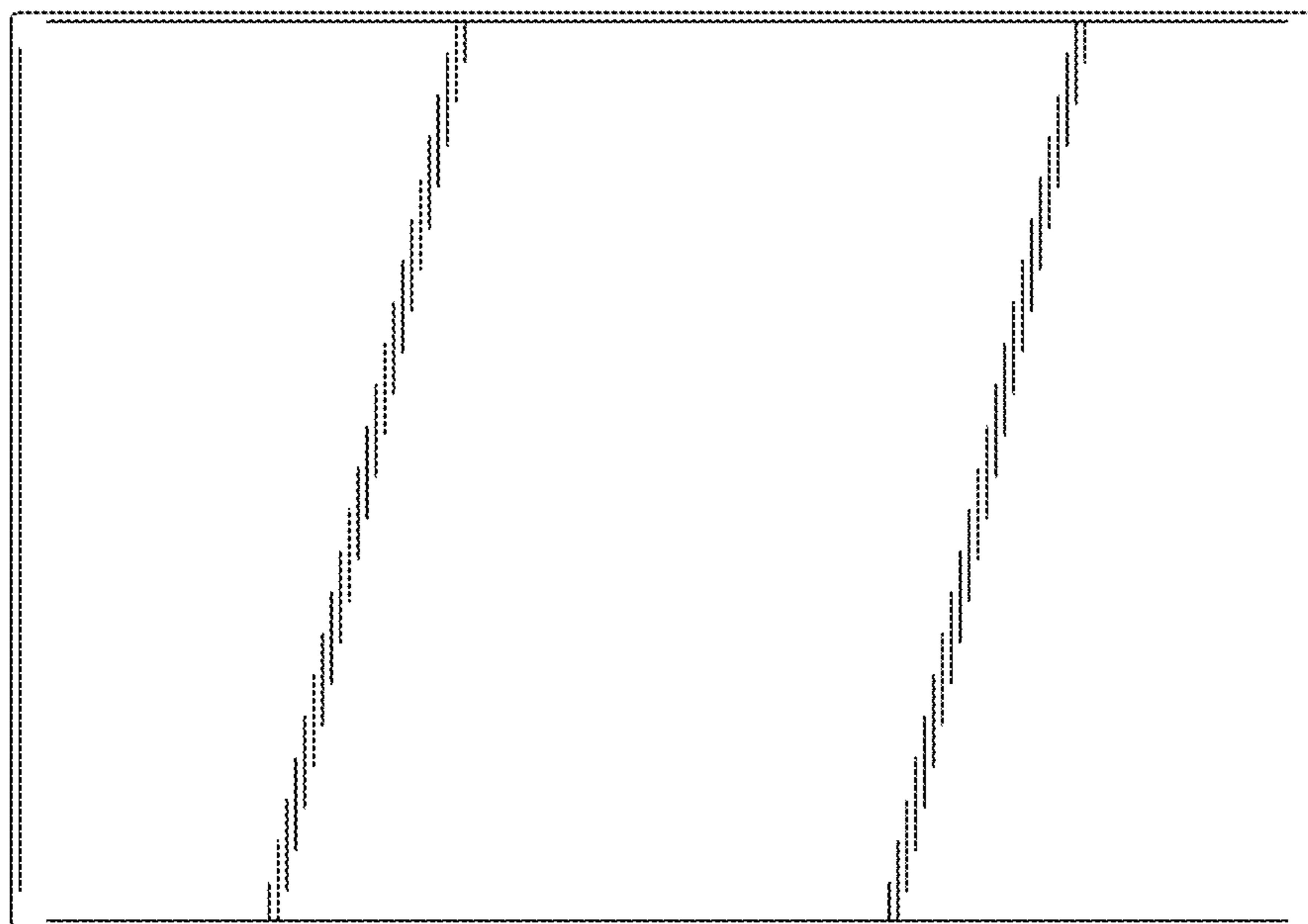


FIG. 6

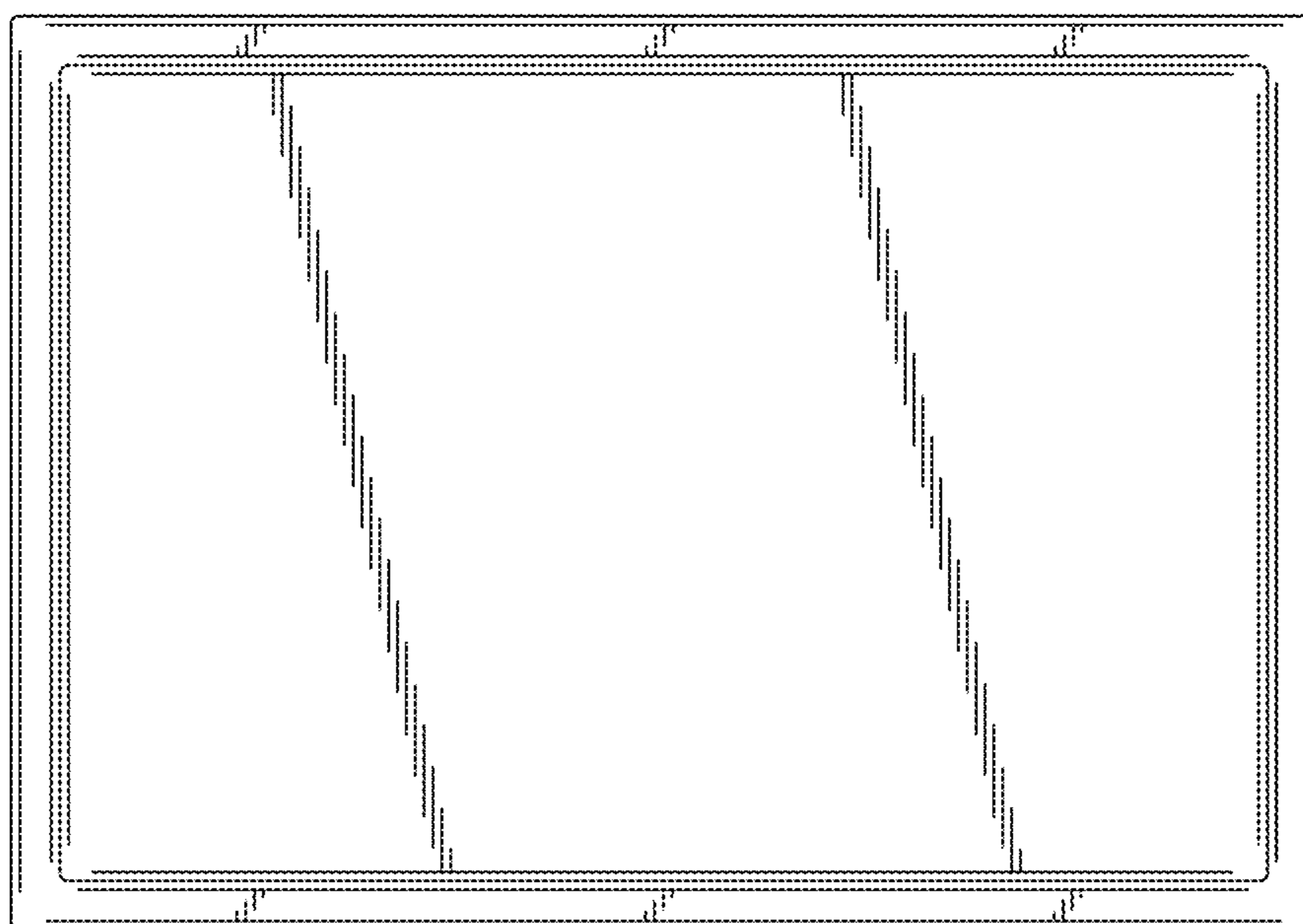


FIG. 7