



US00D680688S

(12) **United States Design Patent**
Grienay

(10) **Patent No.:** **US D680,688 S**

(45) **Date of Patent:** **** *Apr. 23, 2013**

(54) **BASE FOR USE WITH A HAIR APPLIANCE**

(75) Inventor: **Arnaud Grienay**, Lyons (FR)

(73) Assignee: **Calor**, Lyons (FR)

(*) Notice: This patent is subject to a terminal disclaimer.

(**) Term: **14 Years**

(21) Appl. No.: **29/398,760**

(22) Filed: **Aug. 4, 2011**

(30) **Foreign Application Priority Data**

Feb. 4, 2011 (EP) 001258396-0002

(51) **LOC (9) Cl.** **28-03**

(52) **U.S. Cl.**
USPC **D28/38; D28/73**

(58) **Field of Classification Search** D28/9-10,
D28/73-75, 38; 248/133, 146, 371, 117.1-117.7,
248/126; 206/558, 561, 562-566, 581, 823;
219/242, 222; 211/70.6, 73, 74, 26, 69.5;
D6/571, 467; 132/309
See application file for complete search history.

(56) **References Cited**

U.S. PATENT DOCUMENTS

- 3,964,708 A * 6/1976 Reeves 248/126
- 5,169,102 A * 12/1992 Bracken 248/117.3
- D360,485 S * 7/1995 Simonelli D28/73
- D371,220 S * 6/1996 Behrens D28/38
- 5,727,701 A * 3/1998 Rhoades 211/70.6
- 5,890,649 A * 4/1999 Baxter 229/182.1
- RE37,535 E * 2/2002 Avery et al. 132/309
- D513,346 S * 12/2005 Buck, Jr. D28/73
- D536,483 S 2/2007 Lun et al.
- D606,251 S 12/2009 Leung
- D606,255 S 12/2009 Leung
- D621,638 S * 8/2010 Meech et al. D6/467

(Continued)

FOREIGN PATENT DOCUMENTS

EM 001054423-0002 12/2008
EM 001135875-0014 5/2009

(Continued)

OTHER PUBLICATIONS

U.S. Appl. No. 29/398,757, filed Aug. 4, 2011, Grienay.

(Continued)

Primary Examiner — Jennifer Rivard

(74) *Attorney, Agent, or Firm* — Loeb & Loeb LLP

(57) **CLAIM**

The ornamental design for a base for use with a hair appliance, as shown and described.

DESCRIPTION

FIG. 1 is a perspective view of an embodiment of a base for use with a hair appliance.

FIG. 2 is a left side elevational view of the base for use with a hair appliance of FIG. 1.

FIG. 3 is a right side elevational view of the base for use with a hair appliance of FIG. 1.

FIG. 4 is a top plan view of the base for use with a hair appliance of FIG. 1.

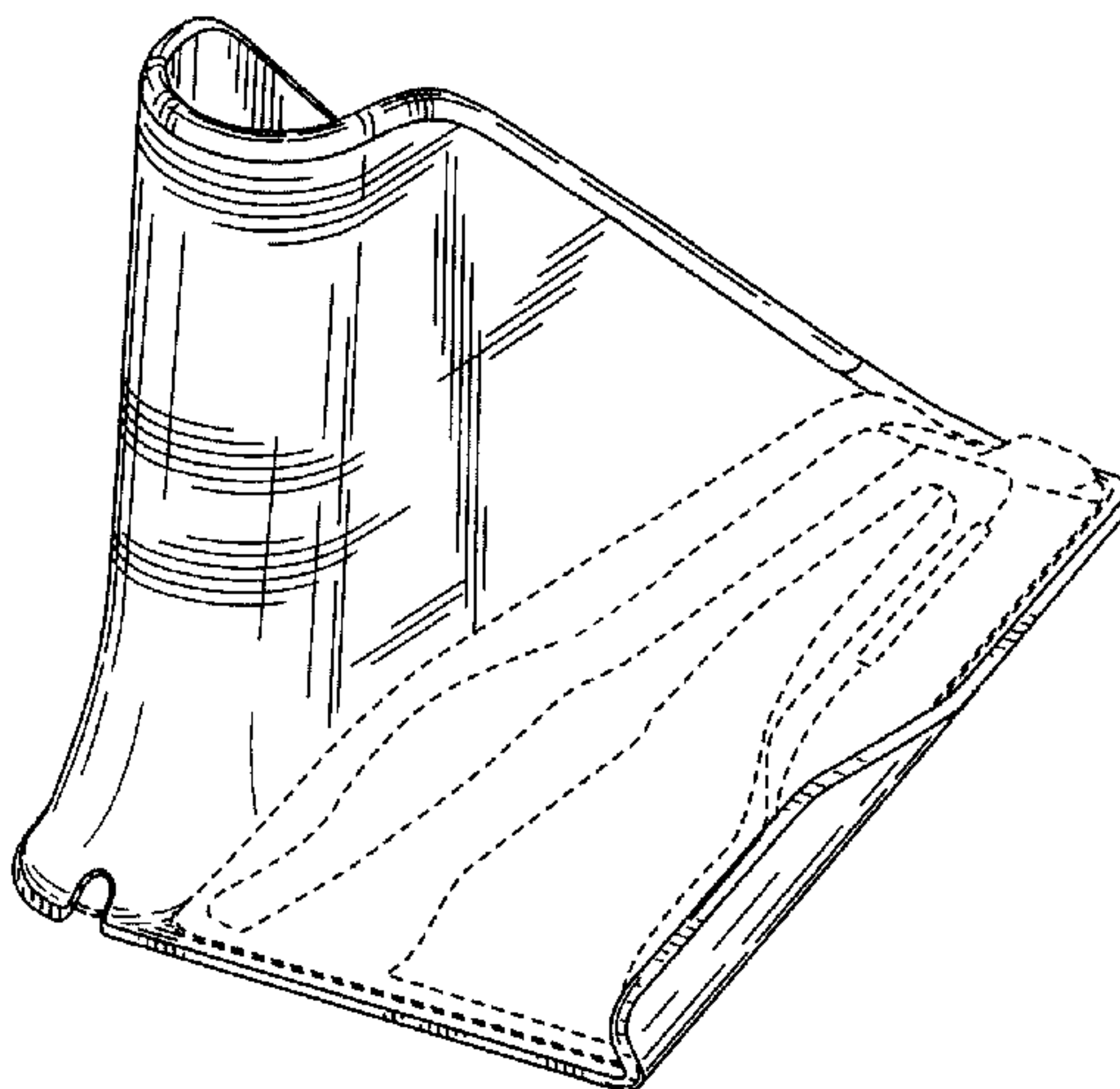
FIG. 5 is a bottom plan view of the base for use with a hair appliance of FIG. 1.

FIG. 6 is a front elevational view of the base for use with a hair appliance of FIG. 1; and,

FIG. 7 is rear elevational view of the base for use with a hair appliance of FIG. 1.

The broken lines appearing in the figures are for the purpose of illustrating the environmental structure of the article of the claimed design and form no part of the claimed design.

1 Claim, 4 Drawing Sheets



US D680,688 S

Page 2

U.S. PATENT DOCUMENTS

D627,926 S 11/2010 Nenadich
D638,581 S * 5/2011 Blaisdell D28/73
D643,974 S 8/2011 Renault
D649,288 S 11/2011 Koehler
2003/0222069 A1* 12/2003 Sena et al. 219/222
2009/0159093 A1 6/2009 Yu

FOREIGN PATENT DOCUMENTS

EM 001135875-0015 5/2009
EM 001135875-0017 5/2009
EM 001168165-0001 9/2009
EP 000112784-0001 12/2003
EP 000903547-0001 3/2008

EP 000997994-0001 9/2008
EP 001054423-0001 12/2008
EP 001100614-0001 3/2009
EP 001135875-0012 5/2009
EP 001150510-0001 7/2009
EP 001150510-0002 7/2009
EP 001190623-0001 1/2010
WO DM/072796 12/2009

OTHER PUBLICATIONS

U.S. Appl. No. 29/398,759, filed Aug. 4, 2011, Grienay.

* cited by examiner

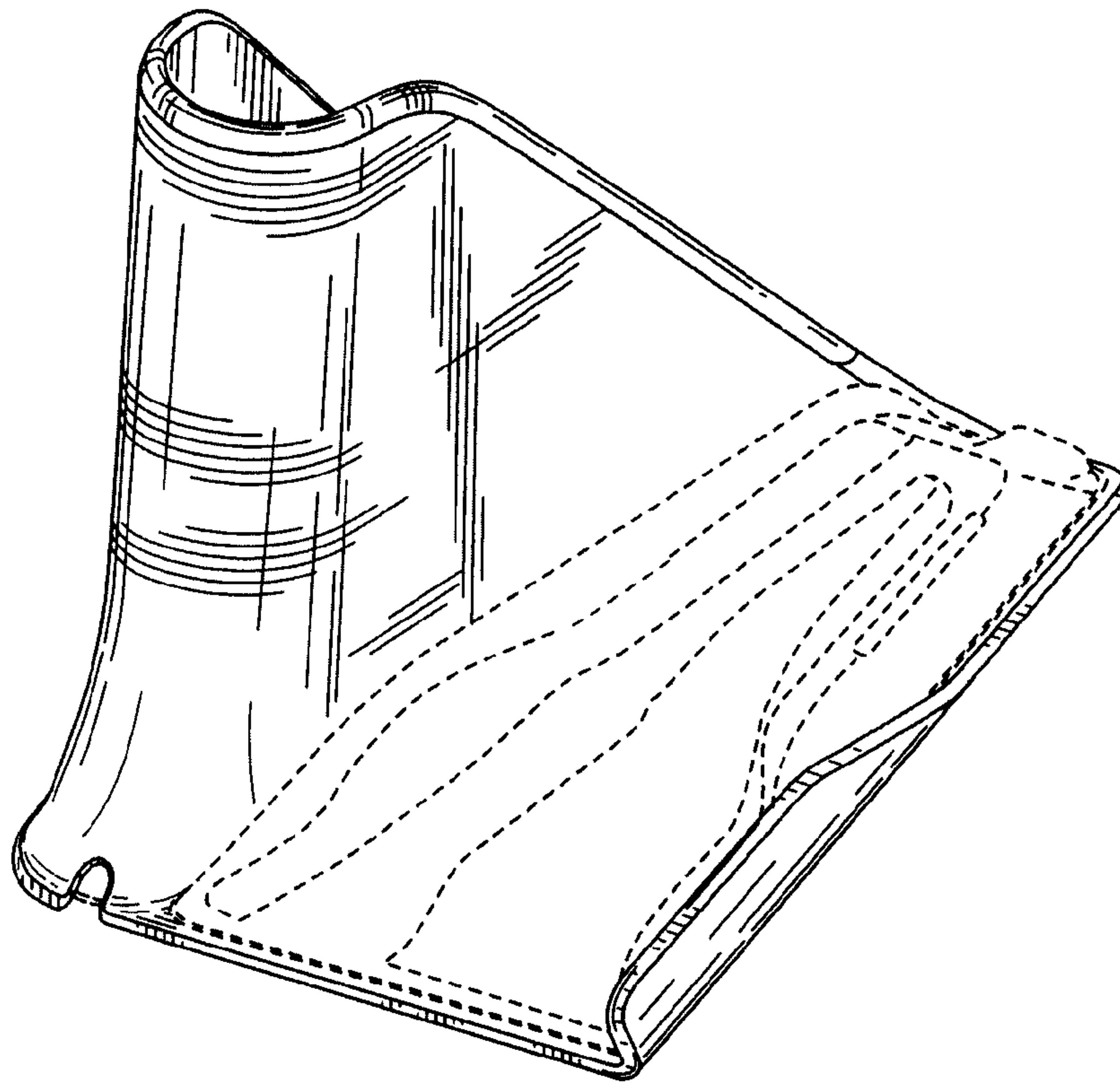


FIG. 1

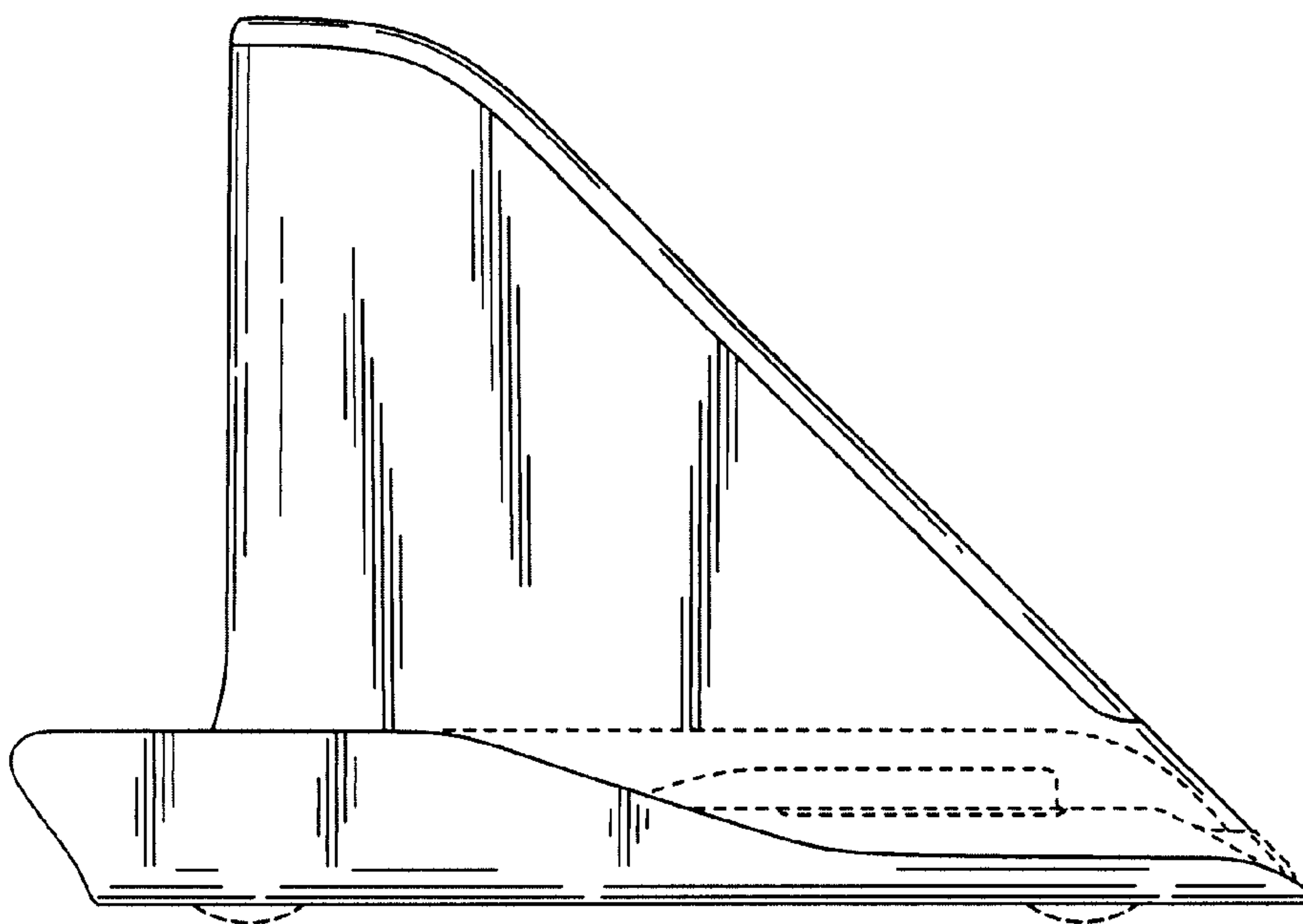


FIG. 2

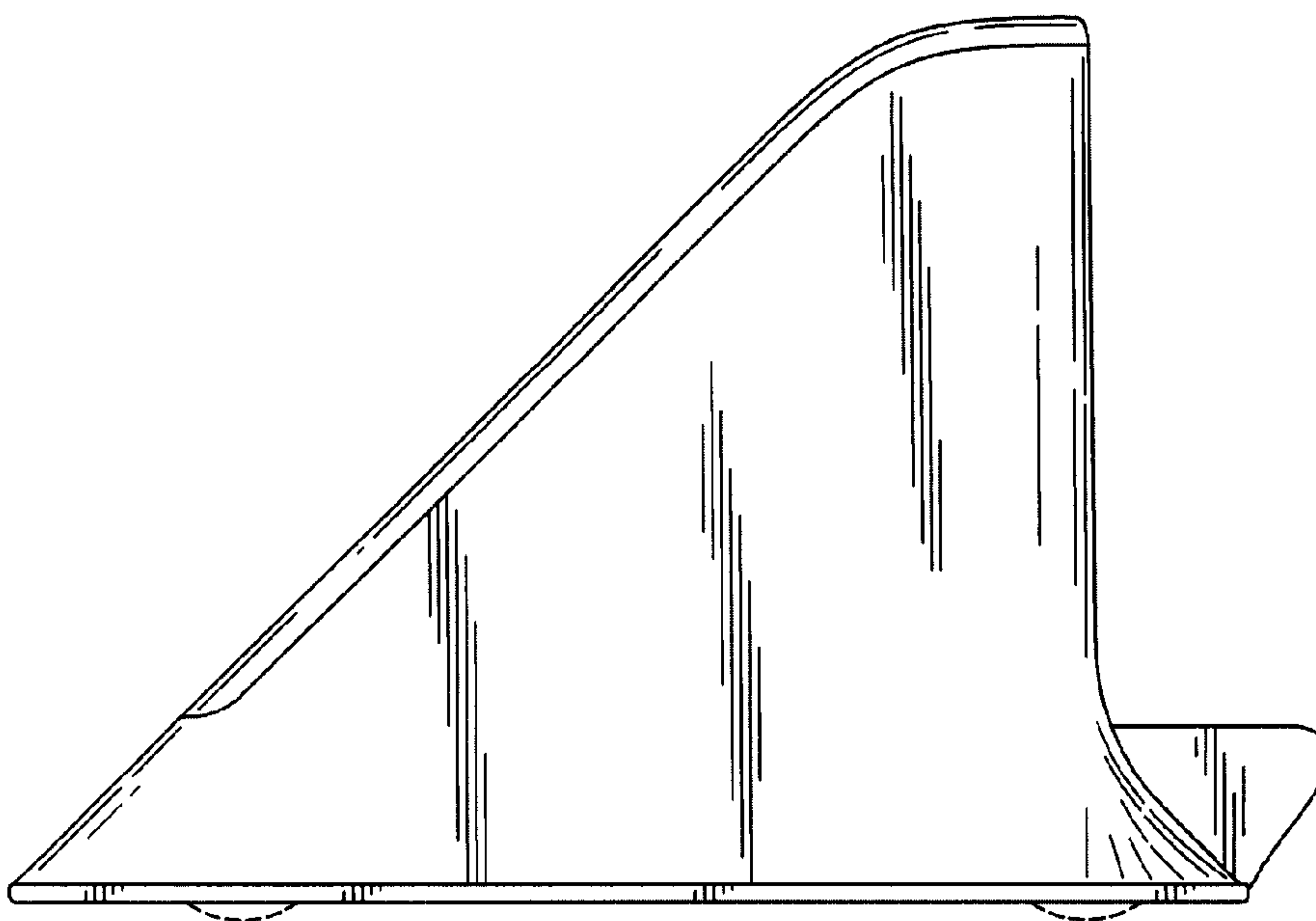


FIG. 3

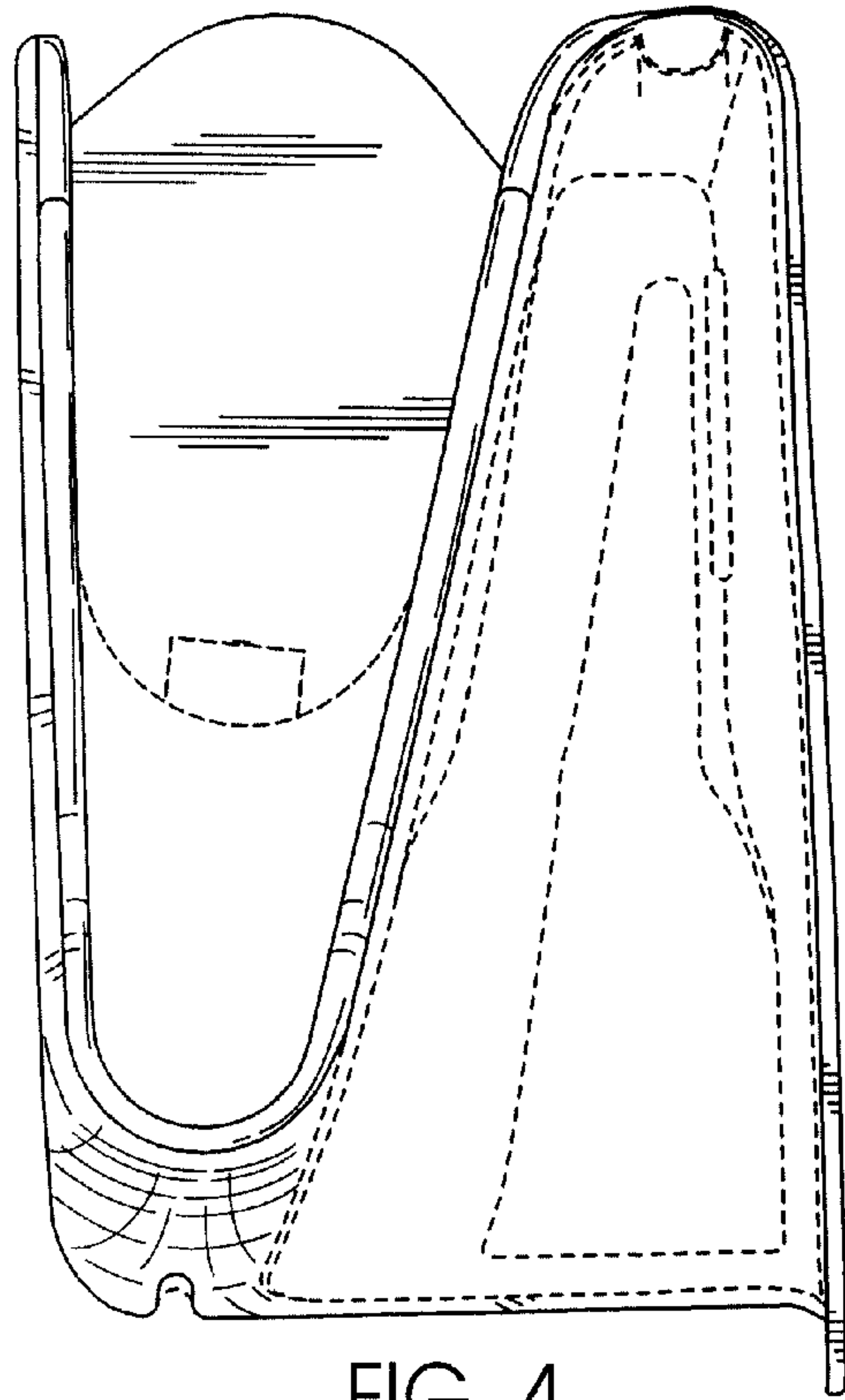


FIG. 4

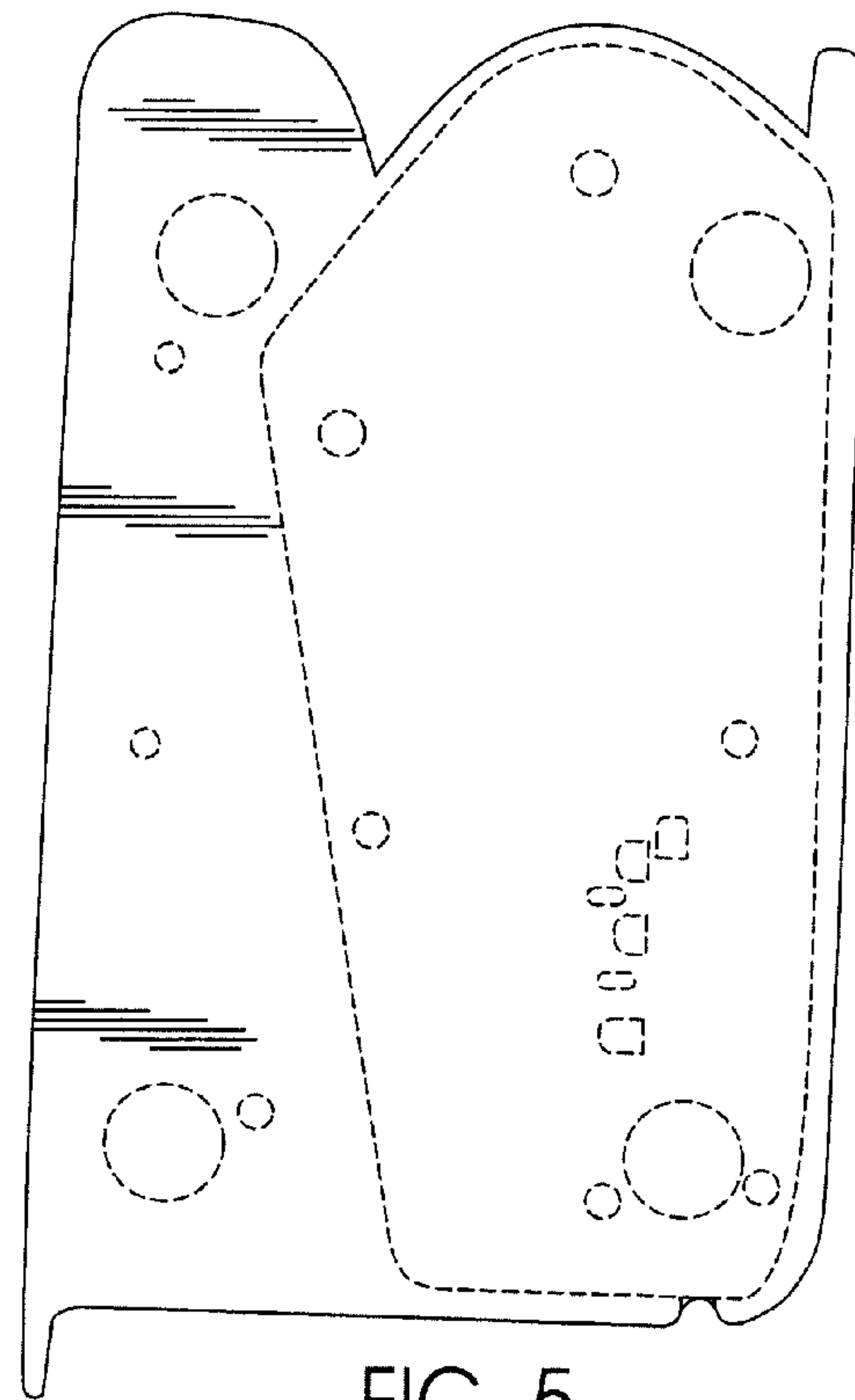


FIG. 5

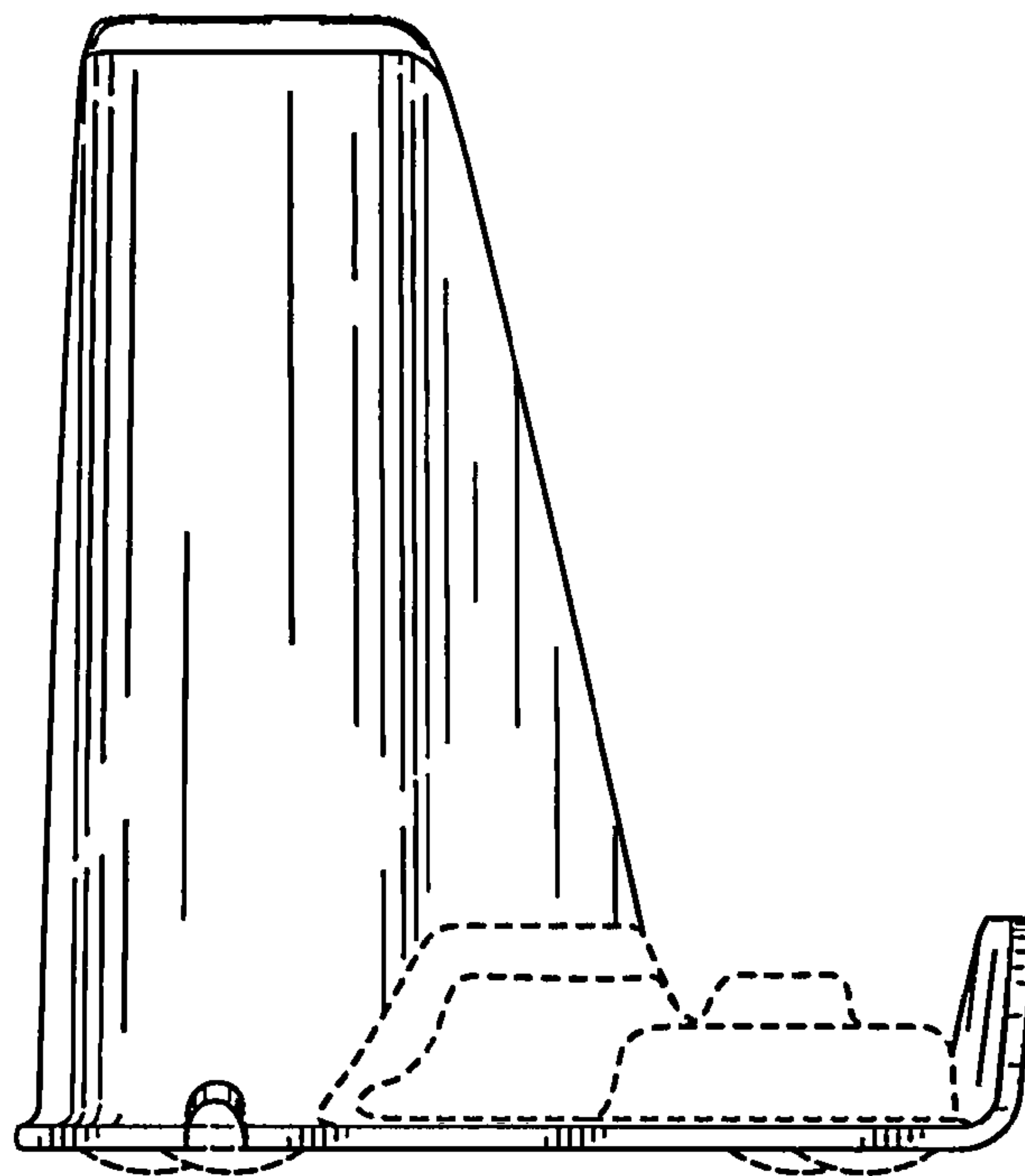


FIG. 6

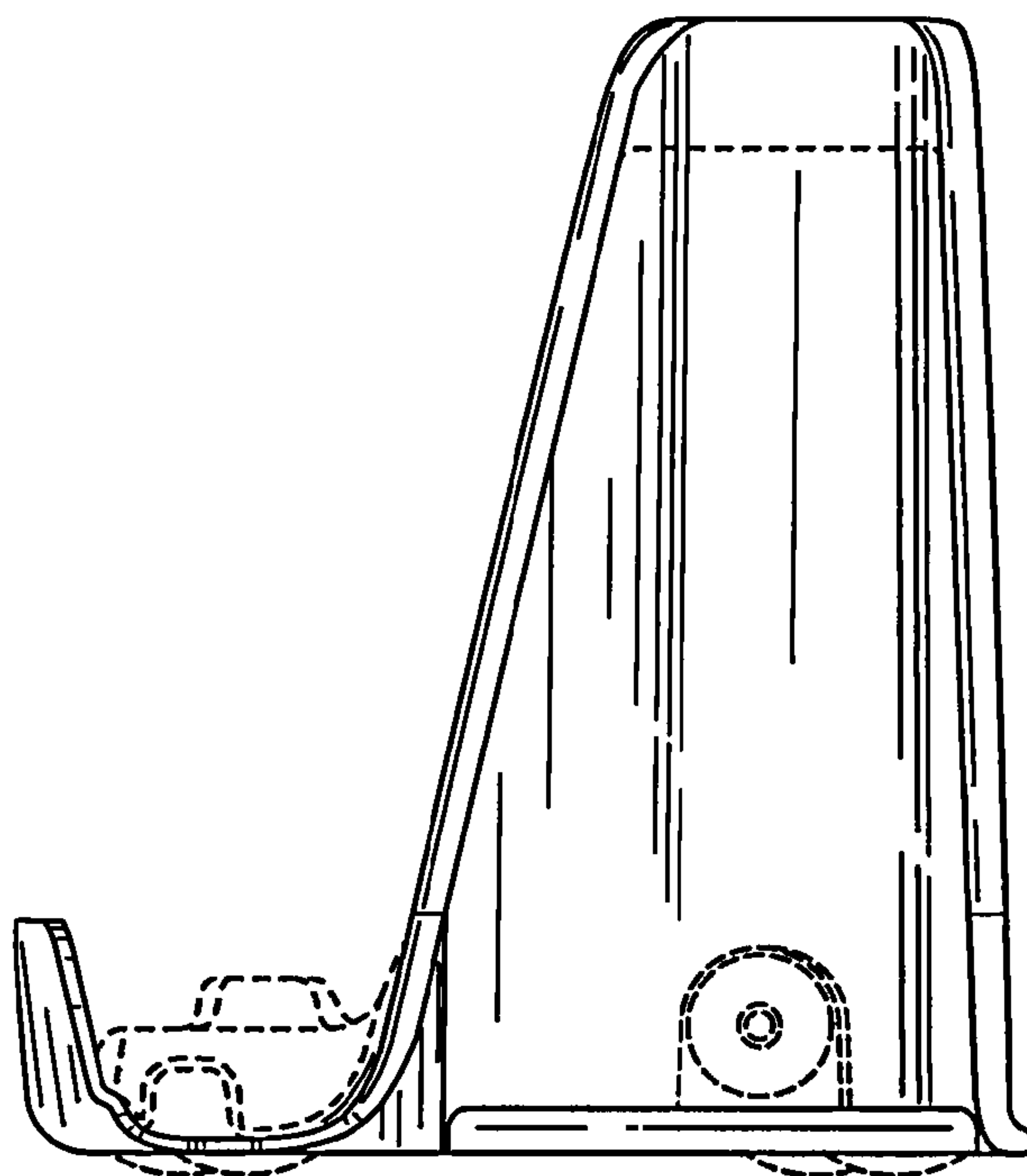


FIG. 7