



US00D680686S

(12) **United States Design Patent**  
**Drought et al.**

(10) **Patent No.:** **US D680,686 S**

(45) **Date of Patent:** **\*\* Apr. 23, 2013**

(54) **SET OF CAPSULES CONTAINING WASHING PRODUCTS**

(75) Inventors: **Nick Drought**, Cambridge (GB); **Lucia Krubasik**, Ludwigshafen (DE); **Pavlinka Roy**, Ludwigshafen (DE); **Jordi Salvador**, Barcelona (ES)

(73) Assignee: **Reckitt Benckiser N.V.**, WT Hoofddorp (NL)

(\*\*) Term: **14 Years**

(21) Appl. No.: **29/413,345**

(22) Filed: **Feb. 14, 2012**

(30) **Foreign Application Priority Data**

Aug. 25, 2011 (EM) ..... 001290878-0007

(51) **LOC (9) Cl.** ..... **28-02**

(52) **U.S. Cl.**  
USPC ..... **D28/8.1**

(58) **Field of Classification Search** ..... D28/8.1-8.2,  
D28/4; D9/707, 710, 715, 414, 424-428;  
510/141-148, 194, 276, 224, 277, 294-298,  
510/439-450, 514, 520, 523

See application file for complete search history.

(56) **References Cited**

U.S. PATENT DOCUMENTS

|           |    |   |        |                |       |         |
|-----------|----|---|--------|----------------|-------|---------|
| D444,595  | S  | * | 7/2001 | Ide et al.     | ..... | D28/8.1 |
| 7,105,478 | B2 | * | 9/2006 | Guzmann et al. | ..... | 510/439 |
| D565,243  | S  | * | 3/2008 | Denome et al.  | ..... | D28/8.1 |
| D665,530  | S  | * | 8/2012 | Gaertner       | ..... | D28/8.1 |

\* cited by examiner

*Primary Examiner* — Jennifer Rivard

(74) *Attorney, Agent, or Firm* — Norris McLaughlin & Marcus PA

(57) **CLAIM**

The ornamental design for set of capsules containing washing products, as shown and described.

**DESCRIPTION**

FIG. 1 is a perspective view of our set of capsules containing washing products;

FIG. 2 is a left side elevational view thereof;

FIG. 3 is a right side elevational view thereof;

FIG. 4 is a front elevational view thereof;

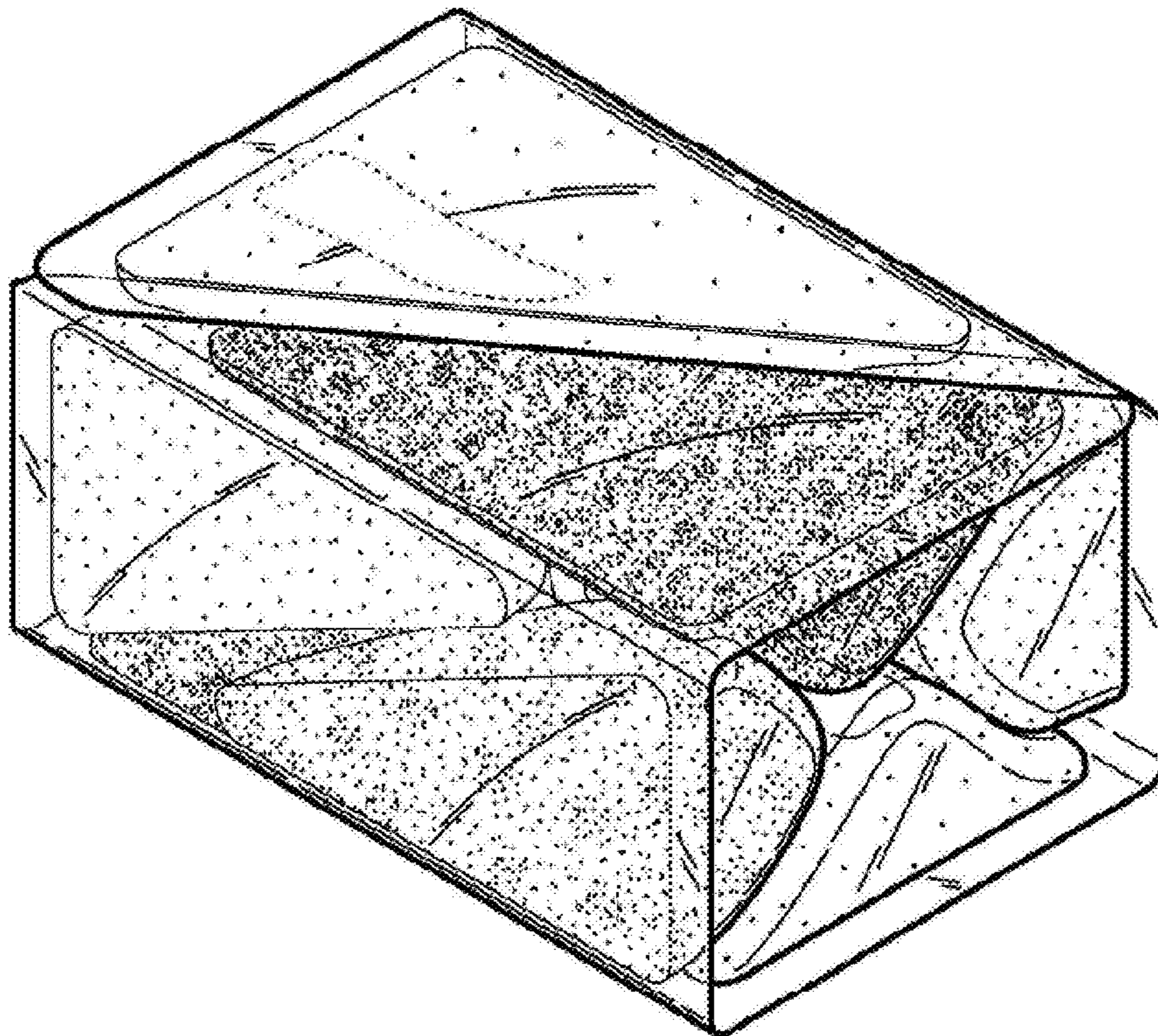
FIG. 5 is a rear elevational view thereof;

FIG. 6 is a top plan view thereof; and,

FIG. 7 is a bottom plan view thereof.

The broken lines shown in FIGS. 1, 6 and 7 define the bounds of the claim and form no part of the claimed design.

**1 Claim, 2 Drawing Sheets**



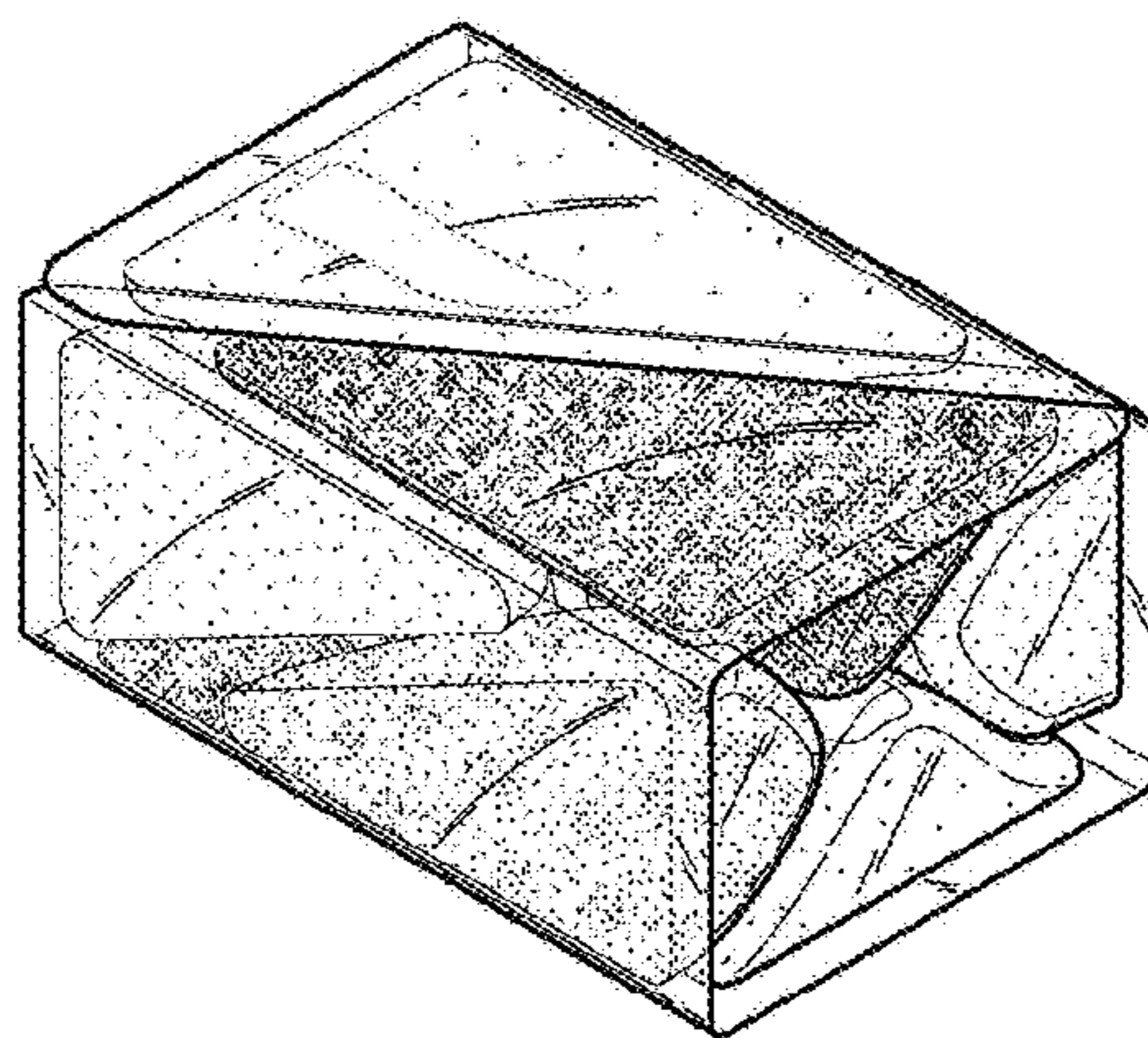


Fig. 1

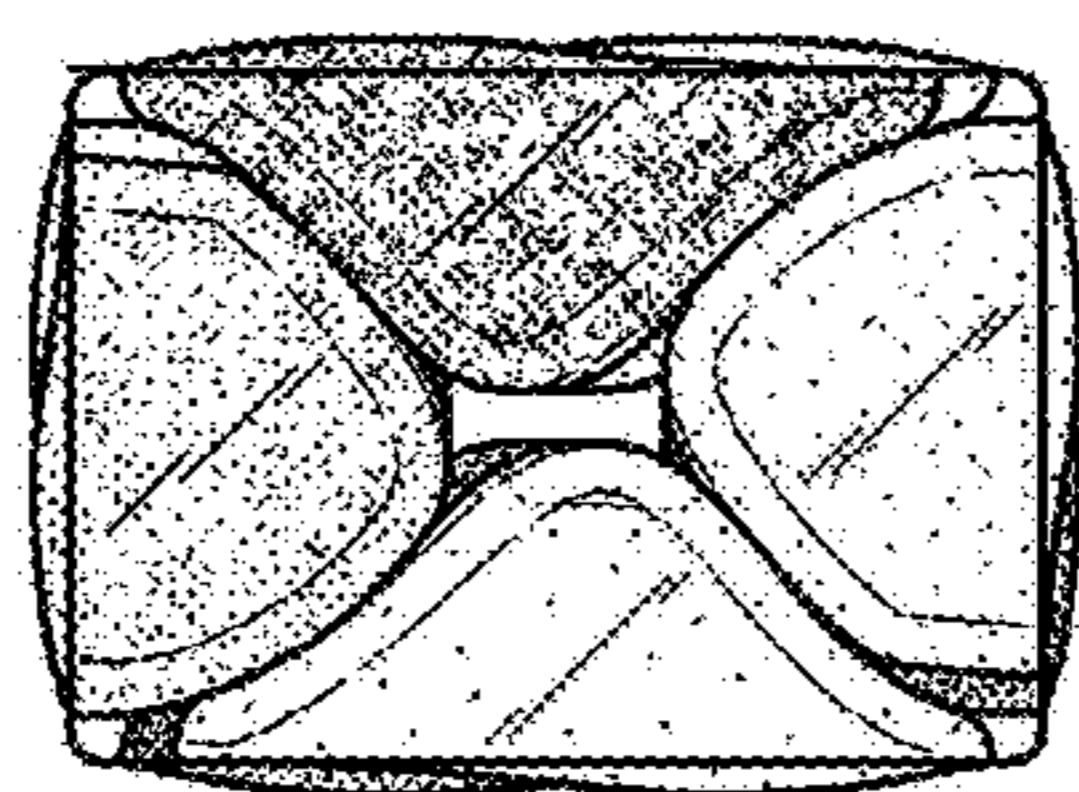


Fig. 2

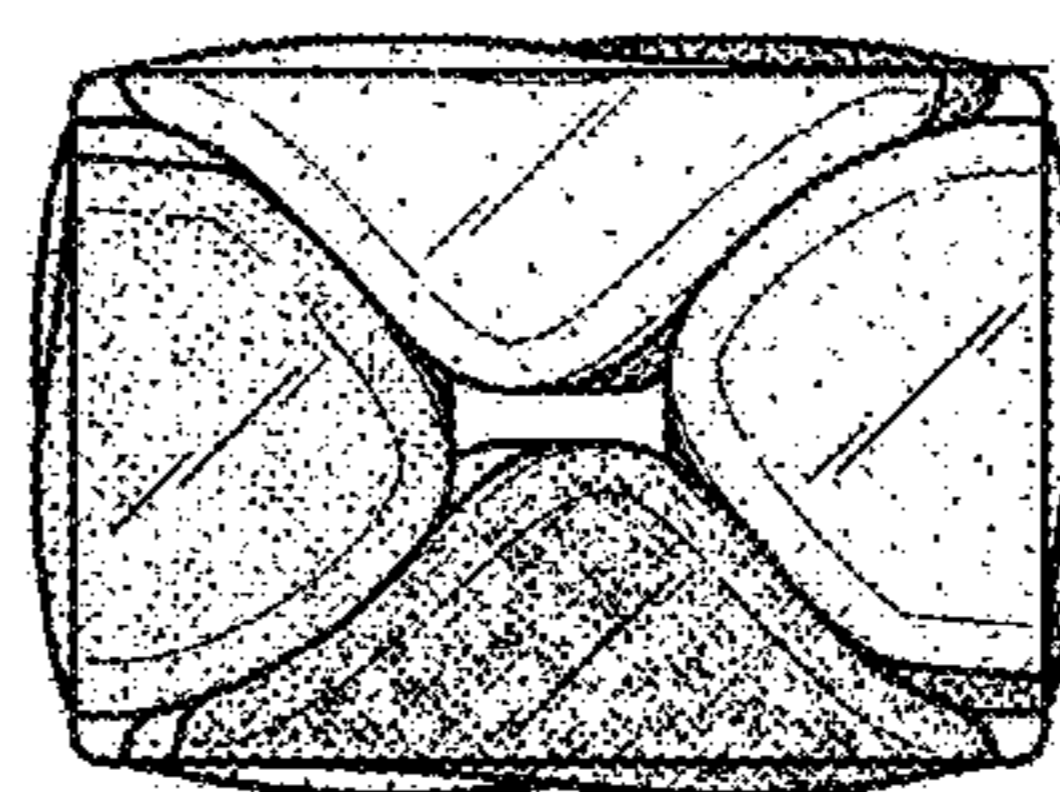


Fig. 3



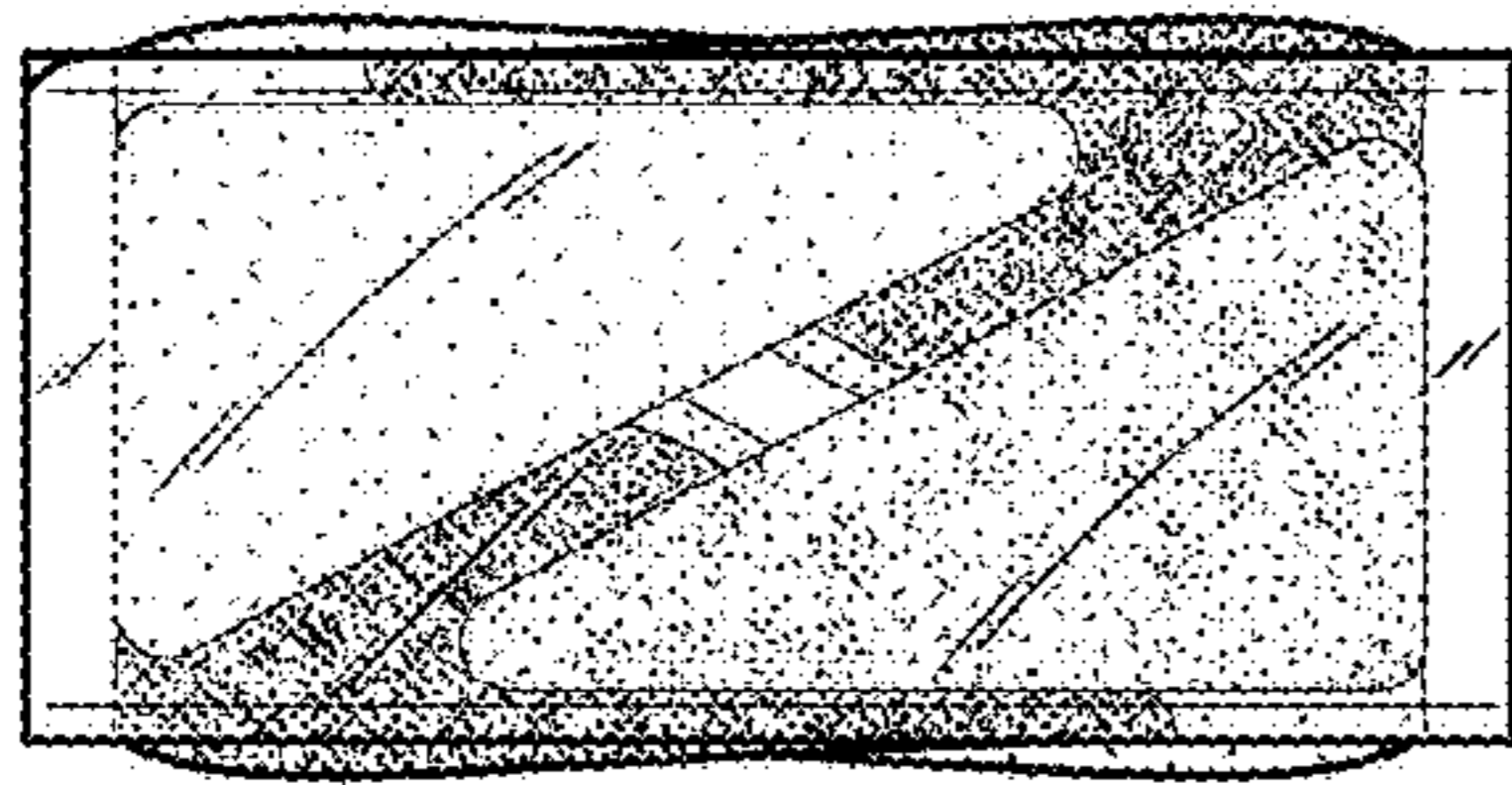


Fig. 4

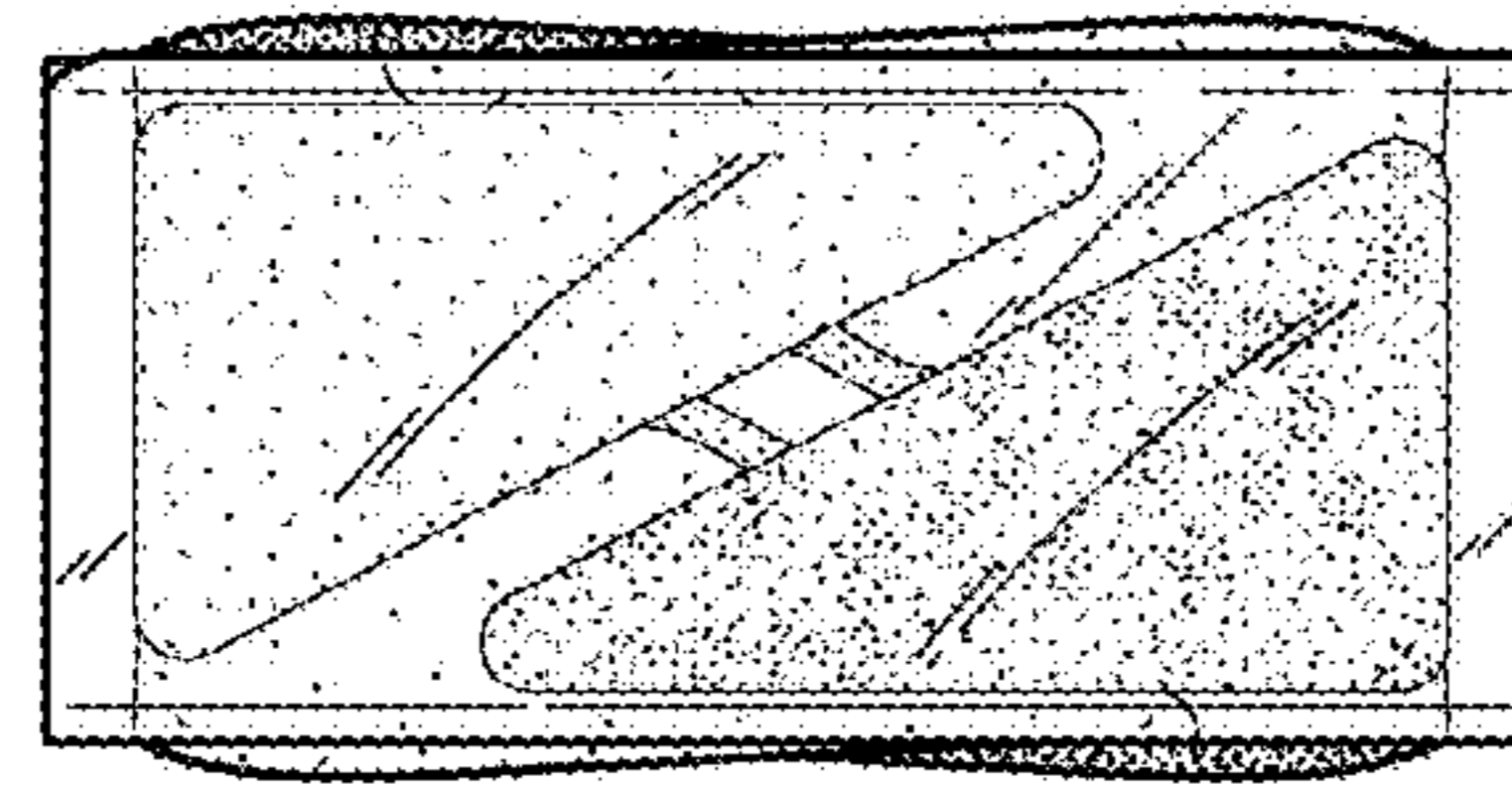


Fig. 5

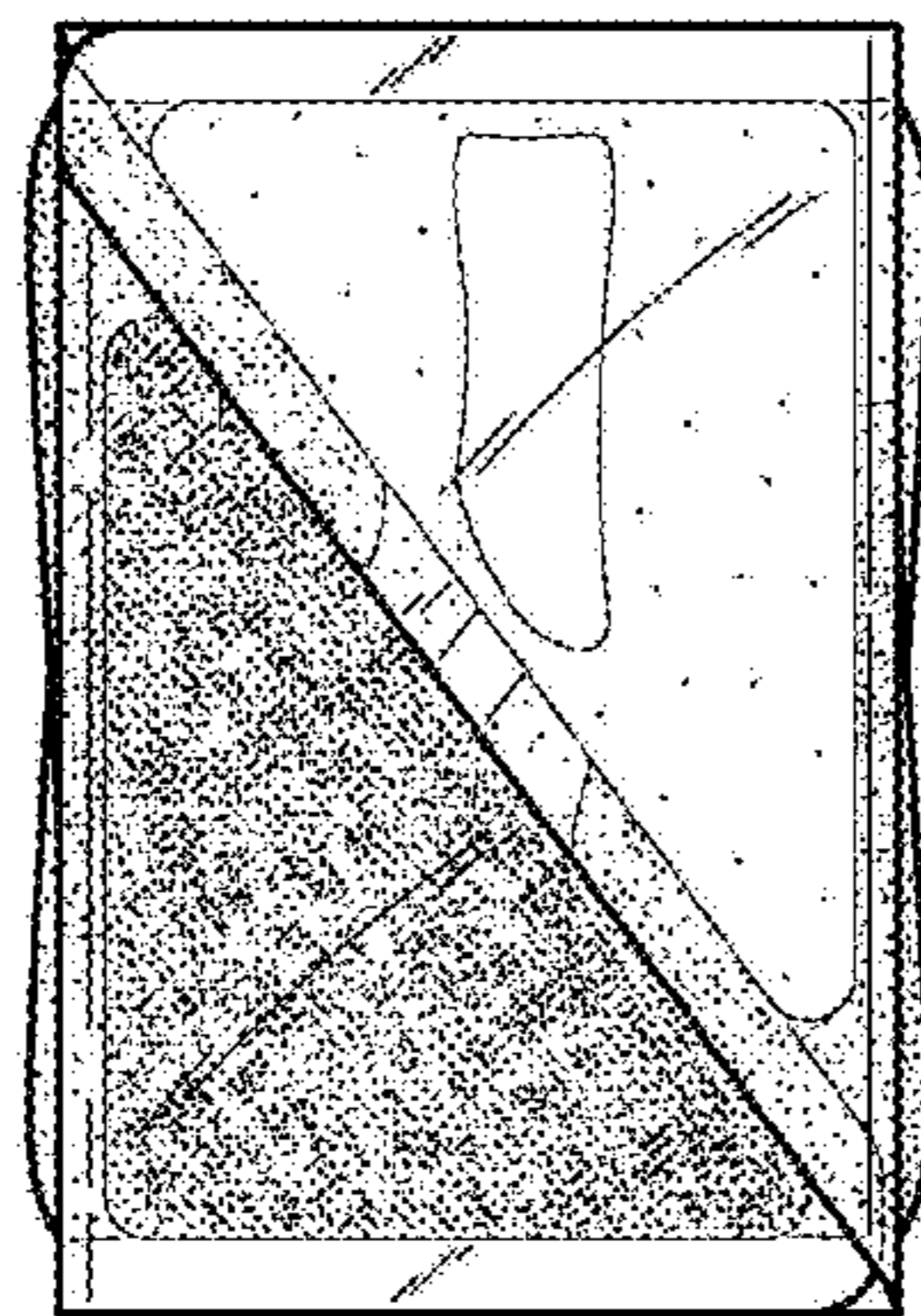


Fig. 6

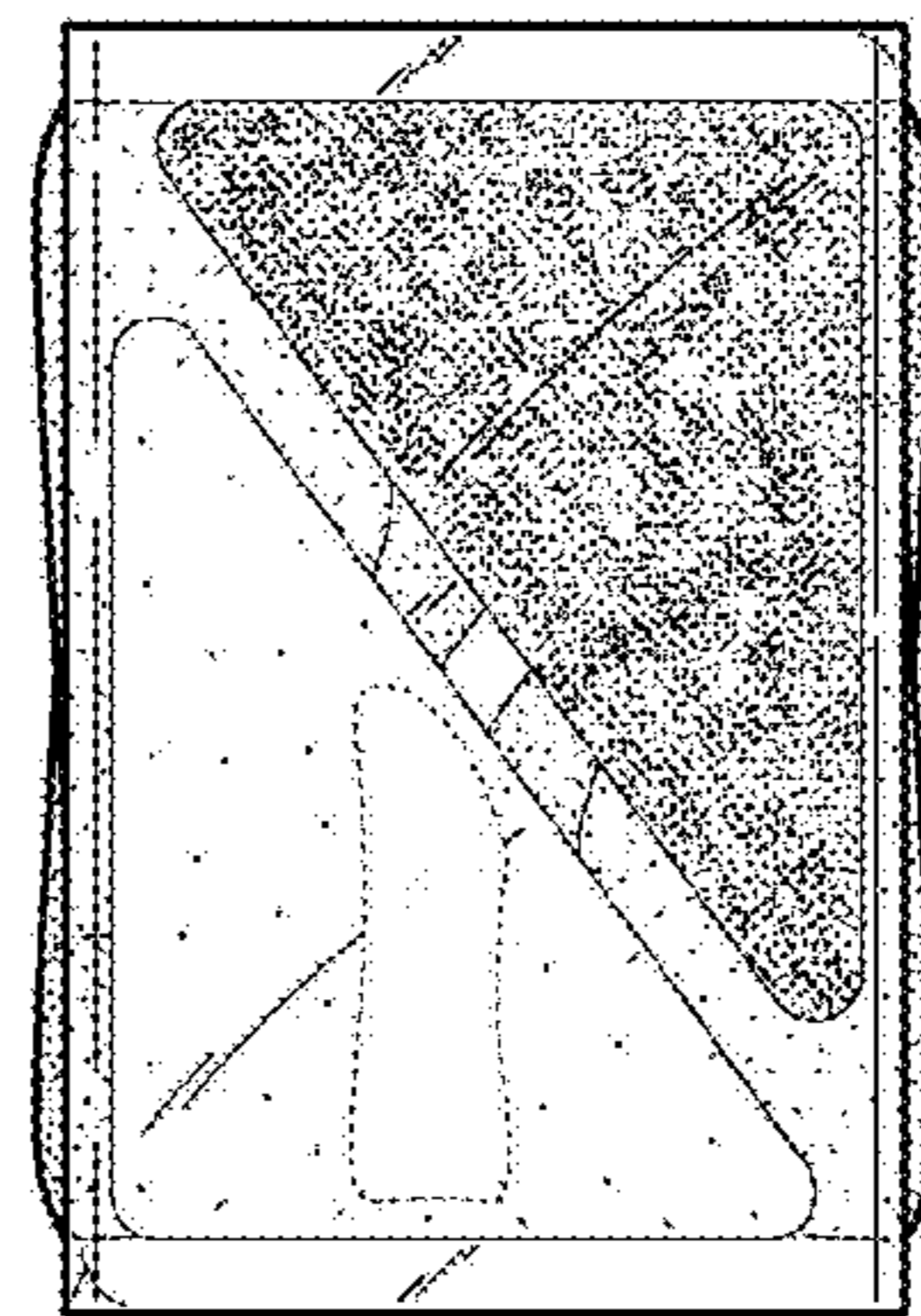


Fig. 7