



US00D680683S

(12) **United States Design Patent**
Hancock et al.

(10) **Patent No.:** **US D680,683 S**

(45) **Date of Patent:** **** Apr. 23, 2013**

(54) **LIGHTER WIND PROTECTOR**

(71) Applicants: **Nathan Hancock**, San Clemente, CA
(US); **Robert Joseph Howells**, San
Clemente, CA (US)

(72) Inventors: **Nathan Hancock**, San Clemente, CA
(US); **Robert Joseph Howells**, San
Clemente, CA (US)

(**) Term: **14 Years**

(21) Appl. No.: **29/434,306**

(22) Filed: **Oct. 11, 2012**

(51) **LOC (9) Cl.** **27-05**

(52) **U.S. Cl.**
USPC **D27/161**

(58) **Field of Classification Search** D27/106,
D27/136, 133, 134, 135, 102, 103, 104, 105,
D27/137, 161, 163, 160, 166, 167, 168, 181,
D27/183, 162, 169, 180, 165, 164, 182, 184,
D27/185, 186, 187, 188, 189, 190; 131/235.1,
131/241, 248, 231, 240.1, 236, 256, 175,
131/173; D9/432, 423; 248/230.8; 431/146,
431/254, 252, 277, 255, 153, 356

See application file for complete search history.

(56) **References Cited**

U.S. PATENT DOCUMENTS

1,720,460	A *	7/1929	Ament	431/356
1,800,334	A *	4/1931	Aronson	431/310
2,494,322	A *	1/1950	Ward	431/277
2,505,047	A *	4/1950	Horning	431/310
D165,250	S	11/1951	Treiss		

D246,912	S *	1/1978	Adelhardt	D27/161
4,128,393	A	12/1978	Sneed		
4,371,331	A *	2/1983	Lee	431/151
4,531,906	A *	7/1985	Mizukami	431/146
4,634,374	A	1/1987	Herko		
4,640,679	A *	2/1987	Perrin	431/146
4,653,999	A *	3/1987	Dennis et al.	431/146
D297,175	S *	8/1988	Nitta	D27/161
5,044,933	A *	9/1991	Yang	431/144
D329,302	S	9/1992	Huang		
D378,442	S *	3/1997	Ichikawa	D27/186
D404,172	S	1/1999	Lamb		
D434,179	S *	11/2000	Yang	D27/161
D506,569	S	6/2005	Chen		
D520,677	S	5/2006	Xu		
D566,889	S *	4/2008	Luo	D27/161
D631,191	S *	1/2011	Luo	D27/161

* cited by examiner

Primary Examiner — Kevin Rudzinski

(74) *Attorney, Agent, or Firm* — Stetina Brunda Garred & Brucker

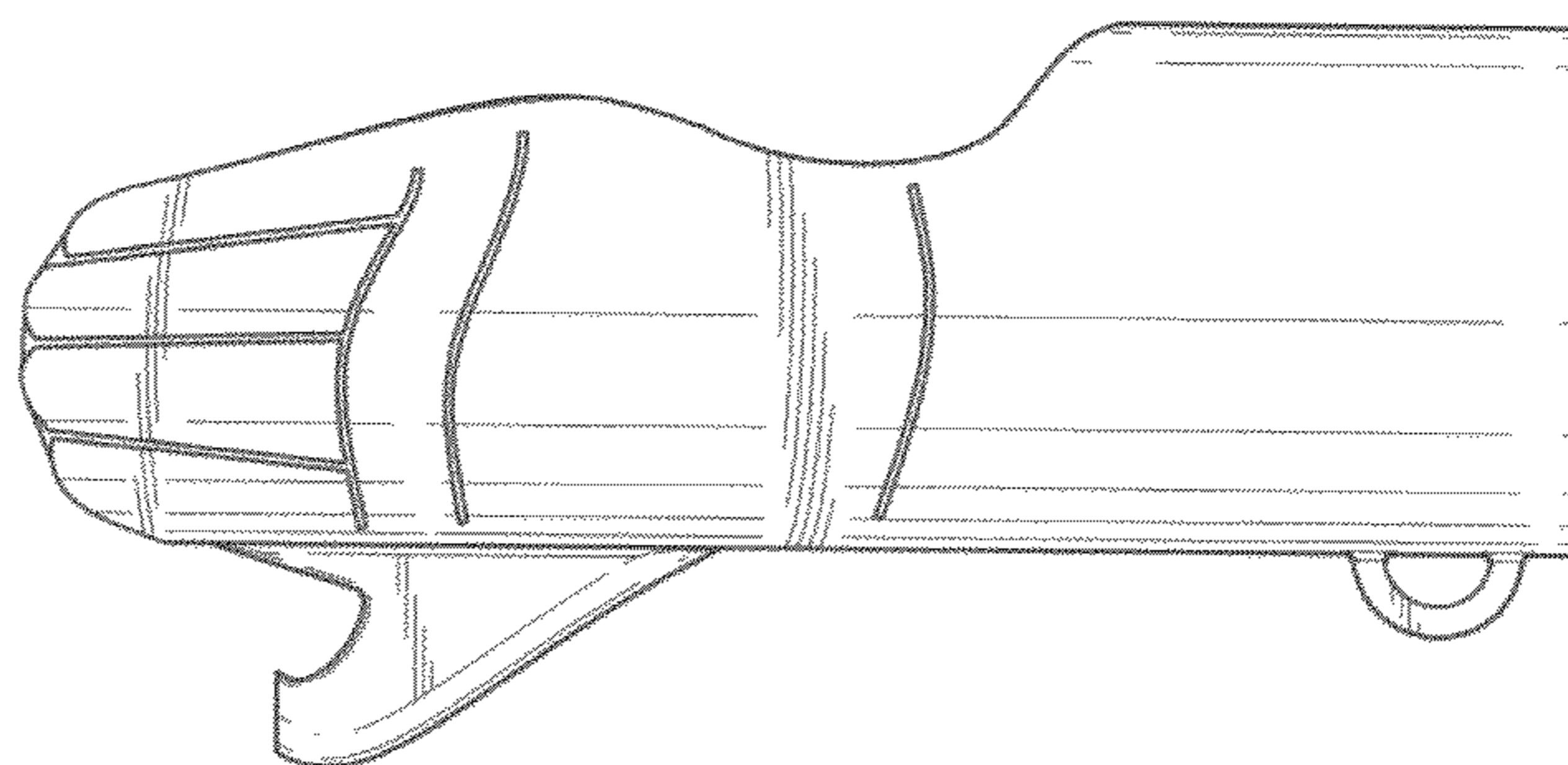
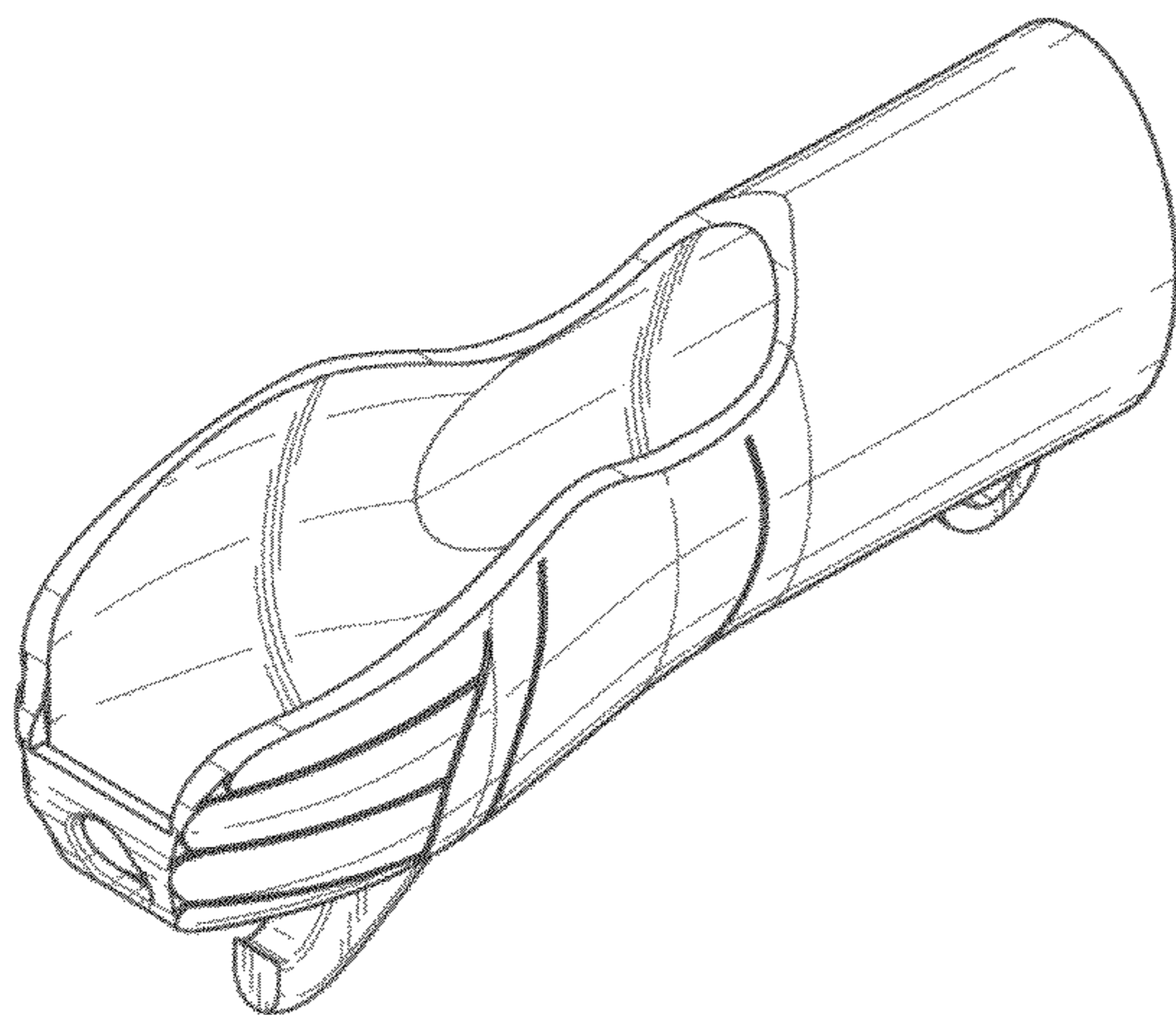
(57) **CLAIM**

The ornamental for a lighter wind protector, as shown and described.

DESCRIPTION

FIG. 1 is a top perspective view of a lighter wind protector; FIG. 2 is a top view of the lighter wind protector; FIG. 3 is a front view of the lighter wind protector; FIG. 4 is a left wind of the lighter wind protector; FIG. 5 is right view of the lighter wind protector; FIG. 6 is a rear view of the lighter wind protector; and, FIG. 7 is a bottom view of the lighter wind protector.

1 Claim, 3 Drawing Sheets



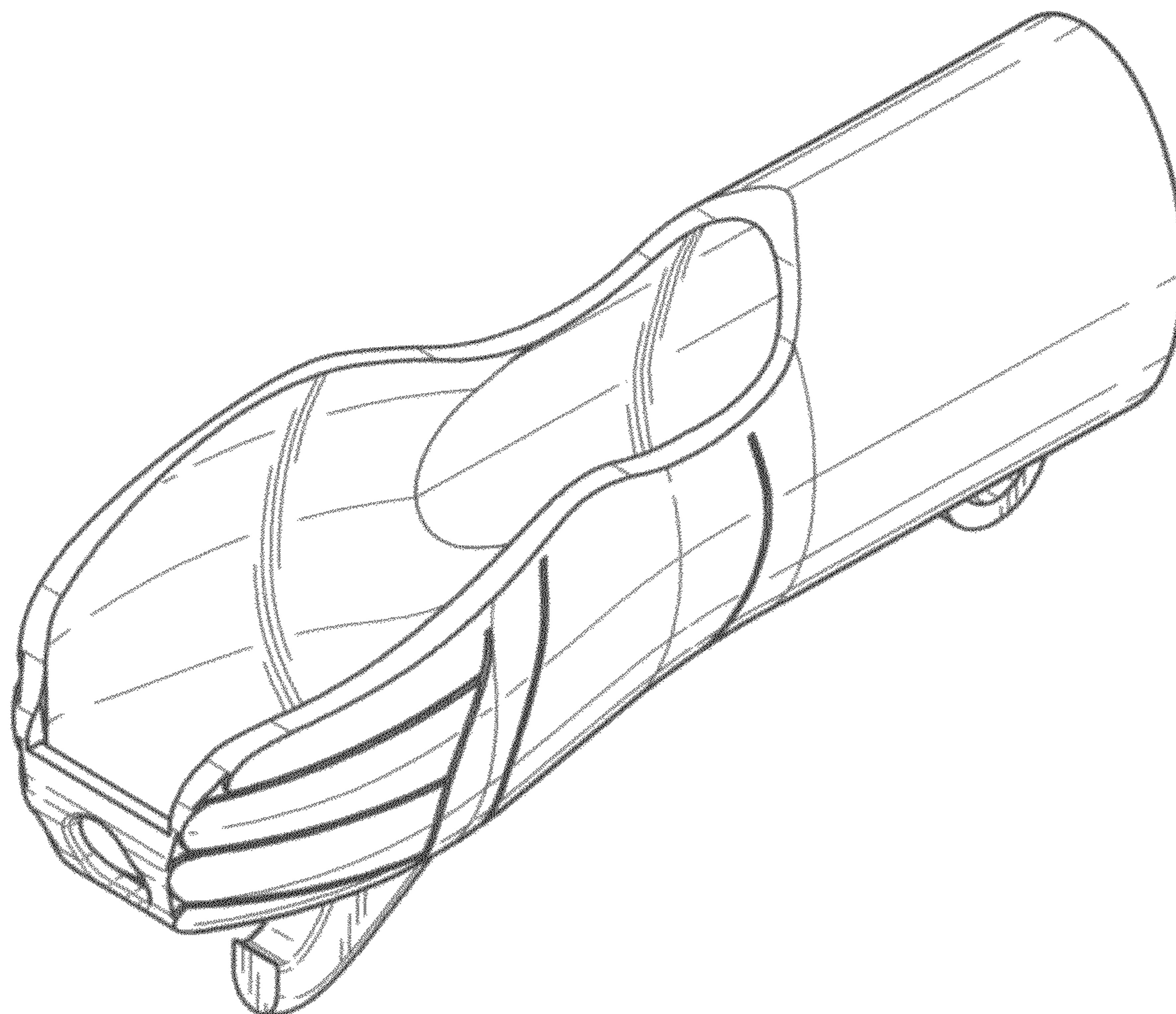


FIG. 1

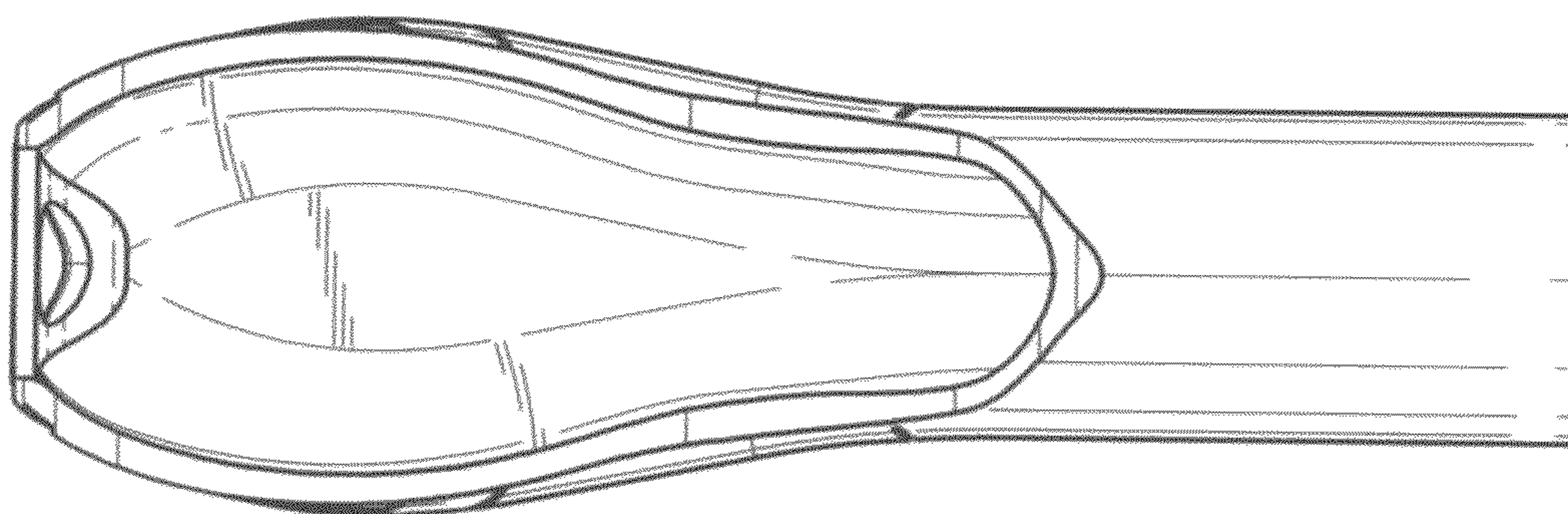


FIG. 2

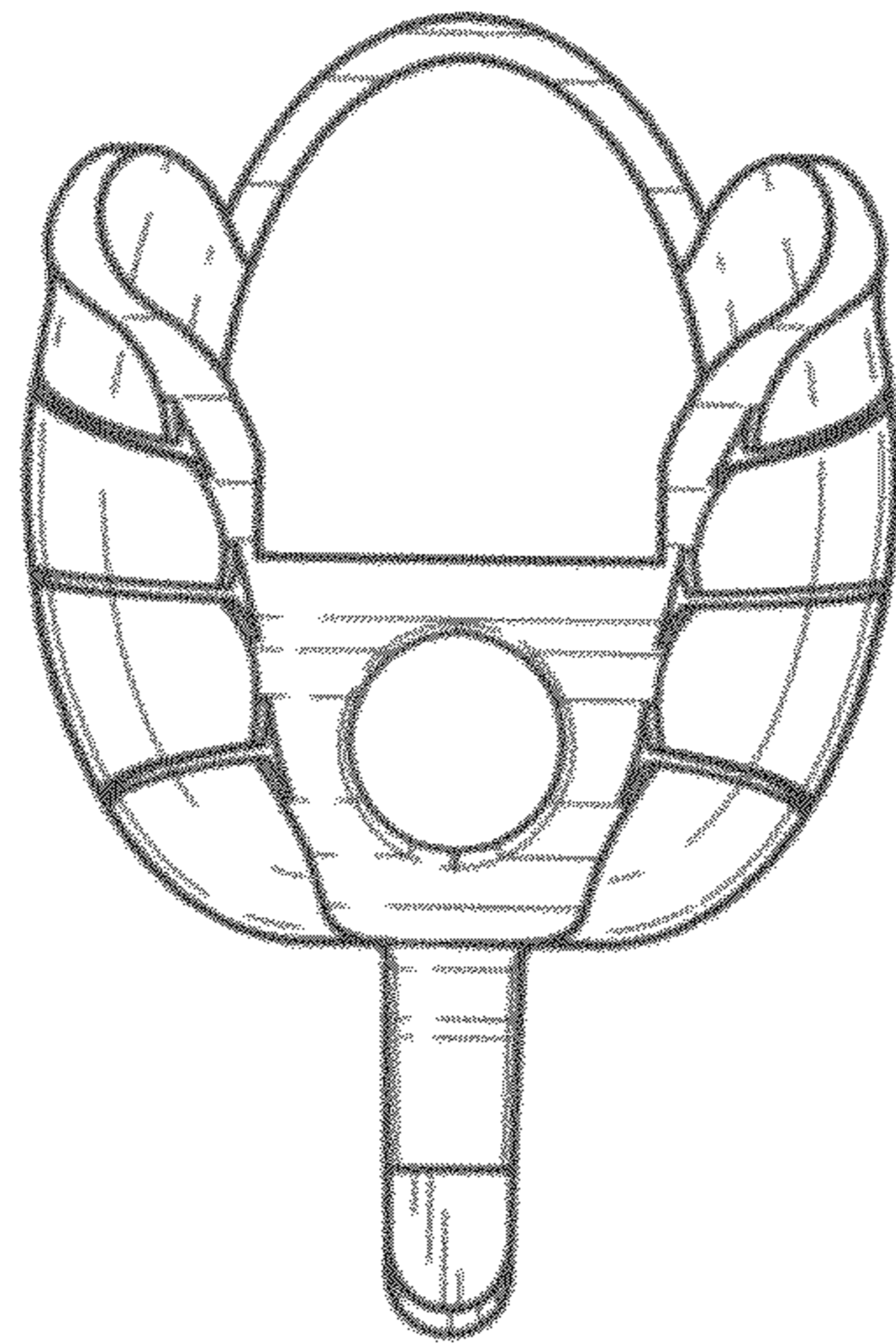


FIG. 3

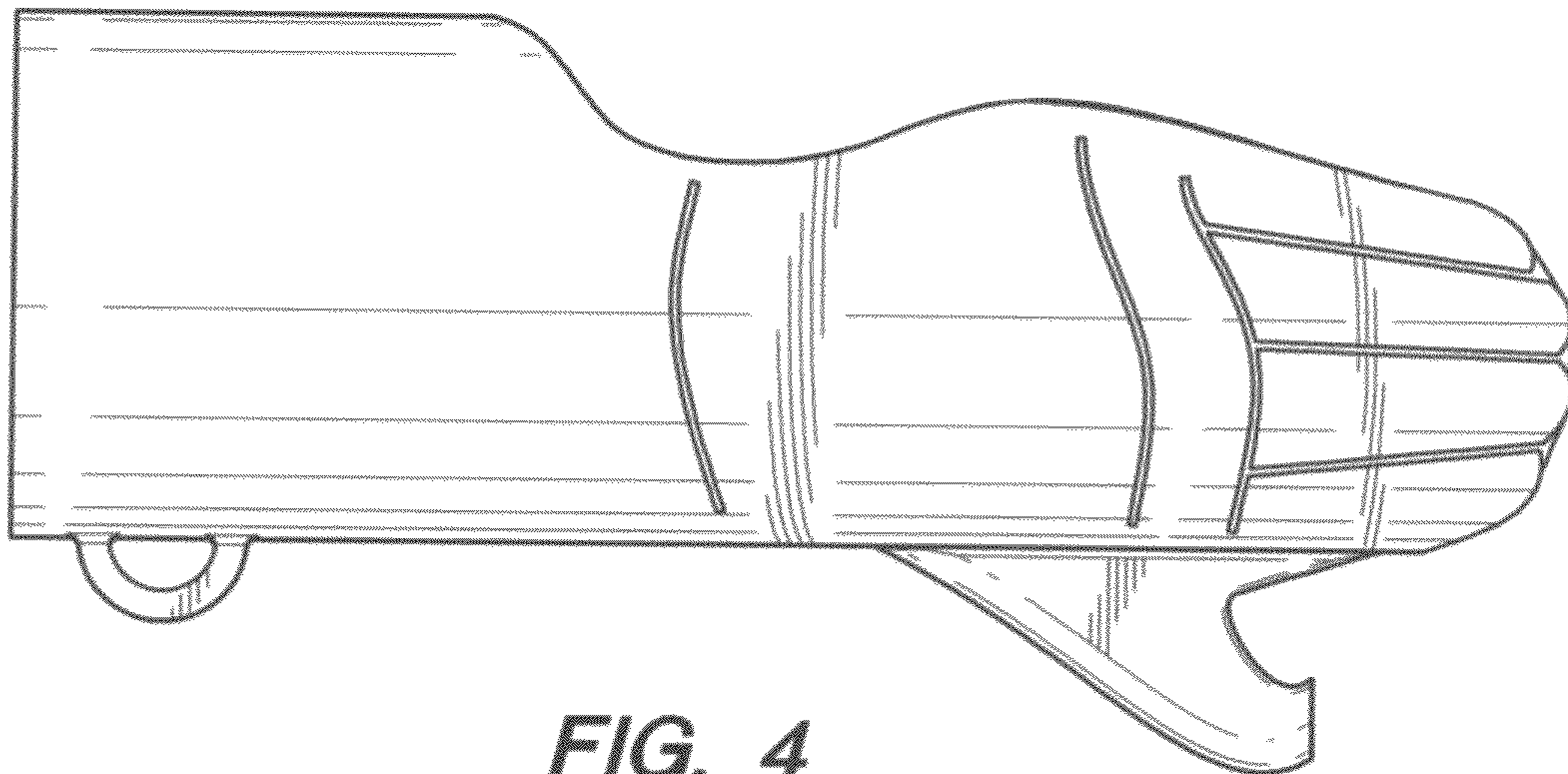


FIG. 4

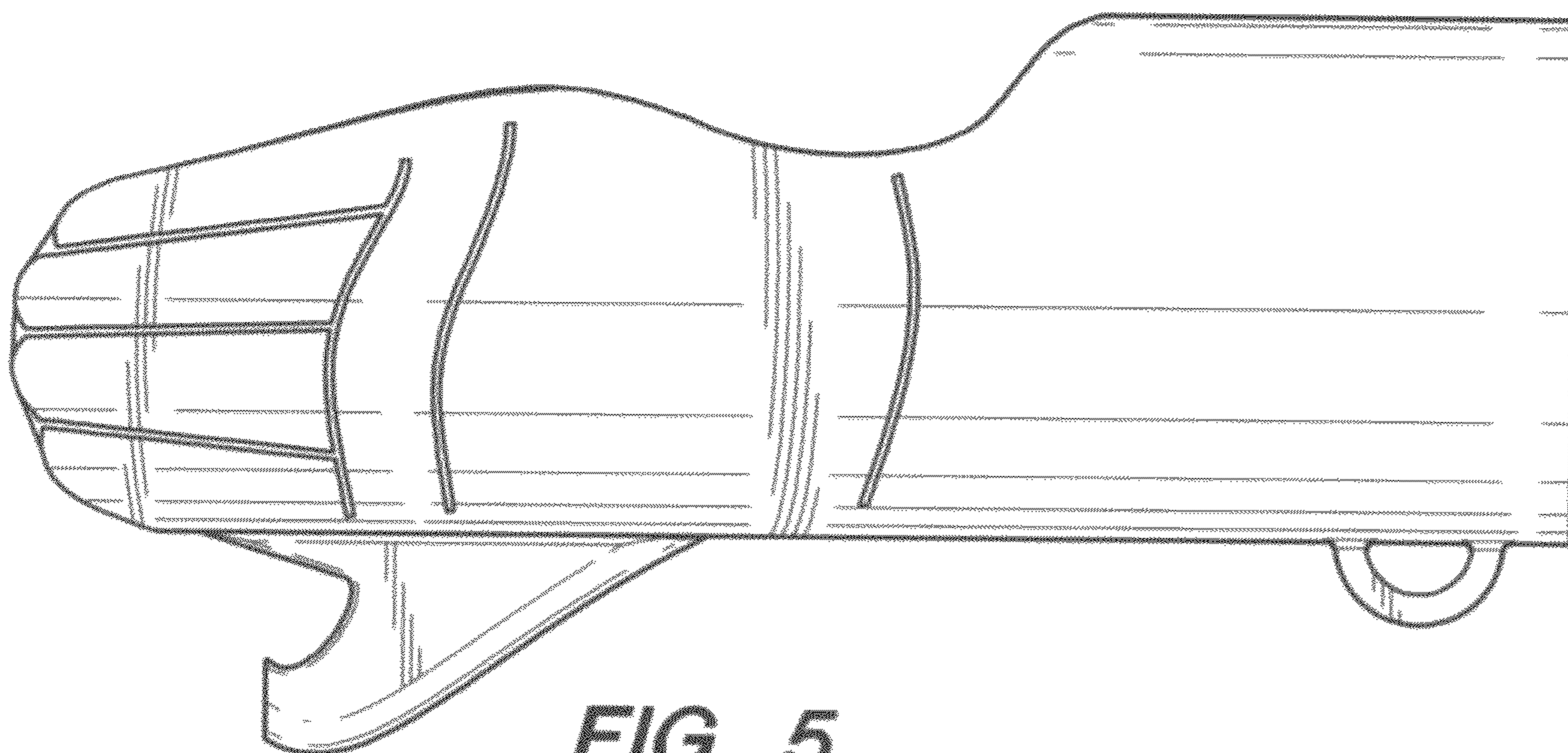


FIG. 5

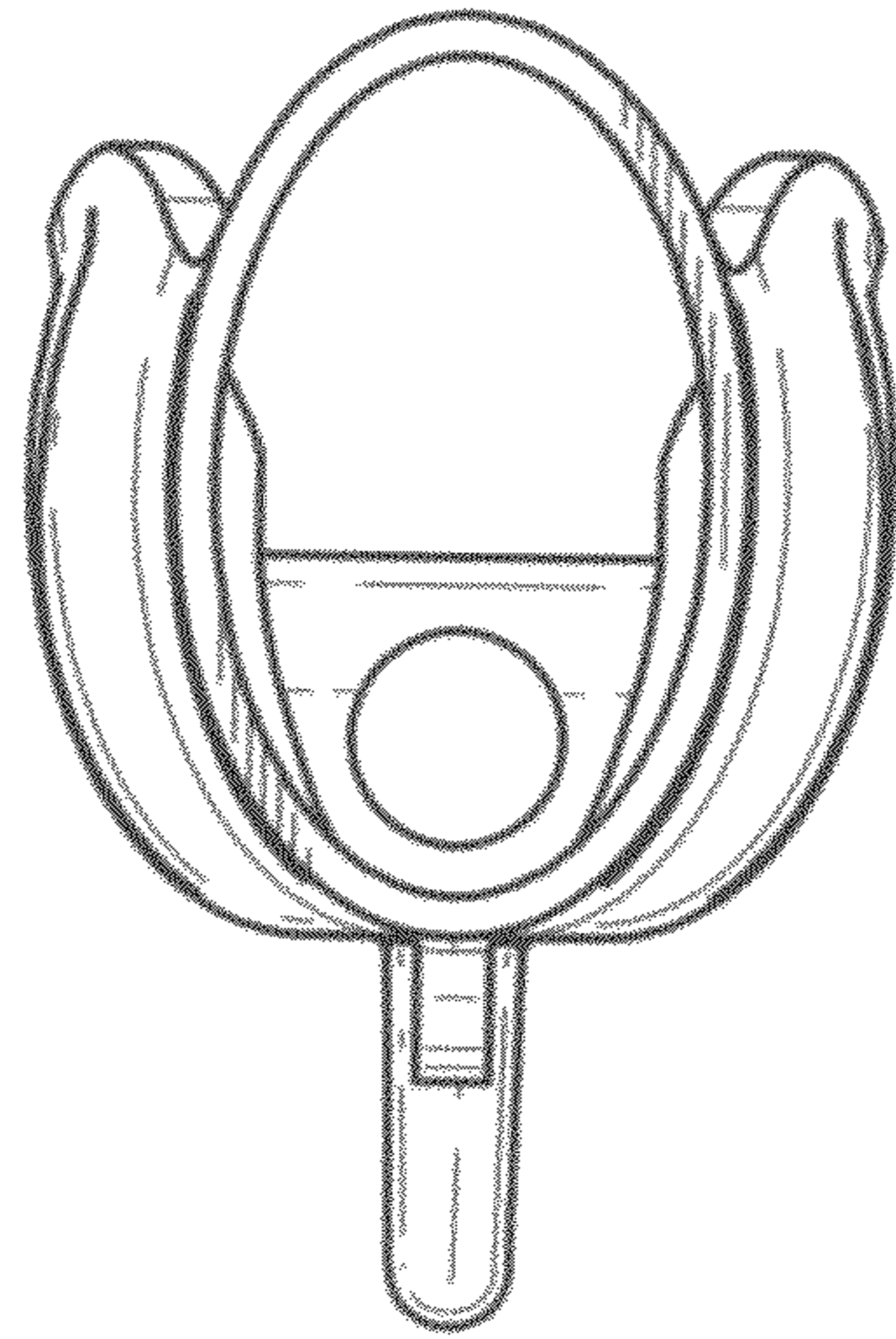


FIG. 6

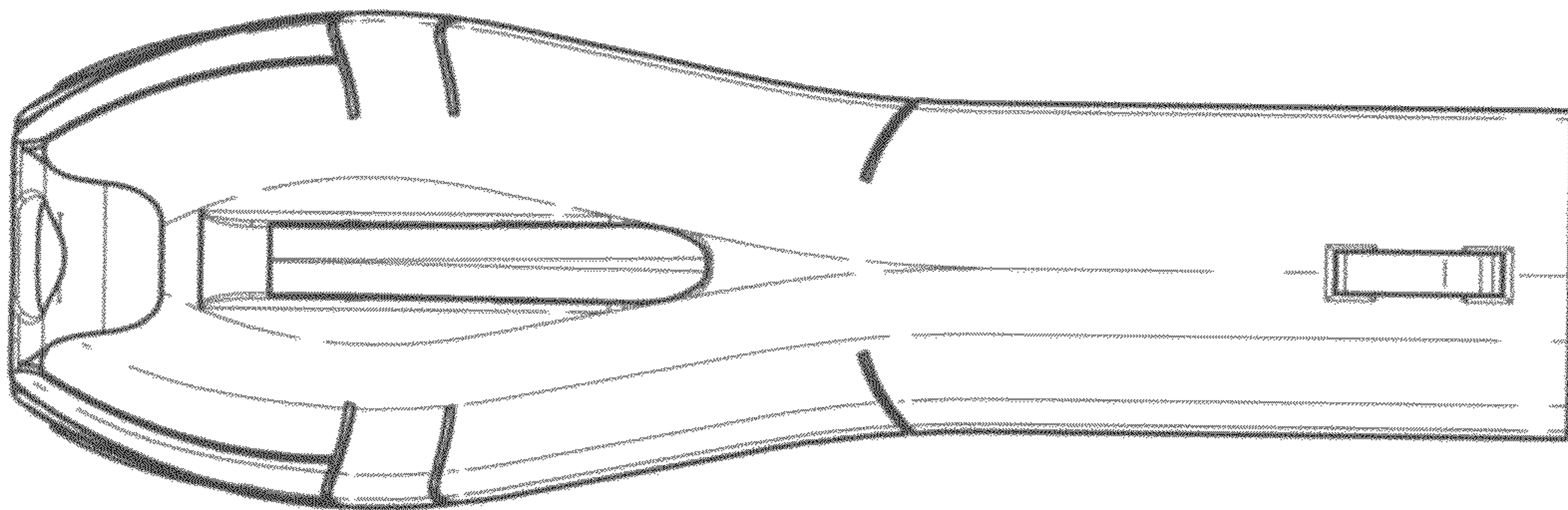


FIG. 7