



US00D680680S

(12) **United States Design Patent**
Barenboim

(10) **Patent No.:** **US D680,680 S**

(45) **Date of Patent:** **** Apr. 23, 2013**

- (54) **PROTECTIVE DOME**
- (75) Inventor: **James Barenboim**, Andover, MA (US)
- (73) Assignee: **Packaging Partners, LLC**, Lawrence, MA (US)
- (**) Term: **14 Years**
- (21) Appl. No.: **29/419,120**
- (22) Filed: **Apr. 25, 2012**
- (51) **LOC (9) Cl.** **26-99**
- (52) **U.S. Cl.**
USPC **D26/119**
- (58) **Field of Classification Search** D26/1,
D26/2, 118, 113, 138, 119, 120, 121, 122,
D26/76, 77, 75, 78, 85, 86, 89, 90, 62, 64,
D26/65, 66, 63, 73, 72, 74, 68, 71, 28, 123,
D26/124, 127, 128, 134, 135, 132, 139, 154,
D26/155, 152, 149, 148, 145, 143, 142, 140,
D26/141, 153, 144, 91, 92, 29, 24, 25, 26,
D26/8, 114, 37, 87; 362/202, 347, 349, 362,
362/419, 96, 192, 145, 294, 326, 267, 373,
362/249.01–249.12; D13/102, 179, 180;
D8/394
See application file for complete search history.

4,878,159	A *	10/1989	Blaisdell et al.	362/222
D319,559	S *	9/1991	Weiss	D8/1
5,133,671	A *	7/1992	Boghosian	439/371
5,392,204	A *	2/1995	Schumaker	362/294
5,396,684	A *	3/1995	Yocom	24/16 PB
5,601,355	A	2/1997	Valentino		
5,611,618	A	3/1997	Sawyer		
5,613,772	A	3/1997	Sawyer		
5,758,850	A	6/1998	Yousefzadeh		
5,857,652	A	1/1999	Yousefzadeh		
5,878,520	A *	3/1999	Milbrandt et al.	40/665
5,980,068	A *	11/1999	Yu	362/351
D442,851	S *	5/2001	Wilson	D8/394
6,227,680	B1	5/2001	Arndt		
6,296,375	B1 *	10/2001	Sung et al.	362/255
D506,694	S *	6/2005	Corney	D10/106.94
D515,408	S *	2/2006	Cheung	D8/394
D565,401	S *	4/2008	Grady et al.	D8/394

(Continued)

Primary Examiner — Kevin Rudzinski
(74) *Attorney, Agent, or Firm* — David M. Driscoll, Esq.

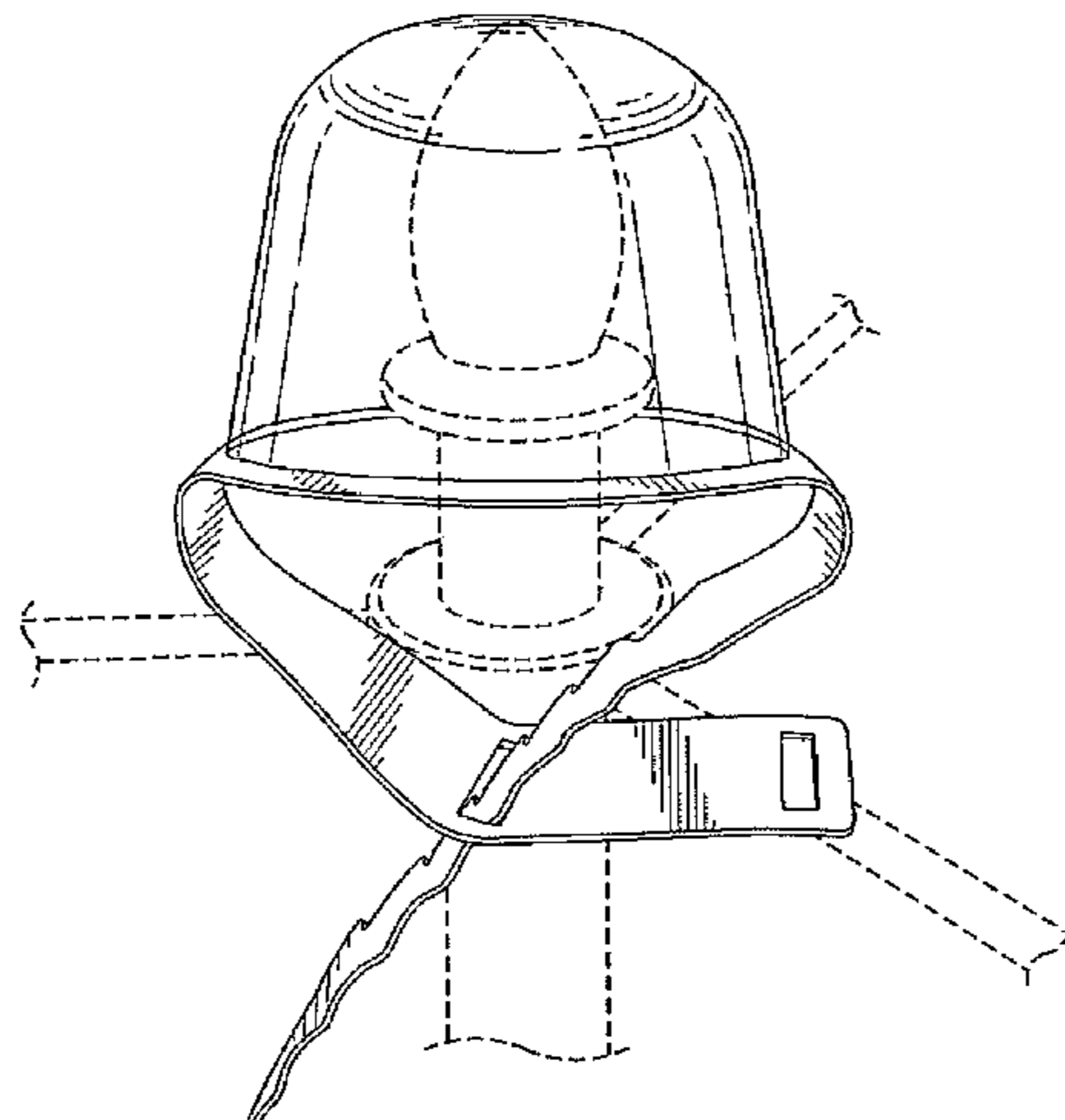
(57) **CLAIM**
The ornamental design for a protective dome, as shown and described.

DESCRIPTION

FIG. 1 is a perspective view of a protective dome;
FIG. 2 is a top plan view thereof;
FIG. 3 is a bottom plan view thereof;
FIG. 4 is a left side elevational view, the right side being a mirror image thereof;
FIG. 5 is a front elevational view thereof;
FIG. 6 is a rear elevational view thereof; and,
FIG. 7 is a perspective view thereof showing the protective dome in use.
The broken lines illustrating a lighting fixture in FIG. 7 is shown to illustrate environmental structure and form no part of the claimed design.

1 Claim, 4 Drawing Sheets

- (56) **References Cited**
U.S. PATENT DOCUMENTS
1,042,979 A * 10/1912 Seessle 362/444
1,086,787 A * 2/1914 Rithner 362/255
2,326,004 A * 8/1943 Barrett 359/359
2,774,049 A * 12/1956 Kibler et al. 439/366
3,300,637 A * 1/1967 Martland 362/377
3,609,348 A * 9/1971 Marasco et al. 362/363
3,849,640 A * 11/1974 McCarthy 362/437
4,068,931 A * 1/1978 Weaks 359/892
4,293,899 A * 10/1981 Sanner 362/294
4,708,306 A * 11/1987 Mitomi 248/74.3



US D680,680 S

Page 2

U.S. PATENT DOCUMENTS			
7,377,013	B2 *	5/2008	Cheung 24/16 PB
7,410,277	B1	8/2008	Leddusire
D619,887	S *	7/2010	Colton D8/396
7,819,374	B2	10/2010	Pitlor
7,871,182	B2 *	1/2011	Daffin, III 362/255
8,215,803	B2 *	7/2012	Singer 362/320
8,242,667	B2 *	8/2012	Gruber 313/25
2003/0147243	A1 *	8/2003	Alduby 362/311
2006/0146513	A1 *	7/2006	Liu 362/34
2009/0257235	A1 *	10/2009	Wipper 362/396
2010/0002451	A1 *	1/2010	Reynolds 362/363
2010/0149813	A1 *	6/2010	Powell 362/255

* cited by examiner

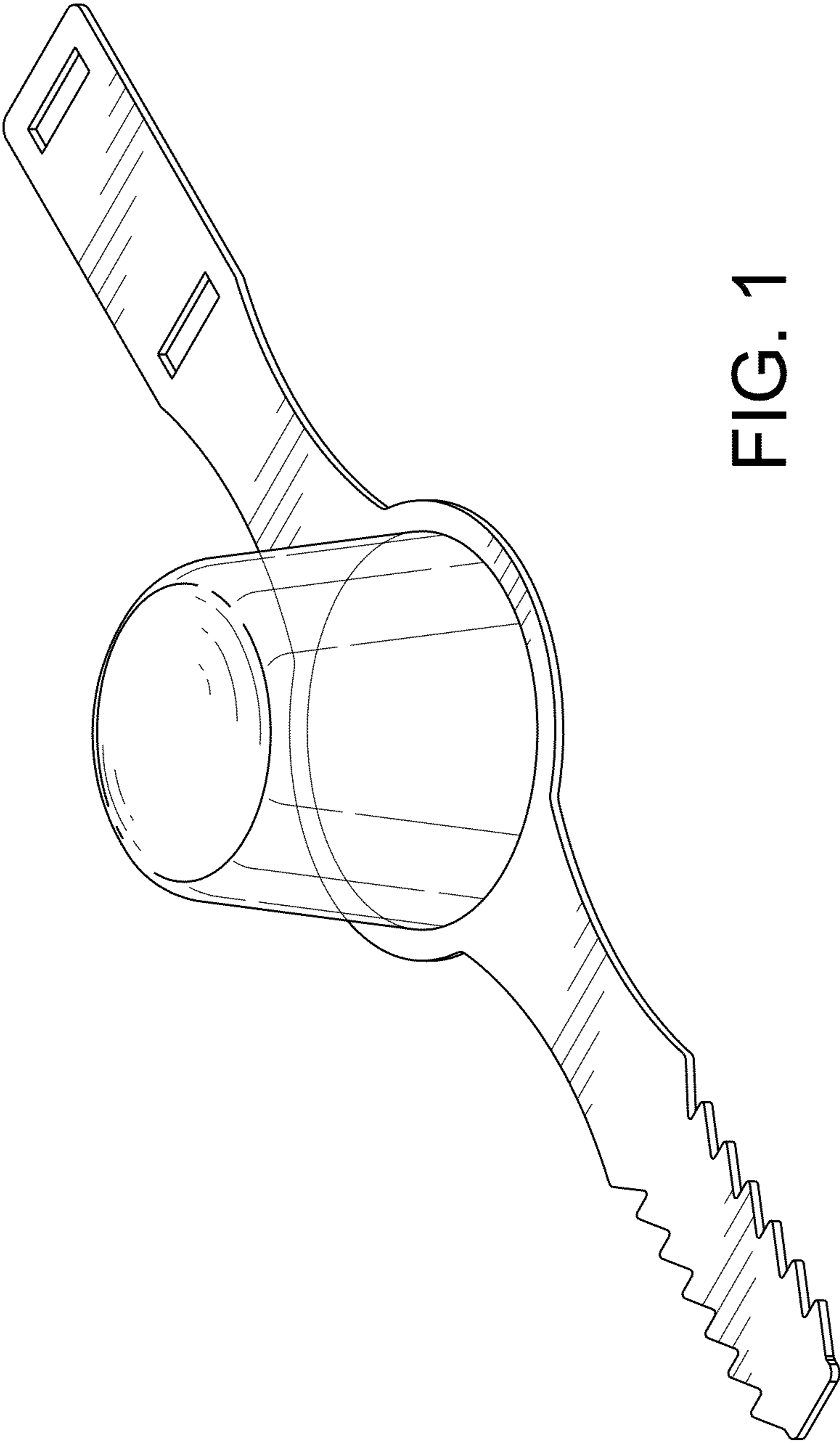


FIG. 1

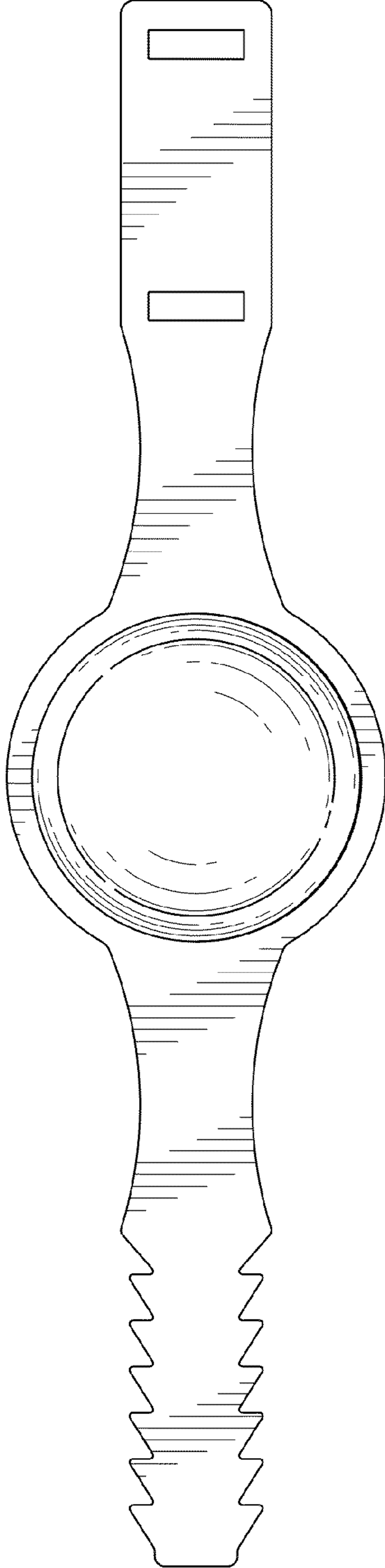


FIG. 2

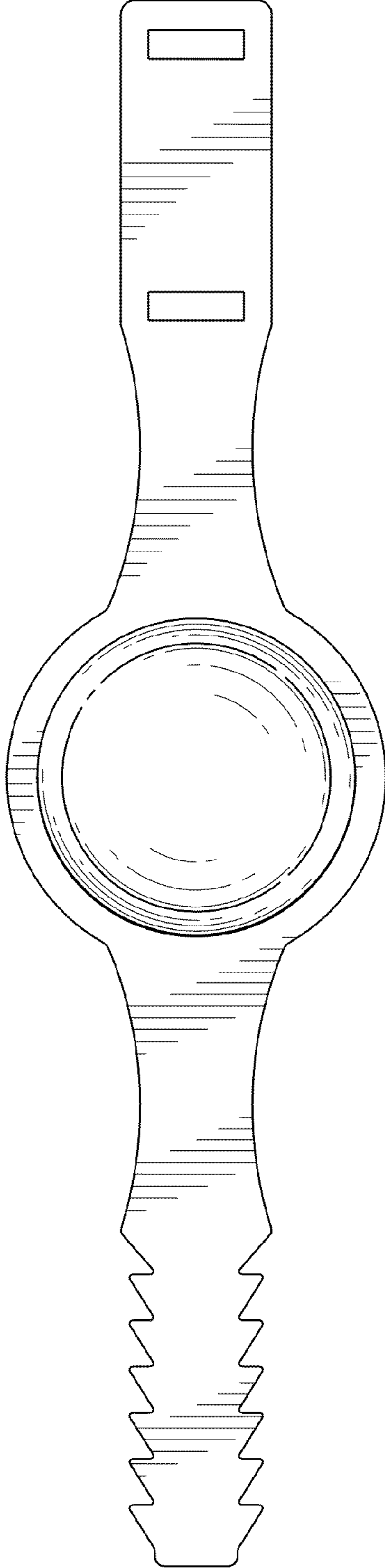


FIG. 3

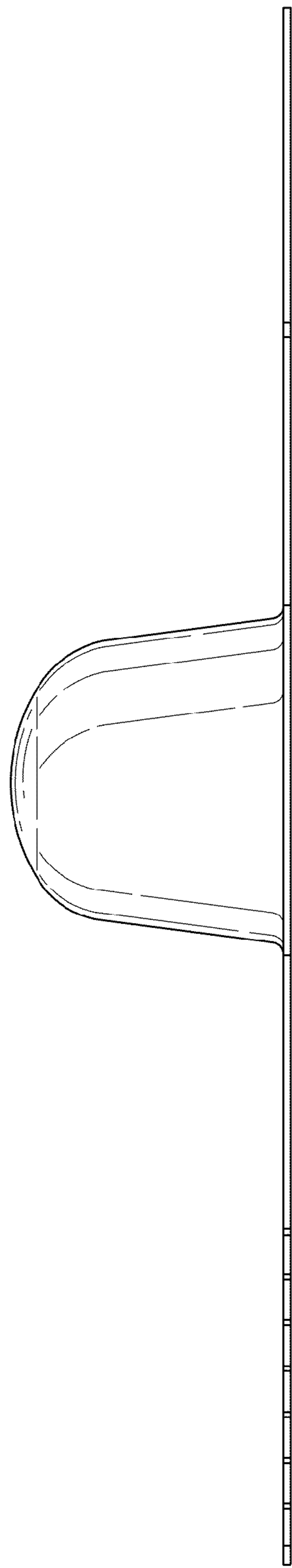


FIG. 4

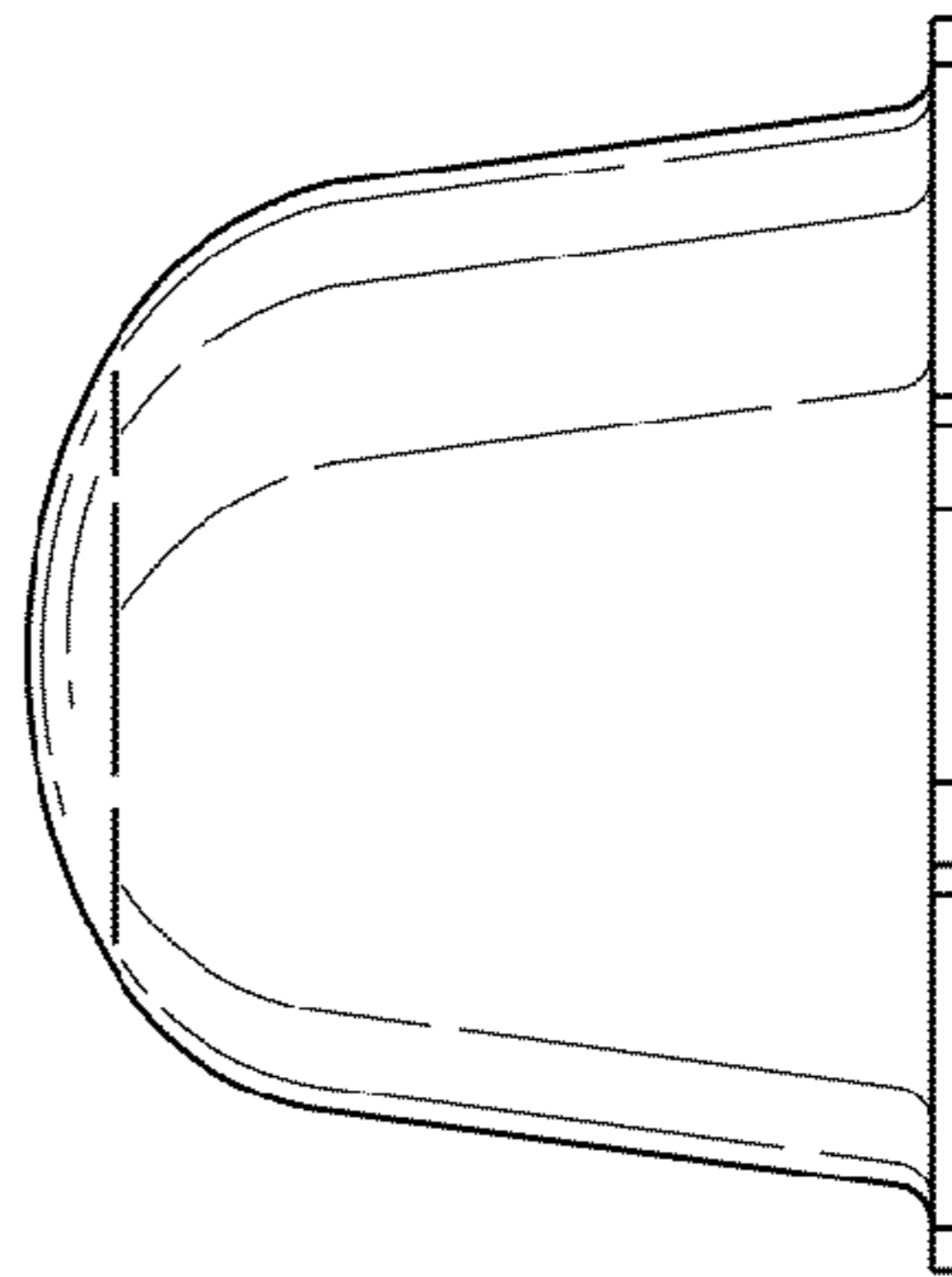


FIG. 6

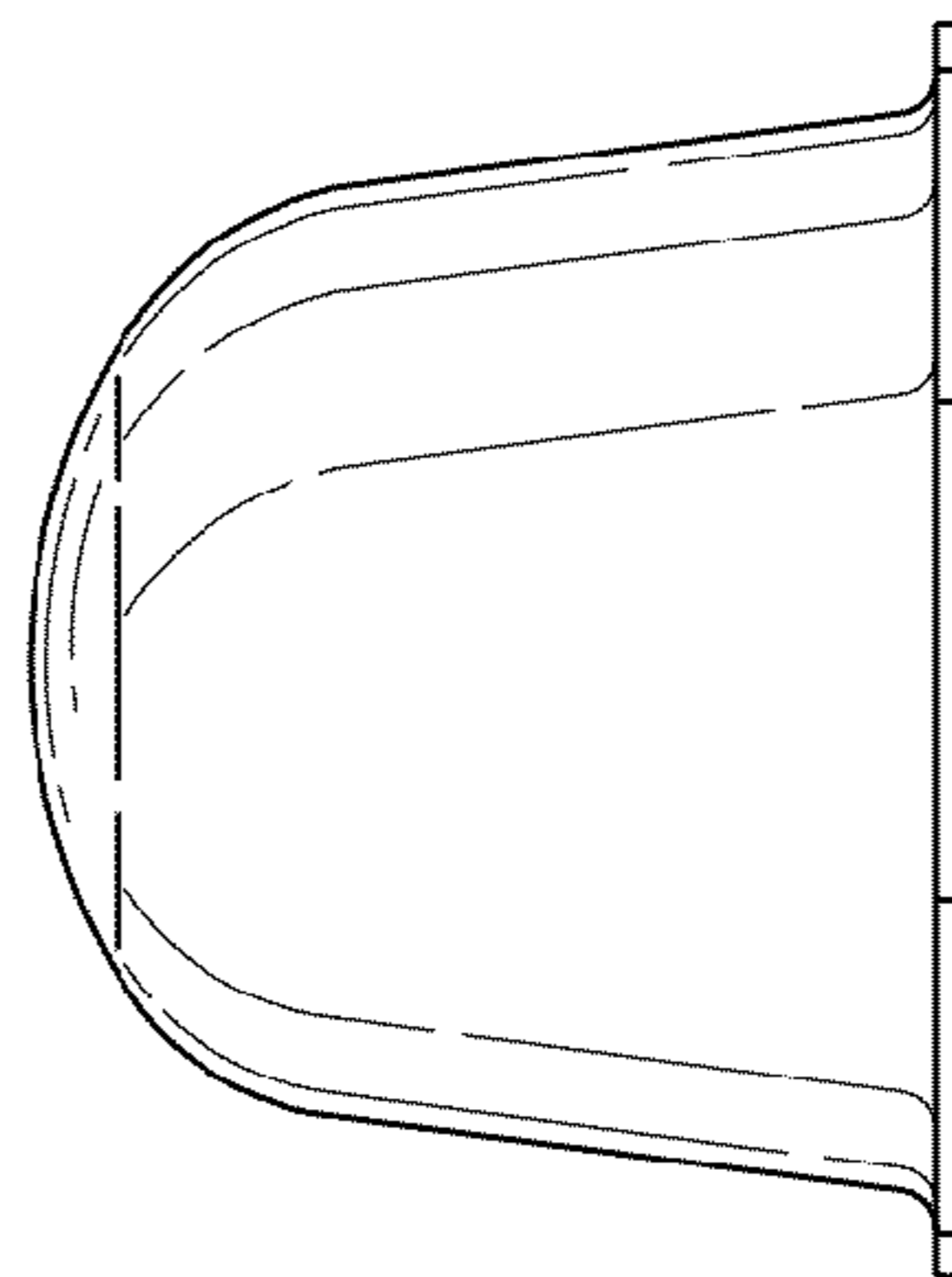


FIG. 5

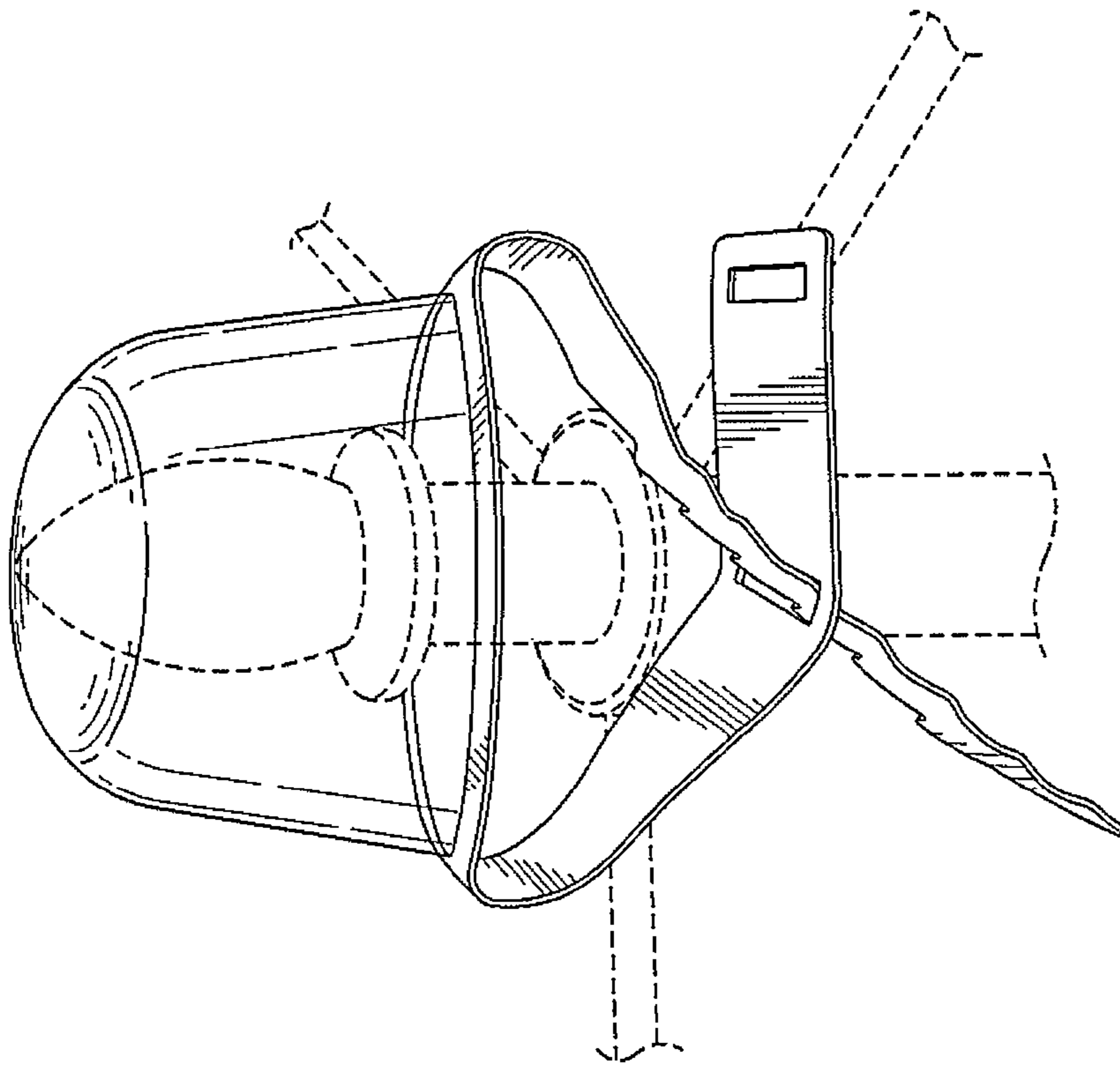


FIG. 7