



US00D680679S

(12) **United States Design Patent**
Kim et al.

(10) **Patent No.:** **US D680,679 S**
(45) **Date of Patent:** **** Apr. 23, 2013**

(54) **LED LAMP**

D357,732 S * 4/1995 Spechts et al. D23/388
(Continued)

(75) Inventors: **Han Gyoul Kim**, Seoul (KR);
Hwayoung Kim, Seoul (KR)

OTHER PUBLICATIONS

(73) Assignee: **LG Innotek Co., Ltd.**, Seoul (KR)

Korean Office Action dated Sep. 7, 2011.

(**) Term: **14 Years**

(Continued)

(21) Appl. No.: **29/376,769**

Primary Examiner — Kevin Rudzinski

(22) Filed: **Oct. 12, 2010**

(74) *Attorney, Agent, or Firm* — KED & Associates LLP

(30) **Foreign Application Priority Data**

(57) **CLAIM**

The ornamental design for a LED lamp, as shown and described.

Apr. 10, 2010 (KR) 30-2010-0015939

DESCRIPTION

(51) **LOC (9) Cl.** **26-99**

(52) **U.S. Cl.**
USPC **D26/118**

(58) **Field of Classification Search** D26/155,
D26/60, 152, 154, 74, 75, 76, 77, 78, 113,
D26/118, 119, 120, 121, 122, 128, 138, 125,
D26/124, 126, 127, 85, 86, 88, 89, 90, 91,
D26/65, 64, 67, 68, 1, 2, 24, 141, 142, 145,
D26/144, 92, 93, 62, 63, 51, 56, 55, 58, 104,
D26/139, 140, 3; 362/101, 225, 634, 246,
362/326, 249.01–249.11, 220, 221, 224,
362/222, 223, 275, 276, 277, 271, 162, 450,
362/236; 211/10; 439/94, 95, 115, 110;
D8/380, 396, 394, 72, 354, 349, 373; D6/310,
D6/314, 470; D23/411; D11/90, 89, 132;
D19/96, 90, 77, 78, 75; D13/179, 180, 155
See application file for complete search history.

FIG. 1 is a front perspective view of a LED lamp according to an embodiment;
FIG. 2 is an enlarged front view of the LED lamp of FIG. 1;
FIG. 3 is an enlarged rear view of the LED lamp of FIG. 1;
FIG. 4 is a left side view of the LED lamp of FIG. 1;
FIG. 5 is a right side view of the LED lamp of FIG. 1;
FIG. 6 is a top view of the LED lamp of FIG. 1;
FIG. 7 is a bottom view of the LED lamp of FIG. 1;
FIG. 8 is a front perspective view of the LED lamp shown in use and with an enlarged portion; and,
FIG. 9 is a front perspective view of the LED lamp of FIG. 1 shown in use with an exemplary suspension type application and including end caps with the light emitting part in diagonal line.

The radiating broken lines shown in FIG. 8 and the diagonal broken lines shown in FIG. 9 illustrate illumination and form no part of the claimed design.

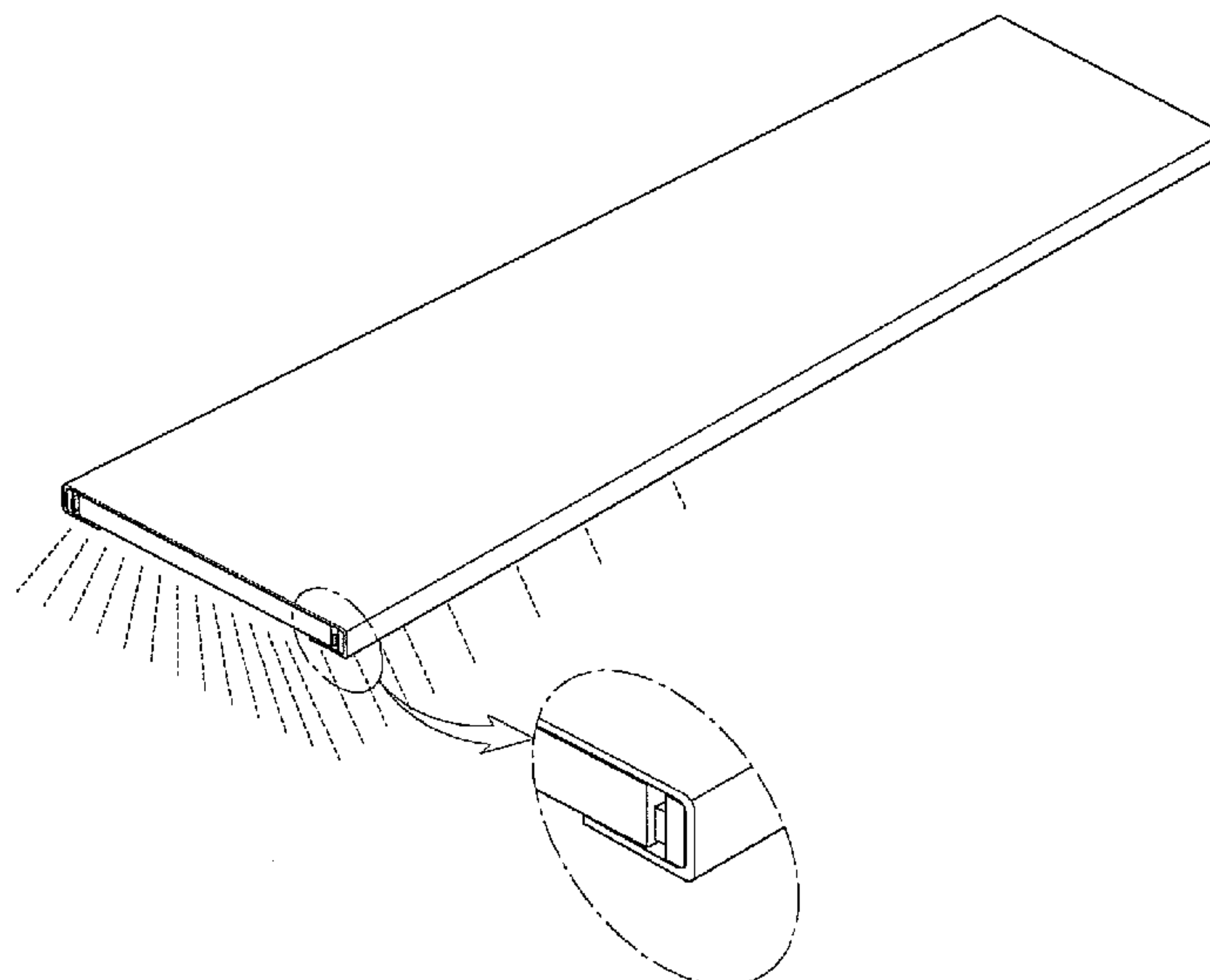
The broken lines in the drawings illustrating environmental structures form no part of the claimed design.

(56) **References Cited**

U.S. PATENT DOCUMENTS

D192,878 S * 5/1962 Muller D26/76

1 Claim, 5 Drawing Sheets



US D680,679 S

Page 2

U.S. PATENT DOCUMENTS

D361,402 S * 8/1995 Herst et al. D26/152
5,440,466 A * 8/1995 Belisle et al. 362/222
5,615,943 A * 4/1997 Coldren 362/220
D427,706 S * 7/2000 Irvine D26/76
D428,508 S * 7/2000 Irvine D26/76
6,210,025 B1 * 4/2001 Schmidt et al. 362/362
D473,007 S * 4/2003 Herst et al. D26/113
D493,245 S * 7/2004 Delson D26/78
D496,747 S * 9/2004 Herst et al. D26/76
D514,731 S * 2/2006 Engel D26/88
D537,187 S * 2/2007 Lucatello D26/84
D556,359 S * 11/2007 Cunius D26/76
D569,025 S * 5/2008 Hakamada D26/74
D573,744 S * 7/2008 Engel D26/76
D581,080 S * 11/2008 Mier-Langner D26/72
D600,394 S * 9/2009 Ambruster D26/91
D602,626 S * 10/2009 Santoro et al. D26/76
7,604,376 B2 * 10/2009 Sloan et al. 362/246
D606,501 S * 12/2009 Plonski et al. D13/179

D610,735 S * 2/2010 Chien D26/76
D627,915 S * 11/2010 Pei et al. D26/76
D632,004 S * 2/2011 Waldmann D26/88
D645,192 S * 9/2011 Chung et al. D26/75
D645,194 S * 9/2011 Budike et al. D26/76
D647,246 S * 10/2011 Chadwick D26/138
D649,677 S * 11/2011 Wegger et al. D26/90
D650,509 S * 12/2011 Wegger et al. D26/90
D655,854 S * 3/2012 Kim et al. D26/89
2002/0003698 A1 * 1/2002 Engel 362/224
2006/0018116 A1 * 1/2006 Plunk et al. 362/217
2008/0285264 A1 * 11/2008 Whitehouse et al. 362/217
2009/0196024 A1 * 8/2009 Heiking et al. 362/150

OTHER PUBLICATIONS

Catalog for LED Expo_FPD Korea 2009 published May 20, 2009.
(D2009117392).

* cited by examiner

Figure 1

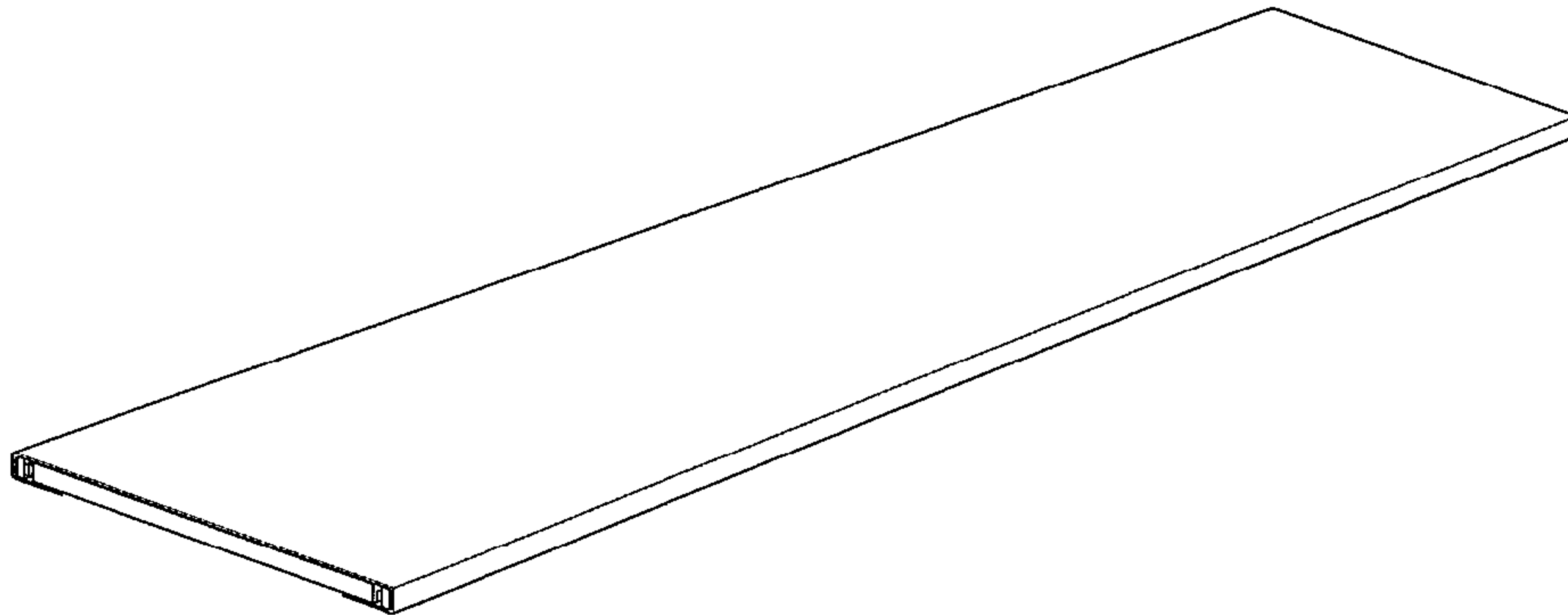


Figure 2

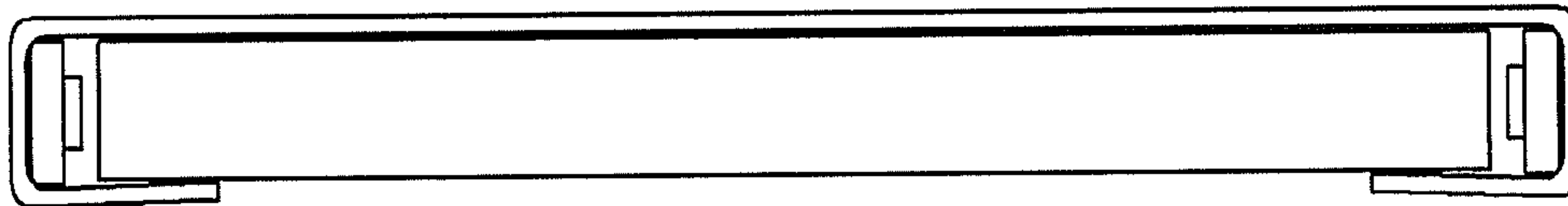


Figure 3

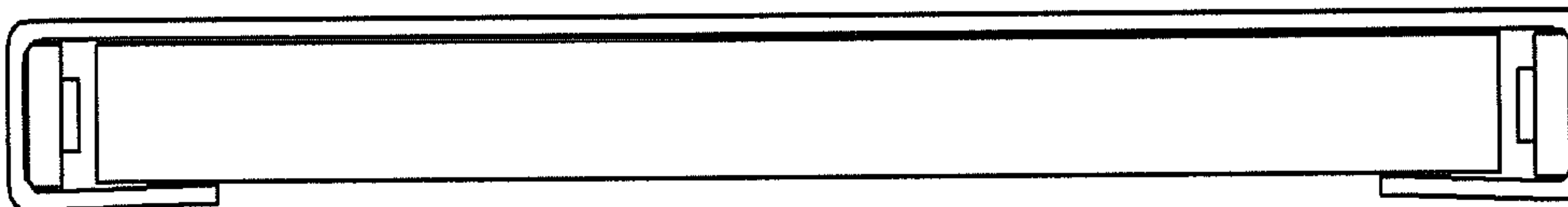


Figure 4



Figure 5



Figure 6

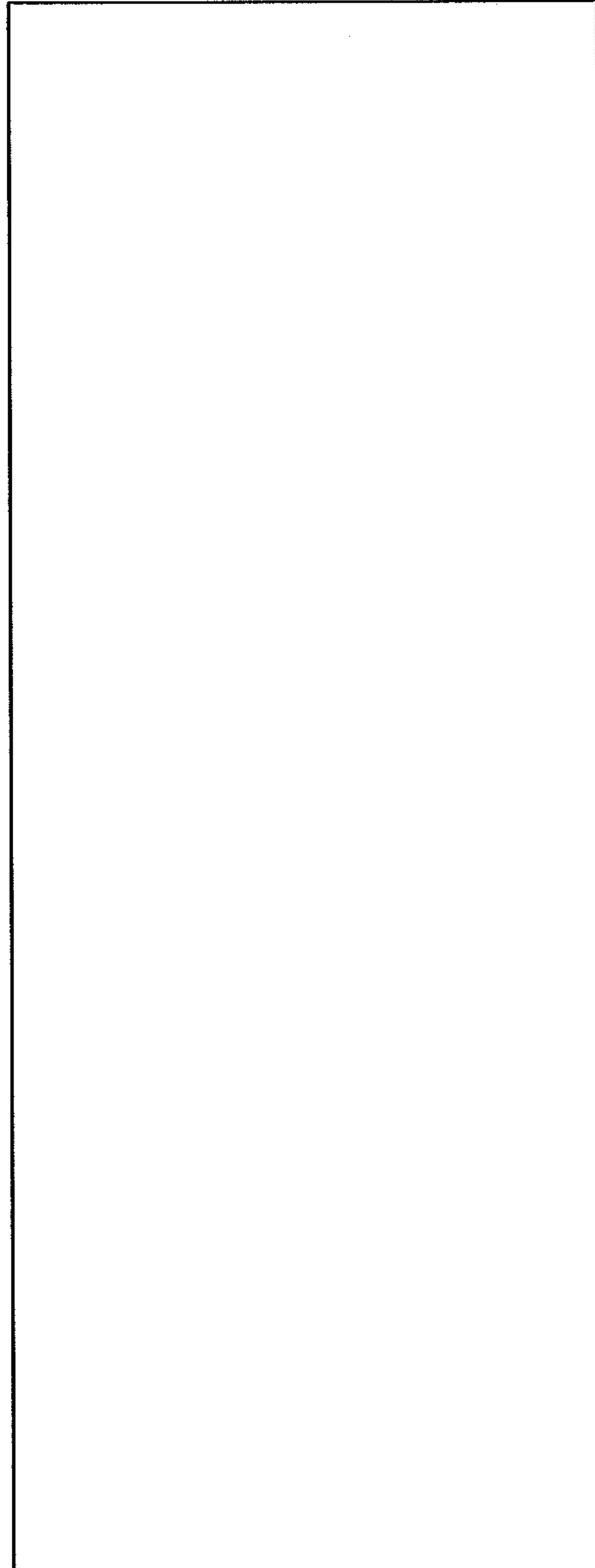


Figure 7

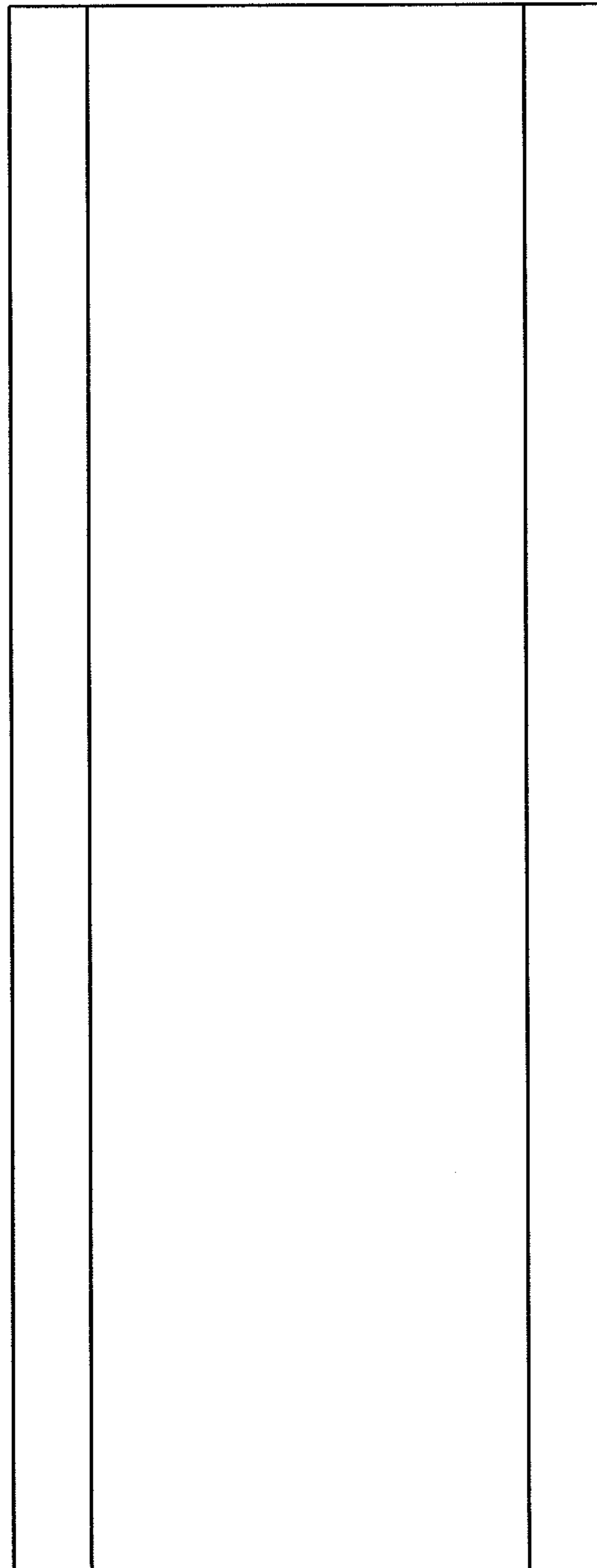


Figure 8

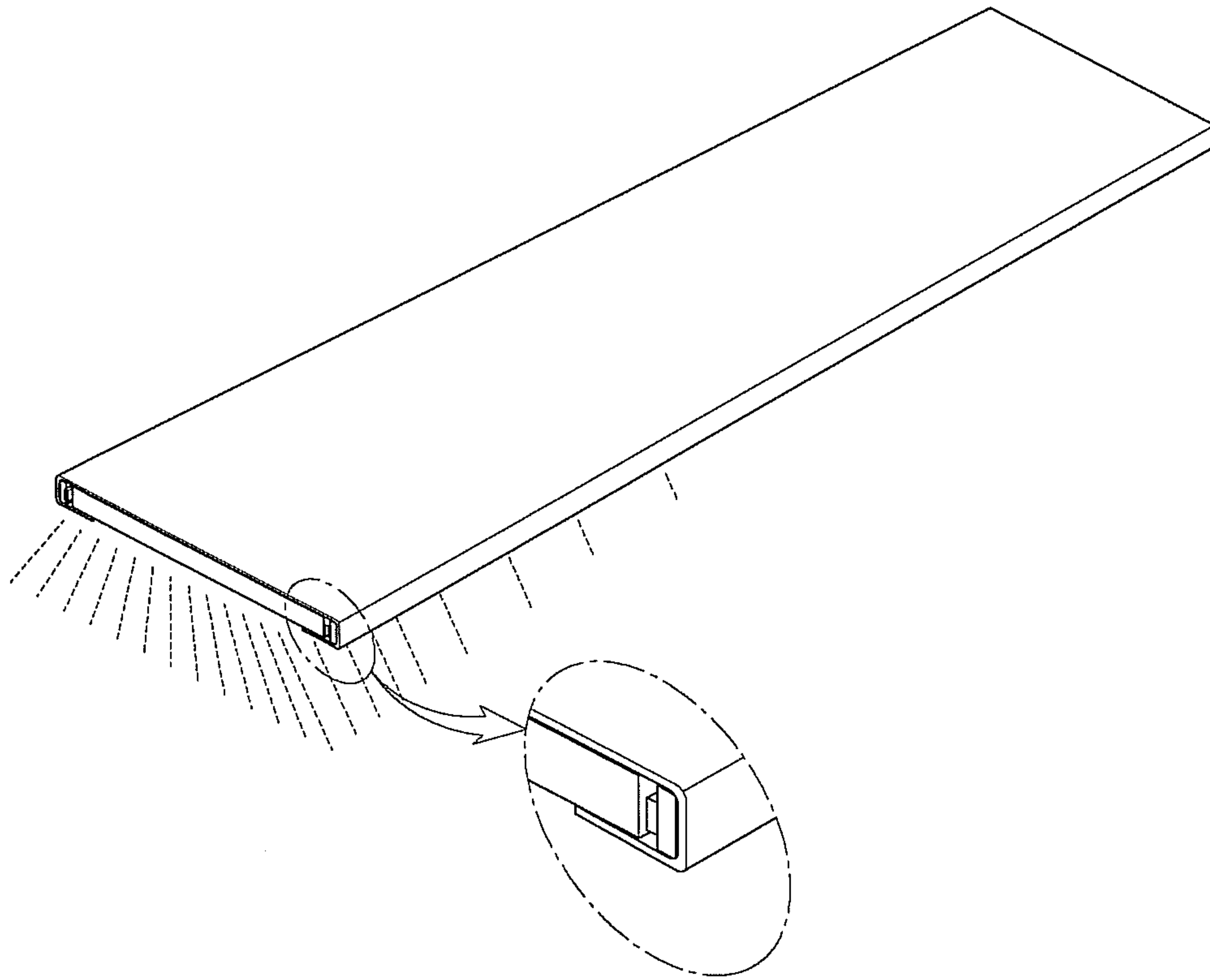


Figure 9

