



US00D680674S

(12) **United States Design Patent**
Jepson

(10) **Patent No.:** **US D680,674 S**
(45) **Date of Patent:** **** Apr. 23, 2013**

(54) **LIGHT**

(75) Inventor: **Raymond Jepson**, Montreal (CA)

(73) Assignee: **Artika for Living Inc.**, Dorval (CA)

(**) Term: **14 Years**

(21) Appl. No.: **29/431,798**

(22) Filed: **Sep. 11, 2012**

(51) **LOC (9) Cl.** **26-03**

(52) **U.S. Cl.**
USPC **D26/87**

(58) **Field of Classification Search** D26/67,
D26/85, 87, 118, 128, 129, 130; 362/147,
362/362, 431, 432, 367

See application file for complete search history.

(56) **References Cited**

U.S. PATENT DOCUMENTS

1,707,829	A *	4/1929	Wagner	362/432
D82,136	S *	9/1930	Chapman	D26/87
D152,994	S *	3/1949	McCann	D26/87
2,523,818	A *	9/1950	Cortes	362/432
D403,097	S *	12/1998	Littman	D26/87
D465,298	S *	11/2002	Gottwald	D26/85
D558,381	S *	12/2007	Horn et al.	D26/85

D564,693	S *	3/2008	Ziliani	D26/85
7,473,016	B2 *	1/2009	Flaherty et al.	362/431
D609,388	S *	2/2010	Sabernig	D26/85

OTHER PUBLICATIONS

PLC Lighting Contemporary Satin Nickel Wall Sconce. Found at lightinguniverse.com, visited Sep. 14, 2009.*
CSL Lighting Contemporary Satin Aluminum 2 Light Wall Sconce. Found at lightinguniverse.com, visited Sep. 14, 2009.*

* cited by examiner

Primary Examiner — Clare E Heflin

(74) *Attorney, Agent, or Firm* — Brouillette & Partners;
François Cartier; Robert Brouillette

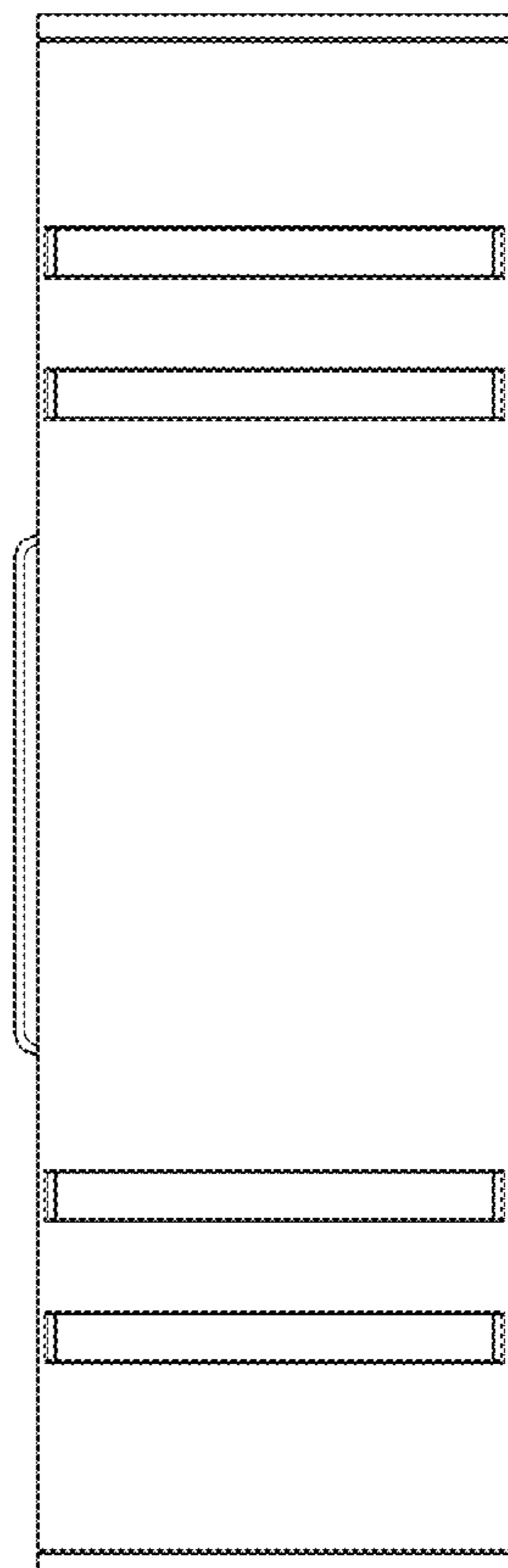
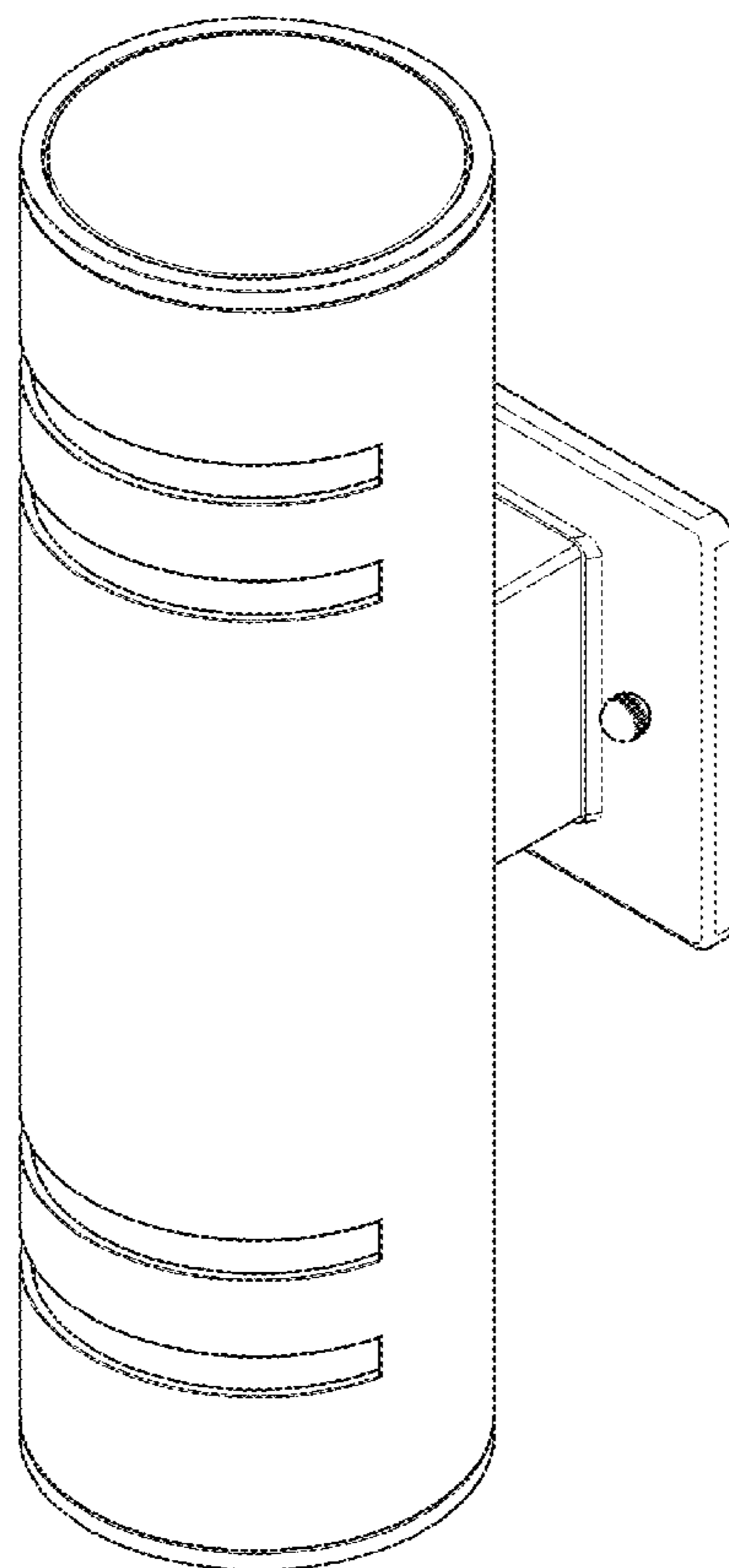
(57) **CLAIM**

The ornamental design for a light, as shown.

DESCRIPTION

FIG. 1 is a front top perspective view of the light;
FIG. 2 is a front bottom perspective view of the light;
FIG. 3 is a top view of the light;
FIG. 4 is a bottom view of the light;
FIG. 5 is a left side view of the light;
FIG. 6 is a front view of the light;
FIG. 7 is a right side view of the light; and,
FIG. 8 is a rear view of the light.

1 Claim, 8 Drawing Sheets



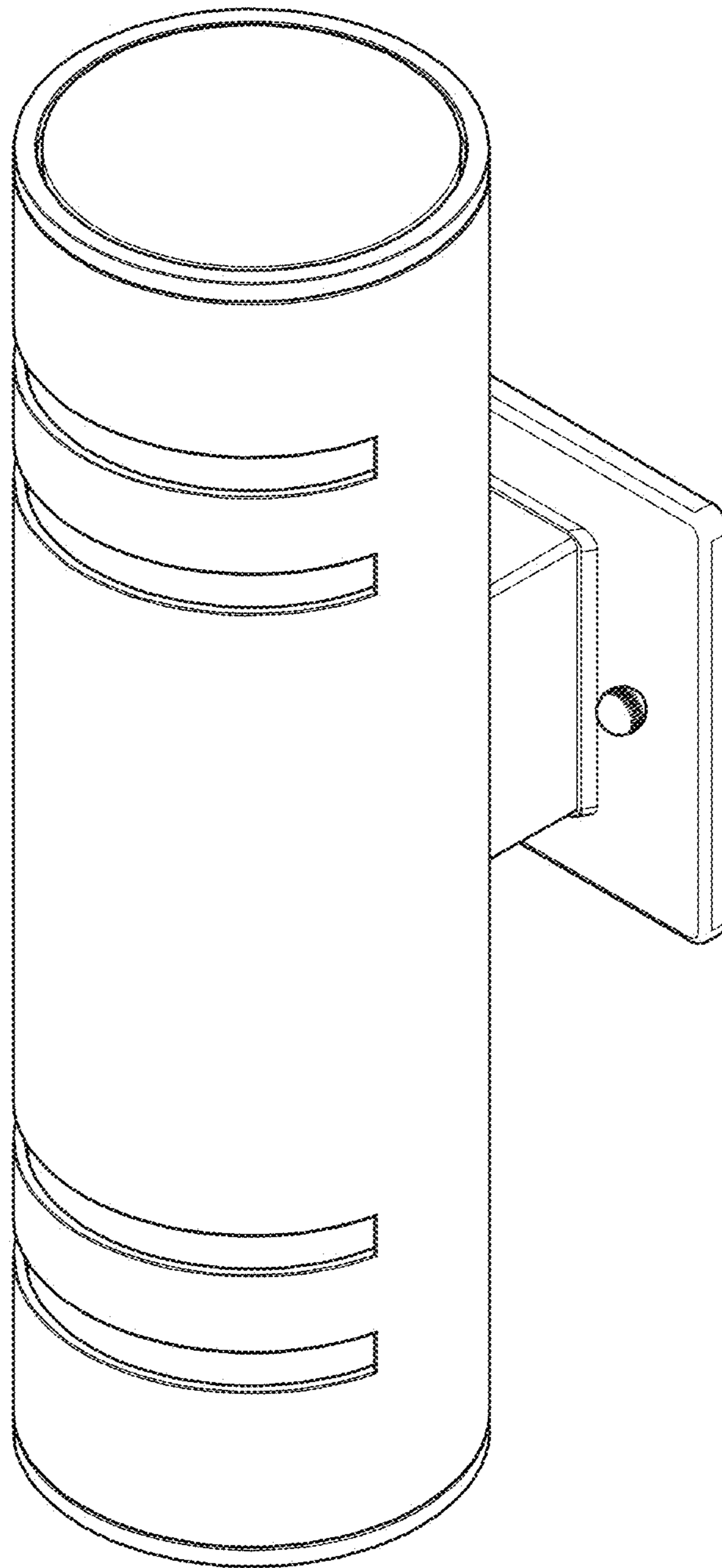


FIG. 1

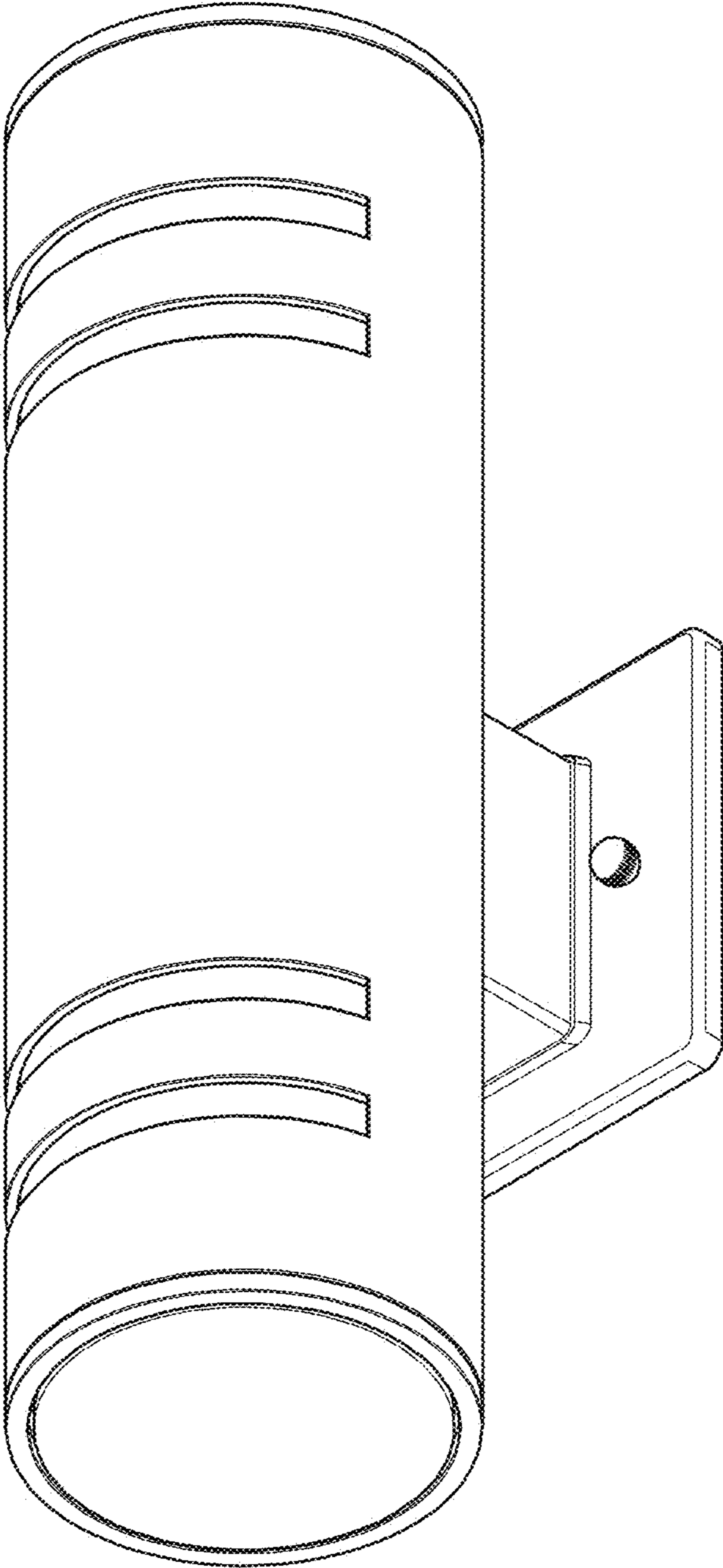


FIG. 2

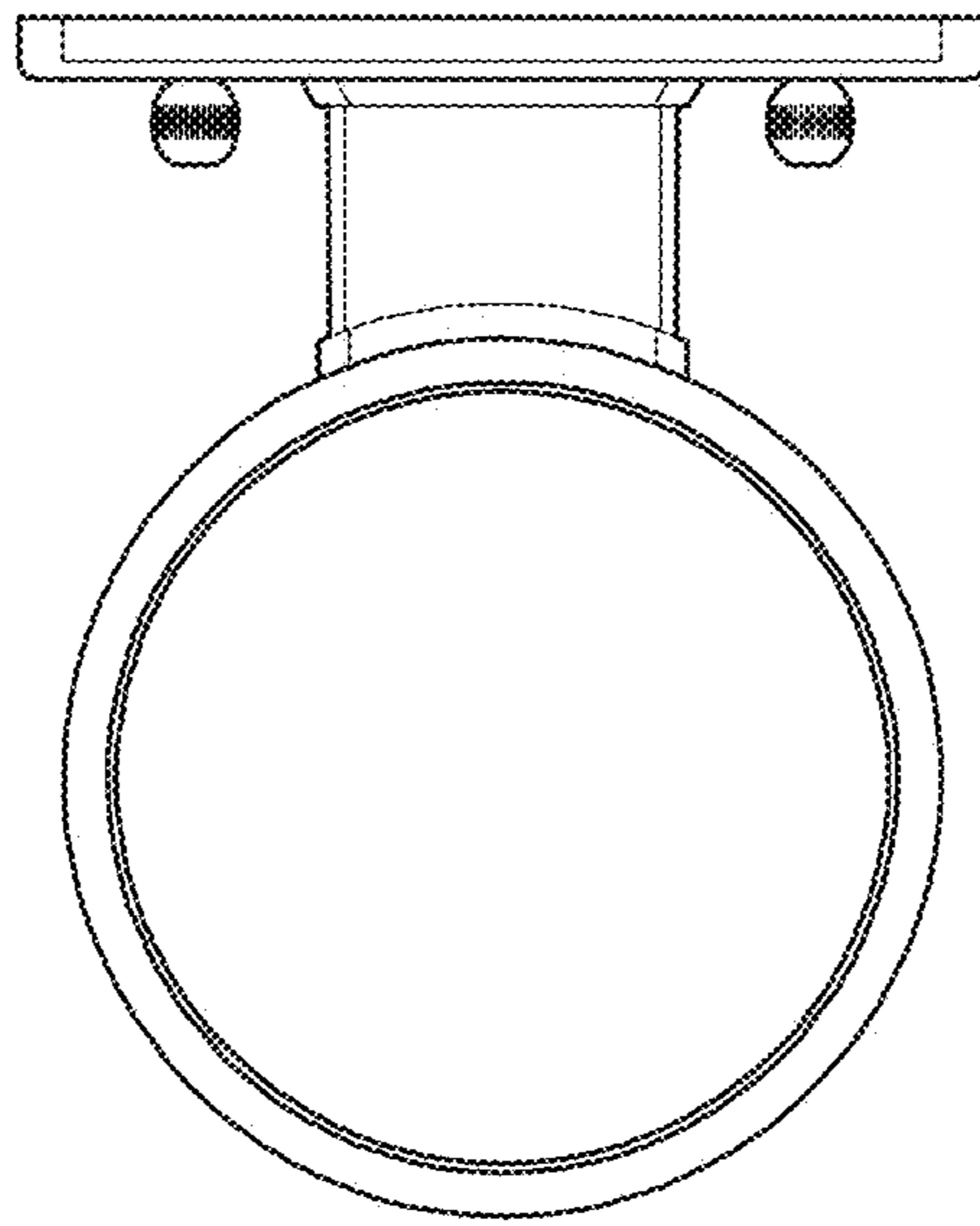


FIG. 3

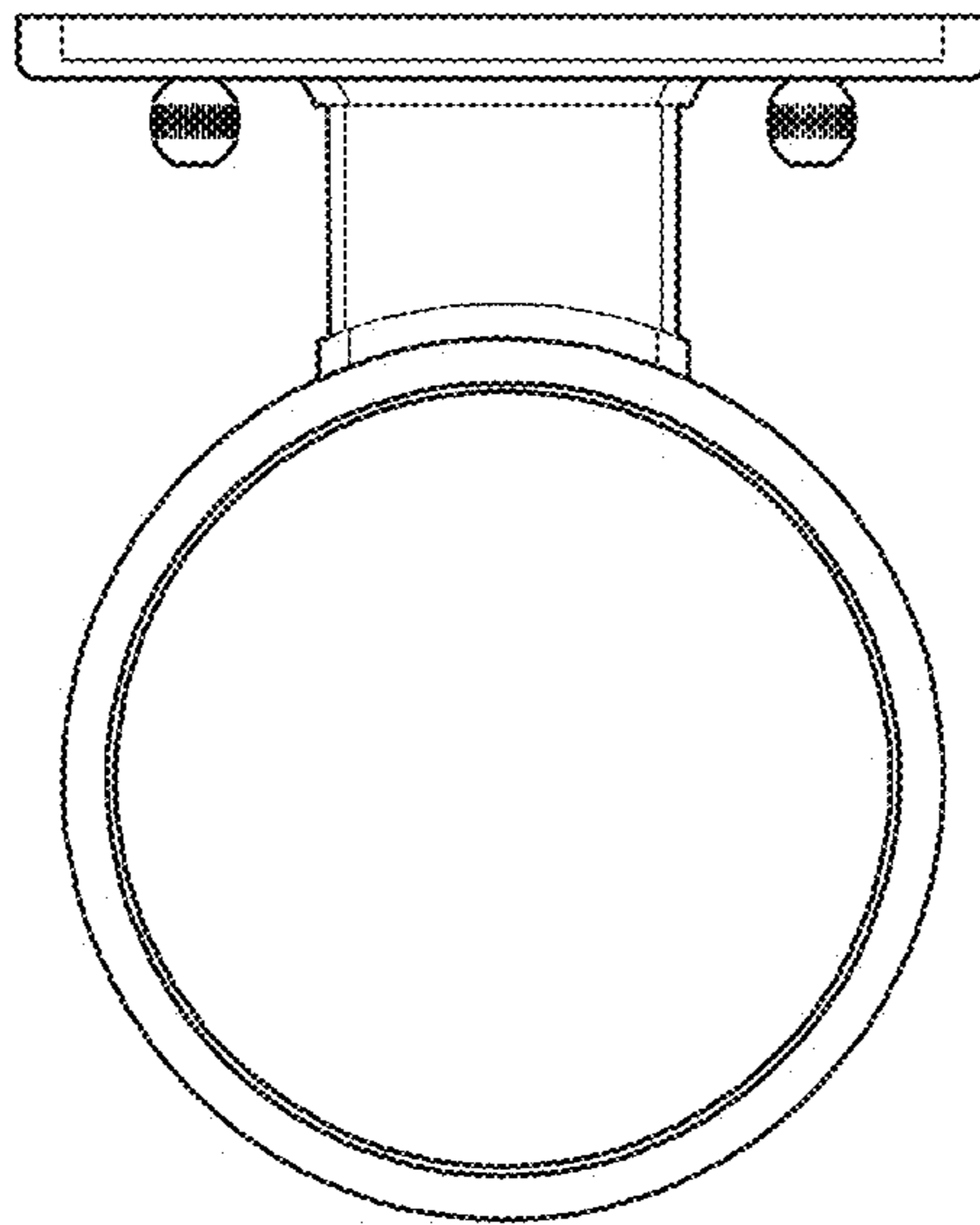


FIG. 4

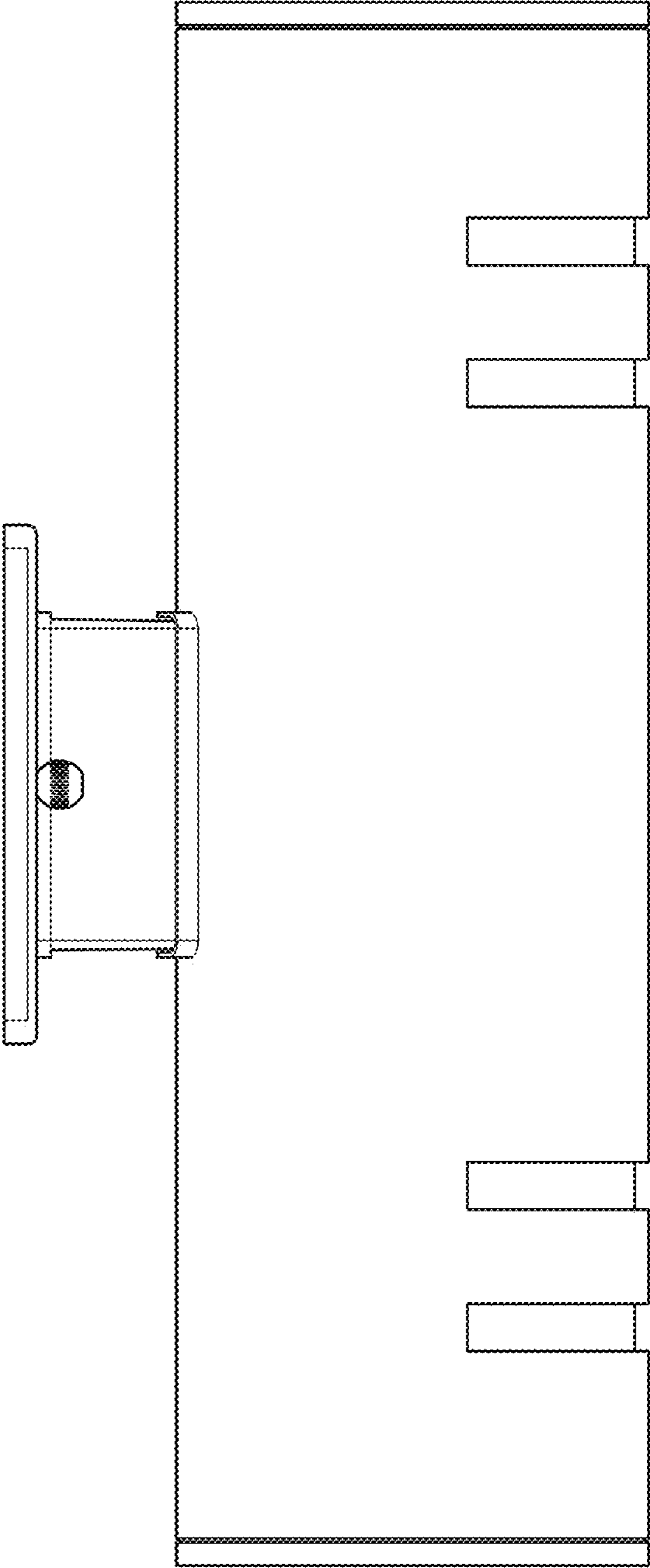


FIG. 5

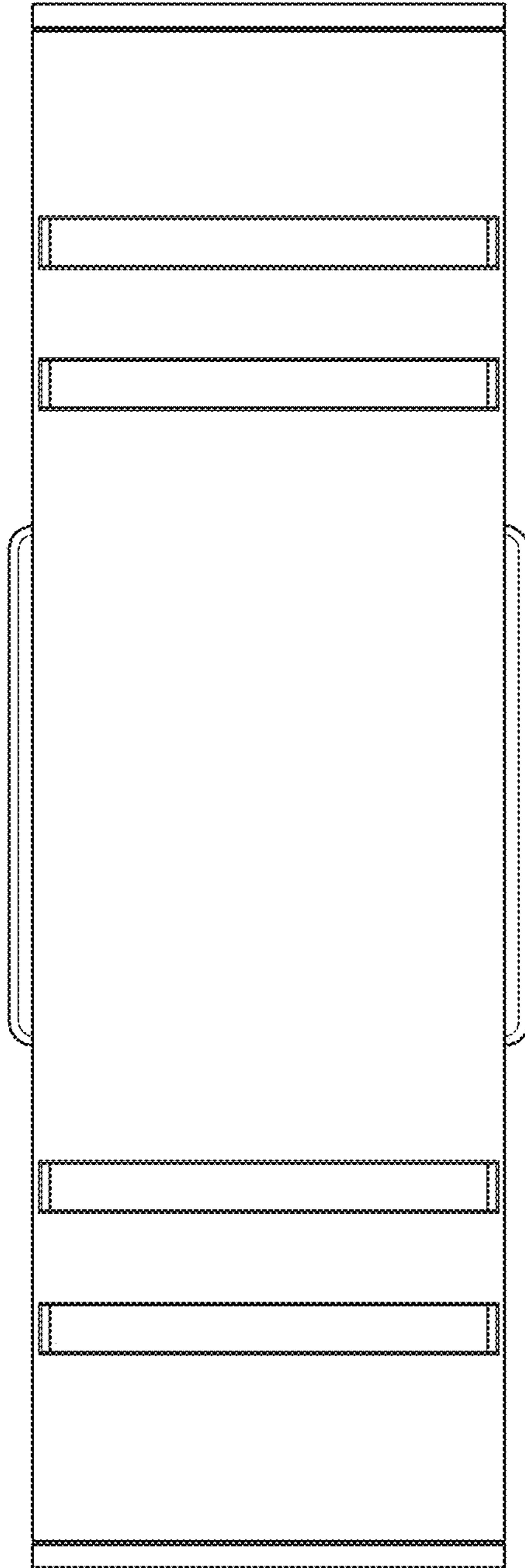


FIG. 6

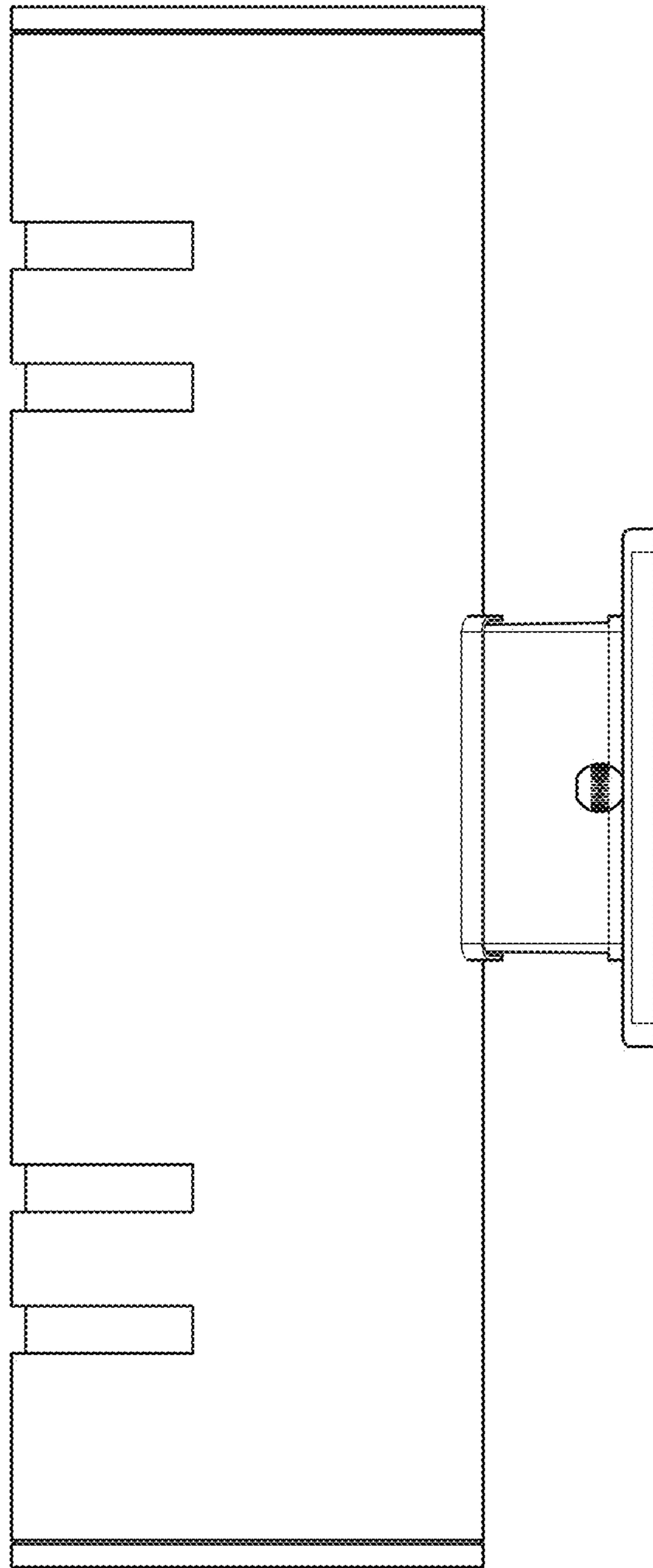


FIG. 7

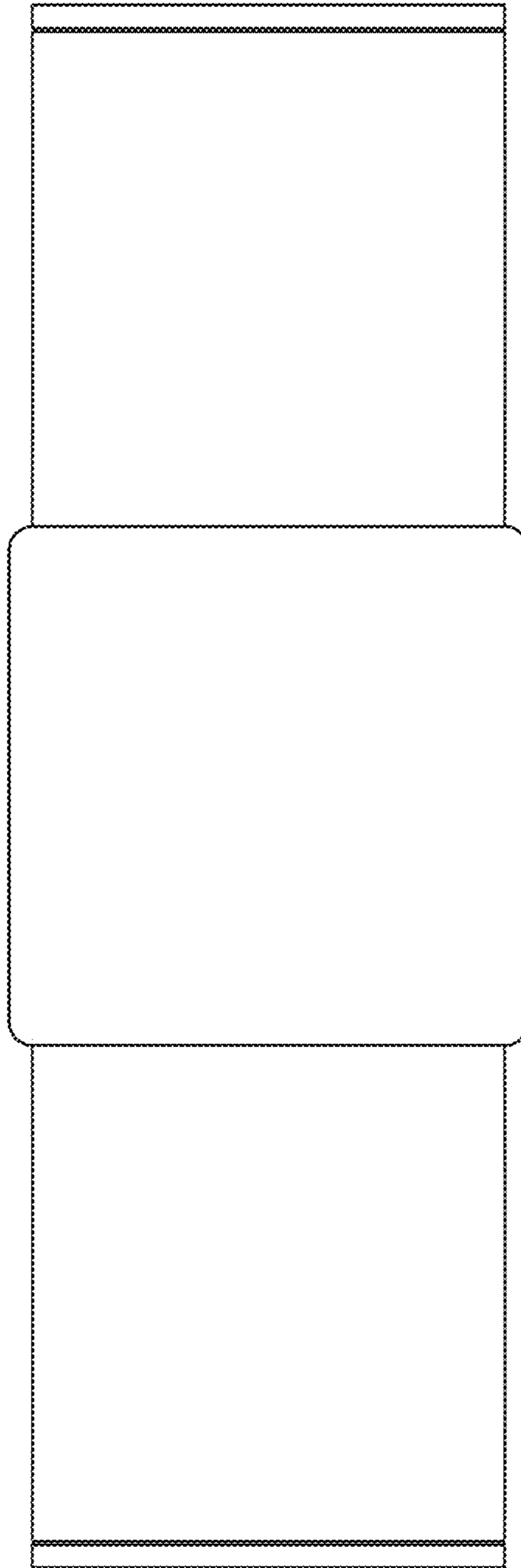


FIG. 8