



US00D680672S

(12) **United States Design Patent**  
**Sharrah**

(10) **Patent No.:** **US D680,672 S**

(45) **Date of Patent:** **\*\* Apr. 23, 2013**

(54) **PORTABLE LIGHT**

(75) Inventor: **Raymond L. Sharrah**, Collegeville, PA (US)

(73) Assignee: **Streamlight, Inc.**, Eagleville, PA (US)

(\*\*) Term: **14 Years**

(21) Appl. No.: **29/367,099**

(22) Filed: **Aug. 3, 2010**

(51) **LOC (9) Cl.** ..... **26-02**

(52) **U.S. Cl.**  
USPC ..... **D26/37**

(58) **Field of Classification Search** ..... D26/37,  
D26/38, 39, 42, 44, 45, 46, 48, 50, 51; 362/157,  
362/158, 183-189, 194-208

See application file for complete search history.

(56) **References Cited**

U.S. PATENT DOCUMENTS

D139,628	S	*	12/1944	Chapman	.....	D26/37
2,539,974	A		1/1951	Riddell		
2,612,598	A		9/1952	Berman		
2,949,612	A		8/1960	Kafko et al.		
RE31,458	E		12/1983	Trattner		
D296,827	S		7/1988	Yuen		
D306,212	S	*	2/1990	Holterscheidt	.....	D26/44
D328,144	S		7/1992	Yuen		
D332,839	S	*	1/1993	Beckner, Jr.	.....	D26/37
D344,358	S		2/1994	Yuen		
D349,776	S		8/1994	Yuen		
D413,993	S		9/1999	Yuen		
6,022,119	A		2/2000	Booty, Jr.		
D425,642	S		5/2000	Zeller		
6,142,644	A		11/2000	Leung		
6,469,619	B1		10/2002	Mayercheck et al.		
6,764,202	B1		7/2004	Herring et al.		
6,905,223	B2		6/2005	Halasz		

6,953,260	B1		10/2005	Allen		
D518,584	S	*	4/2006	Chan	.....	D26/37
7,021,783	B2		4/2006	Quittner		
7,033,036	B2		4/2006	Pederson		
7,048,403	B2		5/2006	Parker et al.		
D548,384	S	*	8/2007	Komar	.....	D26/60
D549,379	S		8/2007	Sharrah et al.		

(Continued)

OTHER PUBLICATIONS

SureFire, LLC, "Headlamps", <http://www.surefire.com/headlamps>,  
© 2010, 3 pages.

(Continued)

*Primary Examiner* — Ian Simmons  
*Assistant Examiner* — Carissa C Fitts  
(74) *Attorney, Agent, or Firm* — Clement A. Berard, Esq.;  
Dann, Dorfman, Herrell & Skillman, PC

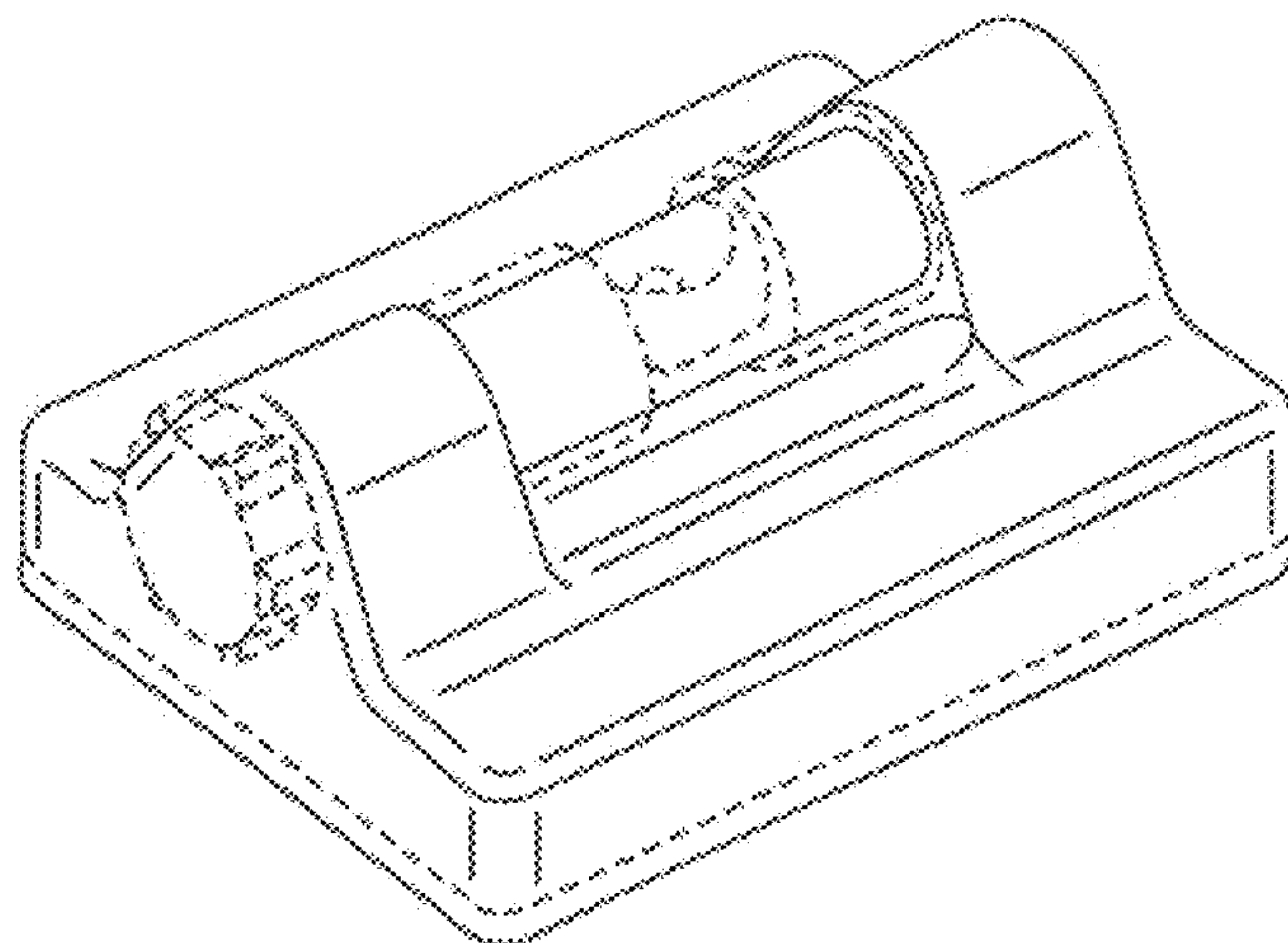
(57) **CLAIM**

The ornamental design for a portable light, substantially as shown and described.

**DESCRIPTION**

FIG. 1 is a perspective view of an ornamental design for a portable light;  
FIG. 2 is a side view of a first side thereof, of which the opposite side is a mirror image;  
FIG. 3 is a side view of a second side thereof;  
FIG. 4 is a side view of a third side thereof;  
FIG. 5 is an end view of a first end thereof; and,  
FIG. 6 is an end view of a second end thereof.  
Broken lines in the illustrations of the drawing indicate unclaimed parts of the article and/or unclaimed environment that are not part of the design herein.

**1 Claim, 1 Drawing Sheet**



U.S. PATENT DOCUMENTS

7,306,348	B2	12/2007	Quittner	
D589,186	S *	3/2009	Coushaine et al.	D26/37
7,497,584	B1	3/2009	Quittner	
7,513,662	B2	4/2009	Parker et al.	
D595,875	S *	7/2009	Irvine	D26/24
D645,179	S *	9/2011	Gulker	D26/37
D647,229	S *	10/2011	Ma	D26/37
8,066,396	B2	11/2011	Hunt	
D650,933	S *	12/2011	Cheng	D26/37
D655,433	S	3/2012	Levine	
D667,404	S	9/2012	Akana et al.	
2002/0191396	A1	12/2002	Reiff et al.	
2003/0112624	A1	6/2003	Quittner	
2005/0041428	A1	2/2005	Zhang	
2007/0159809	A1	7/2007	Kim et al.	
2007/0159810	A1	7/2007	Kim	
2007/0171629	A1	7/2007	Langenwalter	
2009/0290335	A1	11/2009	Levine	
2010/0002421	A1	1/2010	Arnold, III	
2010/0165609	A1	7/2010	Sohn	
2010/0165633	A1	7/2010	Moolman et al.	

OTHER PUBLICATIONS

Underwater Kinetics, “Vizion eLED—Waterproof LED Headlamp”, © 2007, 1 page.  
 Cat Eye Co., Ltd., “Headlights”, [http://www.cateye.com/en/product . . .](http://www.cateye.com/en/product...), © 2010, 23 pages.  
 Lab Safety Supply, “Bright Star® WorkSafe® Razor Zone Zero Flashlight”, © 2011 GHC Specialty Brands, LLC, [www.labsafety.com/bright-star-worksafe-razor-zone-zero-flashlight\\_24535811](http://www.labsafety.com/bright-star-worksafe-razor-zone-zero-flashlight_24535811), 2 pages.  
 Global Stores Group Industrial & Safety Division, “Bright Star Razor LED Flashlights”, © 2006, [www.allsafetysupplies.com/bright-star-razor-LED-flashlights\\_p\\_14674](http://www.allsafetysupplies.com/bright-star-razor-LED-flashlights_p_14674), 3 pages.  
 Bright Star, “Product Data Sheet: Razor 3AA-cell LED Flashlight”, date prior to May 5, 2011, 1 pg.  
 International Searching Authority/US, “International Search Report—Application No. PCT/US2011/046119”, Dec. 12, 2011, 2 pages.

\* cited by examiner

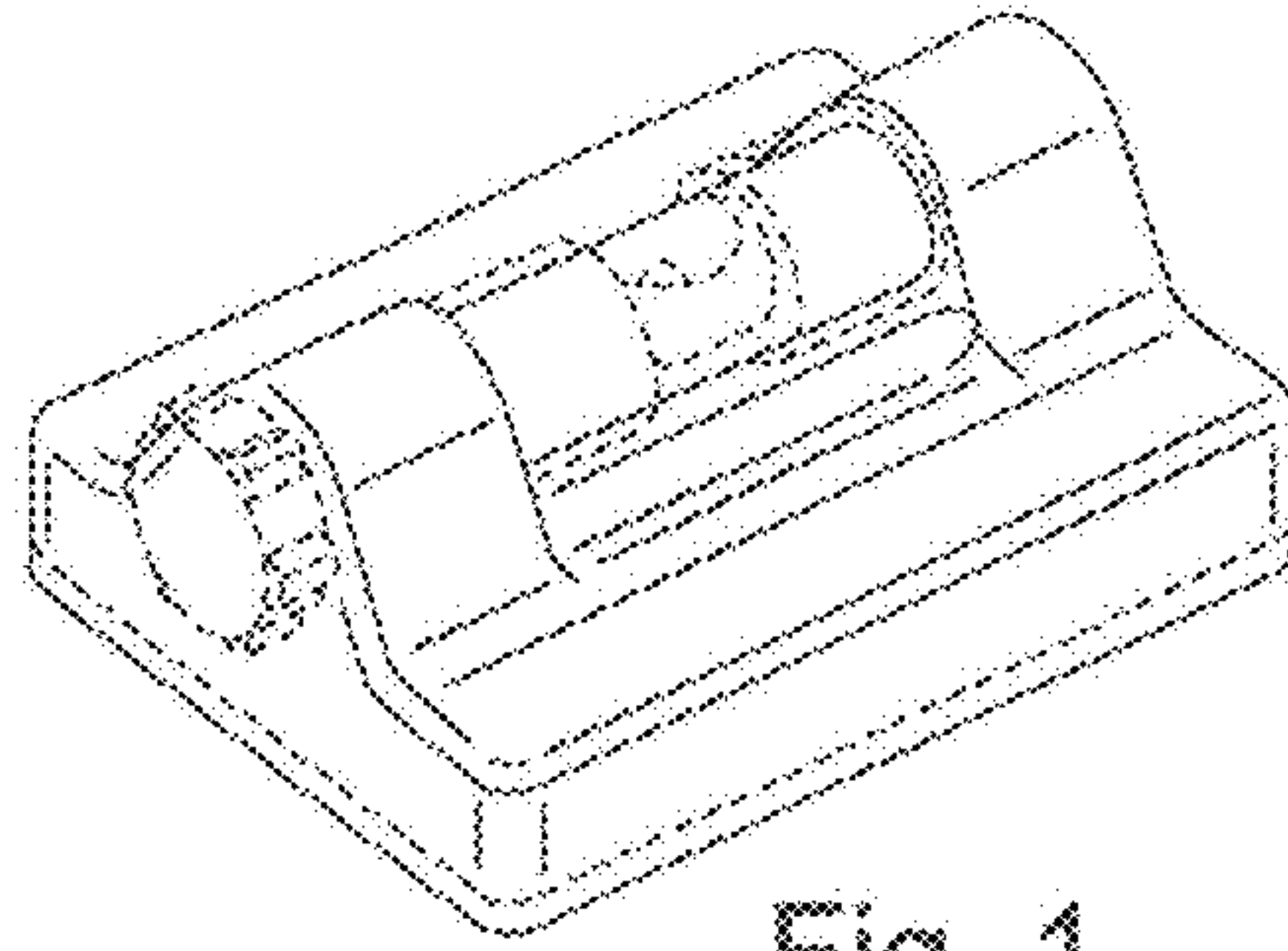


Fig. 1

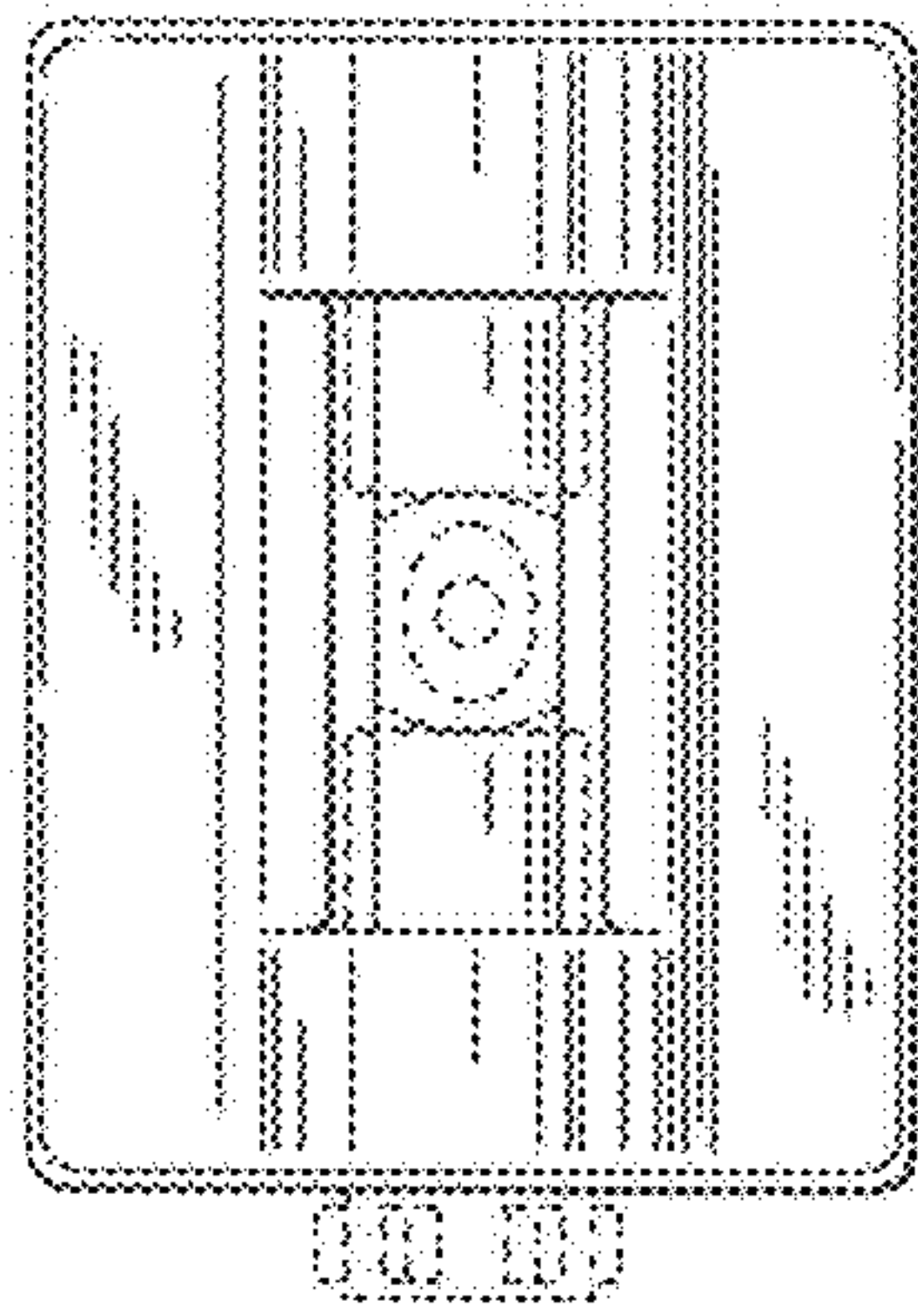


Fig. 2

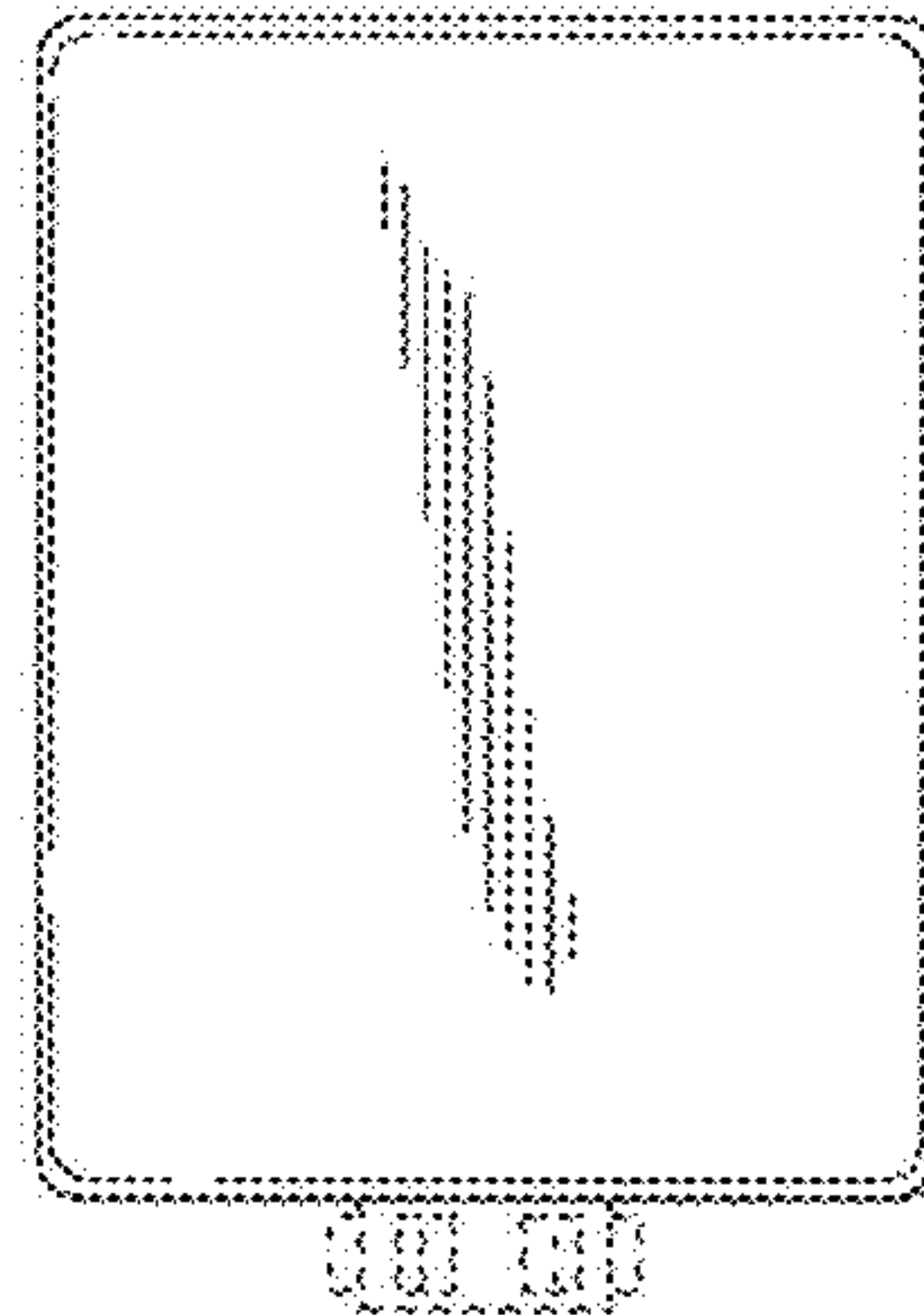


Fig. 3

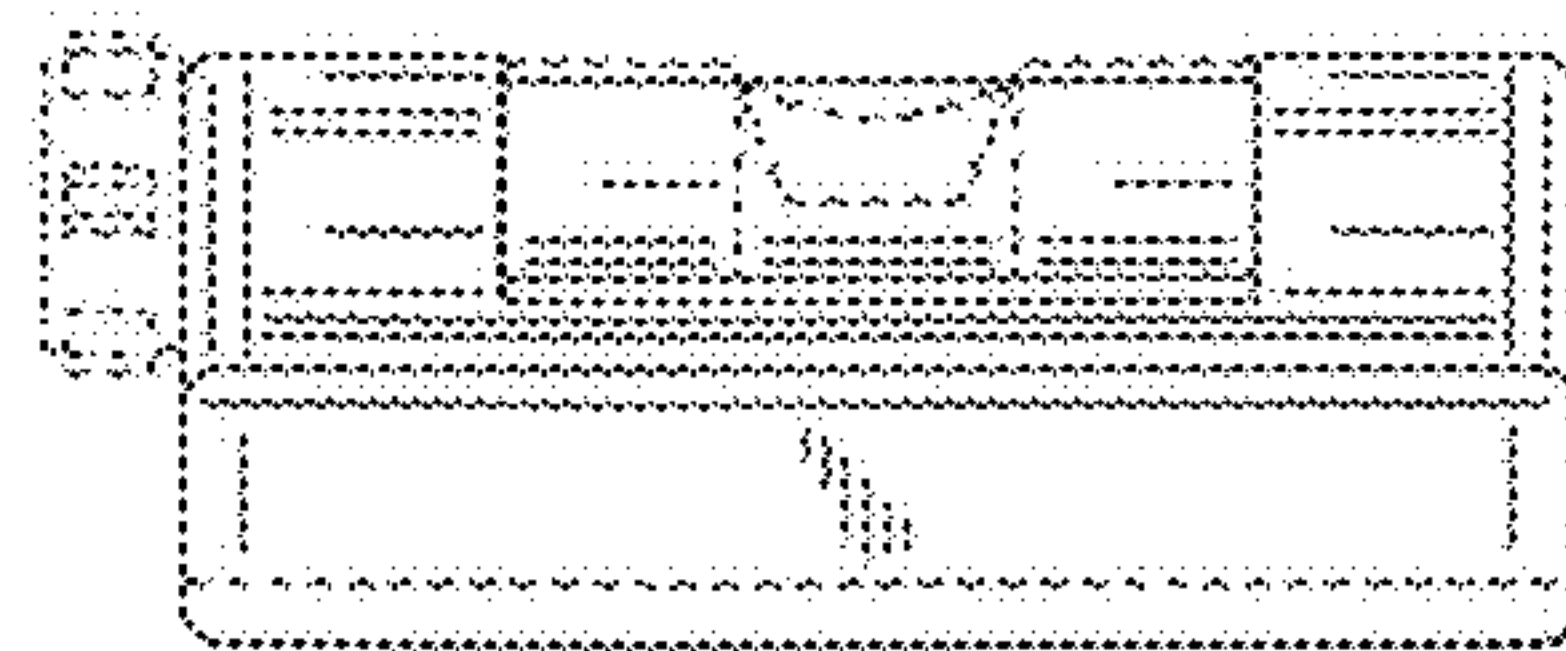


Fig. 4

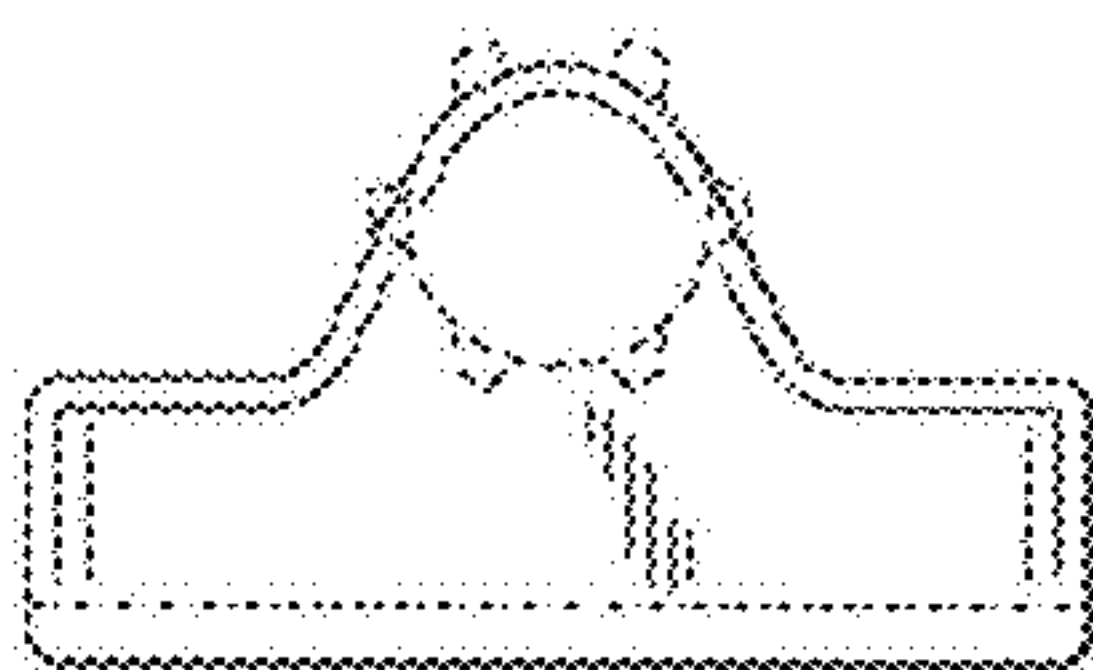


Fig. 5

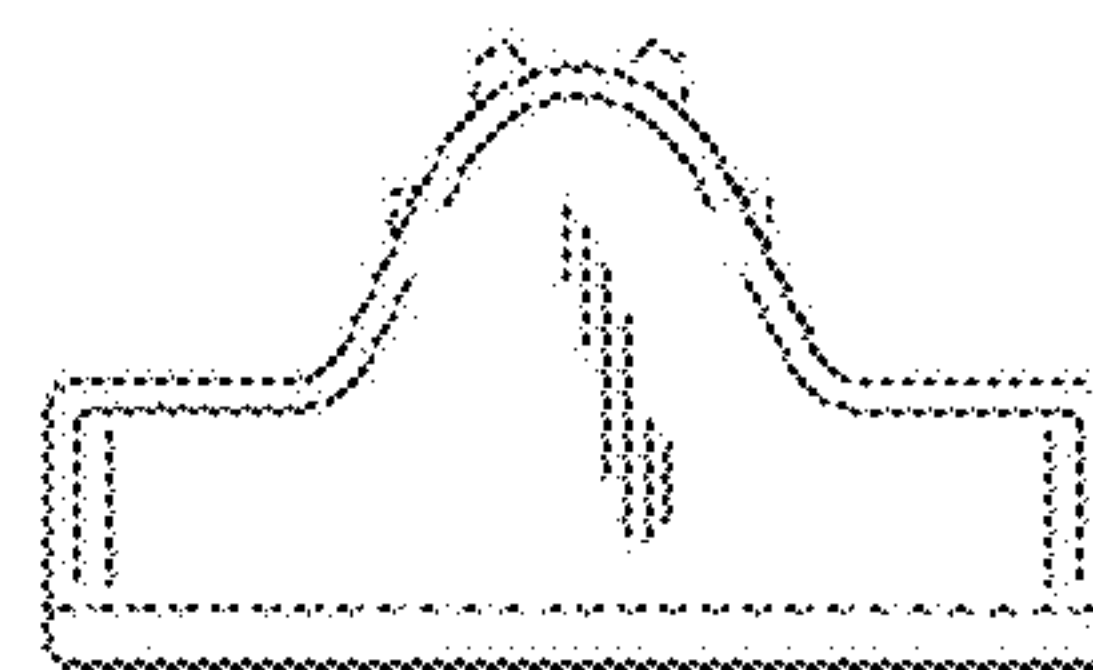


Fig. 6